



US00D408334S

United States Patent [19]
Fortunato

[11] **Patent Number: Des. 408,334**
[45] **Date of Patent: **Apr. 20, 1999**

[54] **MOBILE FOOD STAND**
[76] **Inventor: Walter Fortunato, 690 S. Shore Dr., Miami Beach, Fla. 33141**
[**] **Term: 14 Years**
[21] **Appl. No.: 29/091,246**
[22] **Filed: Jul. 25, 1998**
[51] **LOC (6) CL 12-10**
[52] **U.S. CL D12/102; D34/20**
[58] **Field of Search D12/101-103, D12/105; 280/204, 656, 763.1; D34/12-27; 296/24.1, 181, 122, 173**

D. 251,087 2/1979 Smith D12/102
D. 294,474 3/1988 Pellenz D12/102
D. 380,422 7/1997 Cairney D12/102
D. 395,261 6/1998 Puhl D12/102

Primary Examiner—Kay H. Chin

[57] **CLAIM**

The ornamental design for a mobile food stand, as shown and described.

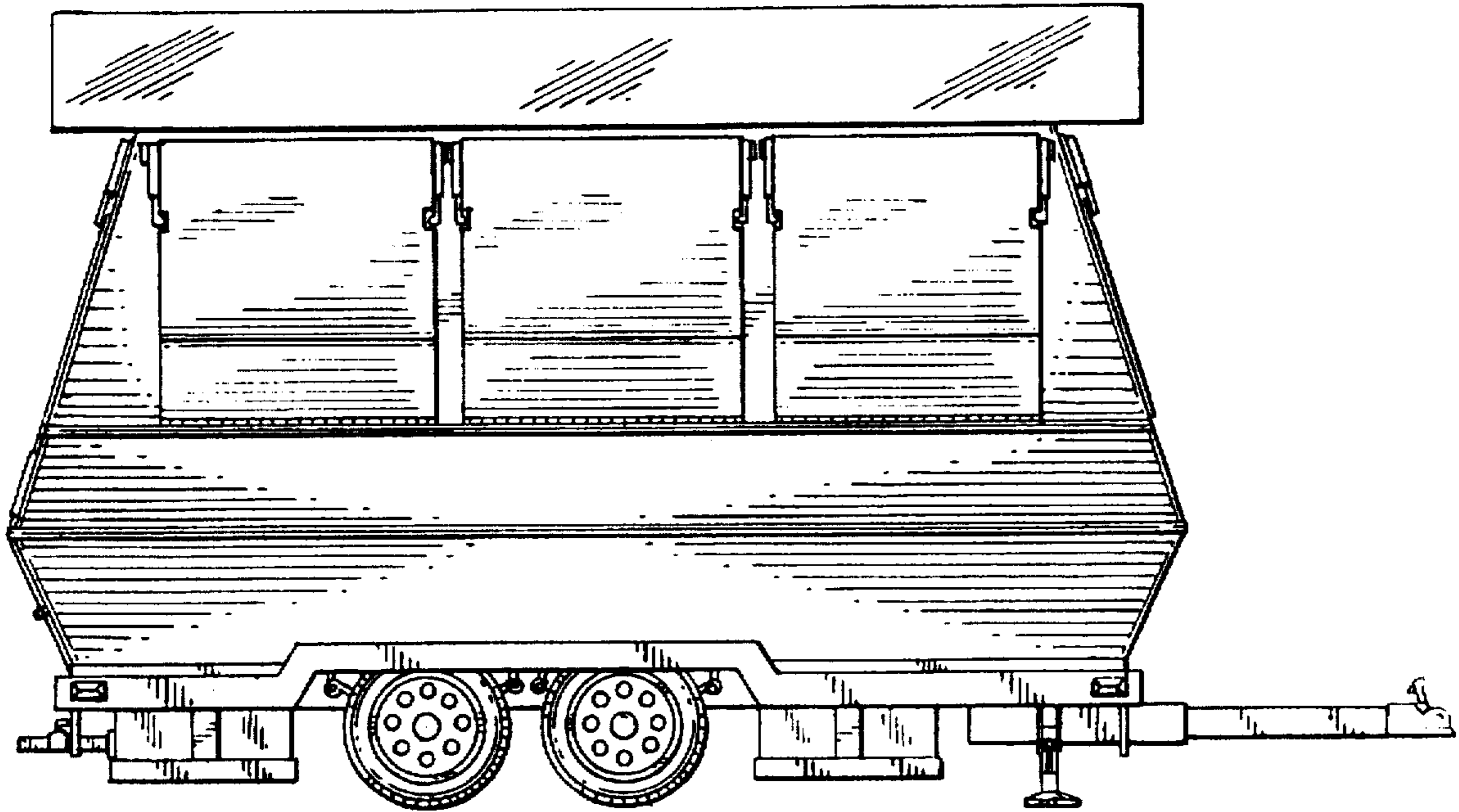
DESCRIPTION

FIG. 1 is a top view of a mobile food stand showing my new design;
FIG. 2 is a front elevational view thereof;
FIG. 3 is a rear elevational view thereof;
FIG. 4 is a bottom view thereof;
FIG. 5 is a side elevational view thereof; and,
FIG. 6 is a side elevational view thereof.

[56] **References Cited**
U.S. PATENT DOCUMENTS

D. 208,695 9/1967 Bouchard D12/103
D. 243,596 3/1977 Ksenych D12/102

1 Claim, 3 Drawing Sheets



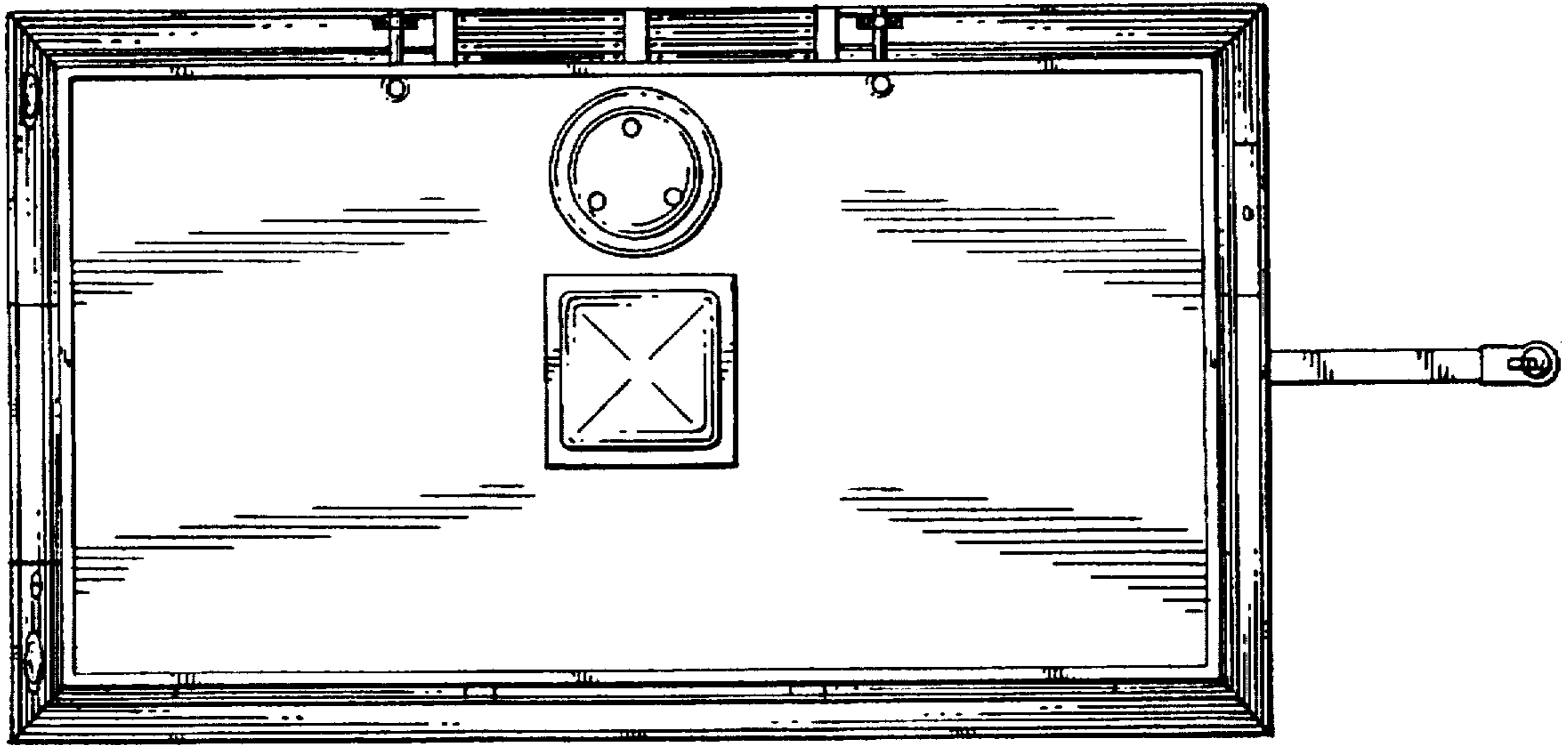


FIG. 1 -

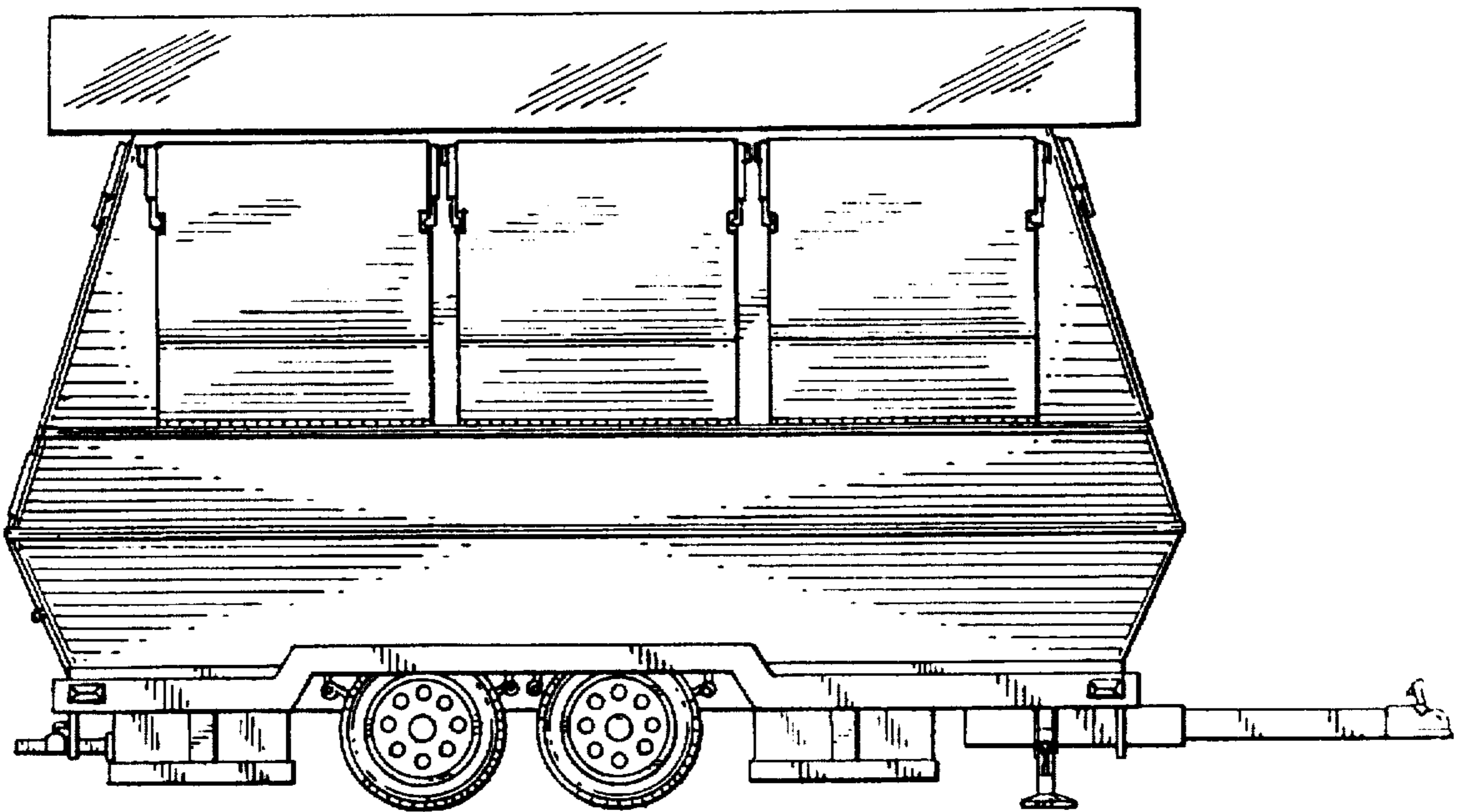


FIG. 2 -

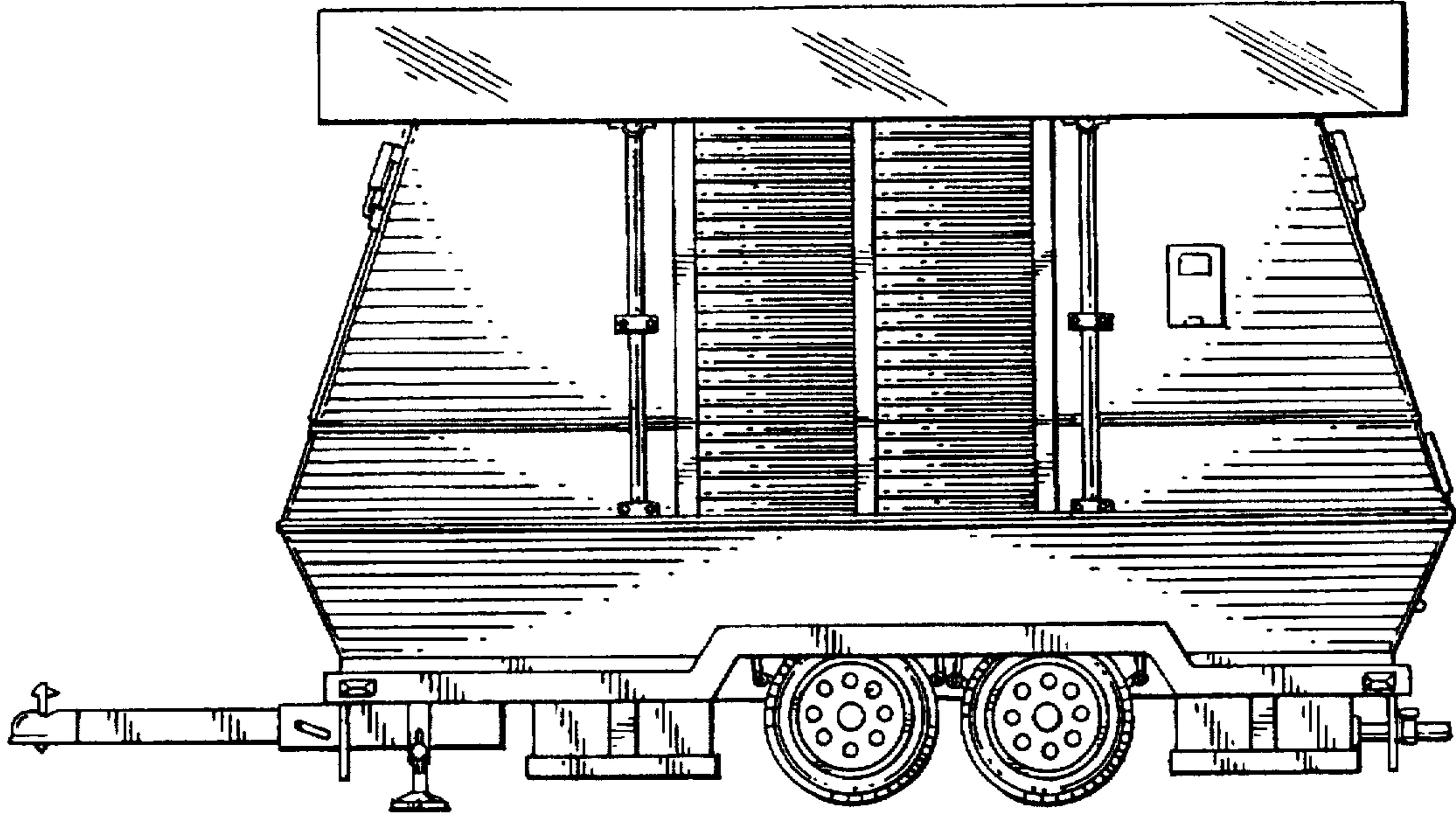


FIG. 3.

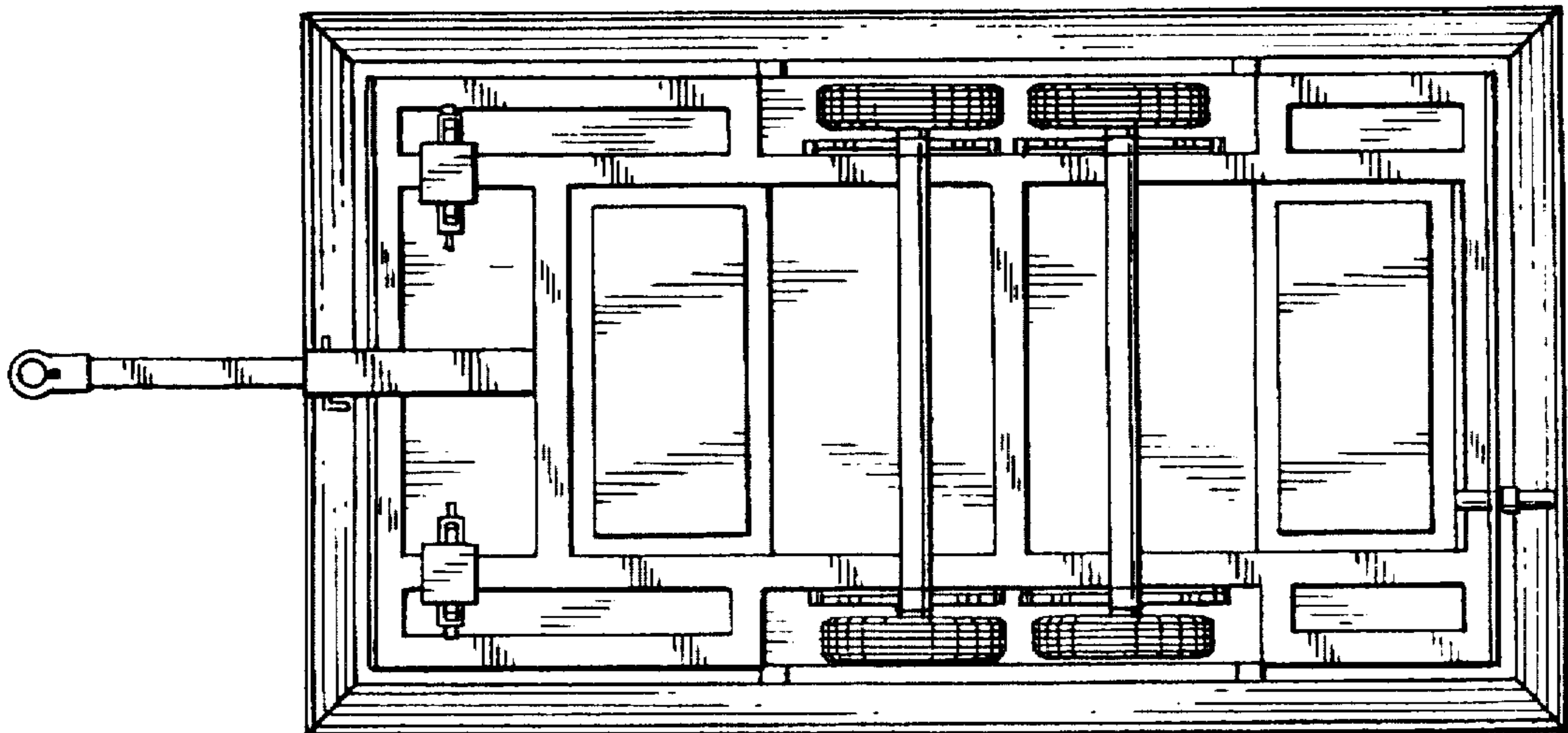


FIG. 4.

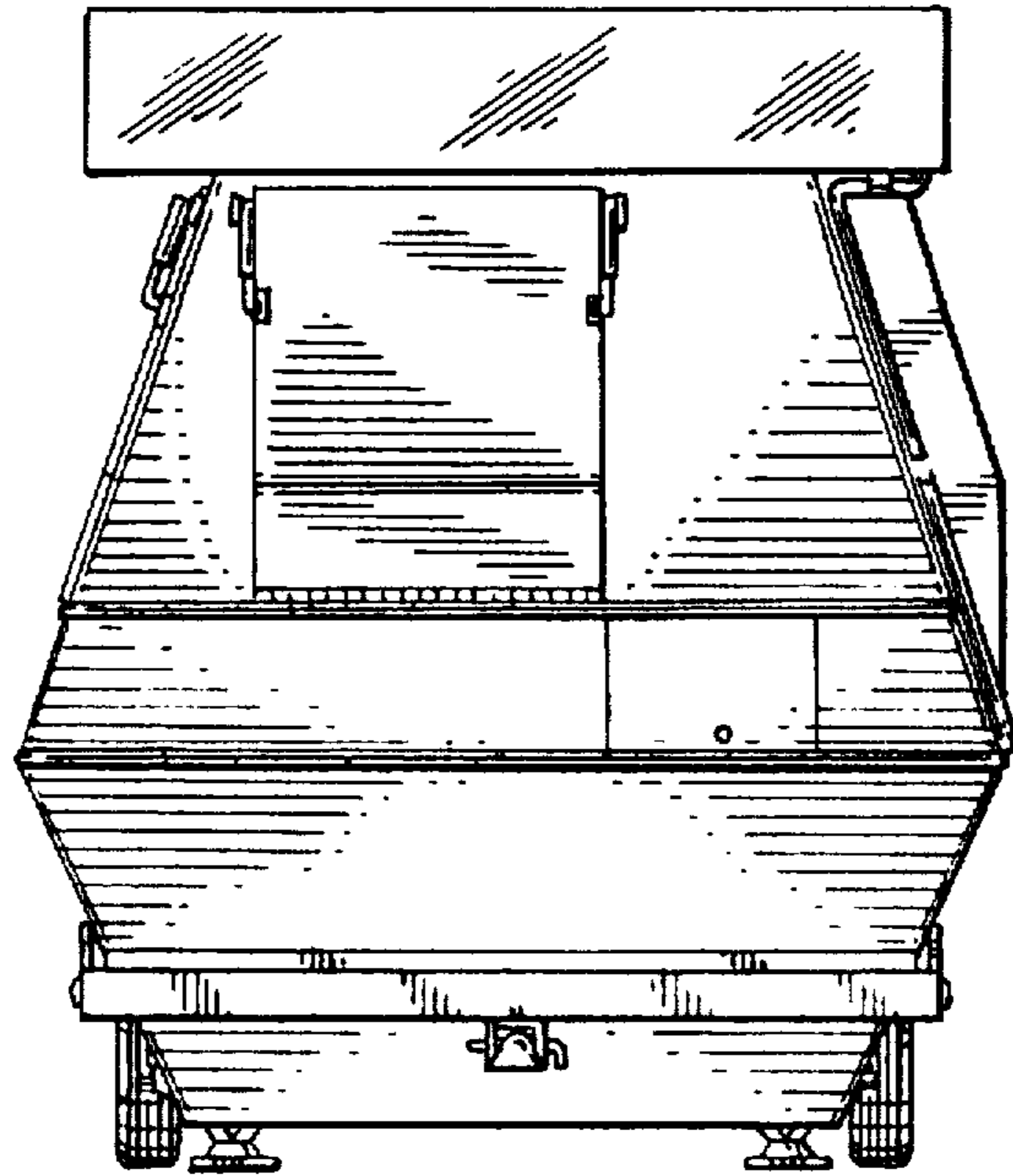


FIG. 5.

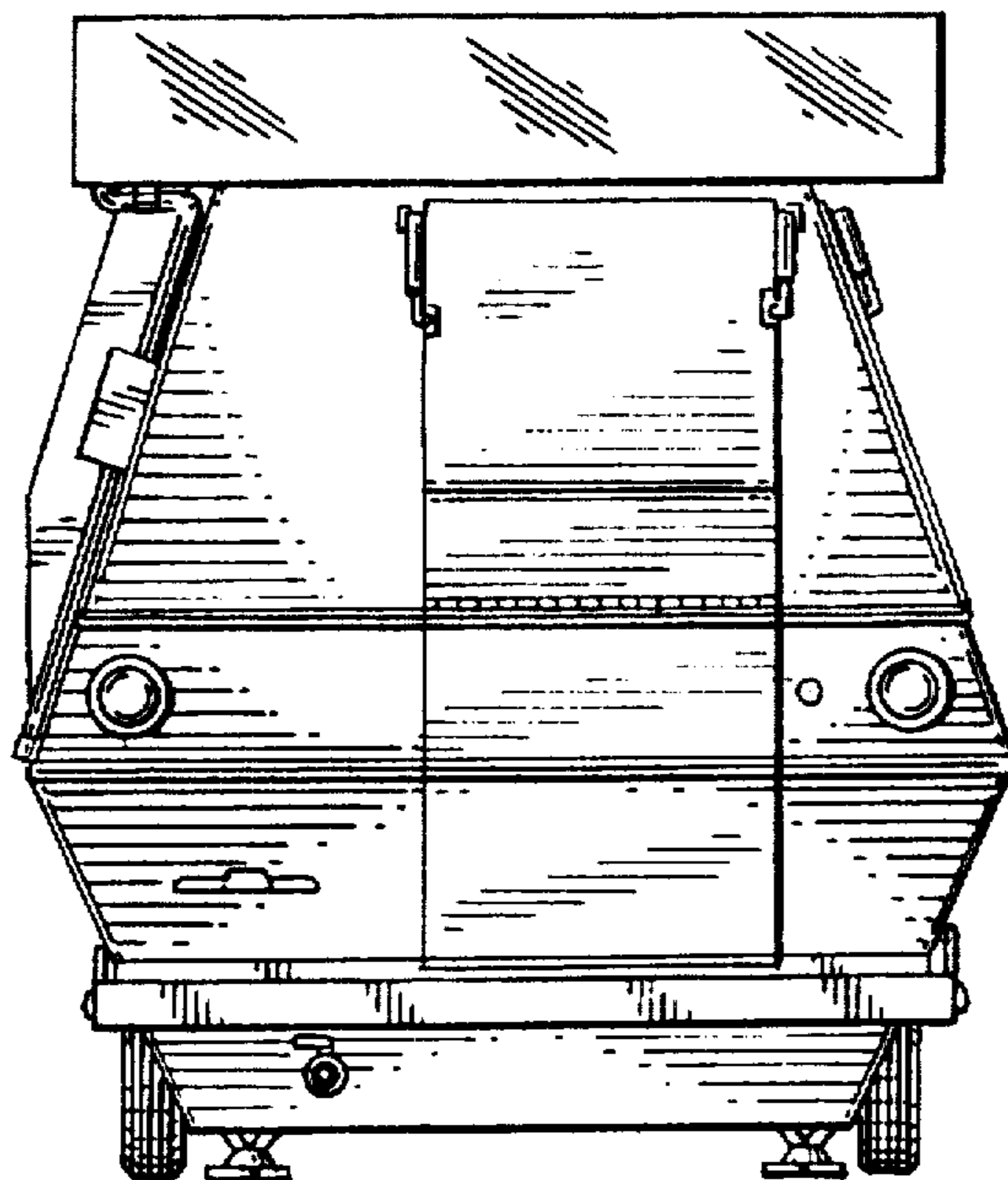


FIG. 6.