



US00D408331S

United States Patent [19]

[11] Patent Number: Des. 408,331

Sacco et al.

[45] Date of Patent: **Apr. 20, 1999

[54] TRUCK CAB

[75] Inventors: Bruno Sacco, Sindelfingen; Peter Pfeiffer, Böblingen; Gerhard Honer, Weil der Stadt, all of Germany

[73] Assignee: Mercedes-Benz AG, Stuttgart, Germany

[**] Term: 14 Years

[21] Appl. No.: 29/073,433

[22] Filed: Jul. 9, 1997

[30] Foreign Application Priority Data

Feb. 6, 1997 [DE] Germany 97 00 891

[51] LOC (6) CL 12-08

[52] U.S. Cl. D12/96

[58] Field of Search D12/96. 97; 296/27, 296/190; 180/89.12, 89.13, 89.14, 89.16

[56] References Cited

U.S. PATENT DOCUMENTS

D. 286,031	10/1986	Breilschwerdt et al.	D12/96
D. 302,257	7/1989	Breitschiverdt et al.	D12/96
D. 344,472	2/1994	Savio	D12/96
D. 367,443	2/1996	Sarro et al.	D12/96
5,282,661	2/1994	Amberger	296/27

Primary Examiner—Melody N. Brown
Attorney, Agent, or Firm—Evenson, McKeown, Edwards & Lenahan, PLLC

[57] CLAIM

The ornamental design for a truck cab, as shown and described.

DESCRIPTION

FIG. 1 is a left side view of a truck cab constructed in accordance with a first embodiment according to our novel design;

FIG. 2 is a front view of a truck cab constructed in accordance with the first embodiment according to our novel design;

FIG. 3 is a rear view of a truck cab constructed in accordance with the first embodiment according to our novel design;

FIG. 4 is a top view of a truck cab constructed in accordance with the first embodiment according to our novel design;

FIG. 5 is a left side view of a truck cab showing a second embodiment of our new design;

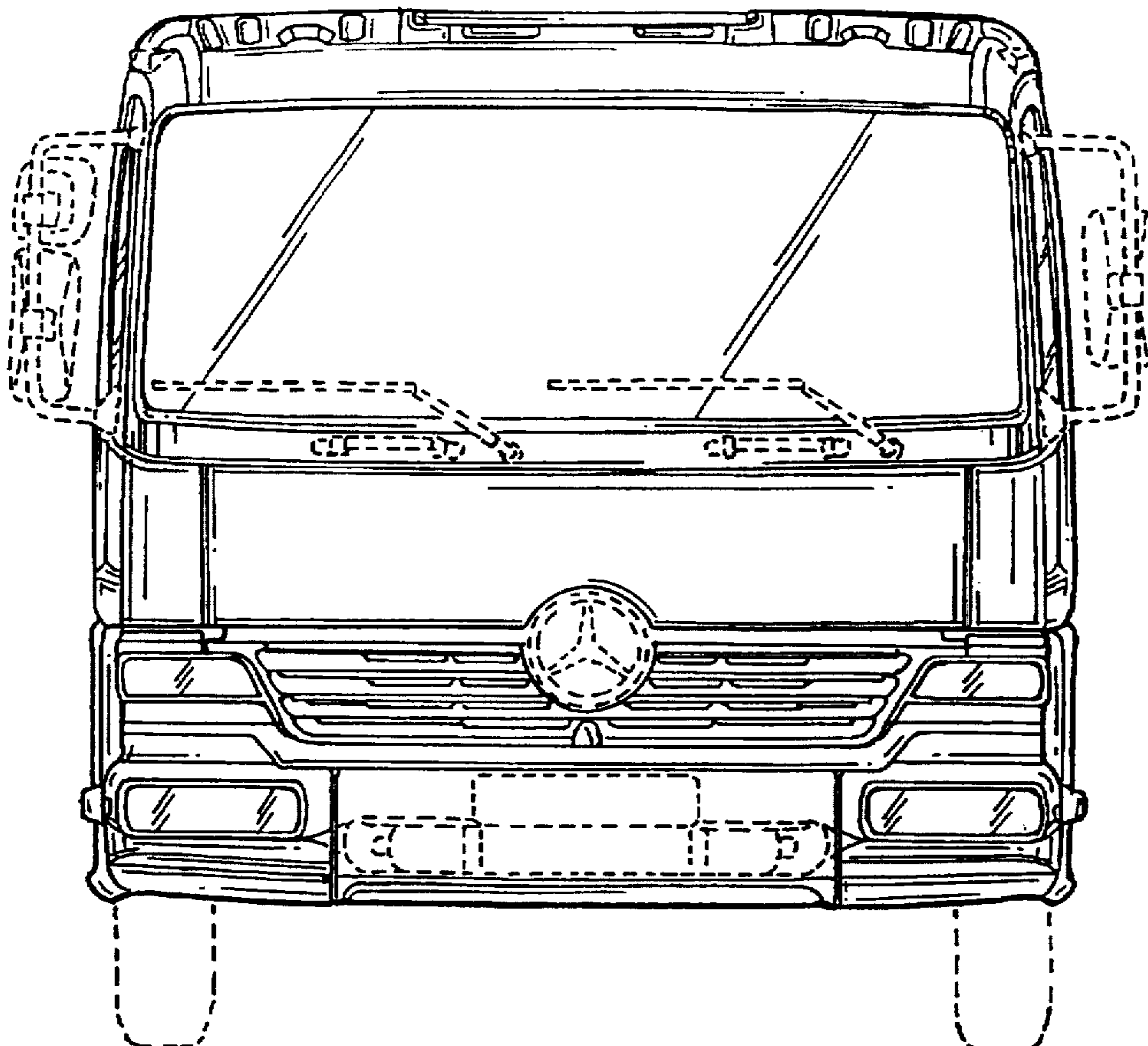
FIG. 6 is a front view of FIG. 5;

FIG. 7 is a rear view of FIG. 5; and,

FIG. 8 is a top view of FIG. 5.

Features shown in dash lines depict the environment and do not form part of the claimed design.

1 Claim, 4 Drawing Sheets



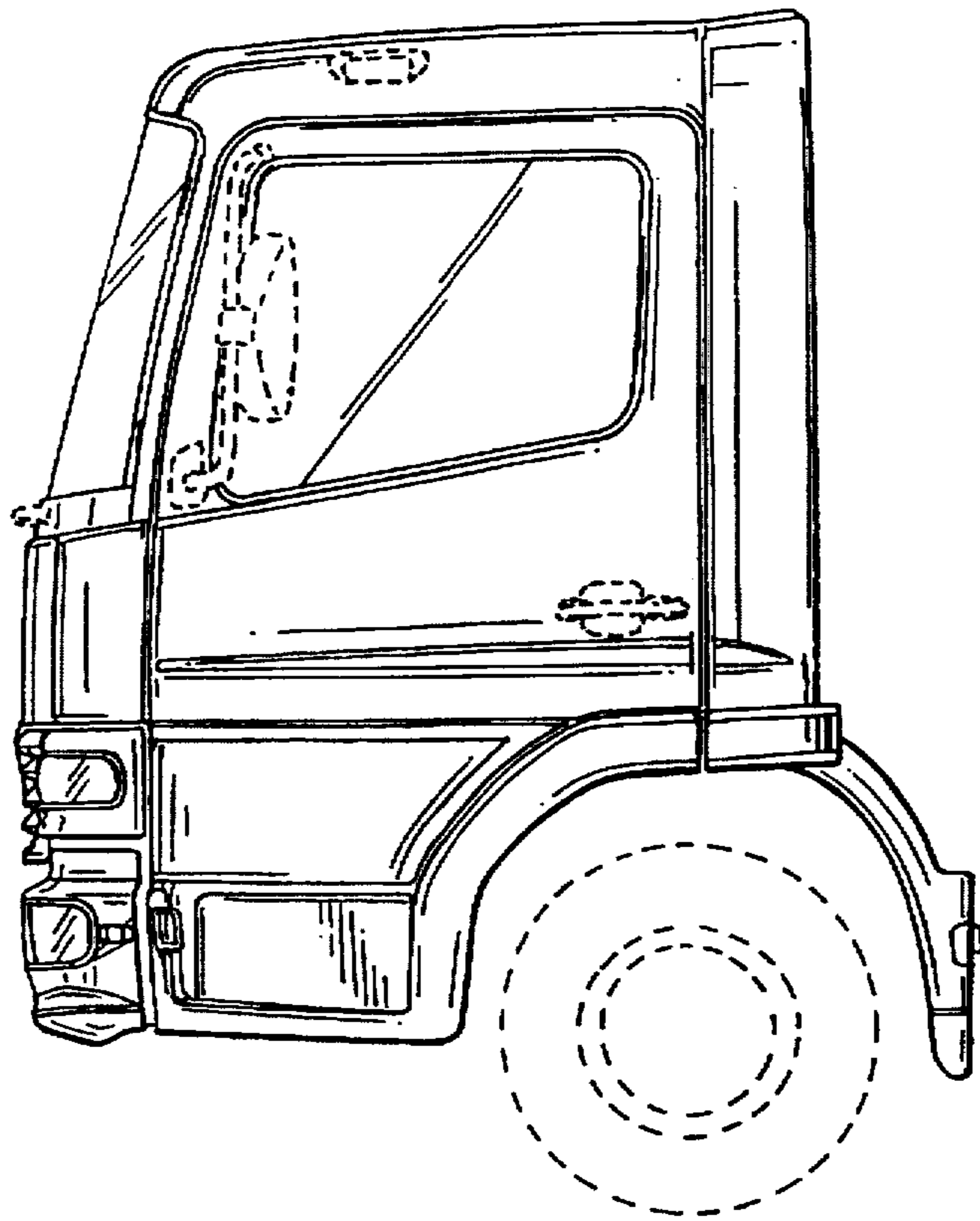


FIG. 1

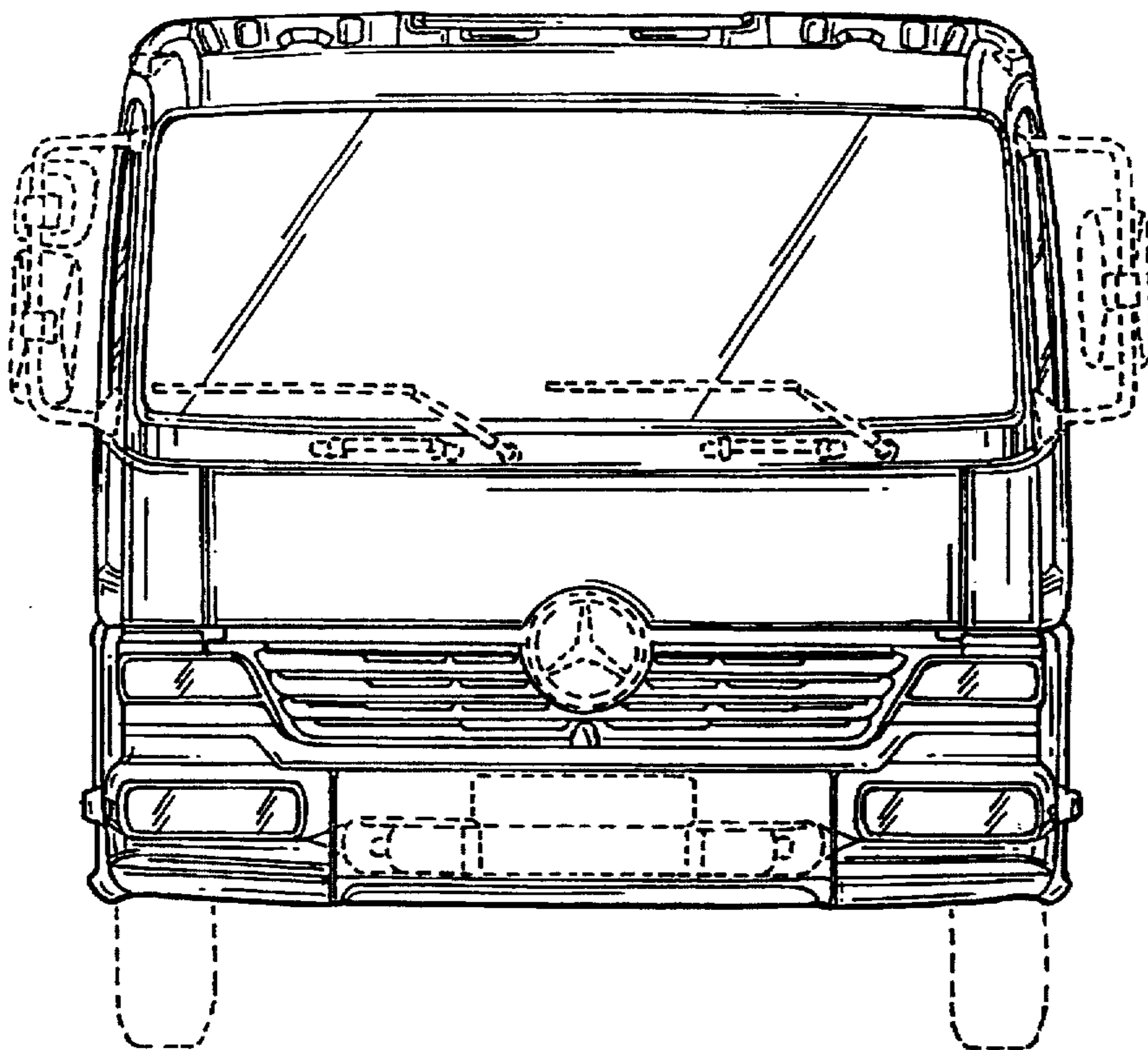


FIG. 2

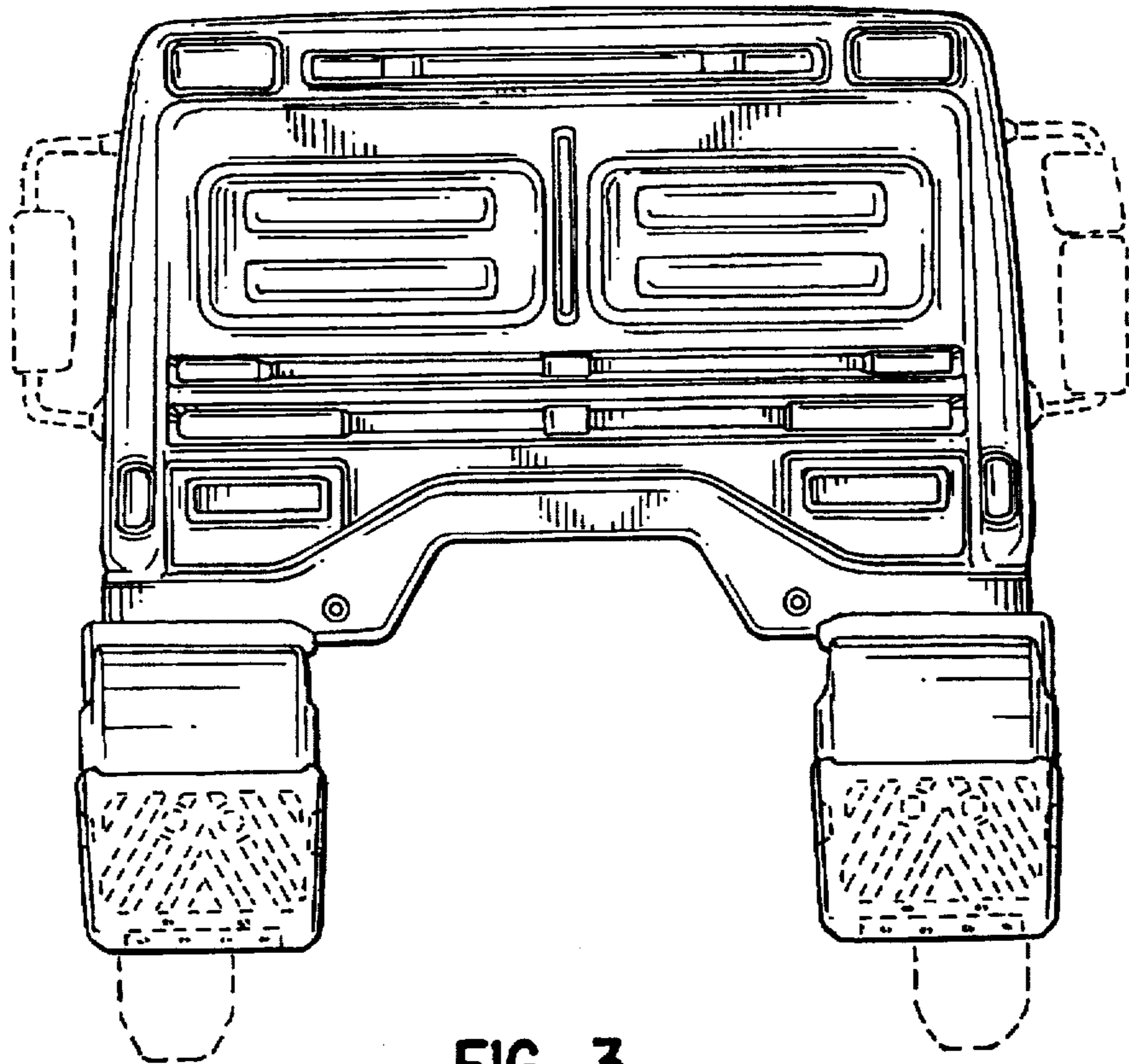


FIG. 3

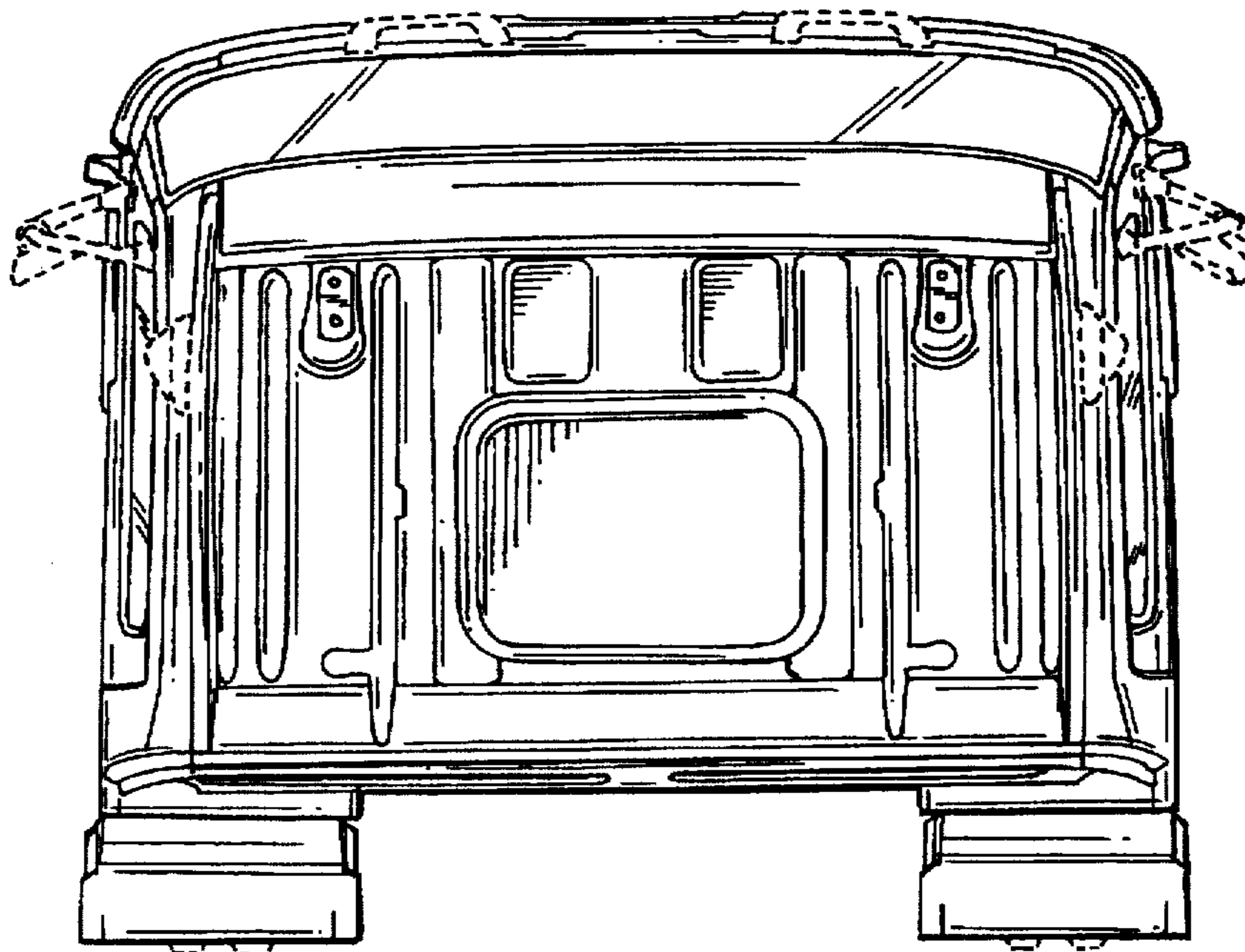


FIG. 4

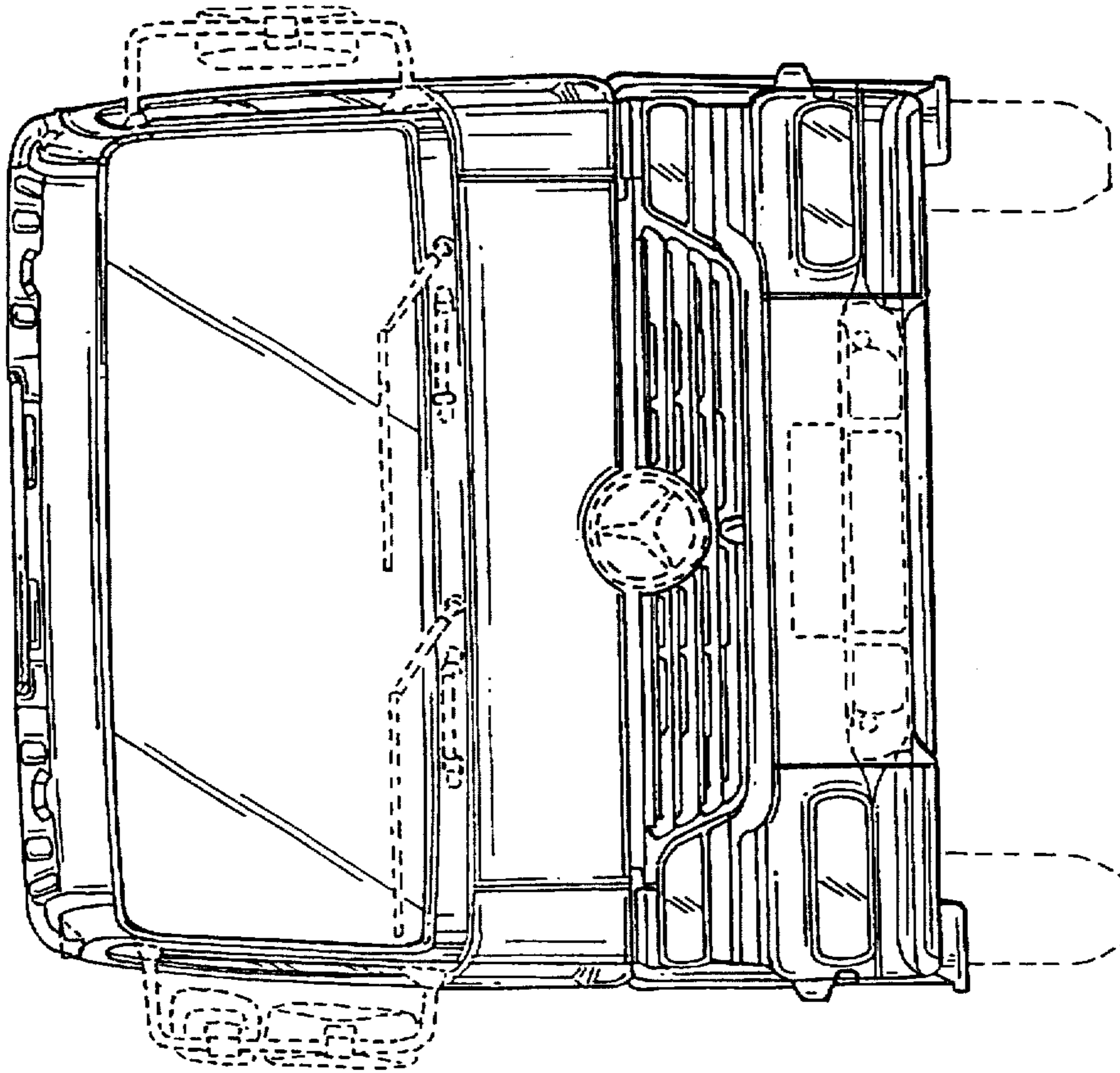


FIG. 6

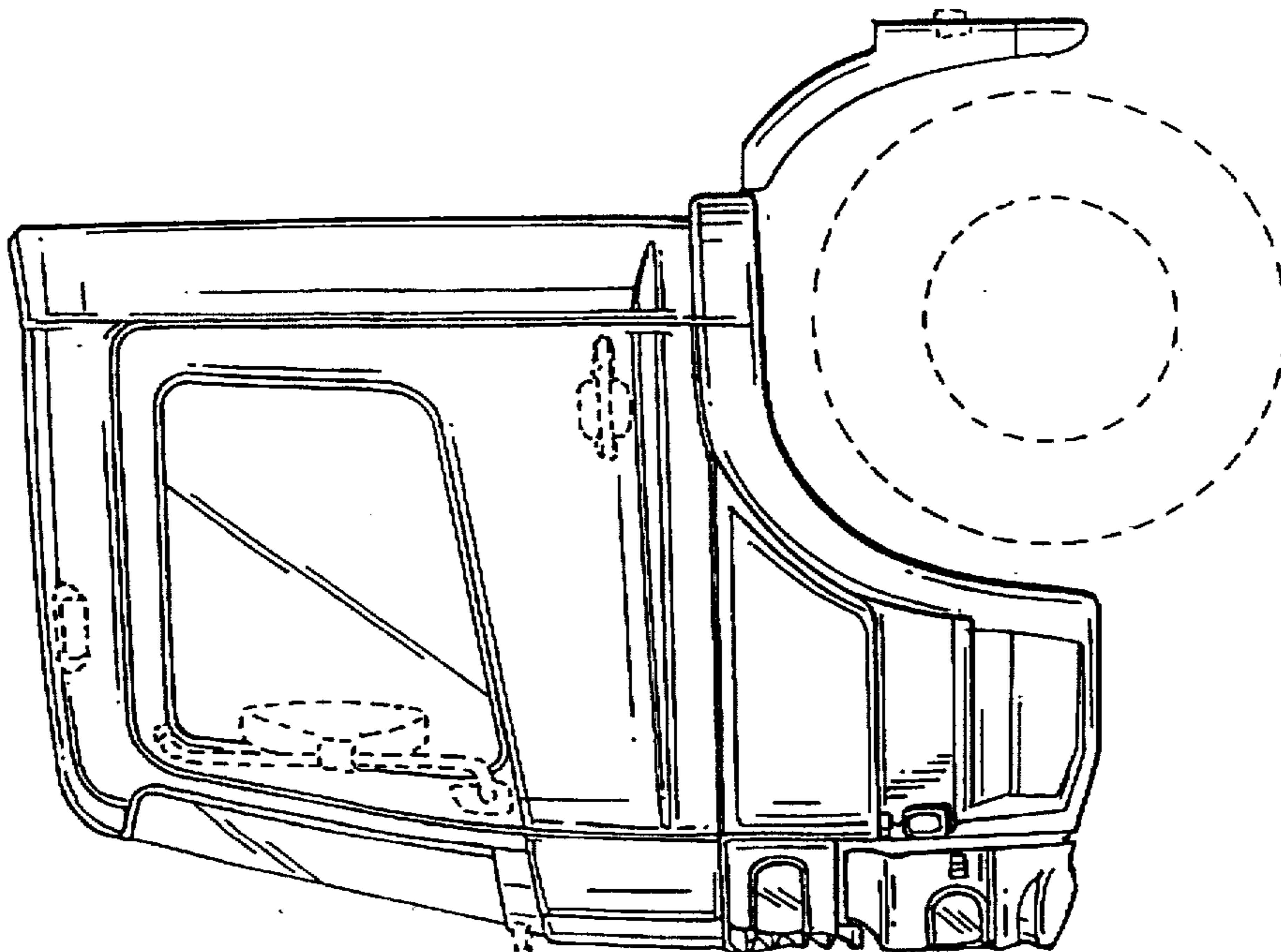


FIG. 5

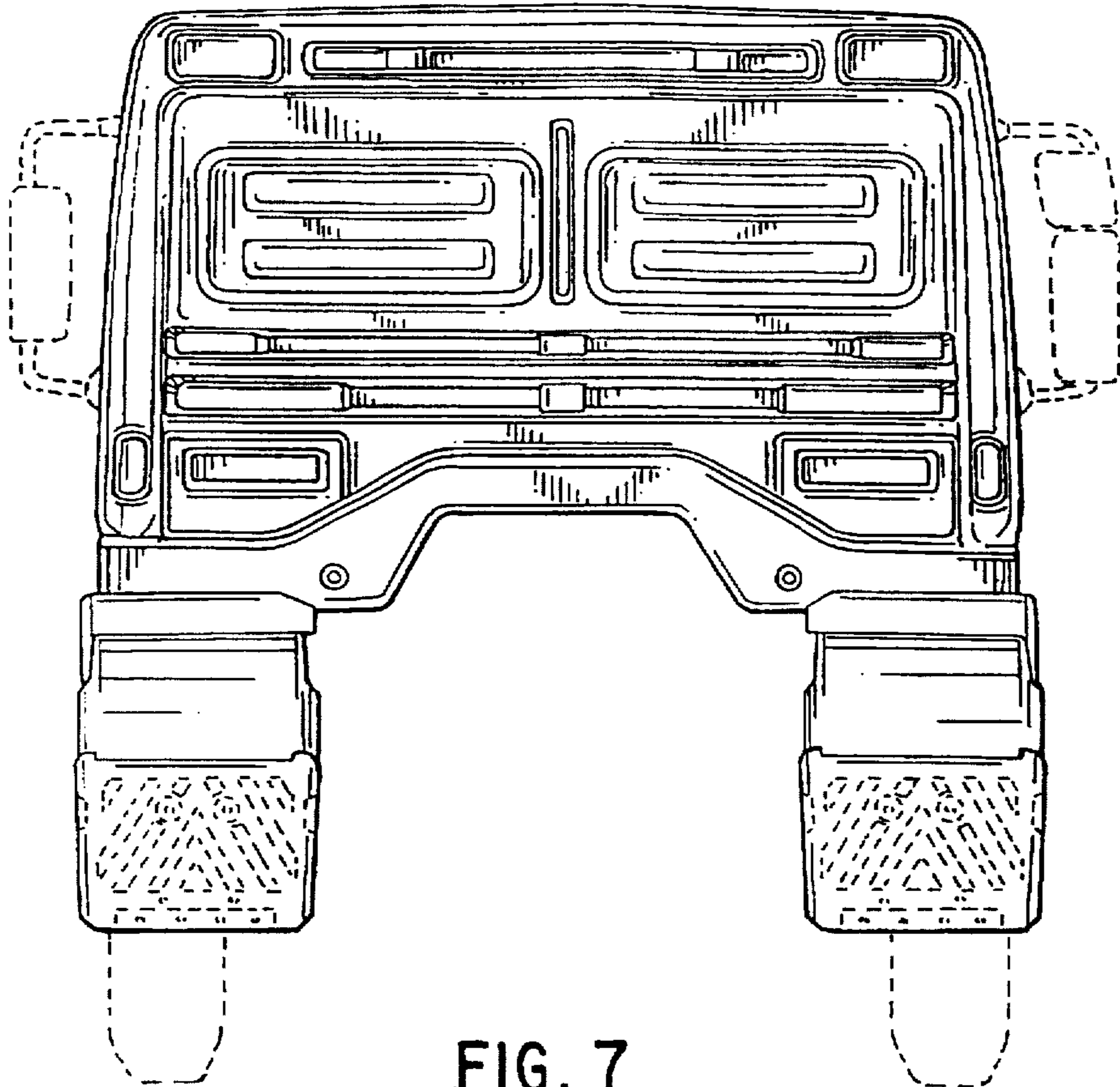


FIG. 7

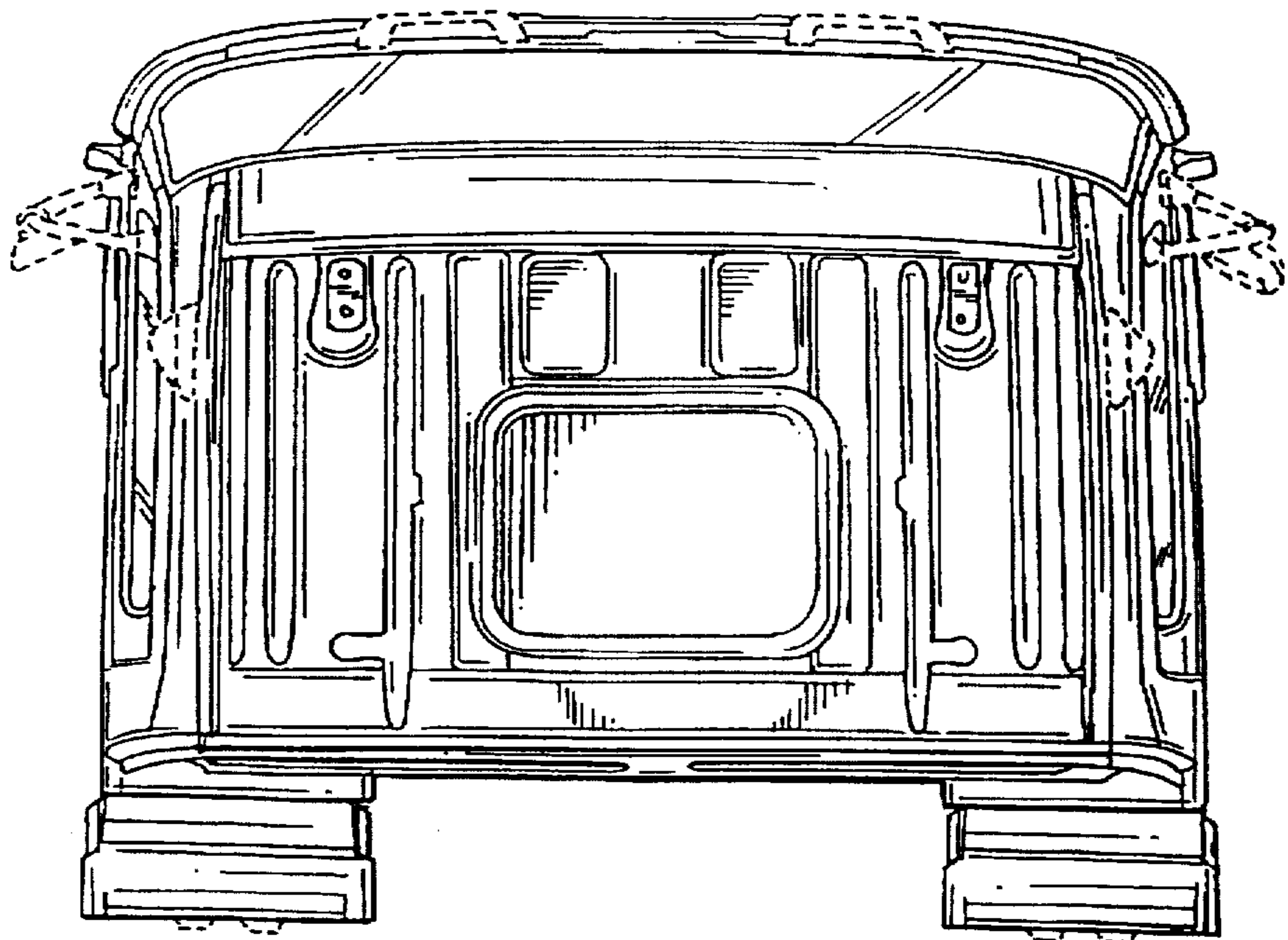


FIG. 8