



US00D408323S

United States Patent [19]
Yurk

[11] **Patent Number: Des. 408,323**
[45] **Date of Patent: **Apr. 20, 1999**

- [54] **PLANTER**
- [75] **Inventor: Arno Roland Yurk, Kalamazoo, Mich.**
- [73] **Assignee: Landscape Forms, Inc., Kalamazoo, Mich.**
- [**] **Term: 14 Years**
- [21] **Appl. No.: 29/090,102**
- [22] **Filed: Jun. 30, 1998**
- [51] **LOC (6) Cl. 11-02**
- [52] **U.S. Cl. D11/152**
- [58] **Field of Search D11/143, 152, D11/153; D6/403; D7/523, 558, 565, 584, 388; 47/65.5, 68, 41.01; 248/27.8; 206/423**

- [56] **References Cited**
- U.S. PATENT DOCUMENTS**
- D. 169,314 4/1953 Heisey D7/558

- OTHER PUBLICATIONS**
- 1996 Sweets Catalog, BuyLine 2126, Architectural Precast, 3 pp.
- 1996 Sweets Catalog, Buyline 5544, Dura Art Stone, 6 pp.
- 1996 Sweets Catalog, Buyline 1349, Environmental Features, Inc., alpha precasts, 2 pp.

- 1996 Sweets Catalog, Buyline 0072, Fib-Con Corporation, Expressions in Site Furnishings, 2 pp.
- 1996 Sweets Catalog, BuyLine 7556, KIsite Furnishings, 4 pp.
- 1996 Sweets Catalog, Buyline 5504, Petersen Concrete Leisure Products, 3 pp.
- 1996 Sweet's Catalog, BuyLine 3205, Wausau Tile, Terra-Form Division, 3 pp.

Primary Examiner—Doris V. Coles
Assistant Examiner—Linda Brooks
Attorney, Agent, or Firm—Heslin & Rothenberg, P.C.

[57] **CLAIM**

The ornamental design for a planter, as shown and described.

DESCRIPTION

FIG. 1 is a perspective view of a planter showing my new design;
 FIG. 2 is a top plan view thereof;
 FIG. 3 is a side view thereof, all of the sides being identical; and,
 FIG. 4 is a bottom plan view thereof.
 The broken line showing is for illustrative purposes and forms no part of the claimed design.

1 Claim, 2 Drawing Sheets

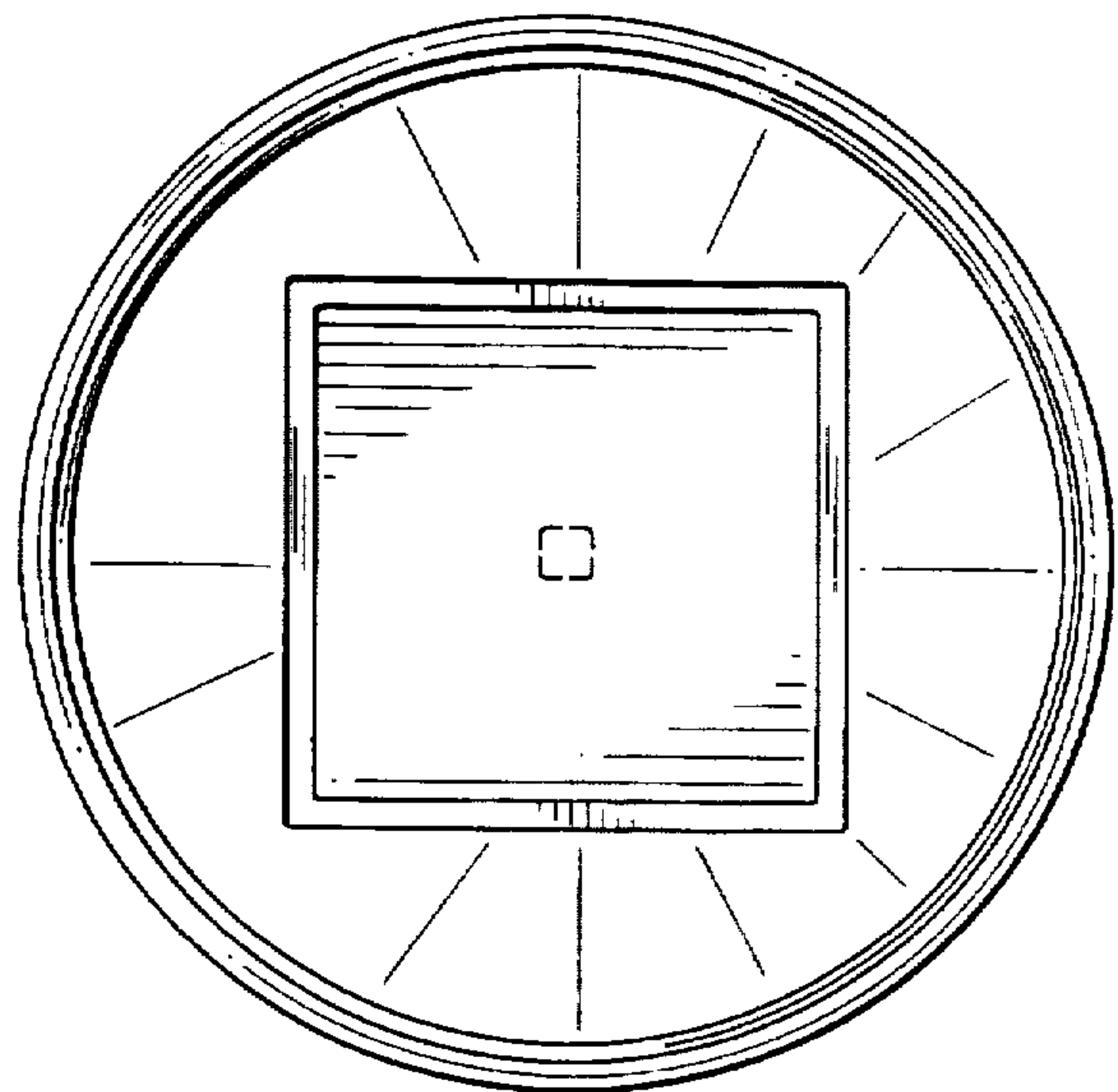
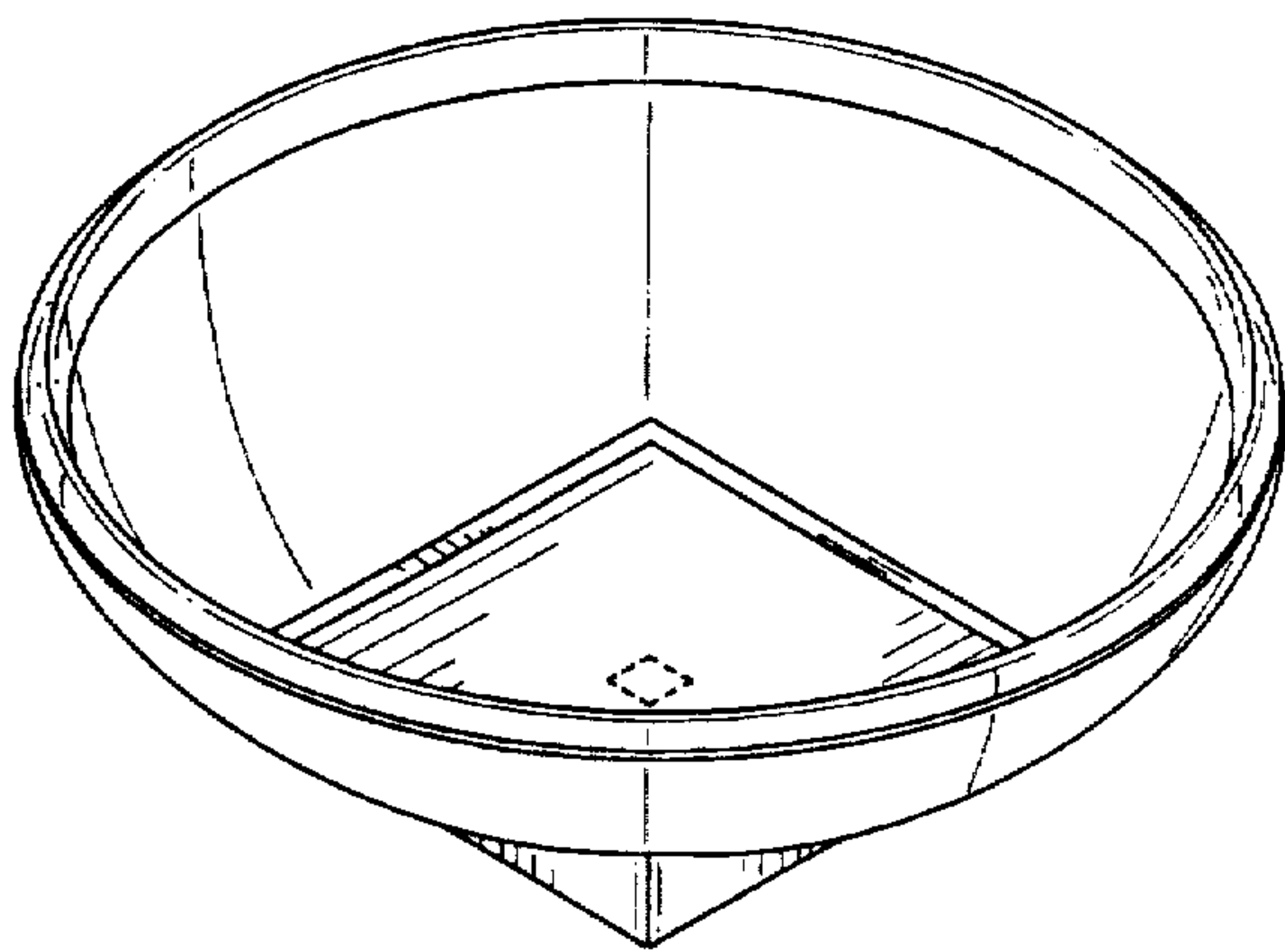


FIG. 1

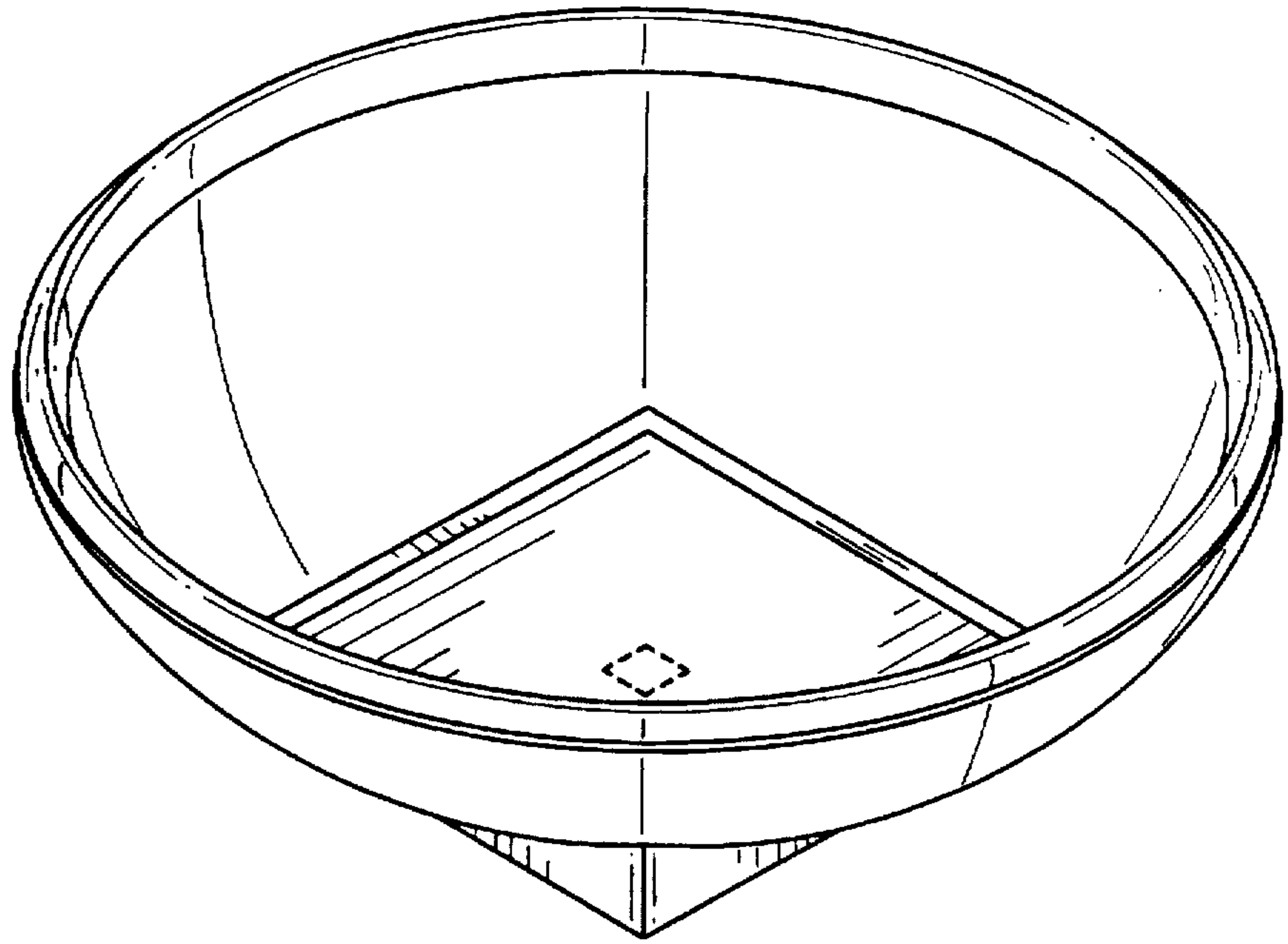


FIG. 2

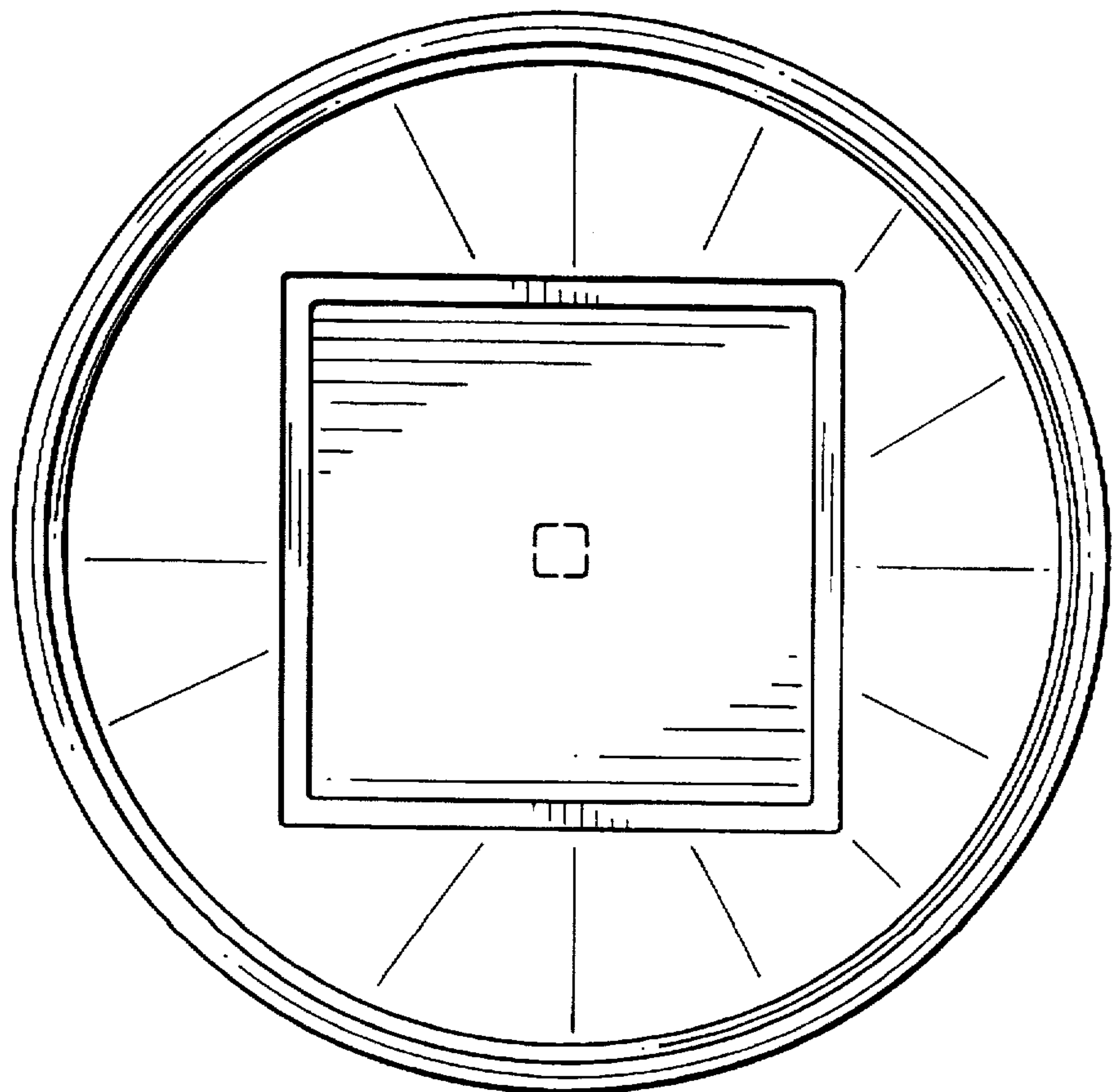


FIG. 3

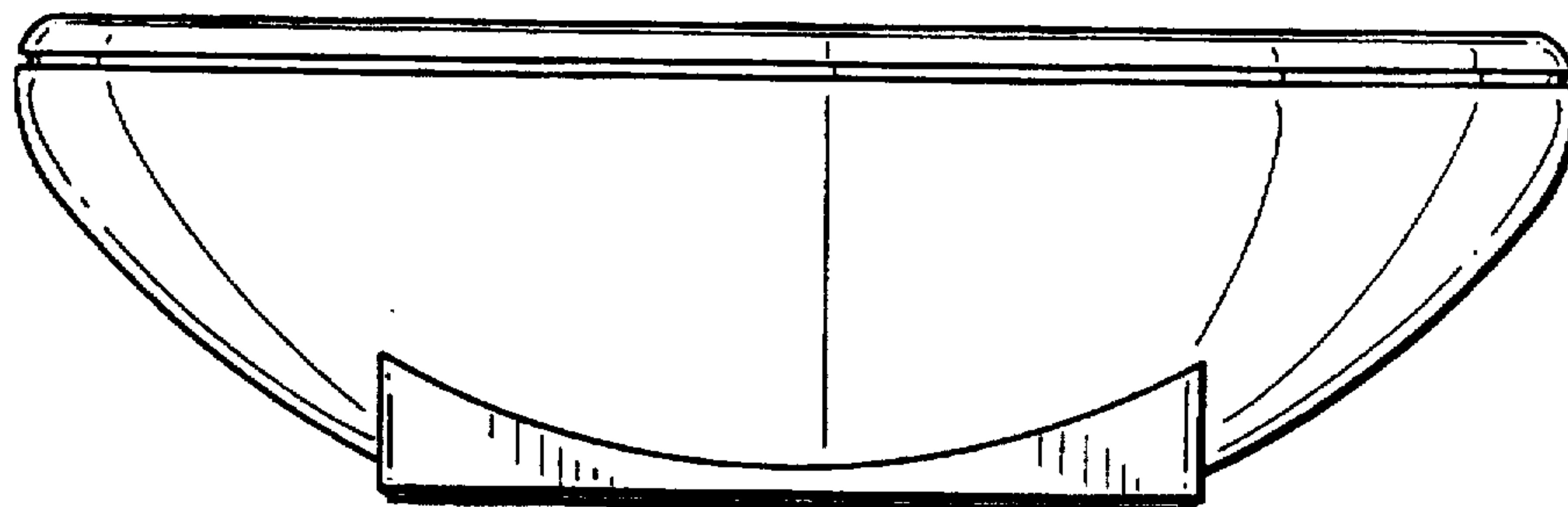


FIG. 4

