



US00D408322S

United States Patent [19]
Yurk

[11] **Patent Number:** **Des. 408,322**
[45] **Date of Patent:** ****Apr. 20, 1999**

[54] **PLANTER**

[75] **Inventor:** **Arno Roland Yurk**, Kalamazoo, Mich.

[73] **Assignee:** **Landscape Forms, Inc.**, Kalamazoo, Mich.

[**] **Term:** **14 Years**

[21] **Appl. No.:** **29/090,091**

[22] **Filed:** **Jun. 30, 1998**

[51] **LOC (6) Cl.** **11-02**

[52] **U.S. Cl.** **D11/152**

[58] **Field of Search** D11/143, 152,
D11/153; D6/403; D7/584, 558, 523, 565,
388; 47/65.5, 68, 41.01; 248/27.8; 206/423

[56] **References Cited**

U.S. PATENT DOCUMENTS

D. 112,179 11/1938 Reinecke et al. D7/584

OTHER PUBLICATIONS

1996 Sweets Catalog, BuyLine 2126, Architectural Precast, 3 pp.

1996 Sweets Catalog, BuyLine 5544, Dura Art Stone, 6 pp.

1996 Sweets Catalog, BuyLine 1349, Environmental Features, Inc., alpha precasts, 2 pp.

1996 Sweets Catalog, BuyLine 0072, Fib-Con Corporation, Expressions in Site Furnishings, 2 pp.

1996 Sweets Catalog, BuyLine 7556, KIsite Furnishings, 4 pp.

1996 Sweets Catalog, BuyLine 5504, Petersen Concrete Leisure Products, 3 pp.

1996 Sweet's Catalog, BuyLine 3205, Wausau Tile, Terra-Form Division, 3 pp.

Primary Examiner—Doris V. Coles

Assistant Examiner—Linda Brooks

Attorney, Agent, or Firm—Heslin & Rothenberg, P.C.

[57] **CLAIM**

The ornamental design for a planter, as shown and described.

DESCRIPTION

FIG. 1 is a perspective view of a planter showing my new design;

FIG. 2 is a top plan view thereof;

FIG. 3 is a side view thereof, all of the sides being identical; and,

FIG. 4 is a bottom plan view thereof.

The broken line showing is for illustrative purposes and forms no part of the claimed design.

1 Claim, 2 Drawing Sheets

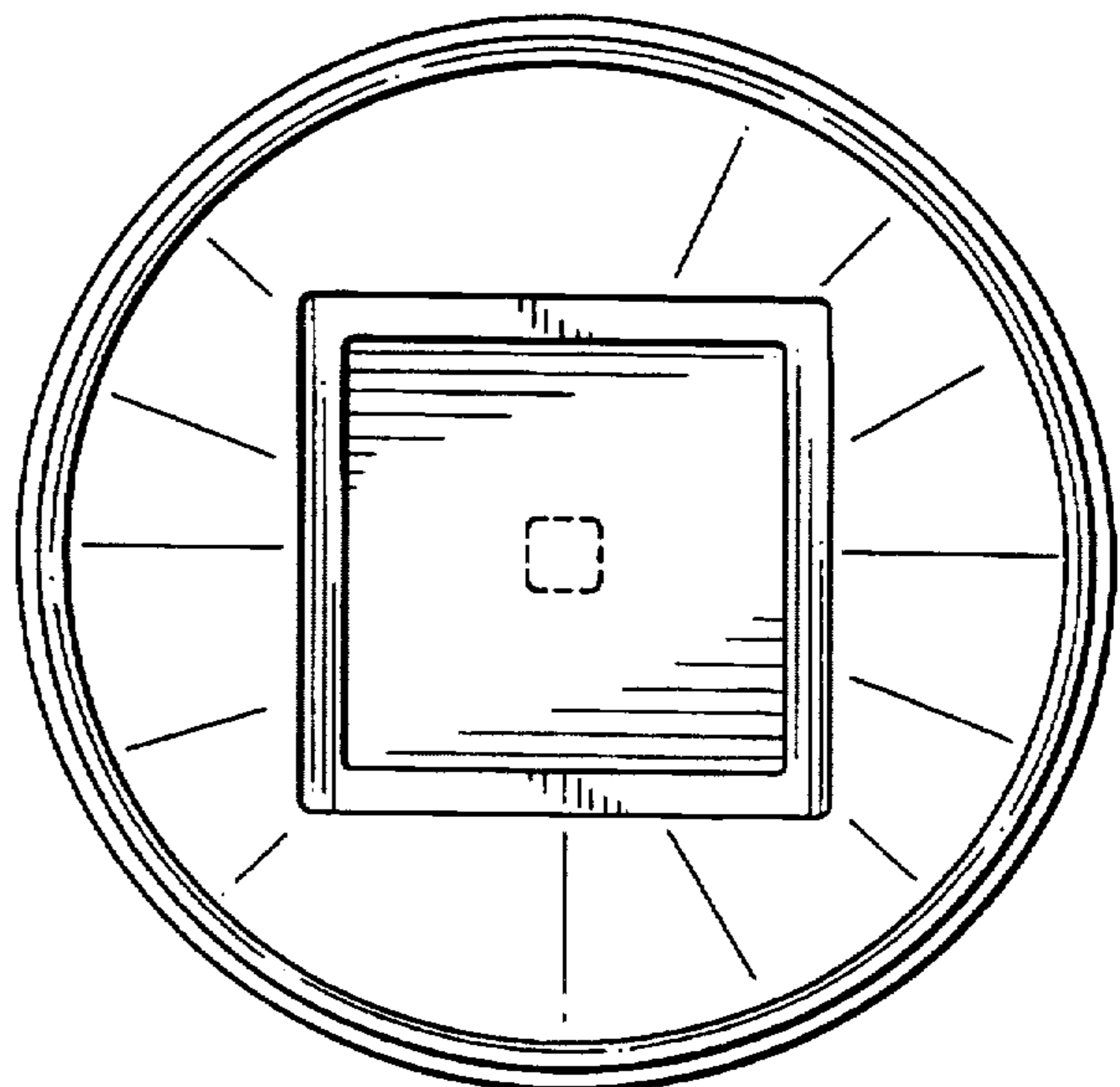
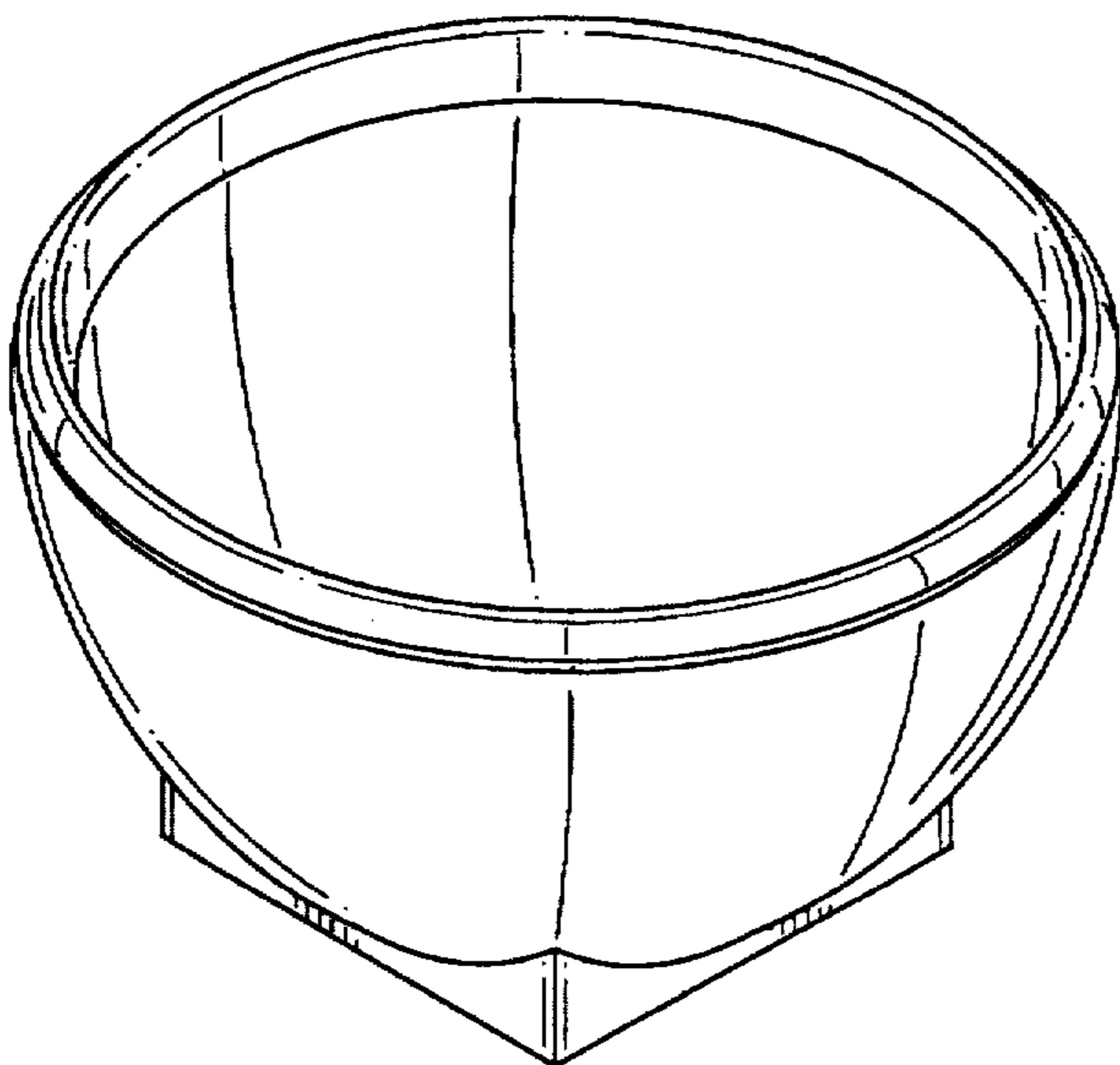


FIG. 1

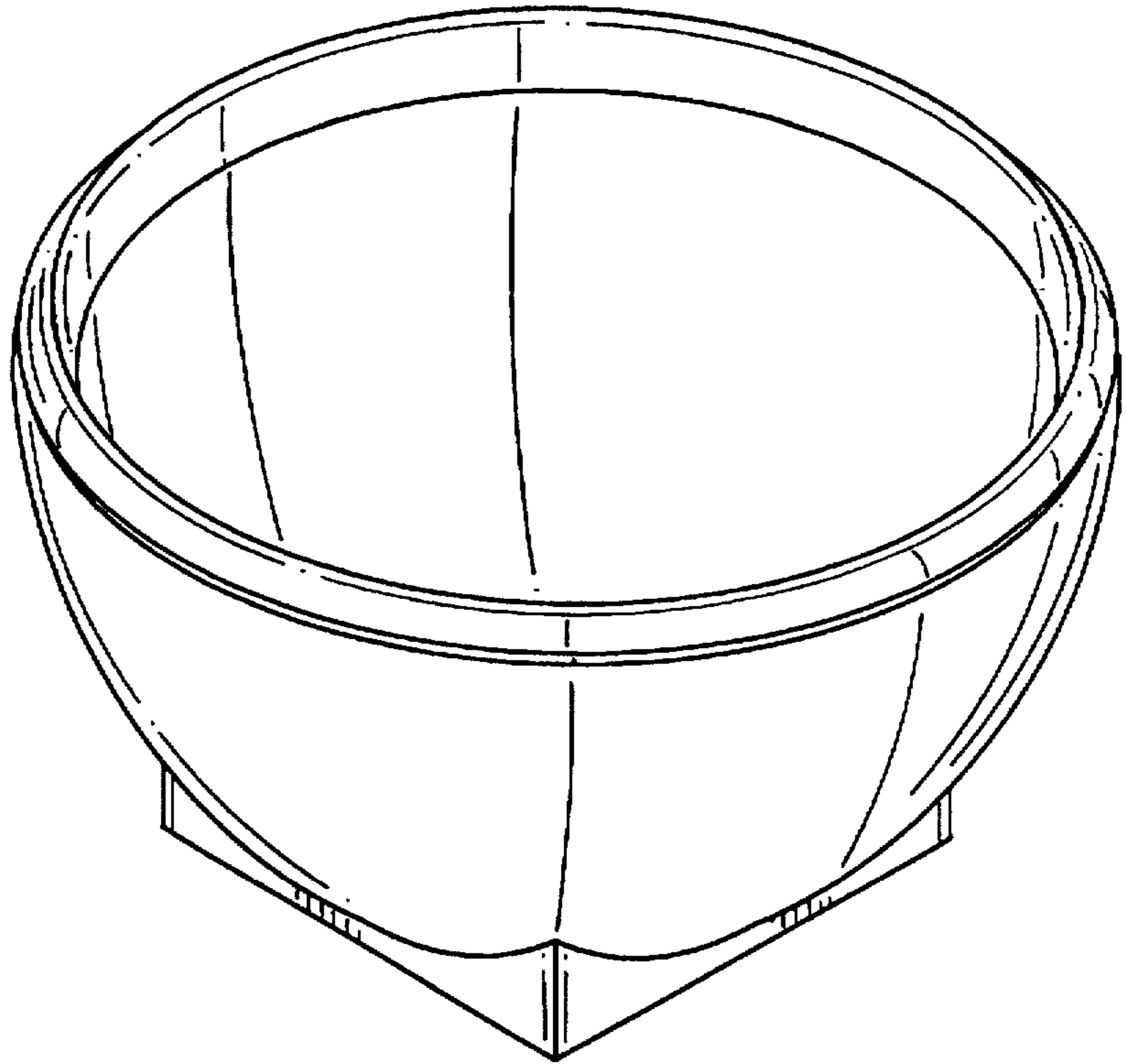


FIG. 2

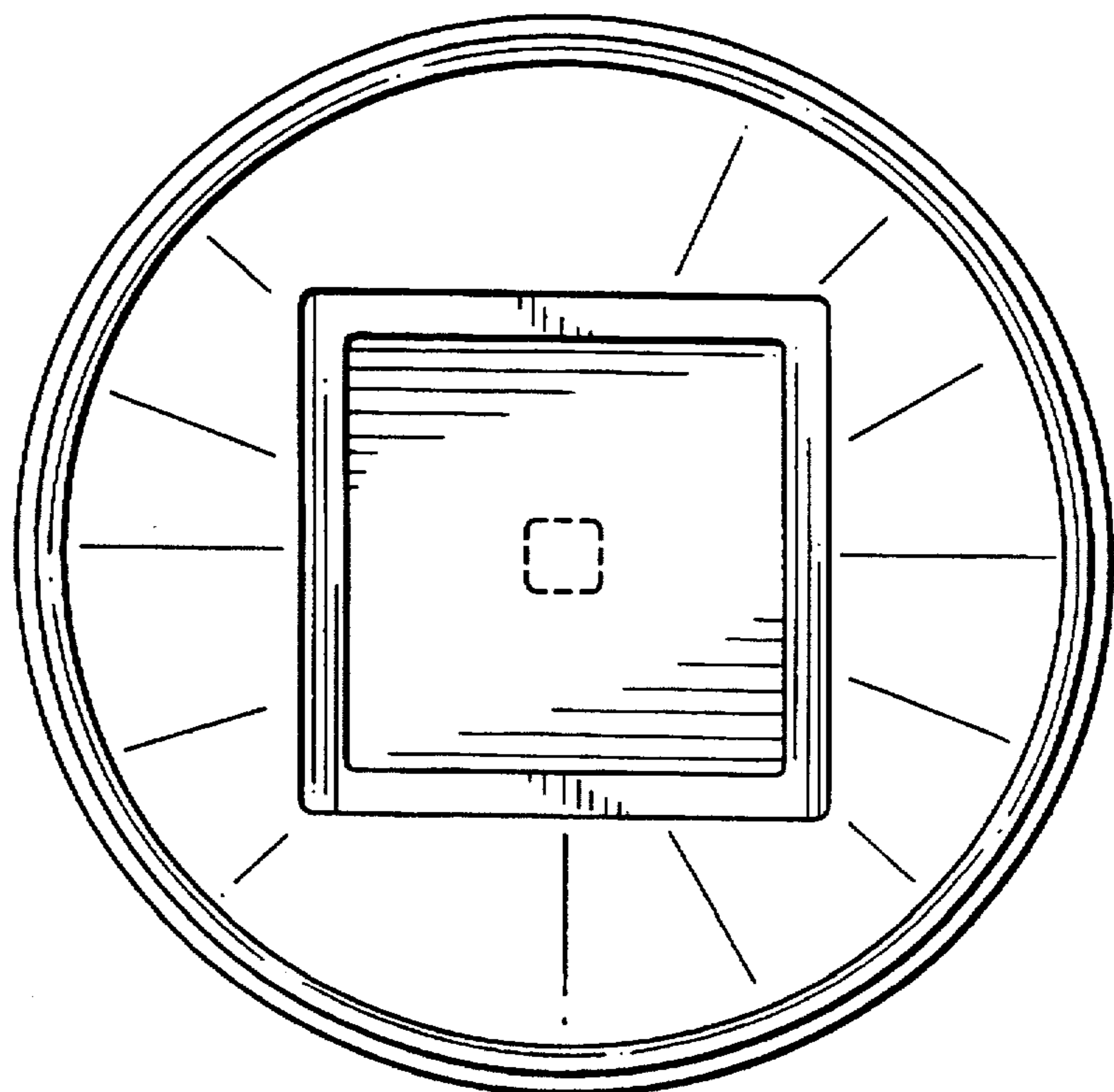


FIG. 3

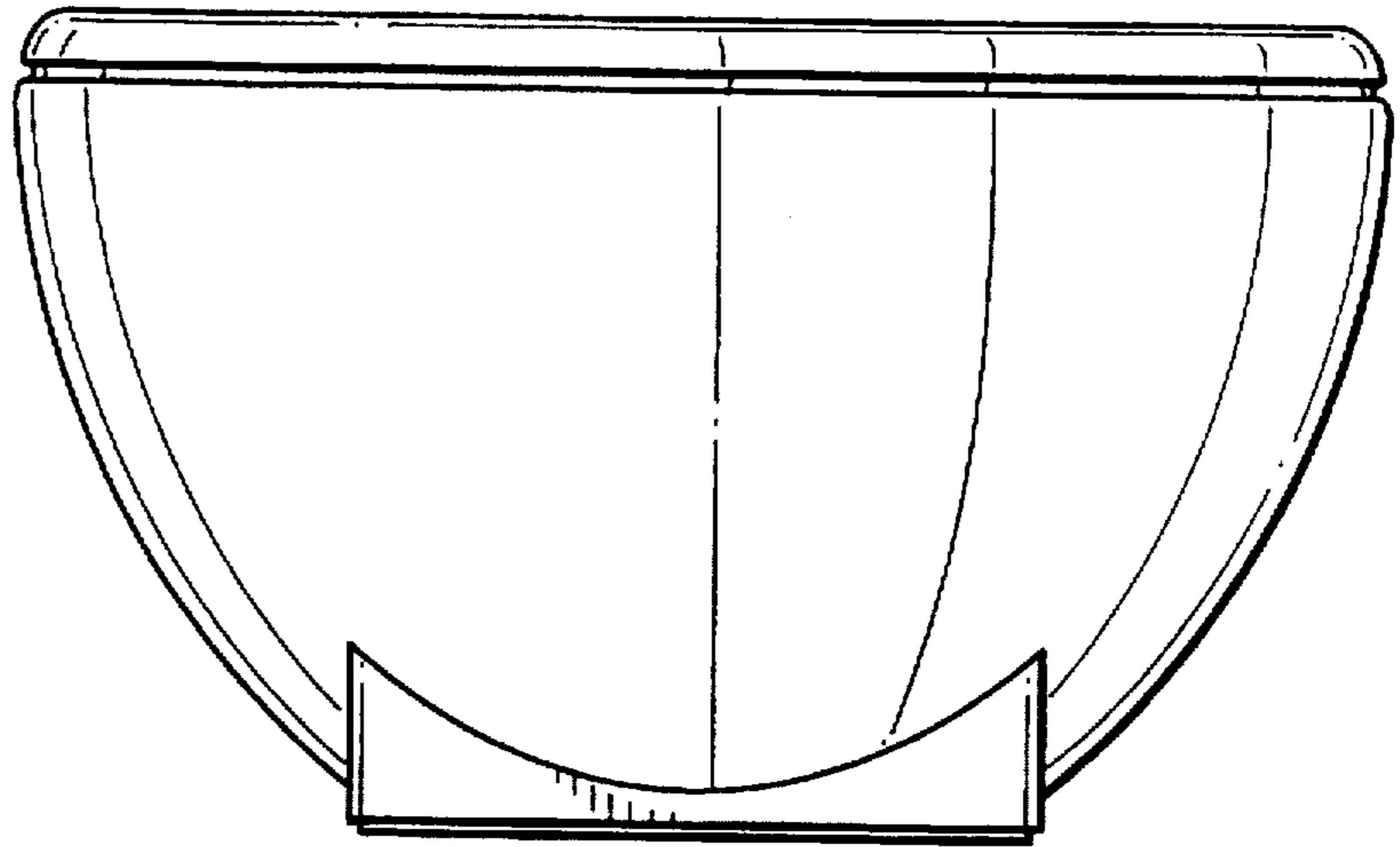


FIG. 4

