



US00D408320S

United States Patent [19]

Shenton, III et al.

[11] Patent Number: **Des. 408,320**

[45] Date of Patent: ****Apr. 20, 1999**

[54] RACE CAR ORNAMENT

[76] Inventors: **John M. Shenton, III; Charles F. Shenton, II**, both of 124 Kensington Pkwy., Abington, Md. 21009

[**] Term: **14 Years**

[21] Appl. No.: **29/074,624**

[22] Filed: **Aug. 8, 1997**

[51] LOC (6) CL **11-05**

[52] U.S. Cl. **D11/125**

[58] Field of Search **D11/121, 125; D12/86, 90, 91; 428/7; D21/548, 549, 550**

[56] **References Cited**

U.S. PATENT DOCUMENTS

- D. 180,438 6/1957 Burnbaum .
- D. 187,035 1/1960 Singer D11/125
- D. 206,164 11/1966 Moranduzzo .
- D. 210,029 1/1968 Moranduzzo D11/125

- D. 210,886 4/1968 Moranduzzo .
- D. 332,925 2/1993 Kucheran et al. .
- D. 363,567 10/1995 Feeley et al. .
- D. 375,469 11/1996 Ferrerio et al. D12/91
- D. 390,158 2/1998 Bloomquist D11/125

Primary Examiner—Dominic Simone
Attorney, Agent, or Firm—Terrance L. Siemens

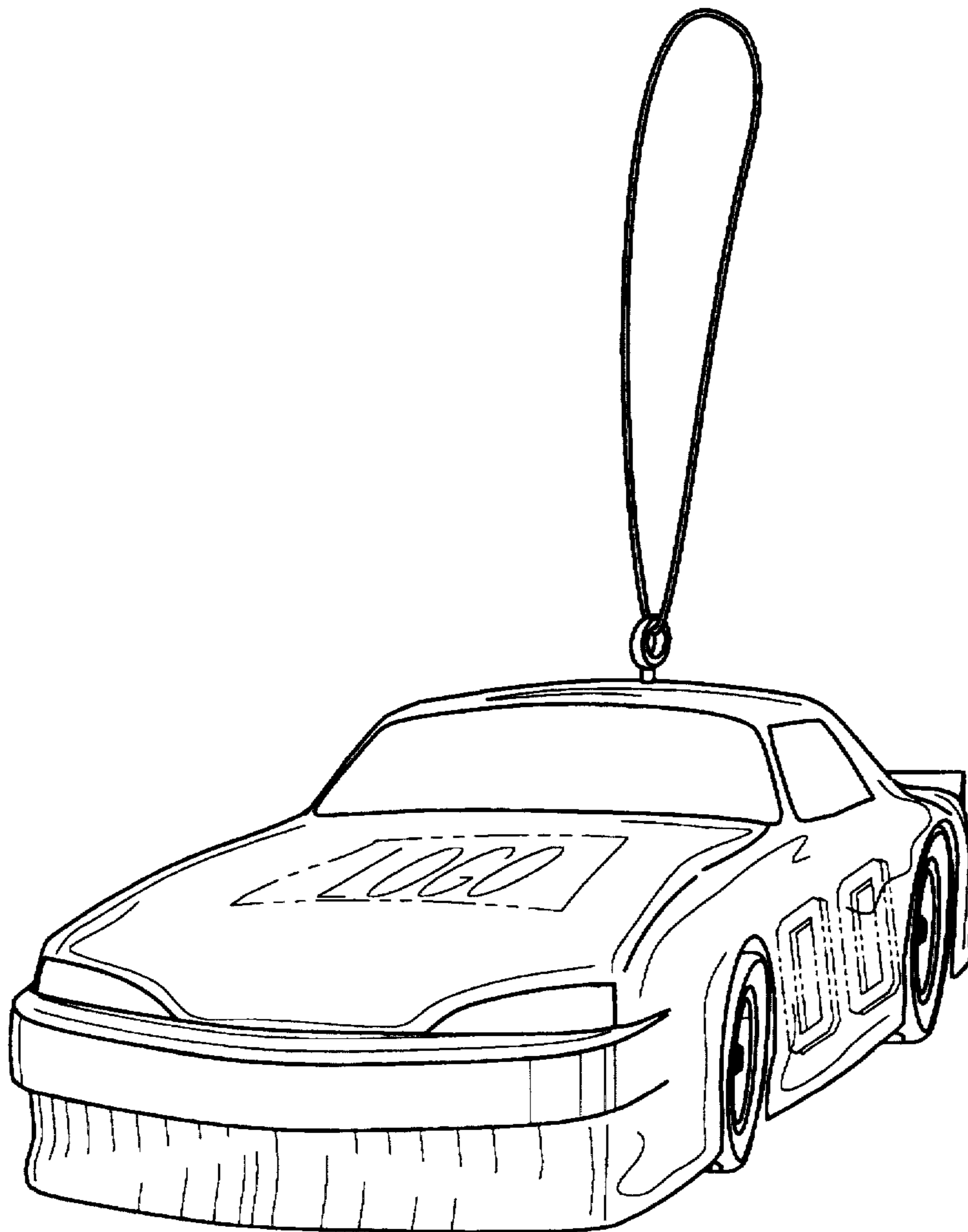
[57] **CLAIM**

The ornamental design for a race car ornament, as shown and described.

DESCRIPTION

FIG. 1 is a perspective view of a race car ornament showing my new design;
FIG. 2 is a front elevational view thereof;
FIG. 3 is a rear elevational view thereof;
FIG. 4 is a side elevational view thereof;
FIG. 5 is a top plan view thereof; and,
FIG. 6 is a bottom plan view thereof.

1 Claim, 4 Drawing Sheets



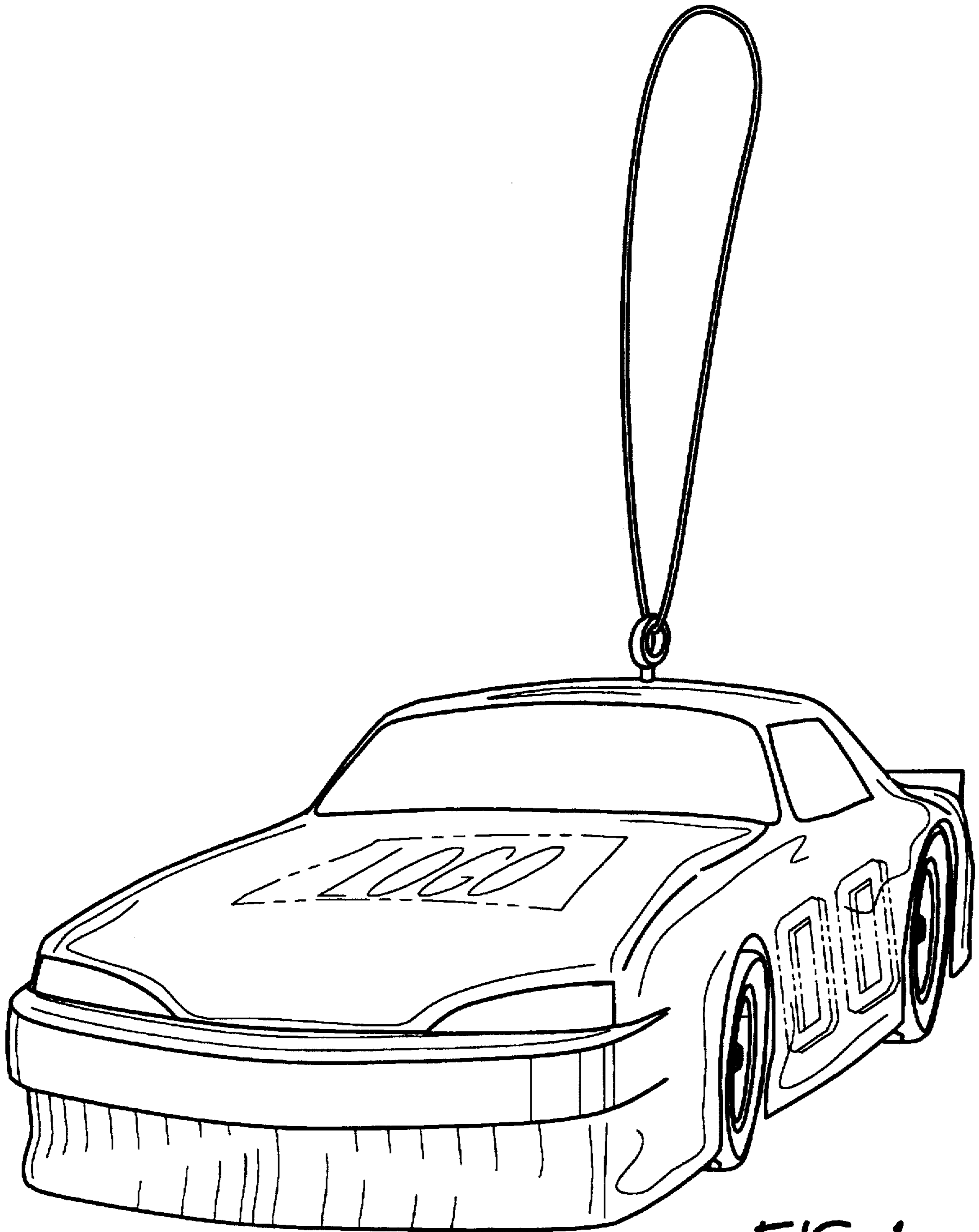


FIG. 1

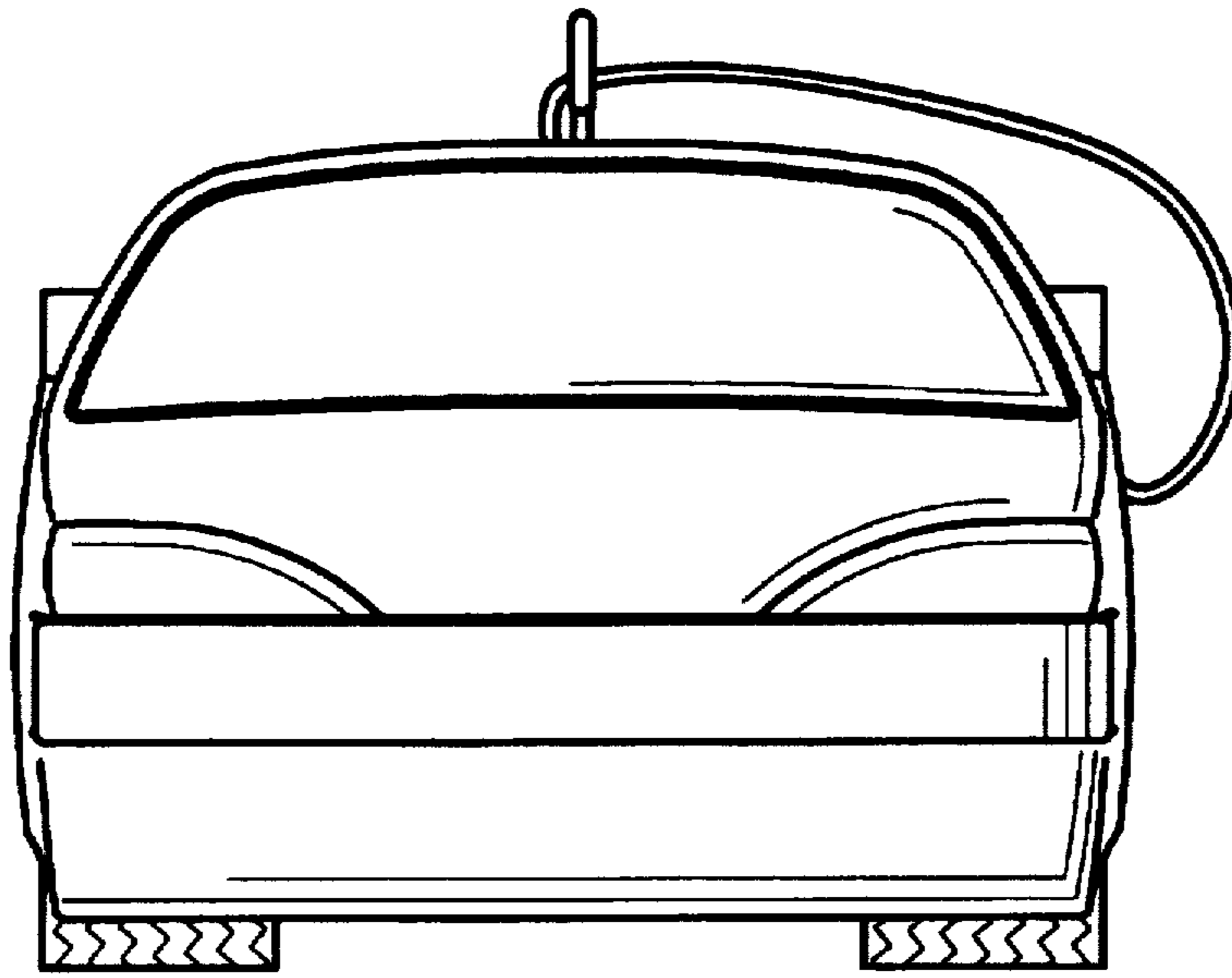


FIG. 2

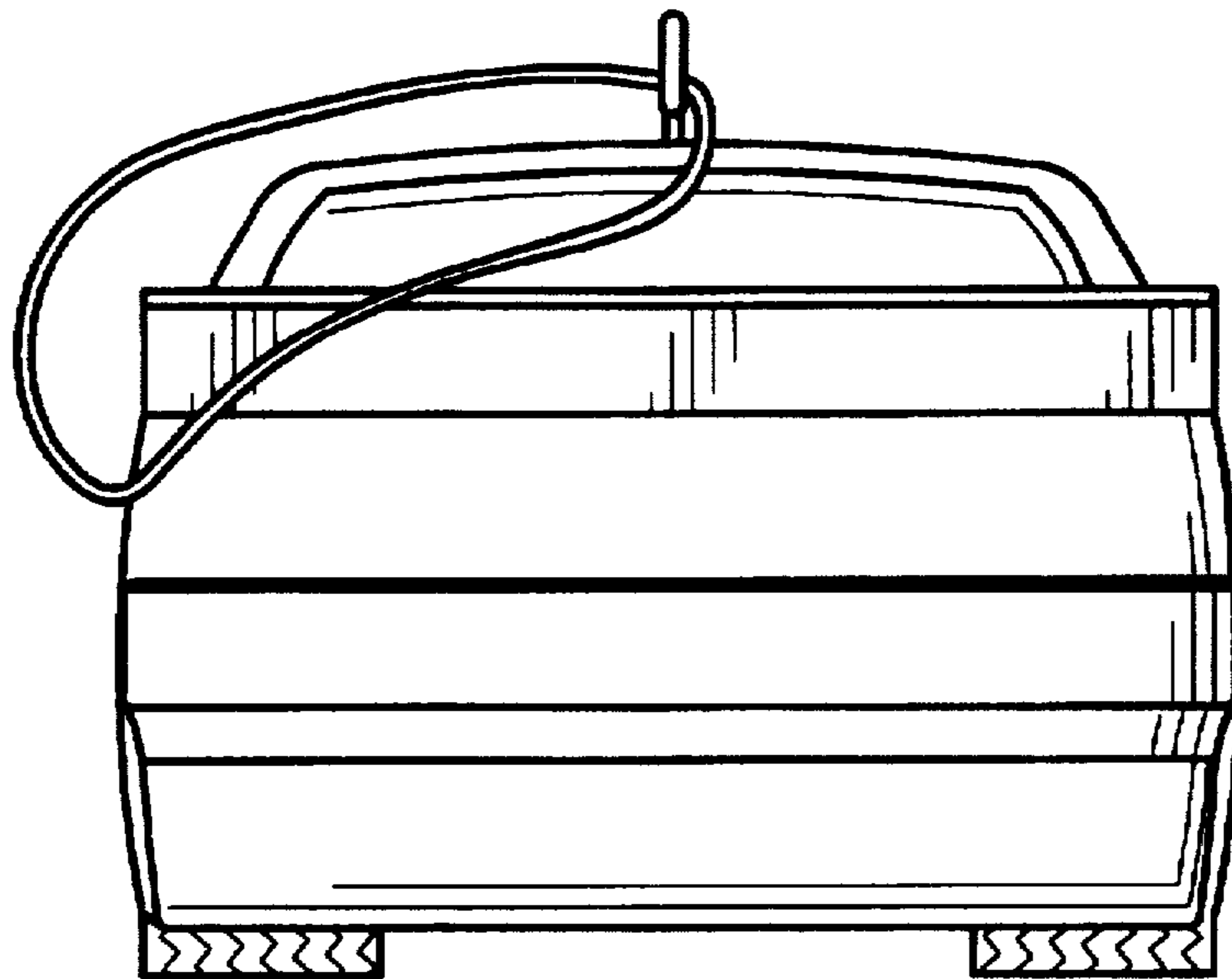
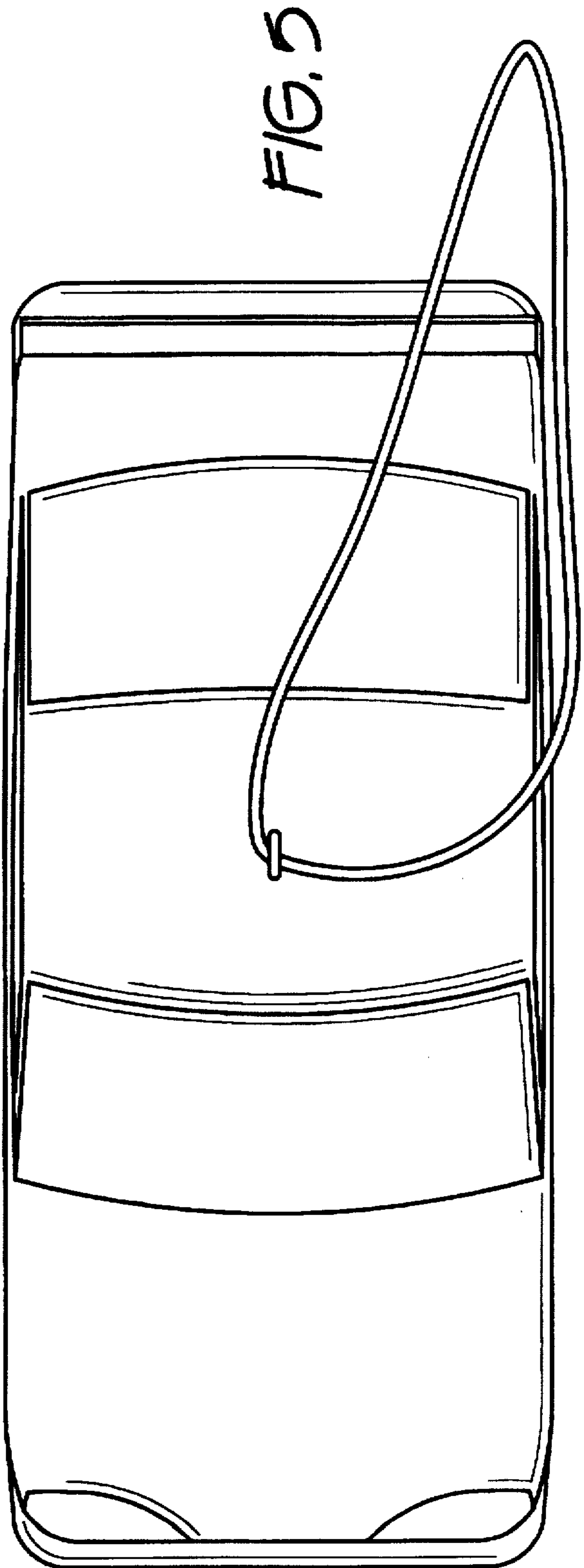
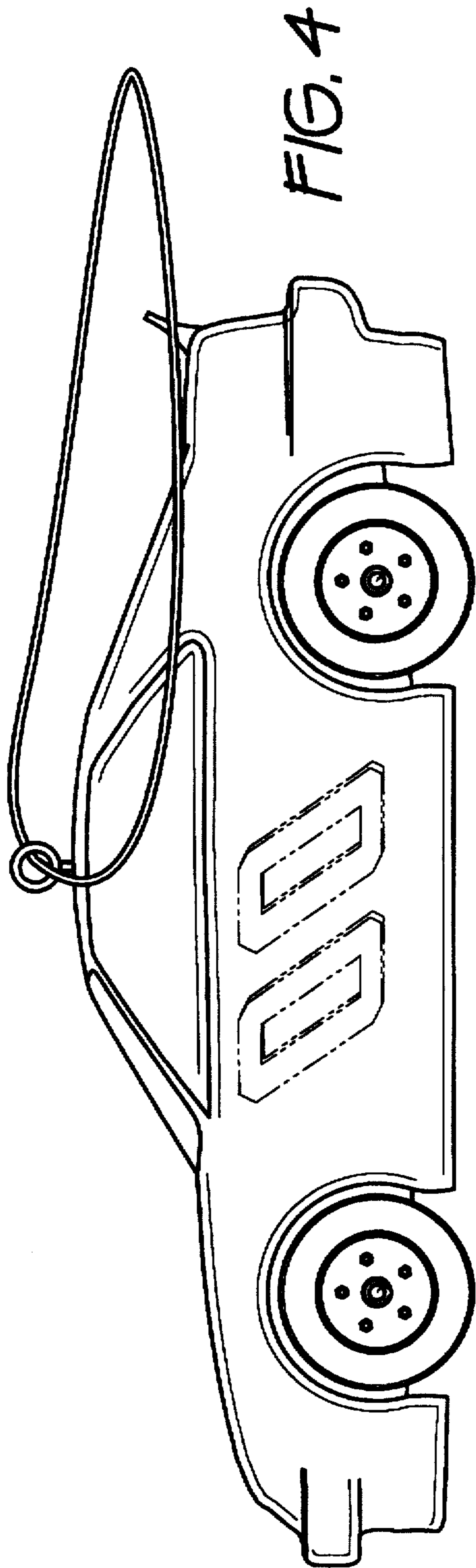


FIG. 3



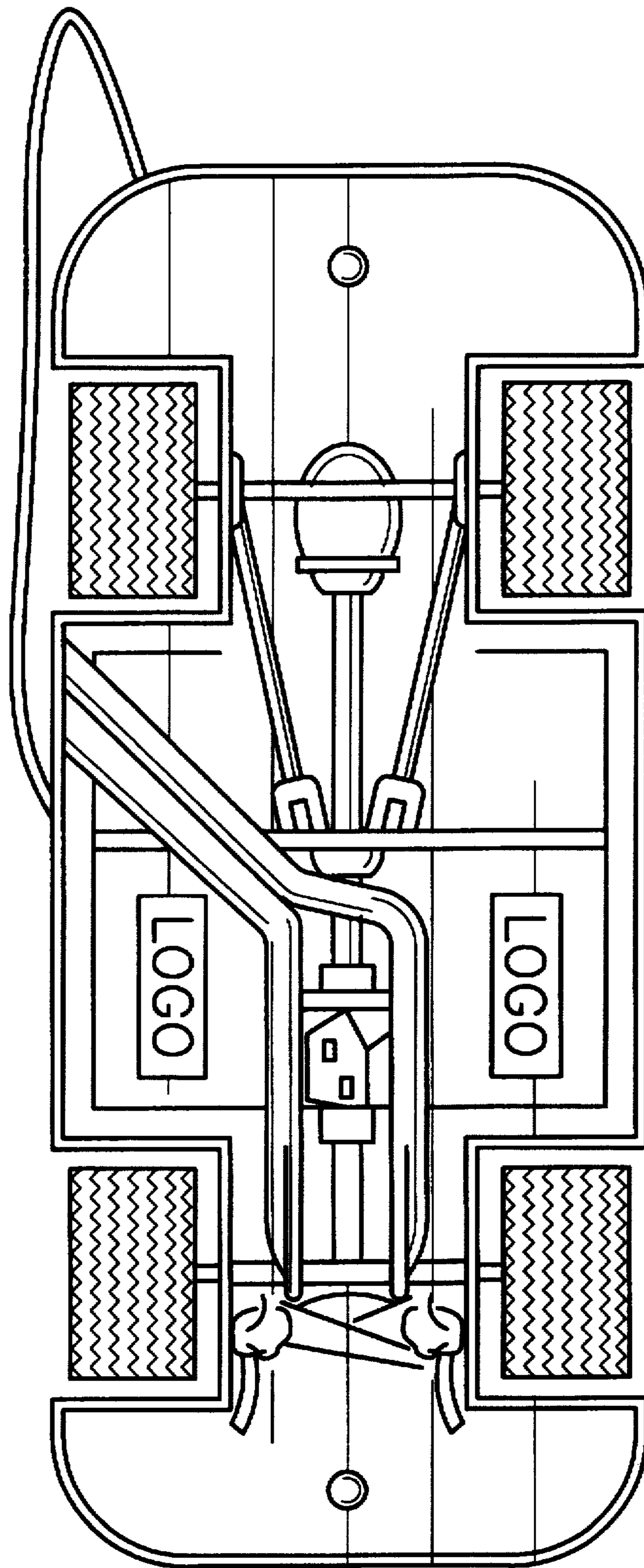


FIG. 6