



US00D408318S

United States Patent [19]

Zuzul

[11] Patent Number: Des. 408,318

[45] Date of Patent: **Apr. 20, 1999

[54] NUPTIAL CROSS

[76] Inventor: **Ronald F. Zuzul**, 4447 Water Oak La., Jacksonville, Fla. 32210

[**] Term: **14 Years**

[21] Appl. No.: **29/091,655**

[22] Filed: **Aug. 3, 1998**

[51] LOC (6) Cl. **11-01**

[52] U.S. Cl. **D11/96**

[58] Field of Search D11/1-5, 81, 27-37, D11/83, 96, 79, 110, 99; 63/1.1-3, 15-15.8, 26-30

[56] **References Cited**

U.S. PATENT DOCUMENTS

D. 214,670	7/1969	Stottrup	D11/81
D. 225,537	12/1972	Bowers	D11/81
D. 226,624	4/1973	Maze	D11/81
D. 236,019	7/1975	Scott	D11/81
D. 237,723	11/1975	Sweet	D11/81
D. 246,607	12/1977	Radisich	D11/81
D. 248,459	7/1978	Newman	D11/81
D. 334,725	4/1993	White	D11/81

Primary Examiner—Ralf Seifert
Attorney, Agent, or Firm—Arthur G. Yeager

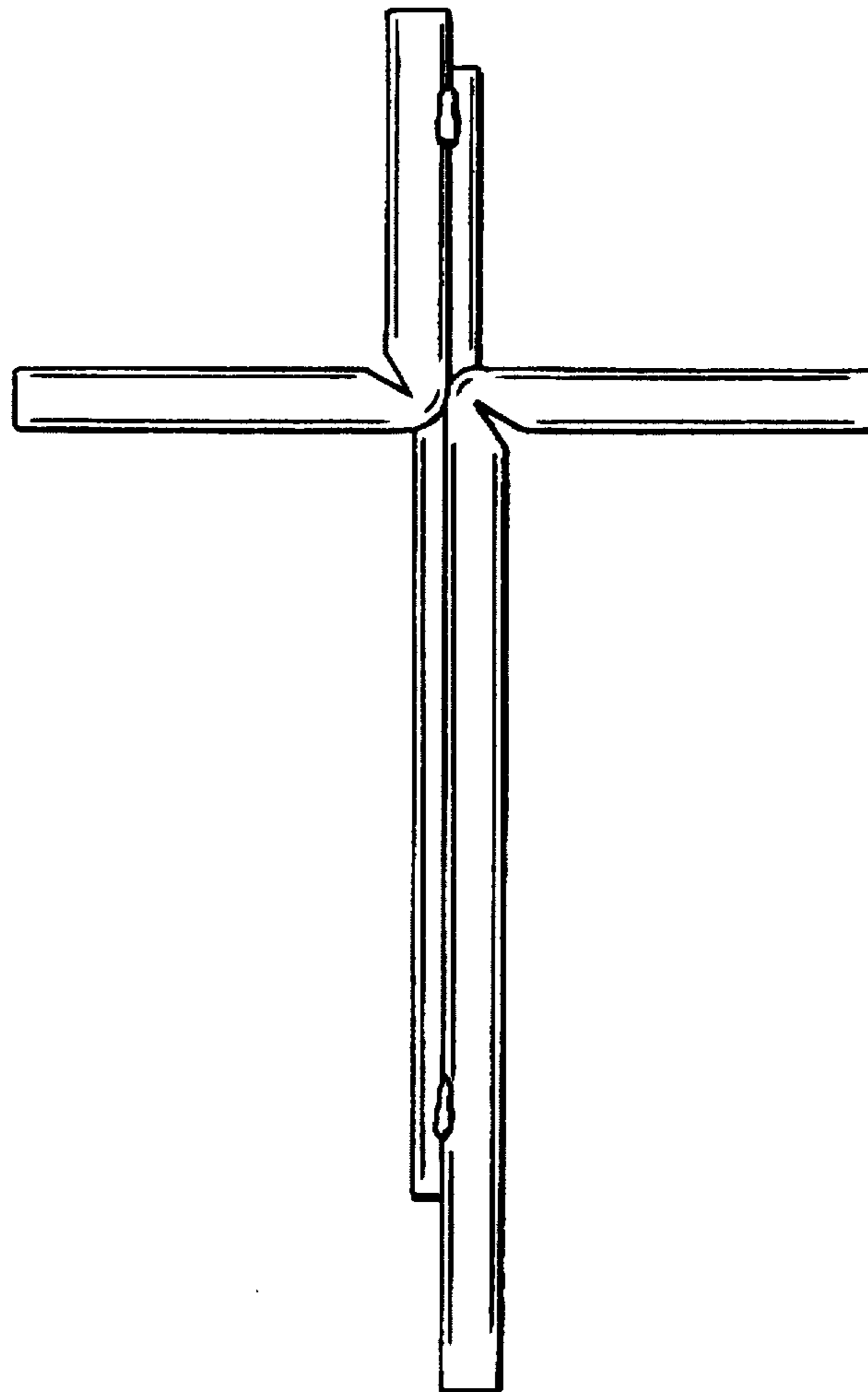
[57] **CLAIM**

The ornamental design of a nuptial cross, as shown.

DESCRIPTION

FIG. 1 is a left side elevational view of a first embodiment of the nuptial cross showing my new design; FIG. 2 is a rear elevational view thereof; FIG. 3 is a right side elevational view thereof; FIG. 4 is a front elevational view thereof; FIG. 5 is a top plan view thereof; FIG. 6 is a bottom plan view thereof; FIG. 7 is a front perspective view thereof on a reduced scale; FIG. 8 is a left side elevational view of a second embodiment of the nuptial cross showing my new design; FIG. 9 is a rear elevational view thereof; FIG. 10 is a right side elevational view thereof; FIG. 11 is a front elevational view thereof; FIG. 12 is a top plan view thereof; FIG. 13 is a bottom plan view thereof; and, FIG. 14 is a front perspective view thereof on a reduced scale.

1 Claim, 4 Drawing Sheets



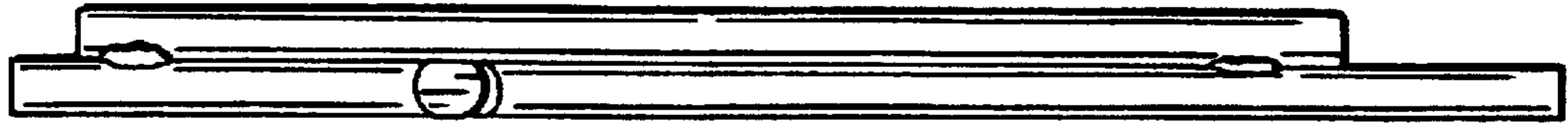


FIG. 3

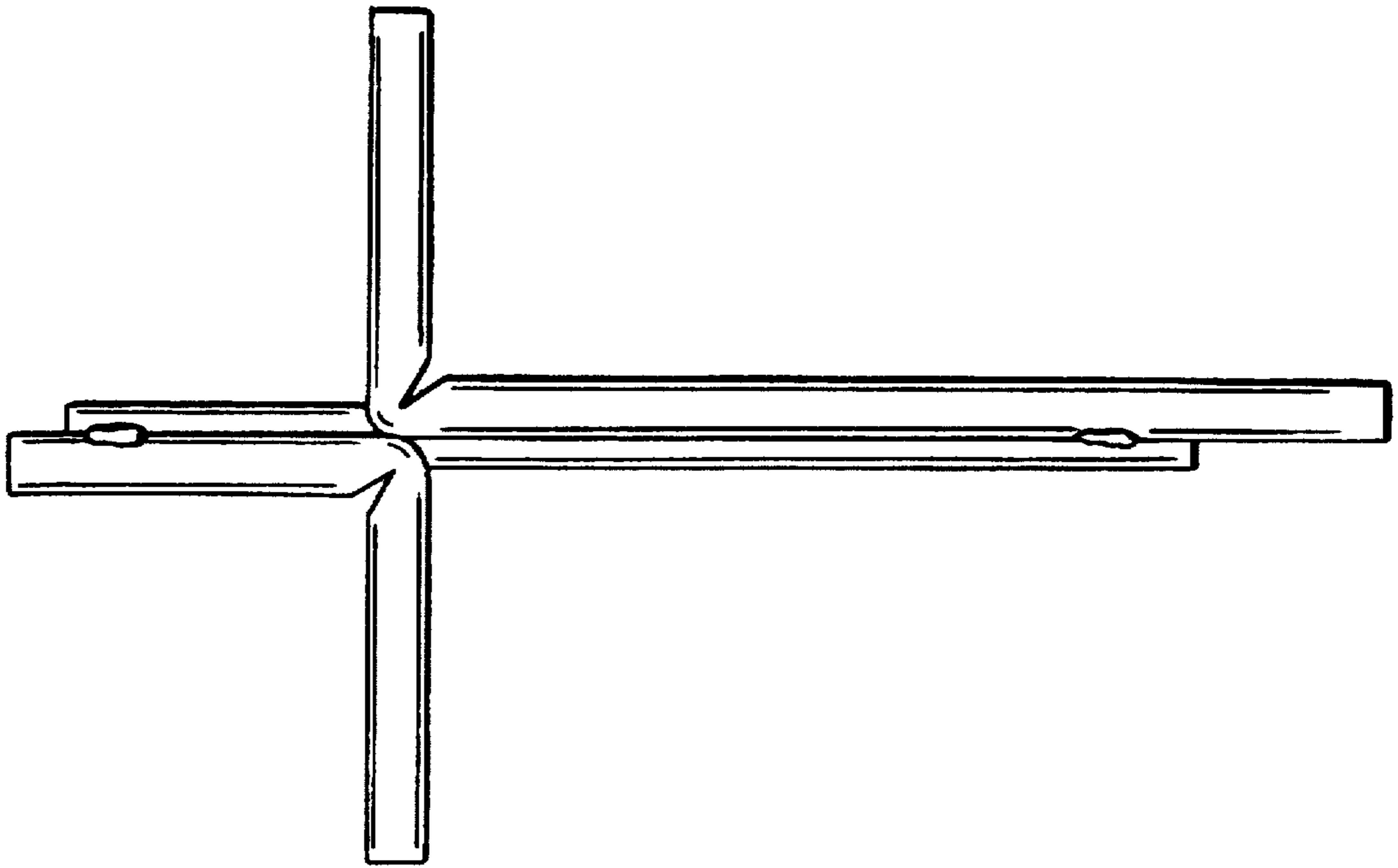


FIG. 2

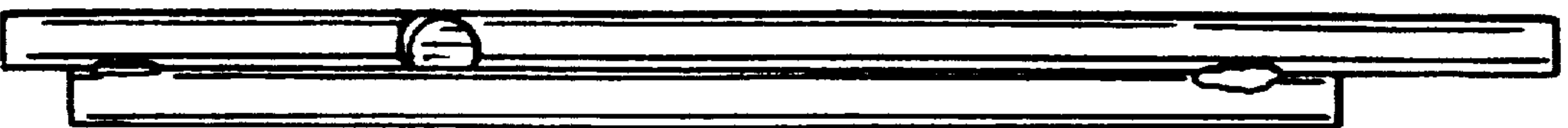


FIG. 1

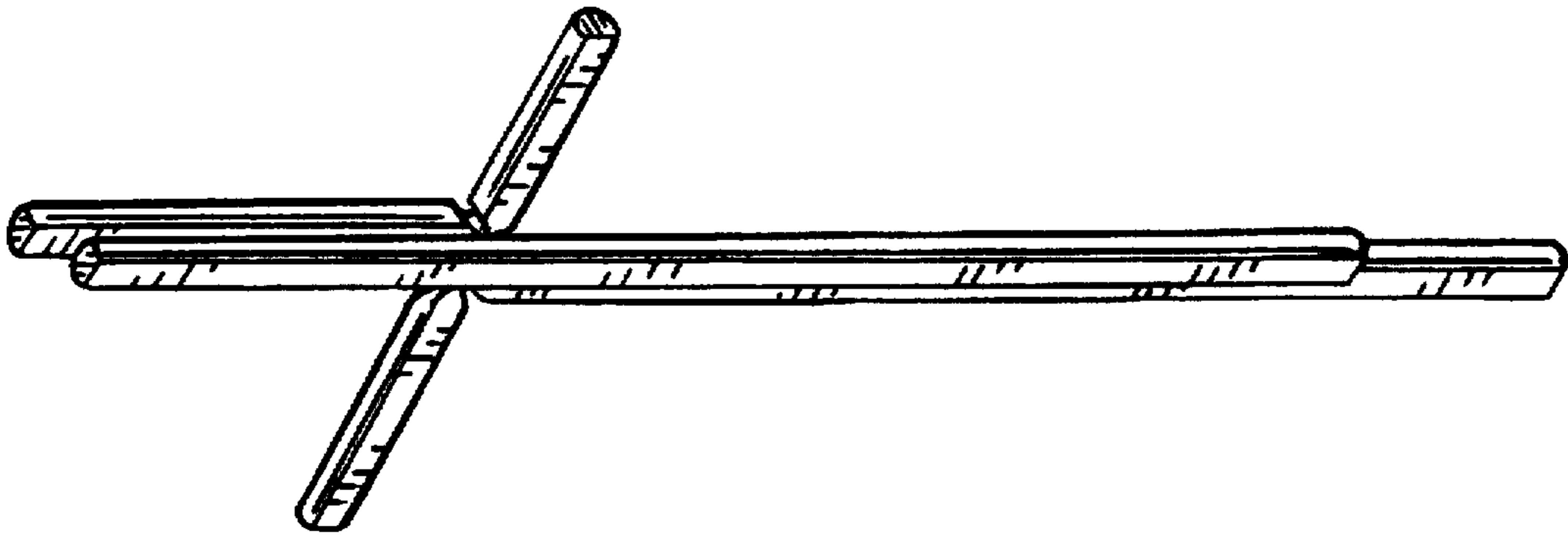


FIG. 7

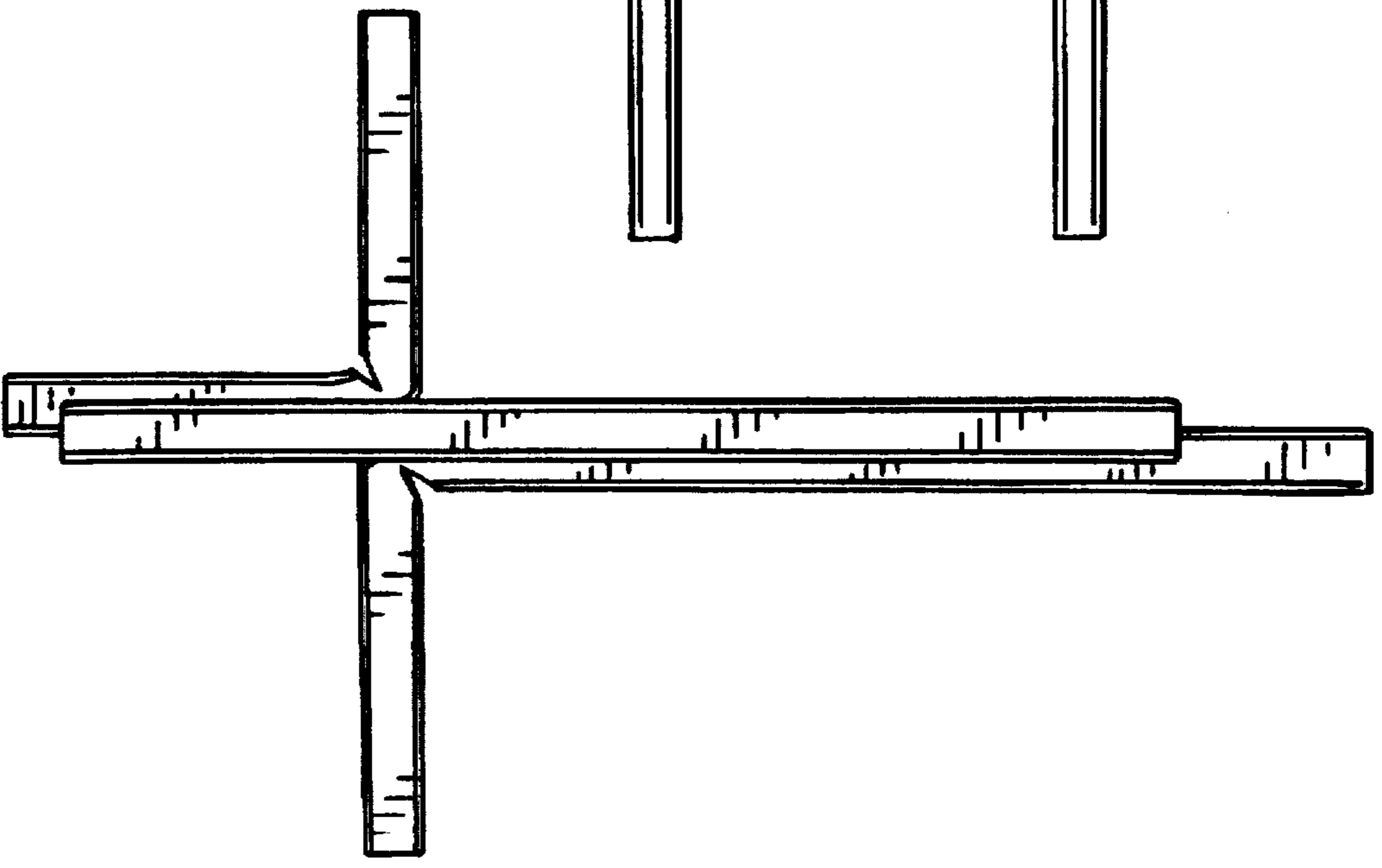


FIG. 4



FIG. 5



FIG. 6

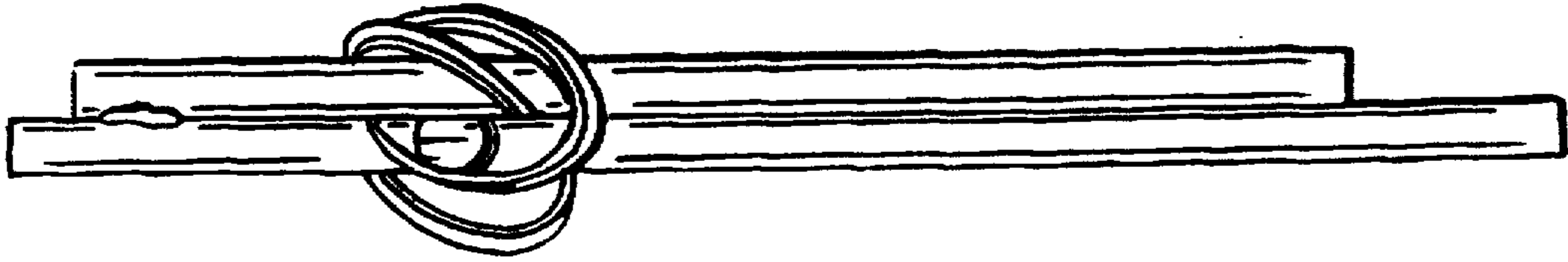


FIG. 10

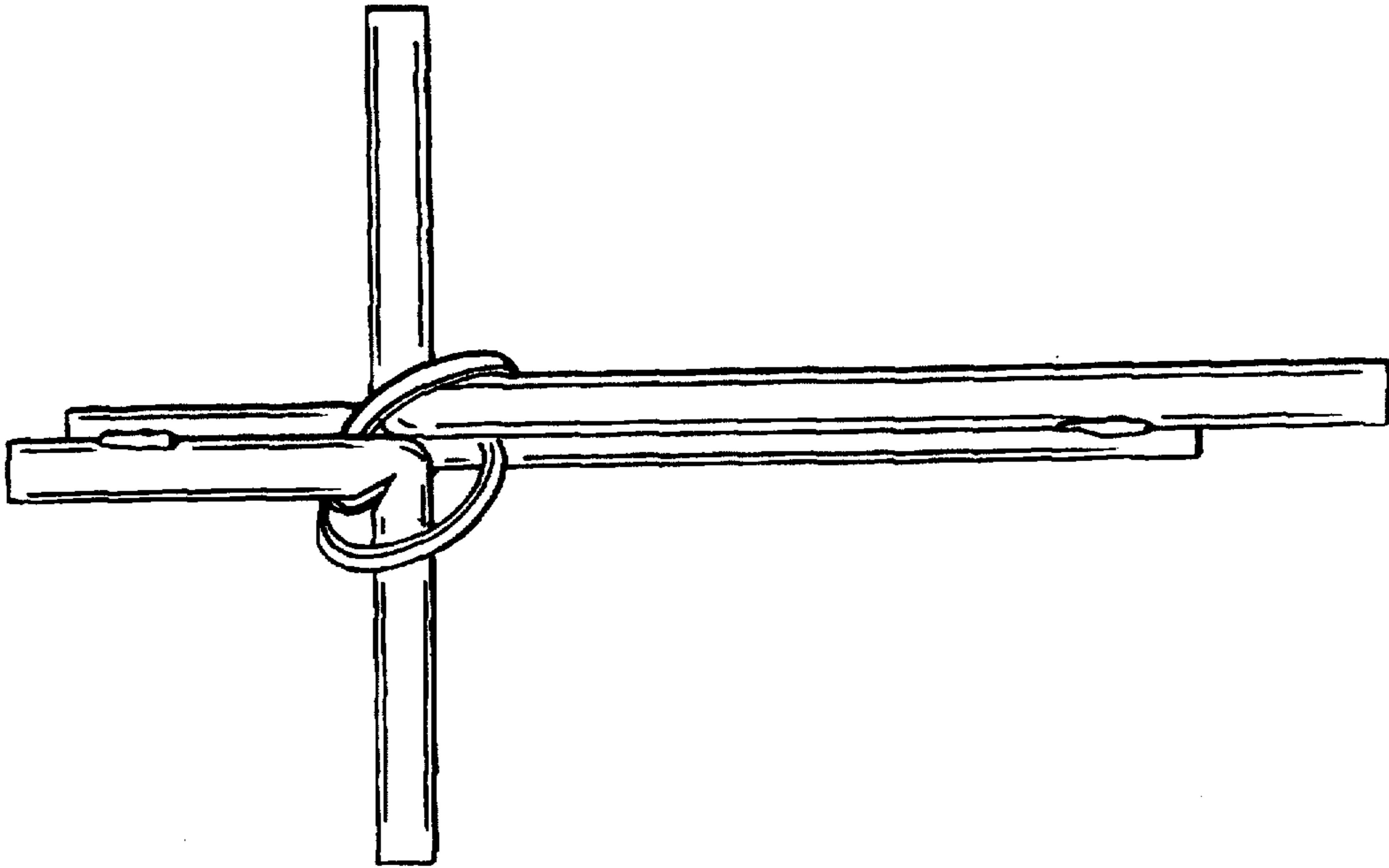


FIG. 9

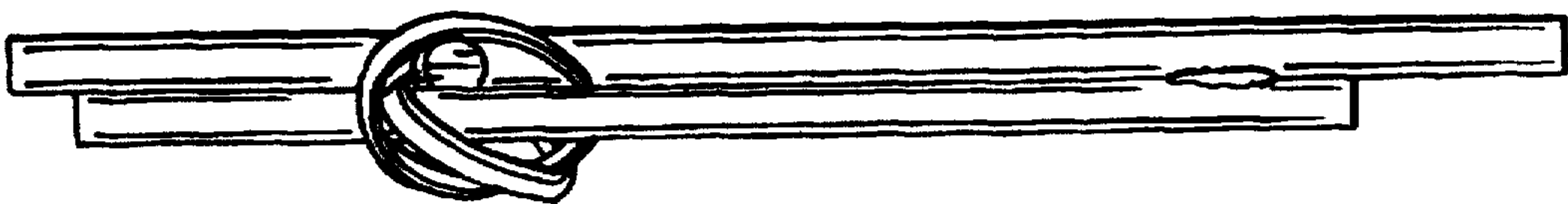


FIG. 8

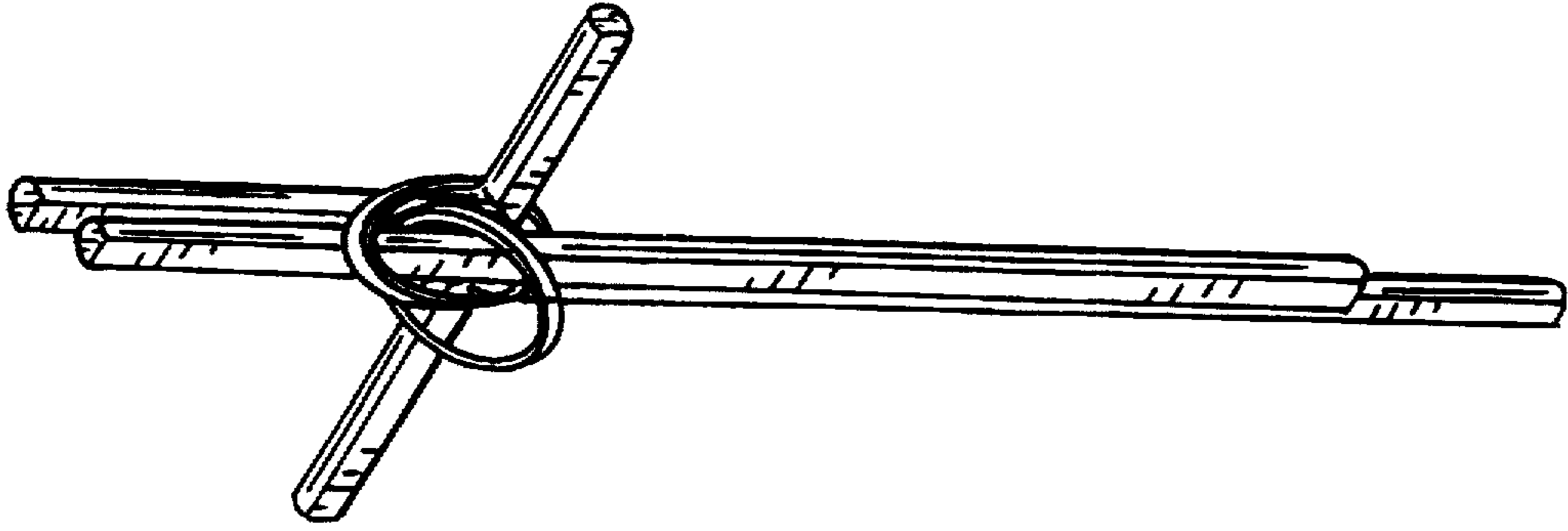


FIG. 14

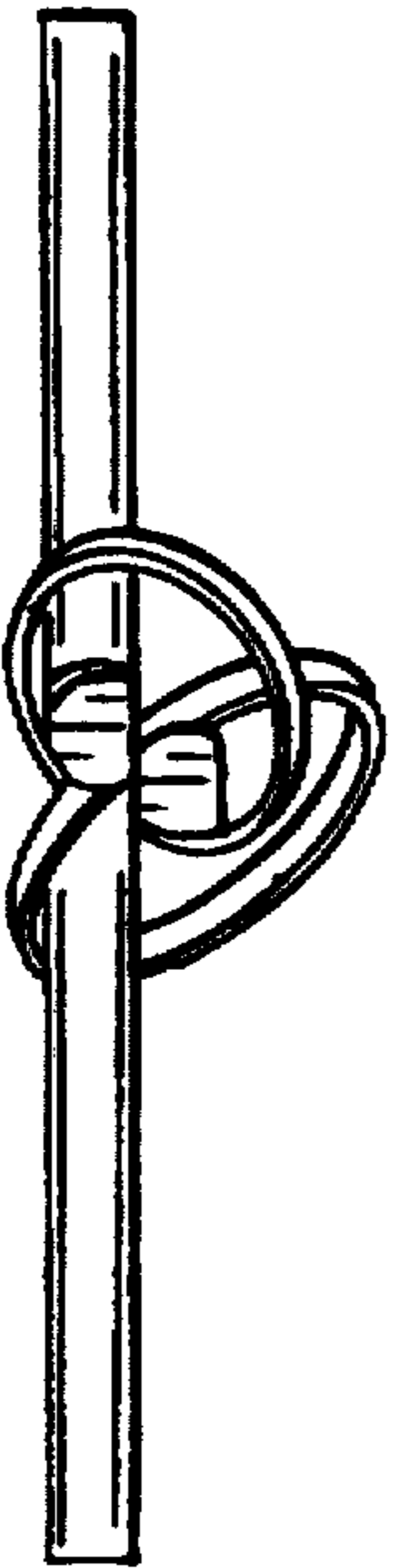


FIG. 11

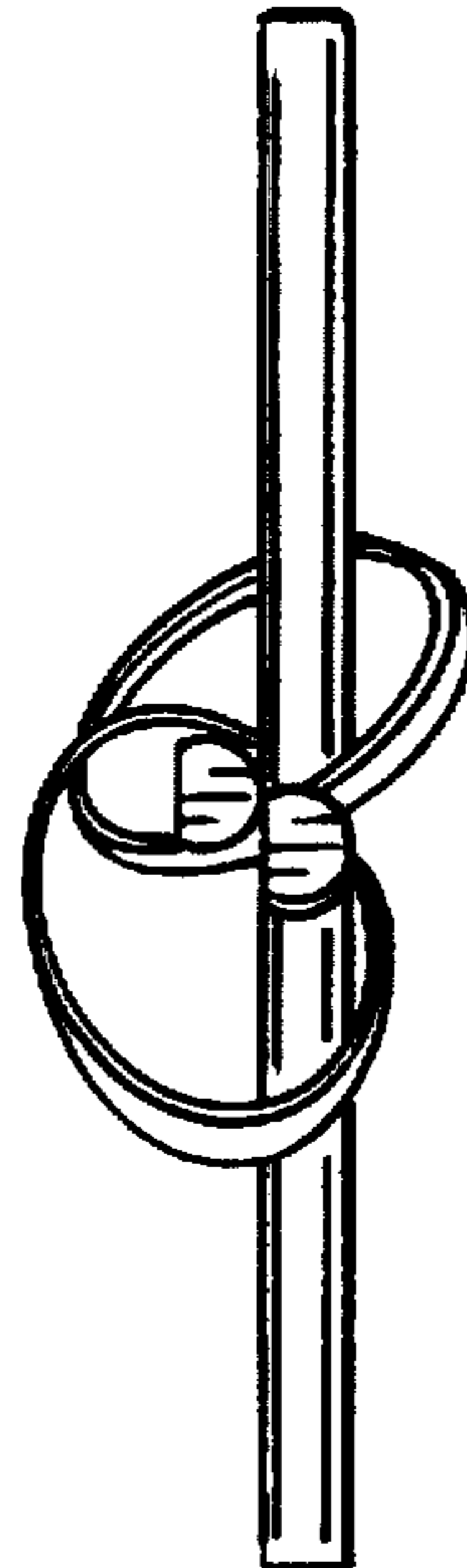


FIG. 12

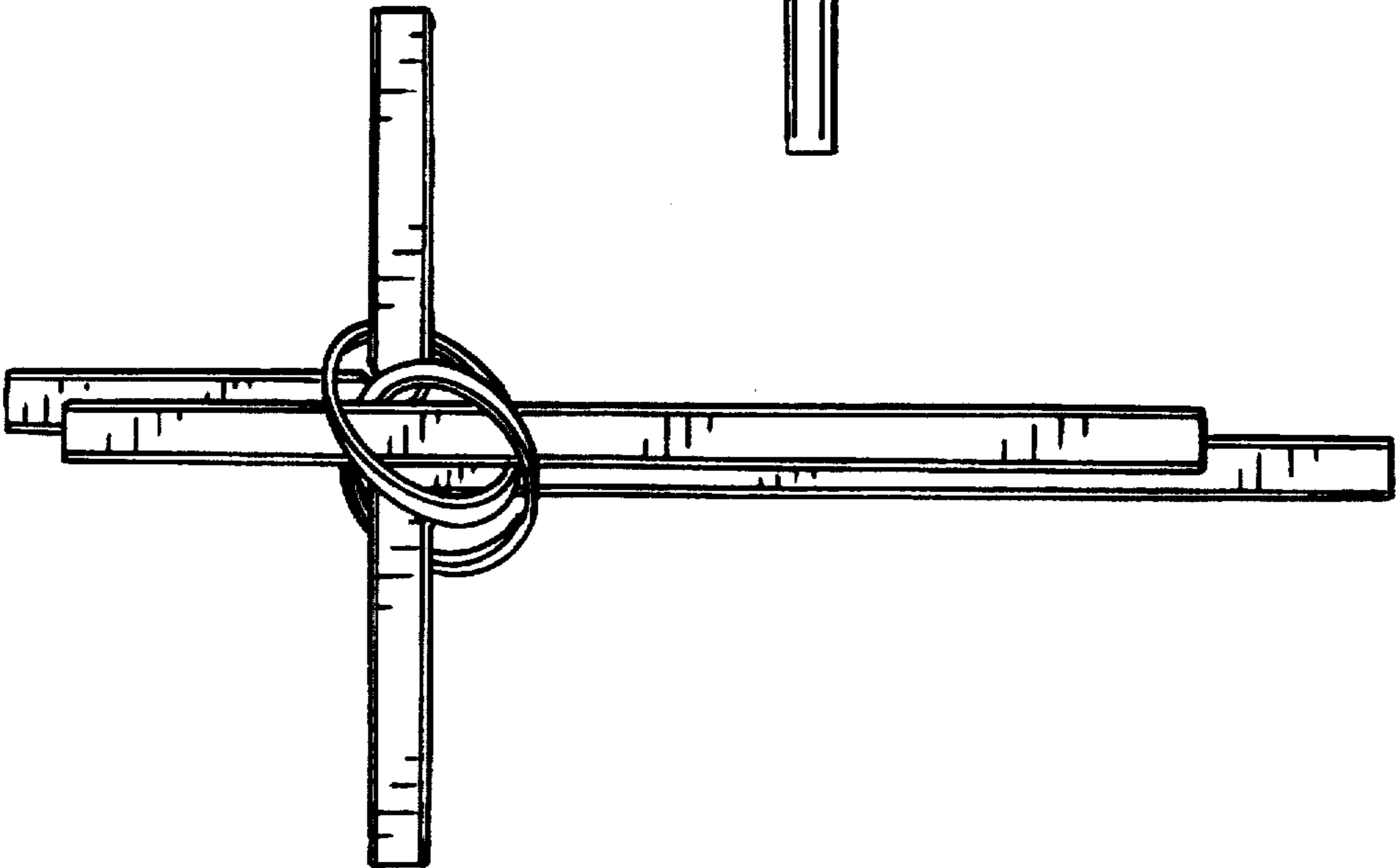


FIG. 13