



US00D408314S

**United States Patent** [19]  
**Kojima et al.**

[11] **Patent Number: Des. 408,314**  
[45] **Date of Patent: \*\*Apr. 20, 1999**

[54] **WATCH BAND**

D. 401,181 11/1998 Houlihan ..... D11/3

[75] **Inventors: Kazuyasu Kojima, Tachikawa; Masaki Koide, Tokyo, both of Japan**

*Primary Examiner*—Ralf Seifert  
*Attorney, Agent, or Firm*—Frishauf, Holtz, Goodman, Langer & Chick

[73] **Assignee: Casio Keisanki Kabushiki Kaisha, Tokyo, Japan**

[57] **CLAIM**

[\*\*] **Term: 14 Years**

The ornamental design for watch band, as shown and described.

[21] **Appl. No.: 29/094,884**

**DESCRIPTION**

[22] **Filed: Oct. 13, 1998**

FIG. 1 is a front elevational view of watch band showing our new design;

[51] **LOC (6) Cl. .... 11-01**

FIG. 2 is a right side elevational view thereof;

[52] **U.S. Cl. .... D11/3**

FIG. 3 is a left side elevational view thereof;

[58] **Field of Search .... D11/1-6, 12-25; 63/1.1-3, 21; D10/32; 368/281, 282, 276; 224/152, 164**

FIG. 4 is a top plan view thereof;

FIG. 5 is a bottom plan view thereof;

FIG. 6 is a rear elevational view thereof;

FIG. 7 is a perspective view thereof;

[56] **References Cited**

FIG. 8 is a front view thereof with one side viewed in the direction of the arrow A-A thereof; and,

**U.S. PATENT DOCUMENTS**

FIG. 9 is a front view thereof with one side viewed in the direction of the arrow B-B thereof.

D. 334,150	3/1993	Cuddeback et al. ....	D11/3
D. 378,807	4/1997	Houlihan .....	D11/3
D. 382,828	8/1997	Houlihan .....	D11/3
D. 387,298	12/1997	Hanagata .....	D11/3

**1 Claim, 2 Drawing Sheets**

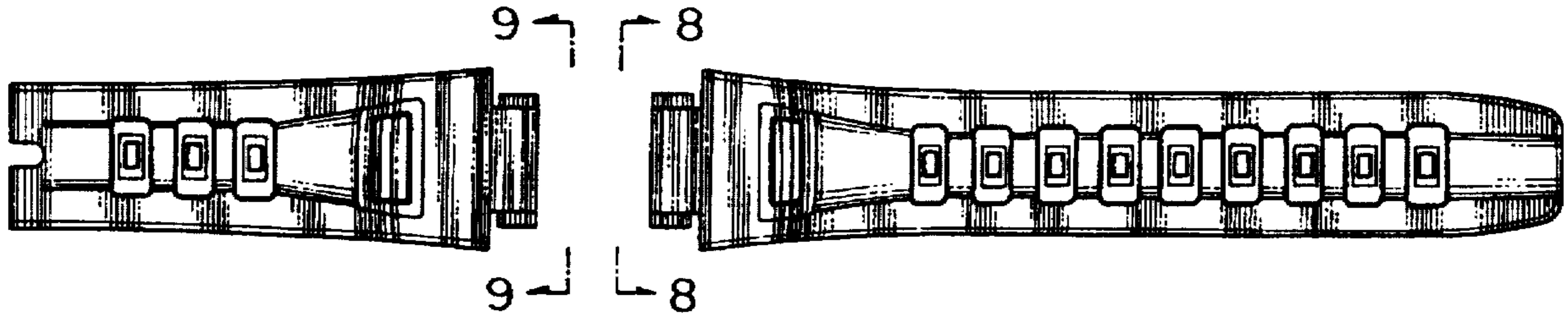


FIG.4

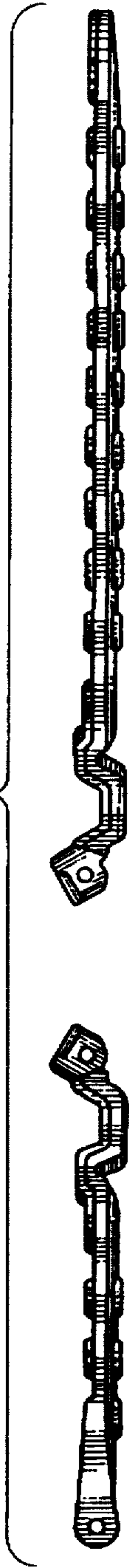


FIG.1

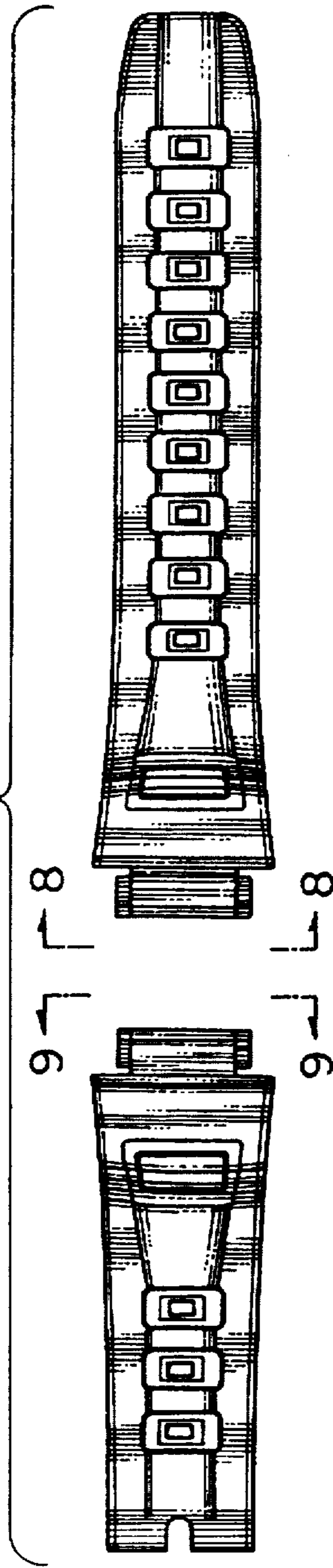


FIG.5

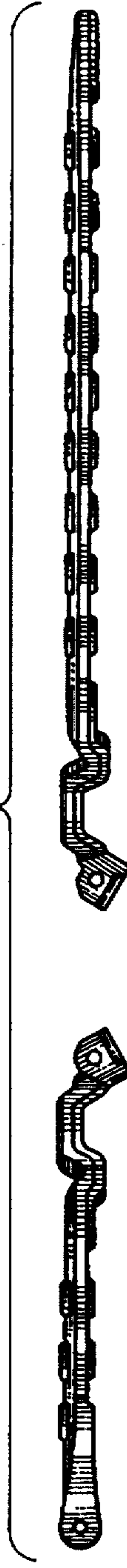


FIG.6

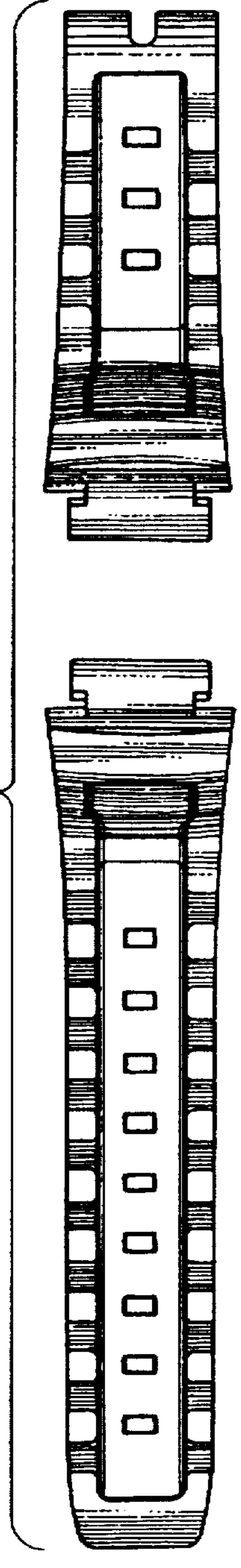
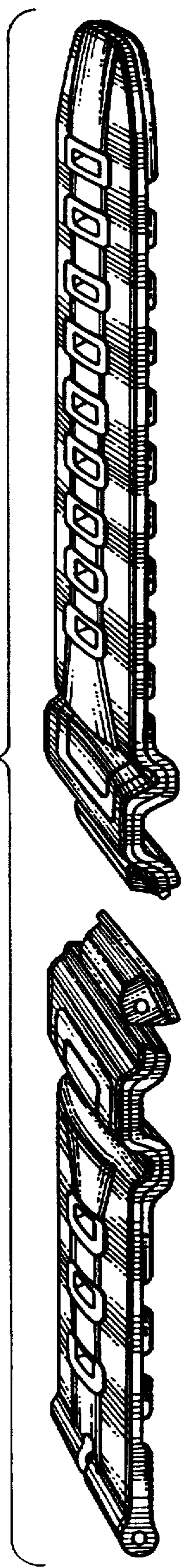


FIG. 3    FIG. 9    FIG. 8    FIG. 2



FIG. 7



UNITED STATES PATENT AND TRADEMARK OFFICE  
**CERTIFICATE OF CORRECTION**

PATENT NO. : Des. 408,314  
DATED : April 20, 1999  
INVENTOR(S) : Kojima et al.

It is certified that error appears in the above-identified patent and that said Letters Patent is hereby corrected as shown below:

In the Title page, under the heading DESCRIPTION,

Lines 9-10 (description of Fig. 8), change "view thereof with one side viewed in the direction of the arrow A-A thereof; and" to --elevational view taken in the direction of 8-8 in Fig. 1; and--;

Lines 11-12 (description of Fig. 9), change "view thereof with one side viewed in the direction of the arrow B-B thereof." to --elevational view taken in the direction 9-9 of Fig. 1.--

Signed and Sealed this  
Eighteenth Day of April, 2000

Attest:



Q. TODD DICKINSON

Attesting Officer

Director of Patents and Trademarks