



US00D408311S

United States Patent [19]

Sone et al.

[11] Patent Number: **Des. 408,311**

[45] Date of Patent: ****Apr. 20, 1999**

[54] **AUDIBLE SIGNAL FOR ALARM UNITS**

[75] Inventors: **Takahiro Sone; Yoshio Imahori**, both of Shizuoka, Japan

[73] Assignee: **Star Micronics Co., Ltd.**, Shizuoka, Japan

[**] Term: **14 Years**

[21] Appl. No.: **29/076,066**

[22] Filed: **Sep. 5, 1997**

[30] **Foreign Application Priority Data**

Mar. 5, 1997 [JP] Japan 9-6439

[51] LOC (6) Cl. **10-05**

[52] U.S. Cl. **D10/116**

[58] **Field of Search** D10/104, 106, D10/116, 117, 118, 121; D13/152, 156; 340/384.1, 384.3, 384.7, 388.1, 390.1, 391.1, 392.1, 392.2, 392.4

[56] **References Cited**

U.S. PATENT DOCUMENTS

D. 350,705 9/1994 Sone D10/116

D. 378,746 4/1997 Imahori D10/116
2,984,832 5/1961 Gilman, III et al. 340/392
3,251,056 5/1966 Doggart 340/392

Primary Examiner—Marcus A. Jackson
Attorney, Agent, or Firm—Pollock, Vande Sande & Amernick

[57] **CLAIM**

The ornamental design for an audible signal for alarm units, as shown and described.

DESCRIPTION

FIG. 1 is a perspective view of an audible signal for alarm units showing my new design;
FIG. 2 is a front elevational view thereof;
FIG. 3 is a rear elevational view thereof;
FIG. 4 is a top plan view thereof (of which a bottom plan view would be the same as the top plan view);
FIG. 5 is a right side elevational view thereof (of which a left side elevational view would be the same as the top plan view); and,
FIG. 6 is a cross-sectional view thereof taken on line 6—6 of FIG. 2.

1 Claim, 4 Drawing Sheets

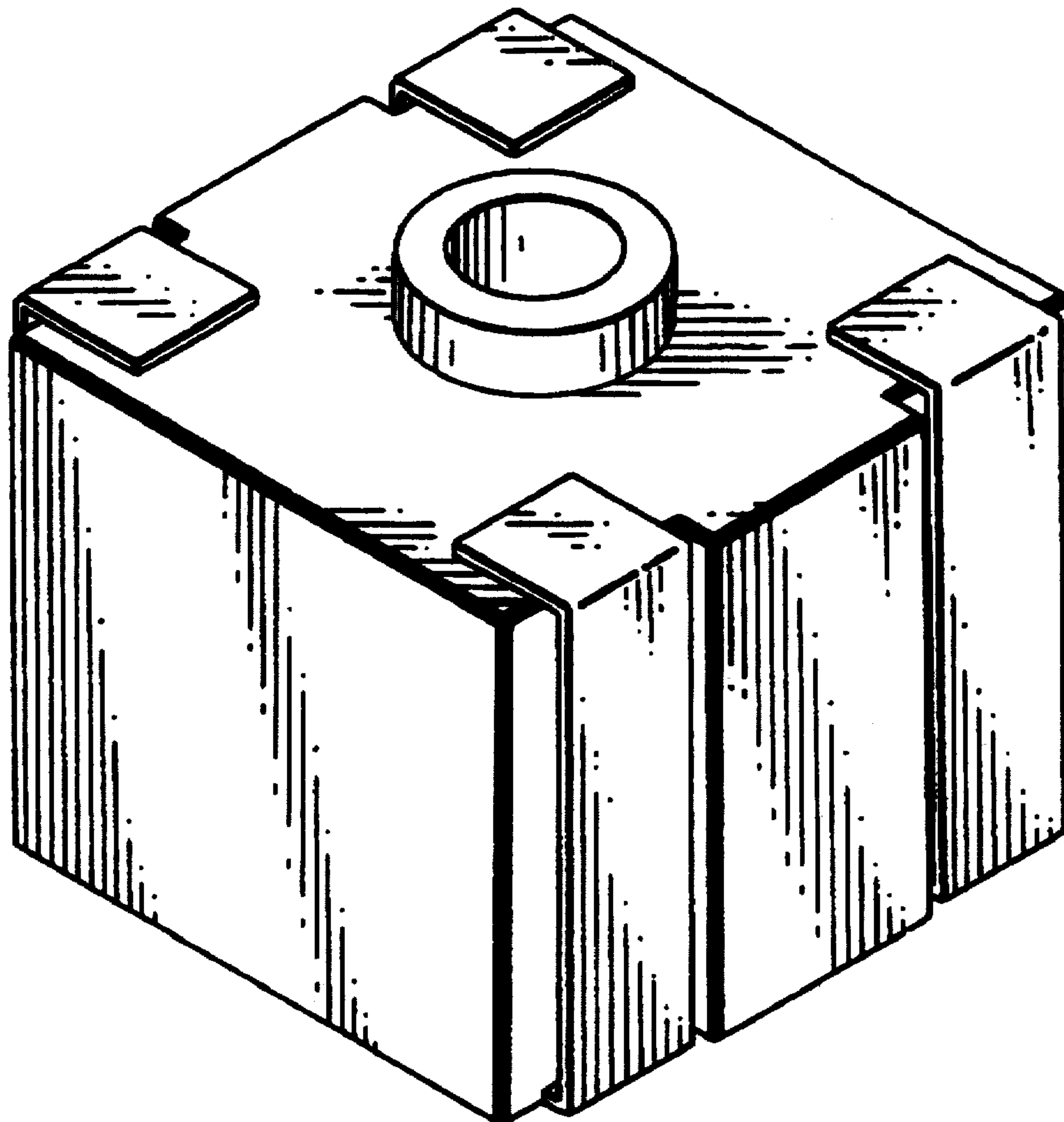


FIG. 1

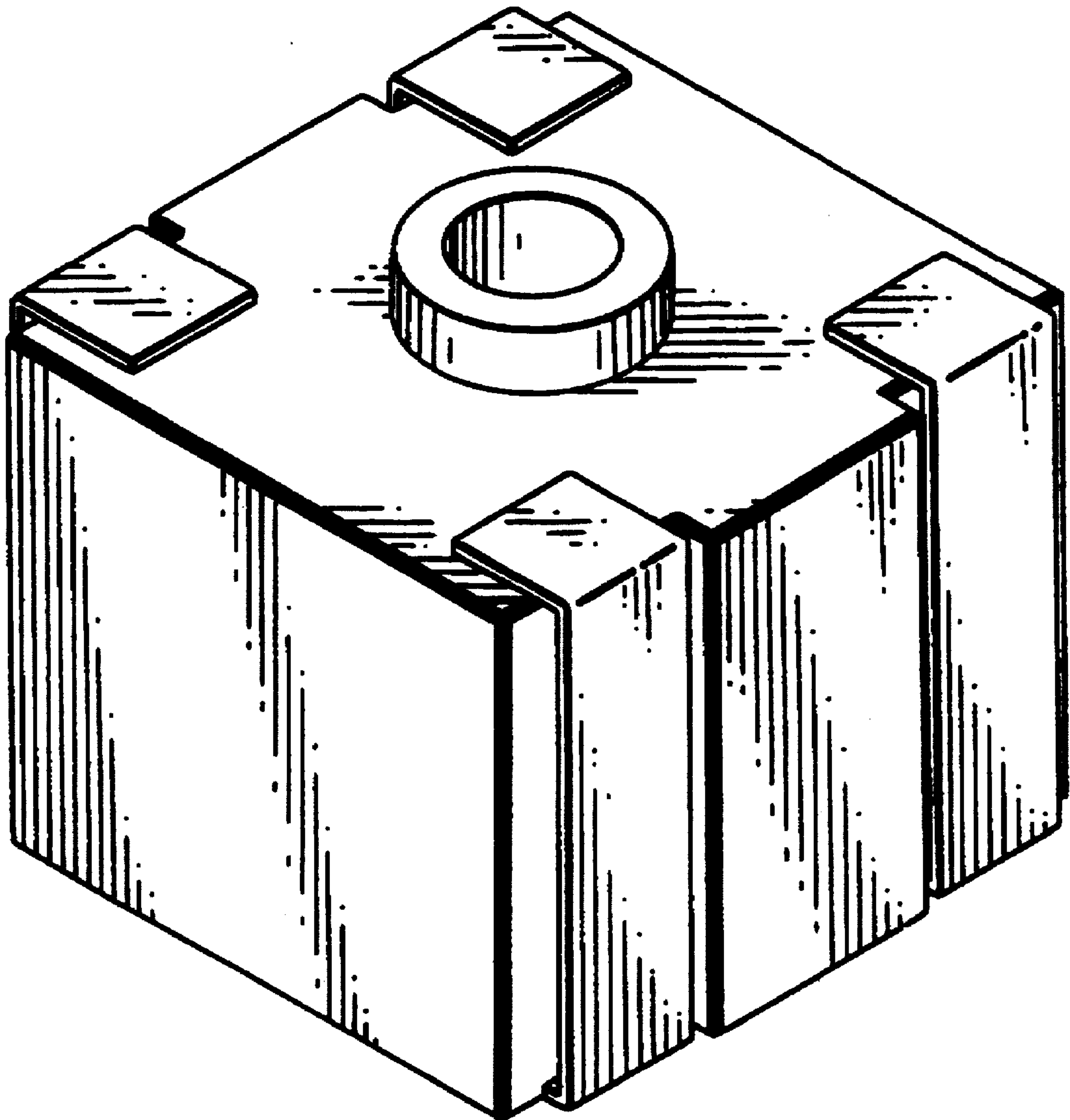


FIG. 2

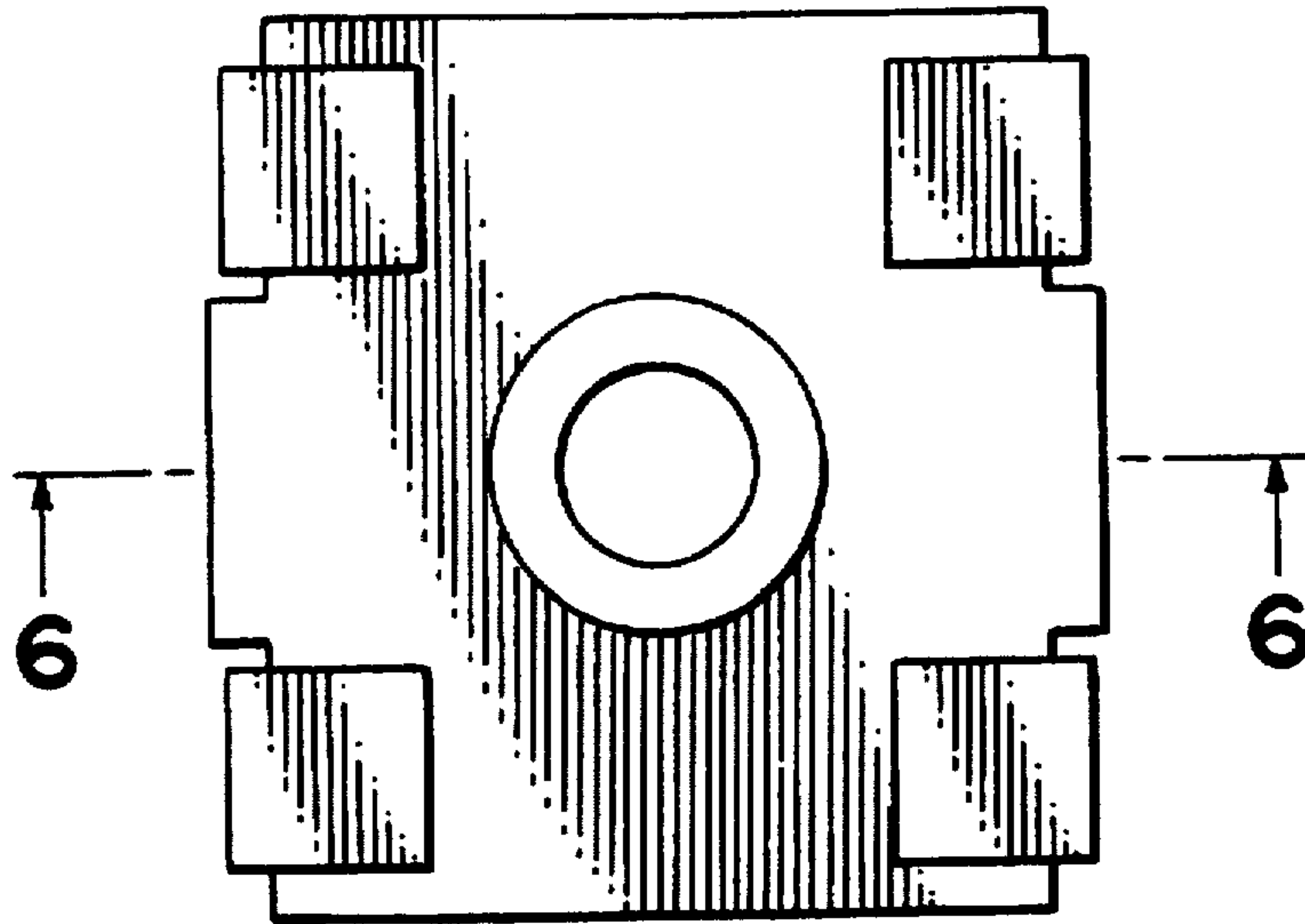


FIG. 3

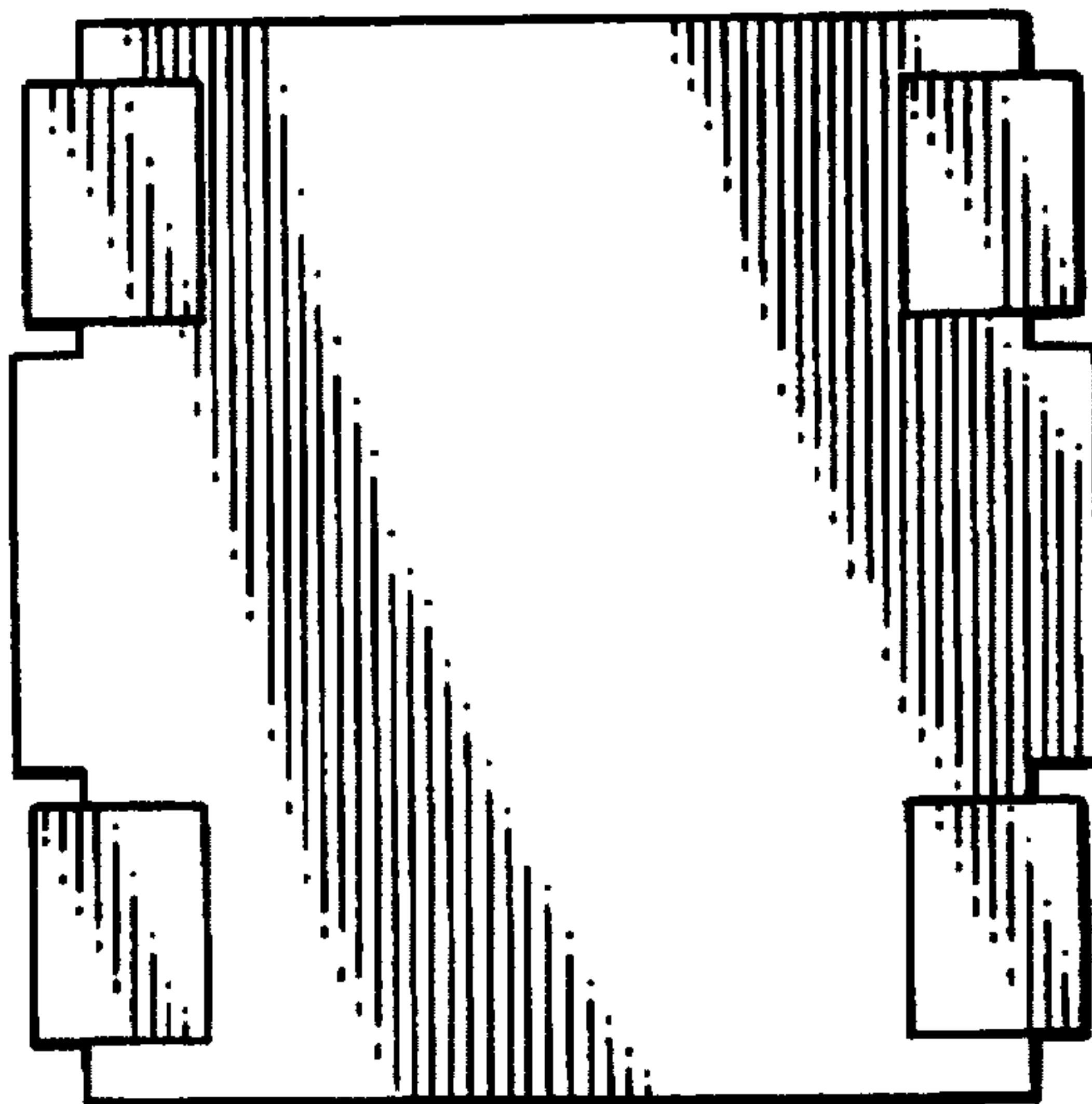


FIG. 4

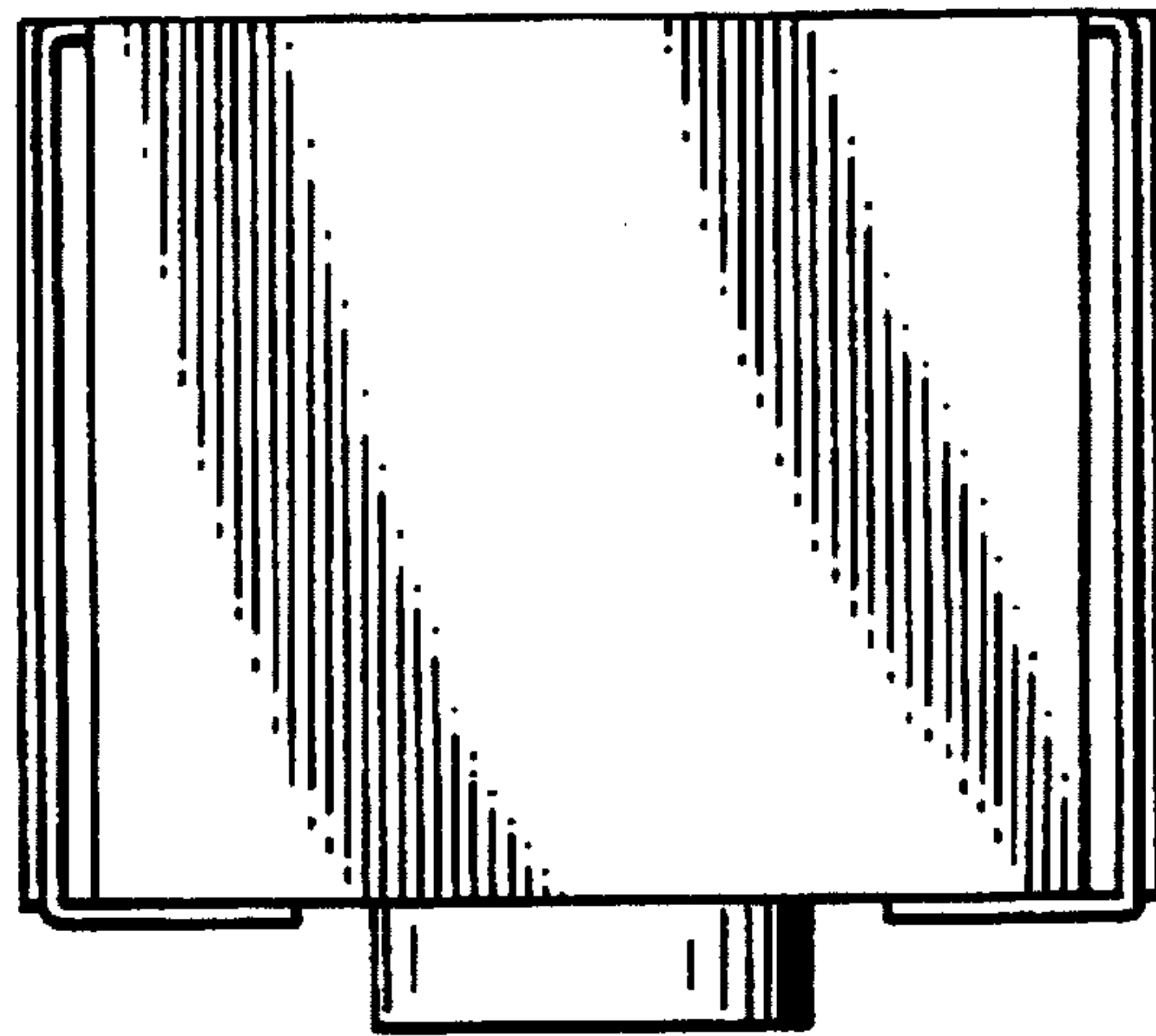


FIG. 5

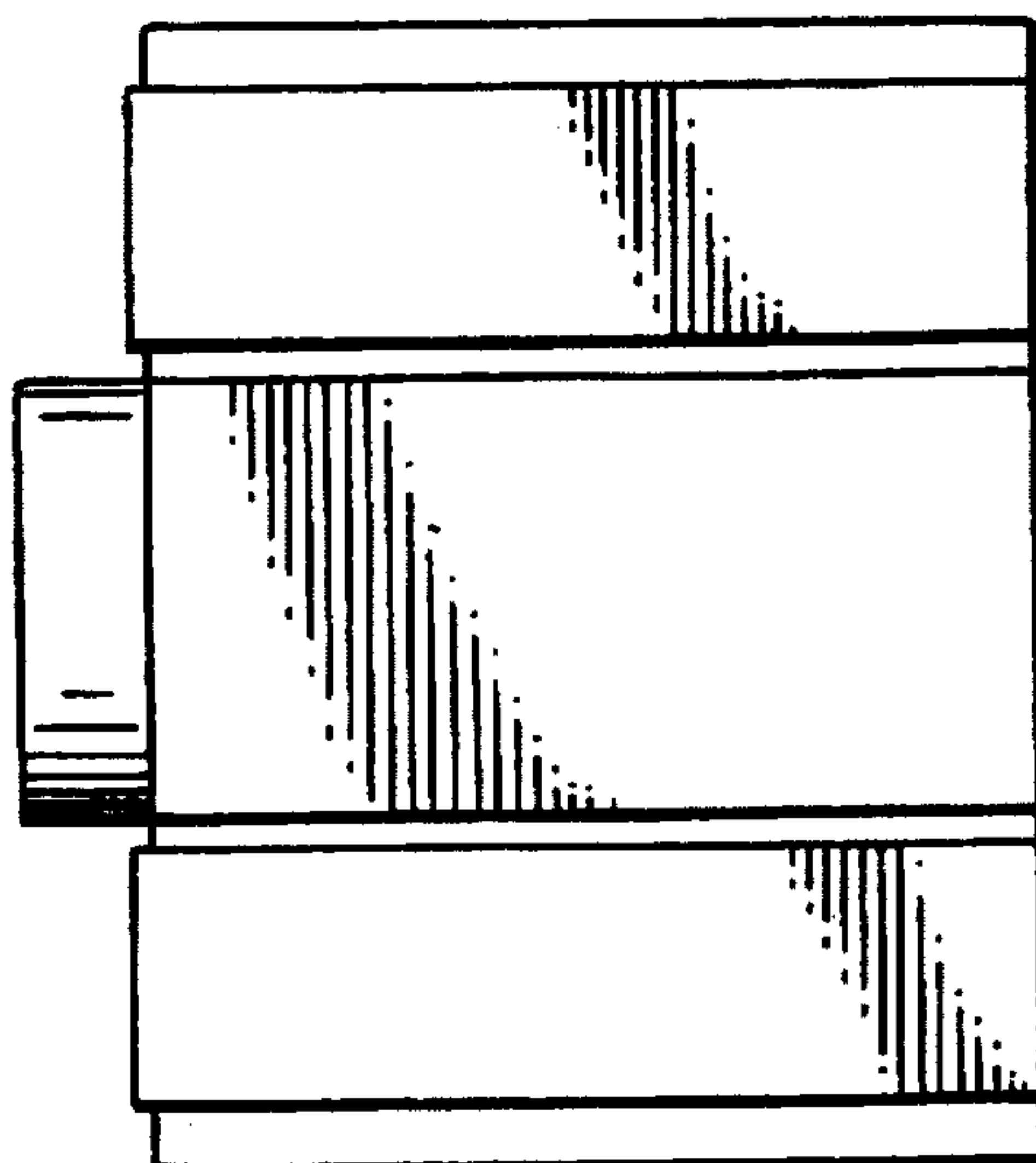


FIG. 6

