



US00D408307S

United States Patent [19]
Blye

[11] **Patent Number:** **Des. 408,307**
[45] **Date of Patent:** ****Apr. 20, 1999**

[54] **CIRCUIT TESTER**

D. 400,454 11/1998 Arnoux et al. D10/78

[75] **Inventor:** **Bruce A. Blye**, Commerce, Calif.

Primary Examiner—Antoine Duval Davis
Attorney, Agent, or Firm—Edgar W. Averill, Jr.

[73] **Assignee:** **National Electric Mfg. Corp.**,
Commerce, Calif.

[**] **Term:** **14 Years**

[57] **CLAIM**

The ornamental design for a circuit tester, as shown.

[21] **Appl. No.:** **29/088,668**

[22] **Filed:** **May 29, 1998**

DESCRIPTION

[51] **LOC (6) CL** **10-04**

[52] **U.S. Cl.** **D10/78**

[58] **Field of Search** D10/78; D19/49,
D19/56; 324/22.5, 133, 149, 158, 501,
519, 527, 530, 555, 556

FIG. 1 is an exploded perspective view showing the back, top and right side of the circuit tester showing my new design; and,

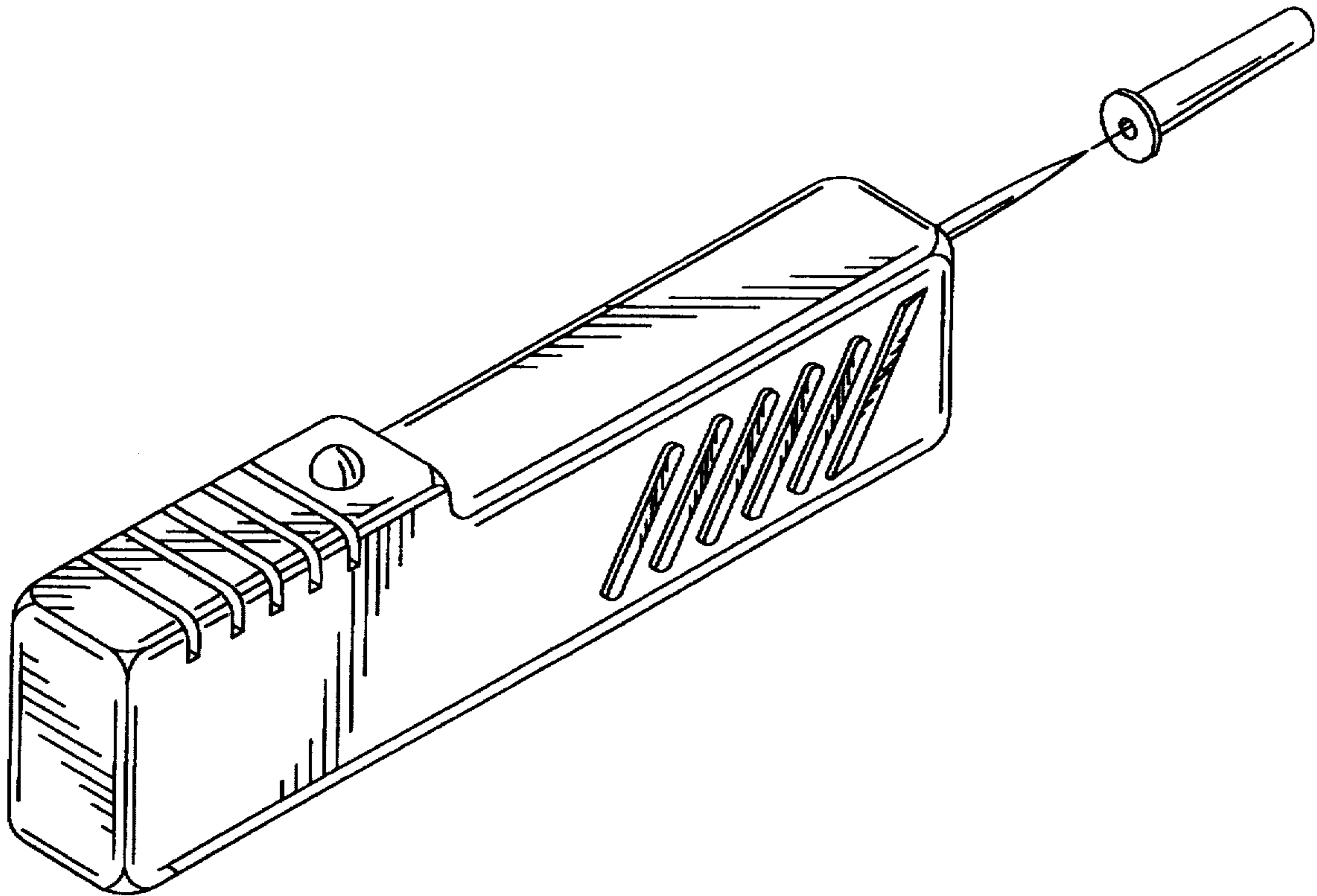
FIG. 2 is a perspective view showing the front, top and left side of the circuit tester of FIG. 1.

[56] **References Cited**

U.S. PATENT DOCUMENTS

D. 389,419 1/1998 Beha D10/78

1 Claim, 1 Drawing Sheet



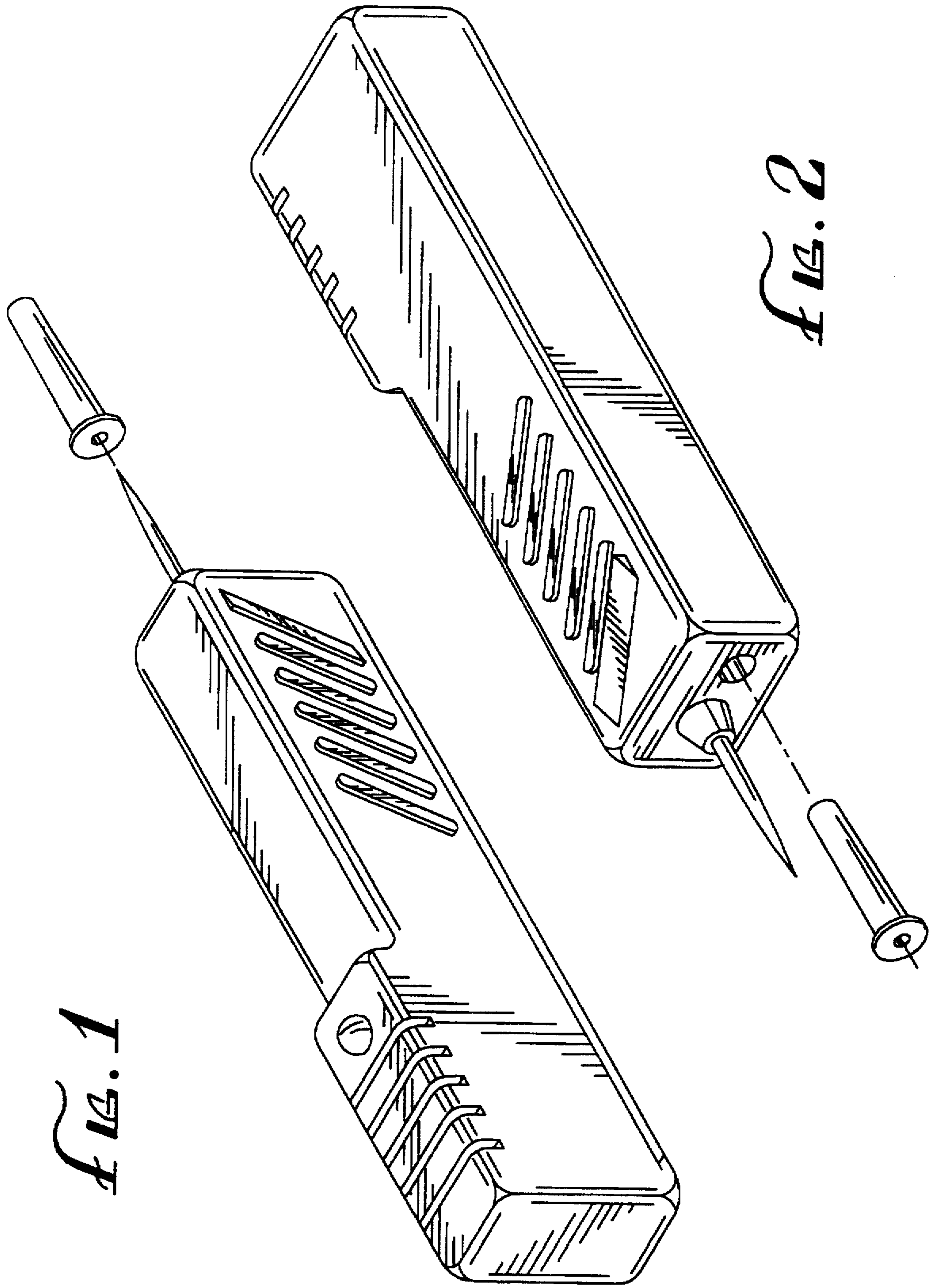


FIG. 1

FIG. 2