



US00D408306S

United States Patent [19]

Cross

[11] Patent Number: Des. 408,306

[45] Date of Patent: **Apr. 20, 1999

[54] **SLIP-ON WRIST CASE FOR HIKING/
OUTDOOR INSTRUMENTS SUCH AS
THERMOMETERS, COMPASSES, CLOCKS,
SIGNAL MIRRORS, HYGROMETERS AND
THE LIKE**

[75] Inventor: Gregory L. Cross, Arvada, Colo.

[73] Assignee: Sun Company, Inc., Arvada, Colo.

[**] Term: 14 Years

[21] Appl. No.: 29/084,248

[22] Filed: Feb. 27, 1998

[51] LOC (6) CL 10-04

[52] U.S. CL. D10/74; D10/53; D10/60;
D10/103

[58] Field of Search D10/53, 60, 74,
D10/103; 374/136, 208, 209; 206/305,
306; 73/334, 431

[56] References Cited

U.S. PATENT DOCUMENTS

- D. 318,436 7/1991 Cross .
- D. 322,370 12/1991 Cross et al. D10/74 X
- D. 322,412 12/1991 Cross et al. .
- D. 349,054 7/1994 Cross et al. .
- D. 377,761 2/1997 Cross .
- D. 377,913 2/1997 Cross .

Primary Examiner—Antoine Duval Davis
Attorney, Agent, or Firm—Klaas, Law, O'Meara & Malkin,
P.C.; William P. O'Meara

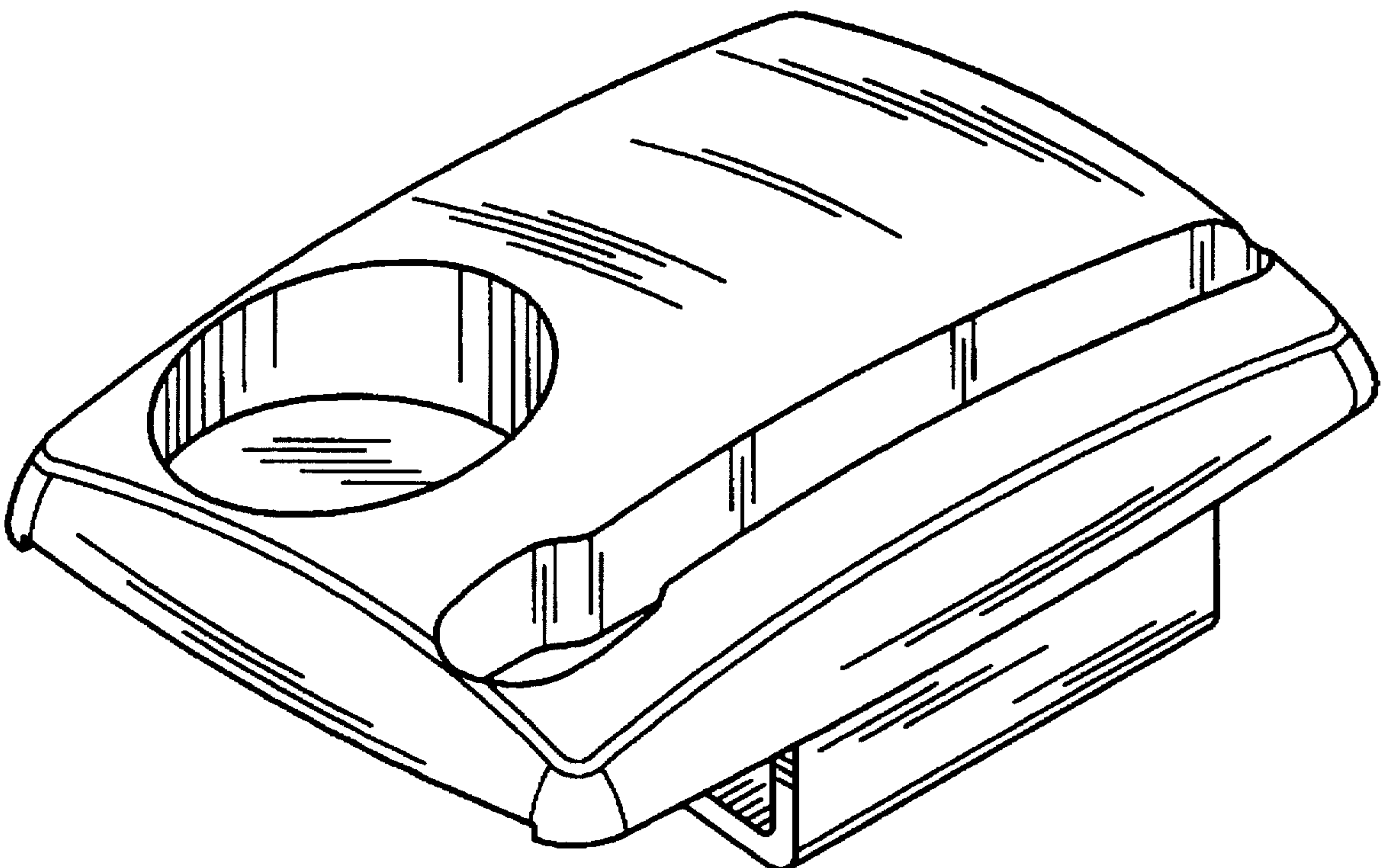
[57] CLAIM

The ornamental design for slip-on wrist case for hiking/
outdoor instruments such as thermometers, compasses,
clocks, signal mirrors, hygrometers and the like, as shown
described.

DESCRIPTION

FIG. 1 is an isometric view of a first embodiment of the
slip-on wrist case for hiking/outdoor instruments such as
thermometers, compasses, clocks, signal mirrors, hygrom-
eters and the like of my new design;
FIG. 2 is a top plan view thereof;
FIG. 3 is a bottom plan view thereof;
FIG. 4 is a front elevational view thereof;
FIG. 5 is a rear elevational view thereof;
FIG. 6 is a right side elevational view thereof; and
FIG. 7 is a left side elevational view thereof;
FIG. 8 is an isometric view of a second embodiment of a
slip-on wrist case for hiking/outdoor instruments such as
thermometers, compasses, clocks, signal mirrors, hygrom-
eters and the like of my new design;
FIG. 9 is a top plan view of the second embodiment;
FIG. 10 is a bottom plan view of the second embodiment;
FIG. 11 is a front elevational view of the second embodi-
ment;
FIG. 12 is a rear elevational view of the second embodiment;
FIG. 13 is a right side elevational view of the second
embodiment; and,
FIG. 14 is a left side elevational view of the second
embodiment.

1 Claim, 6 Drawing Sheets



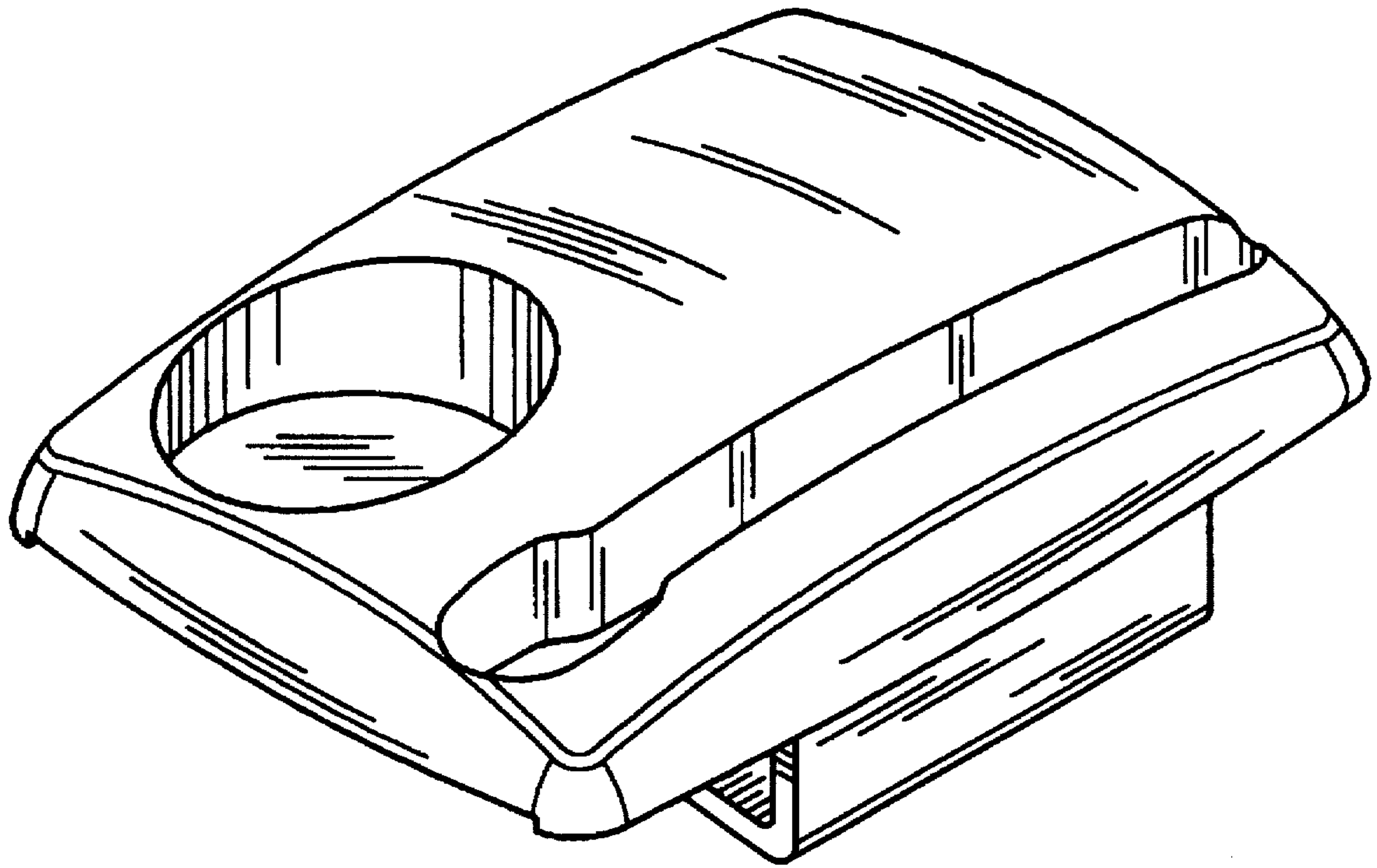


FIG. 1

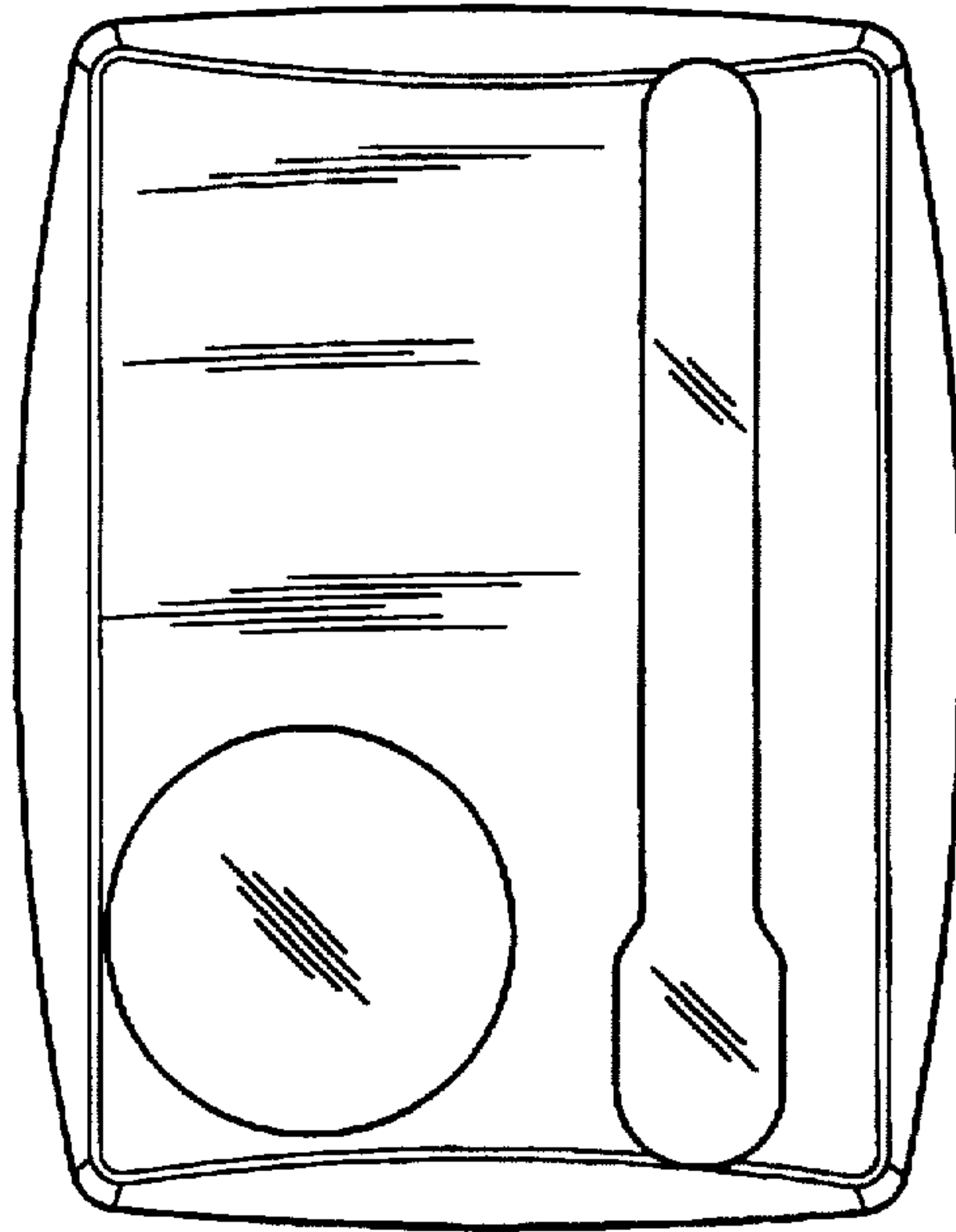


FIG. 2

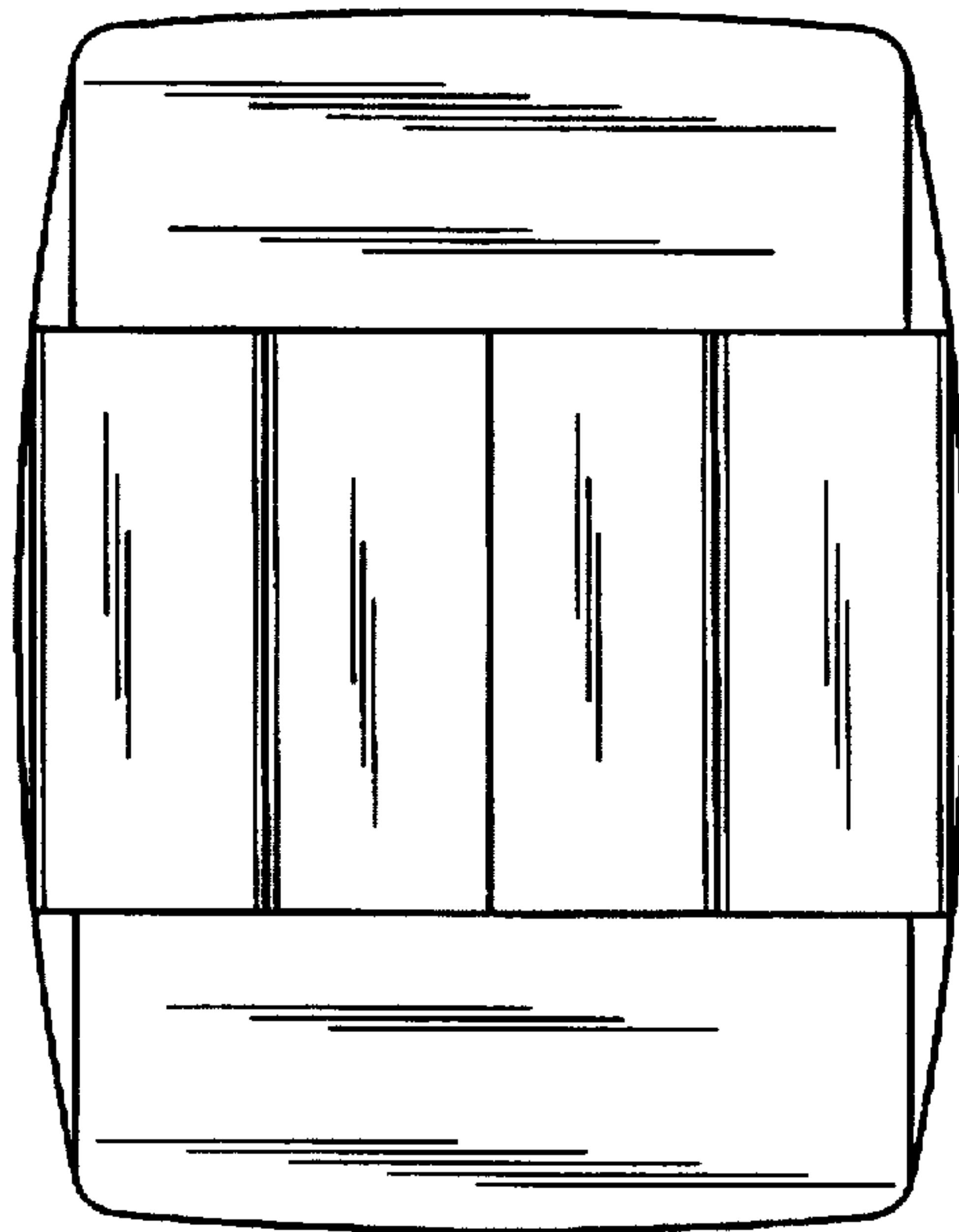


FIG. 3

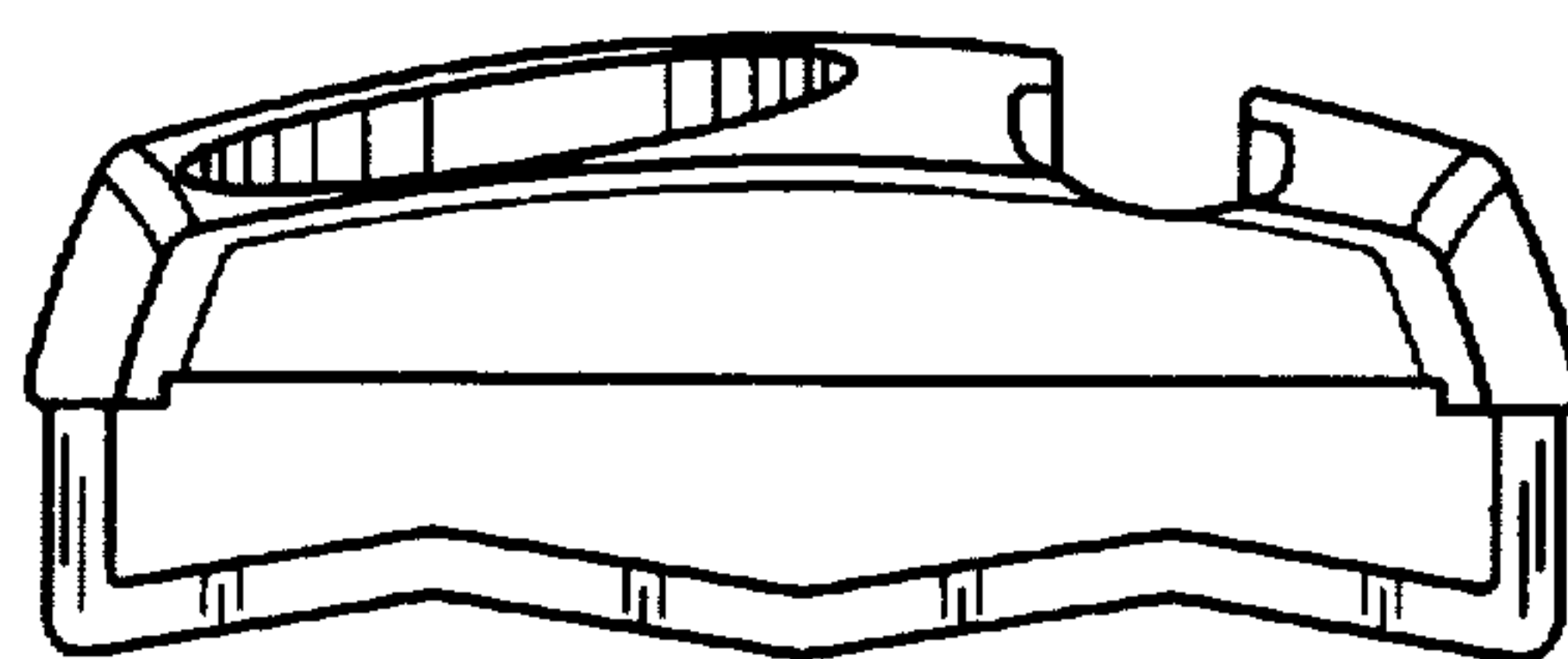


FIG. 4

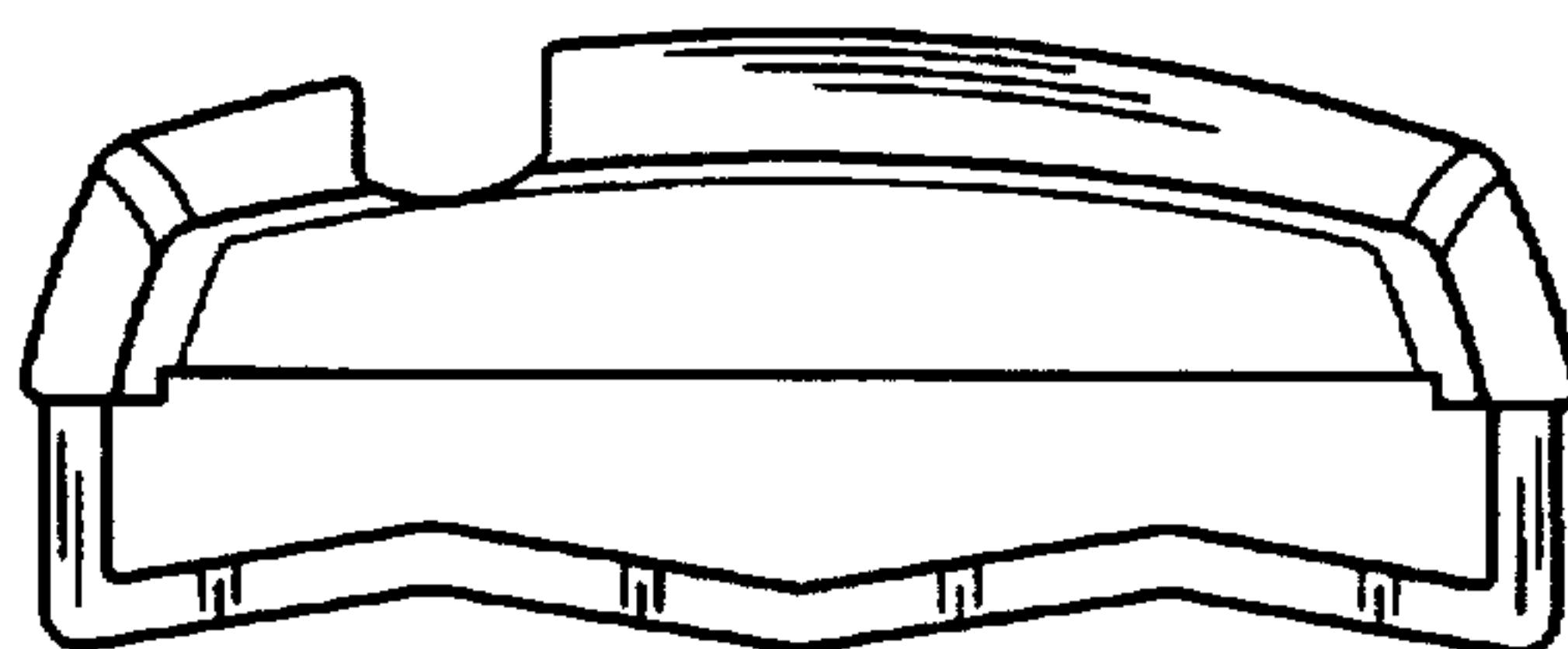


FIG. 5

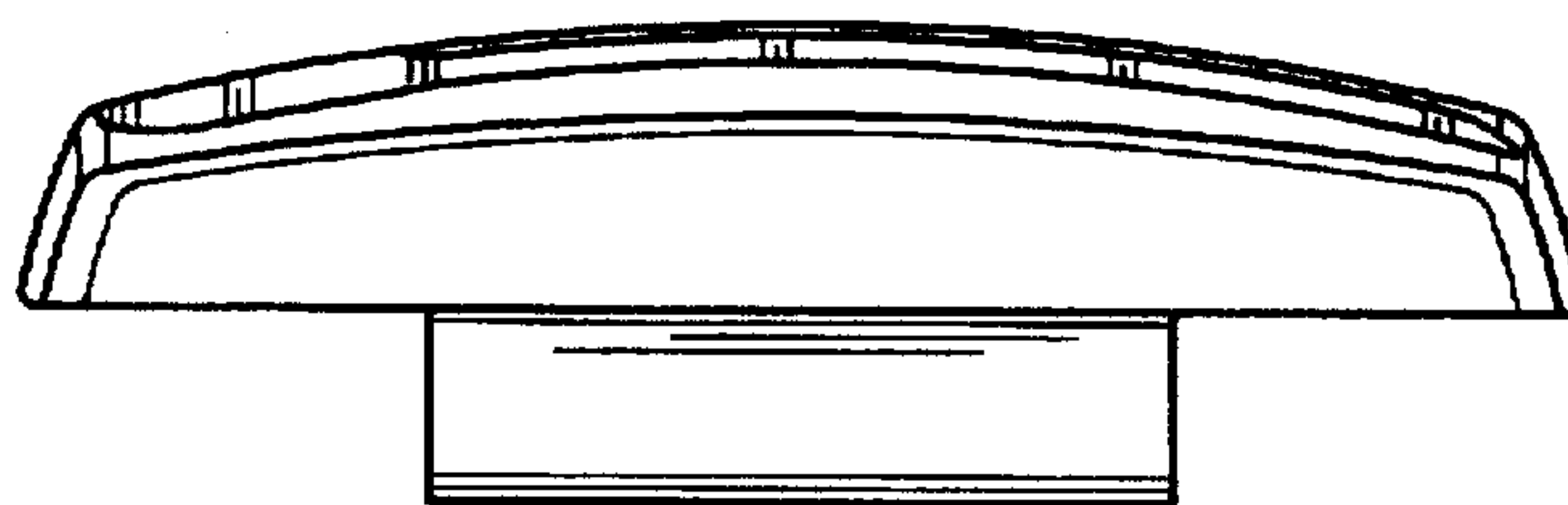


FIG. 6

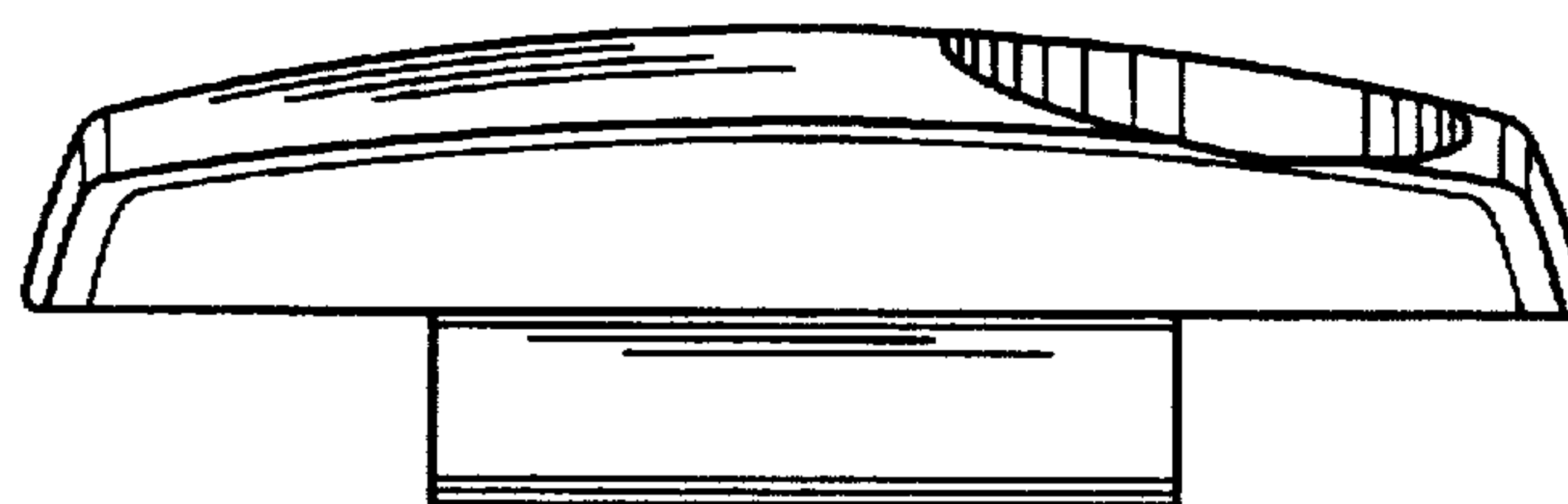


FIG. 7

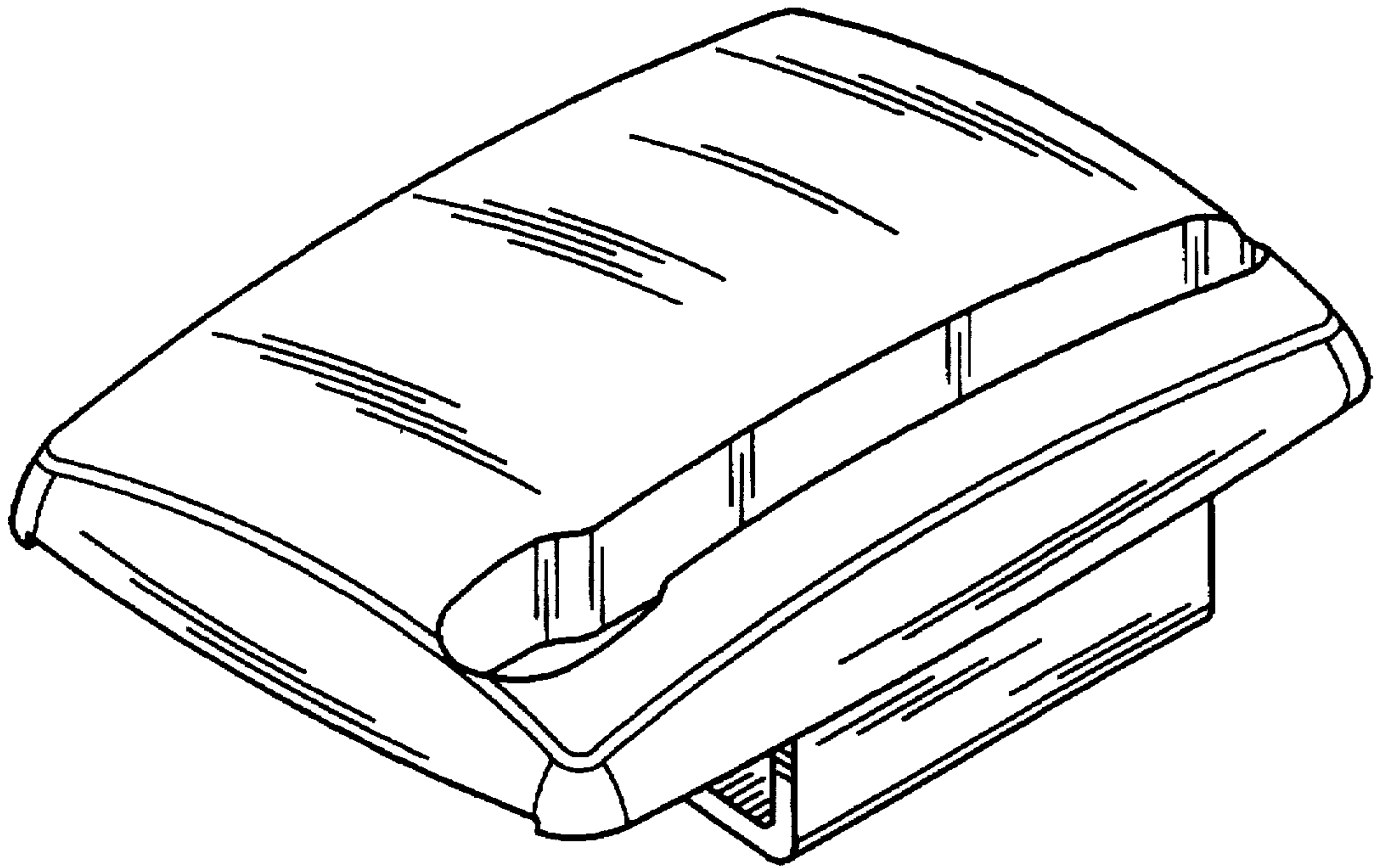


FIG. 8

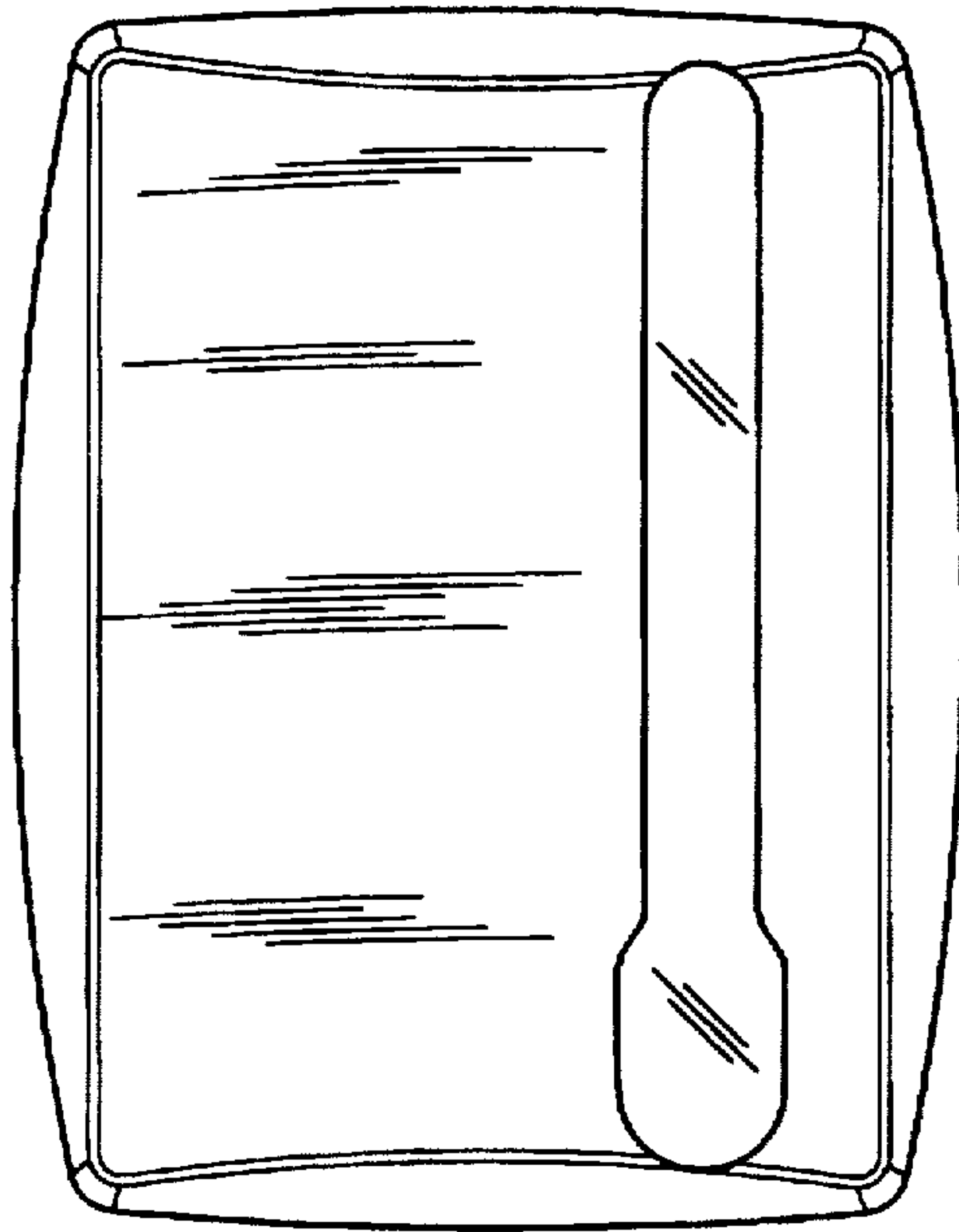


FIG. 9

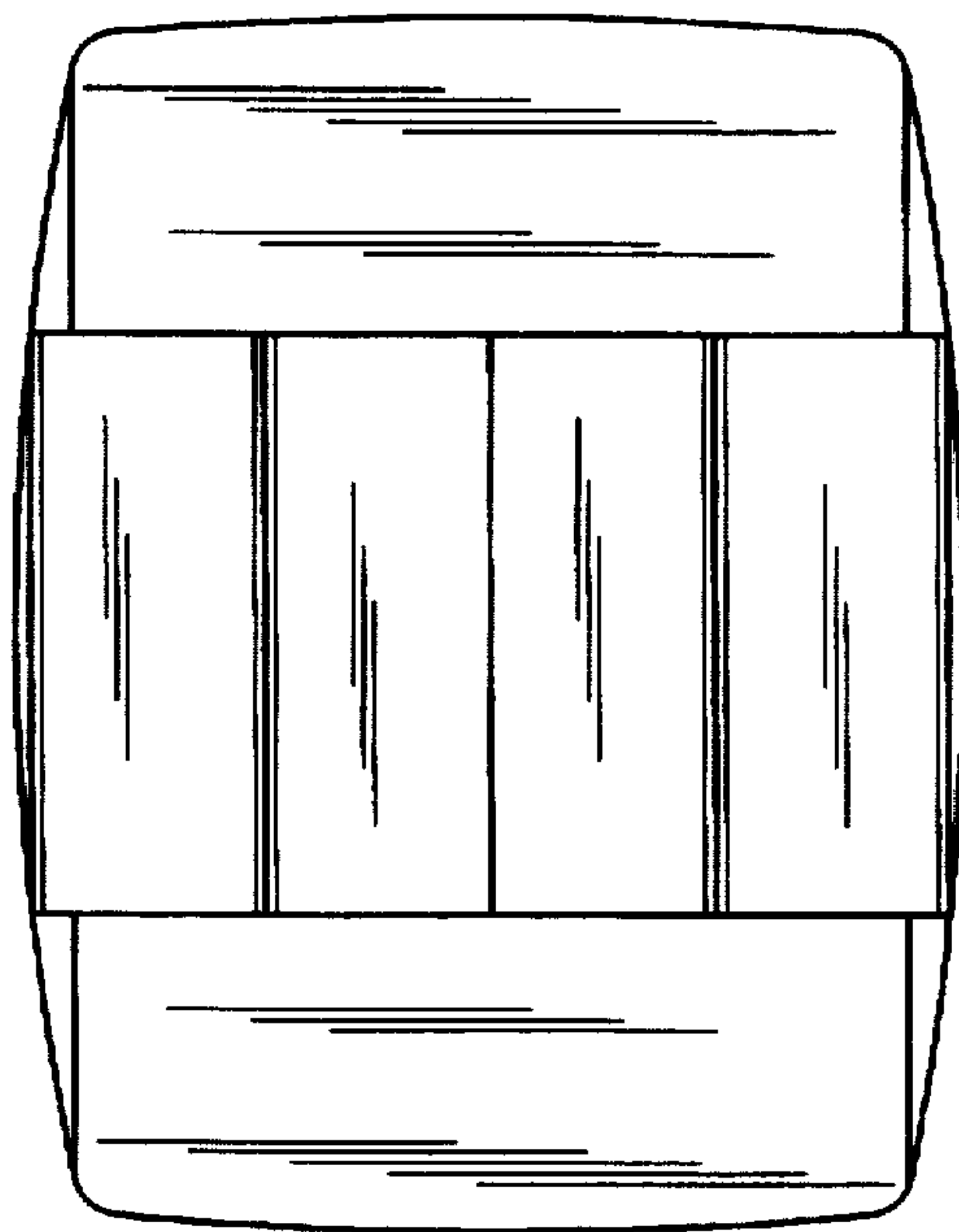


FIG. 10

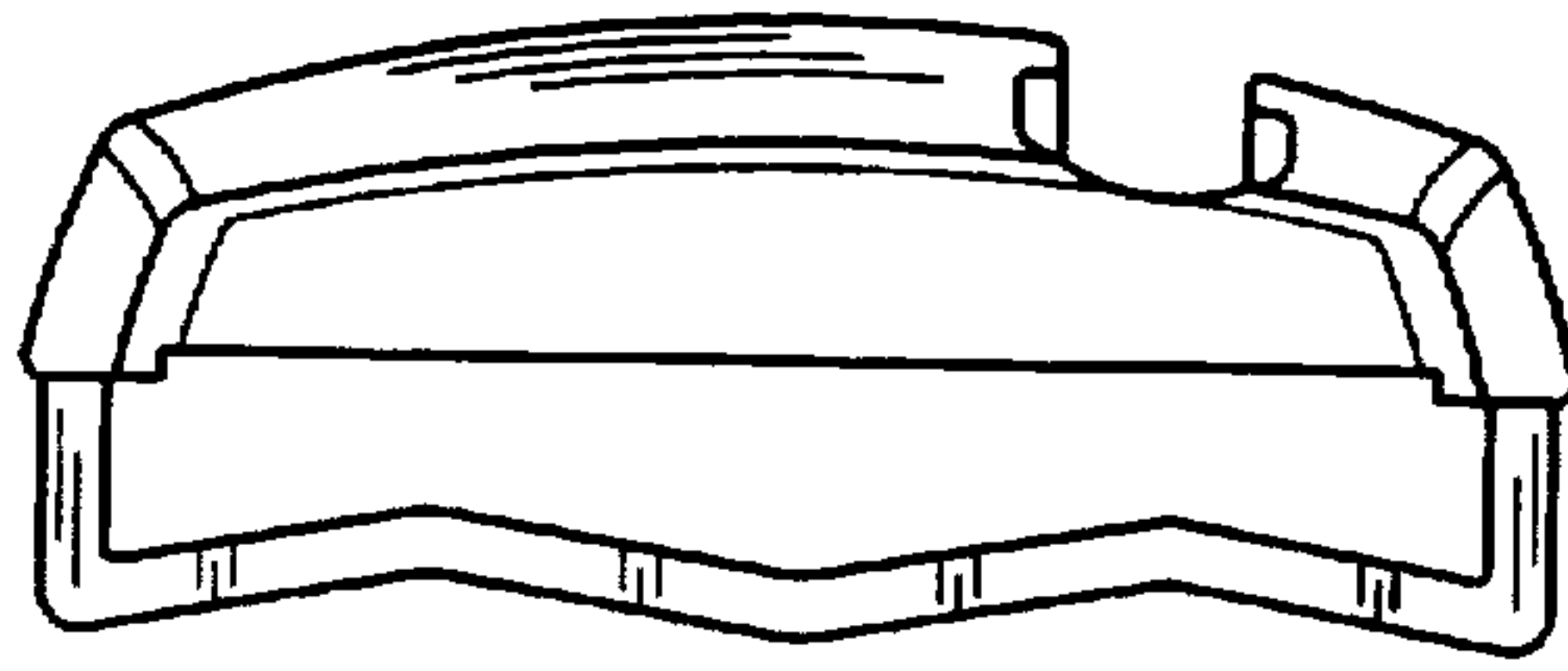


FIG. 11

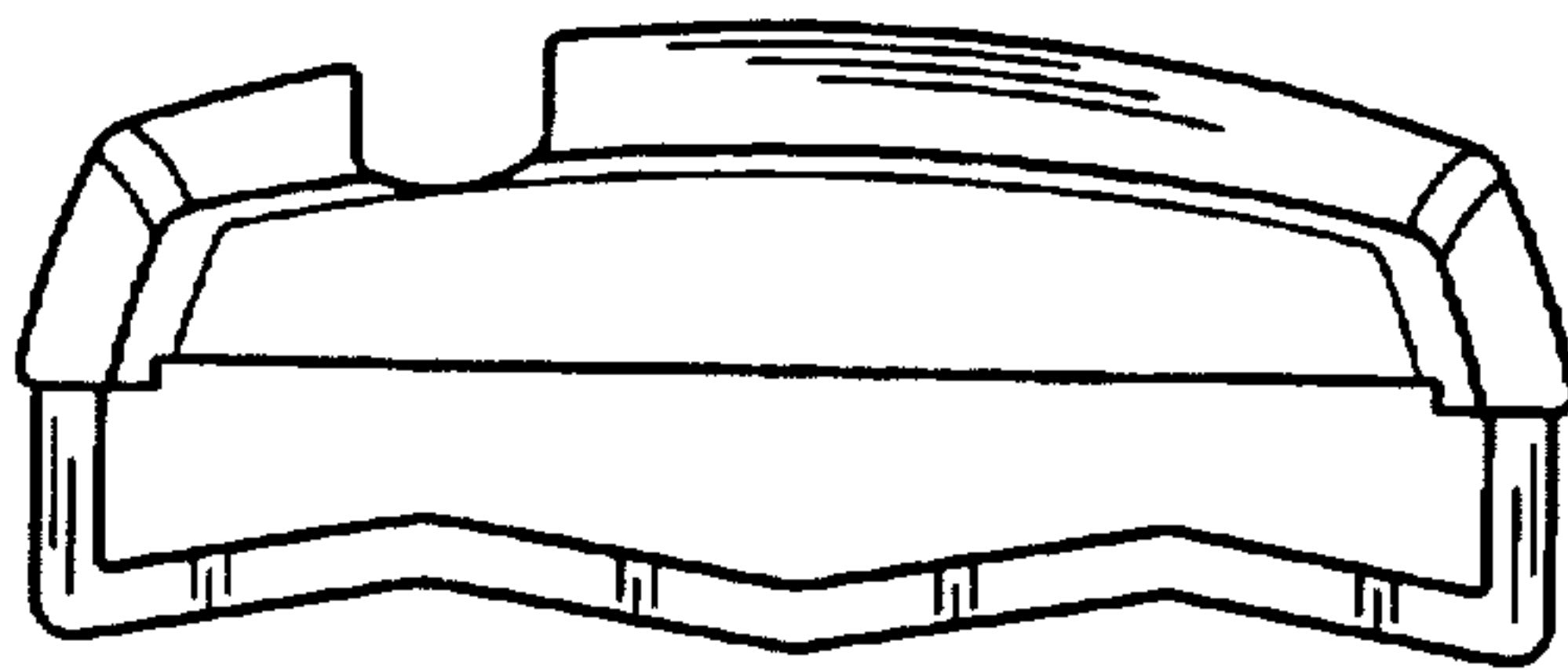


FIG. 12

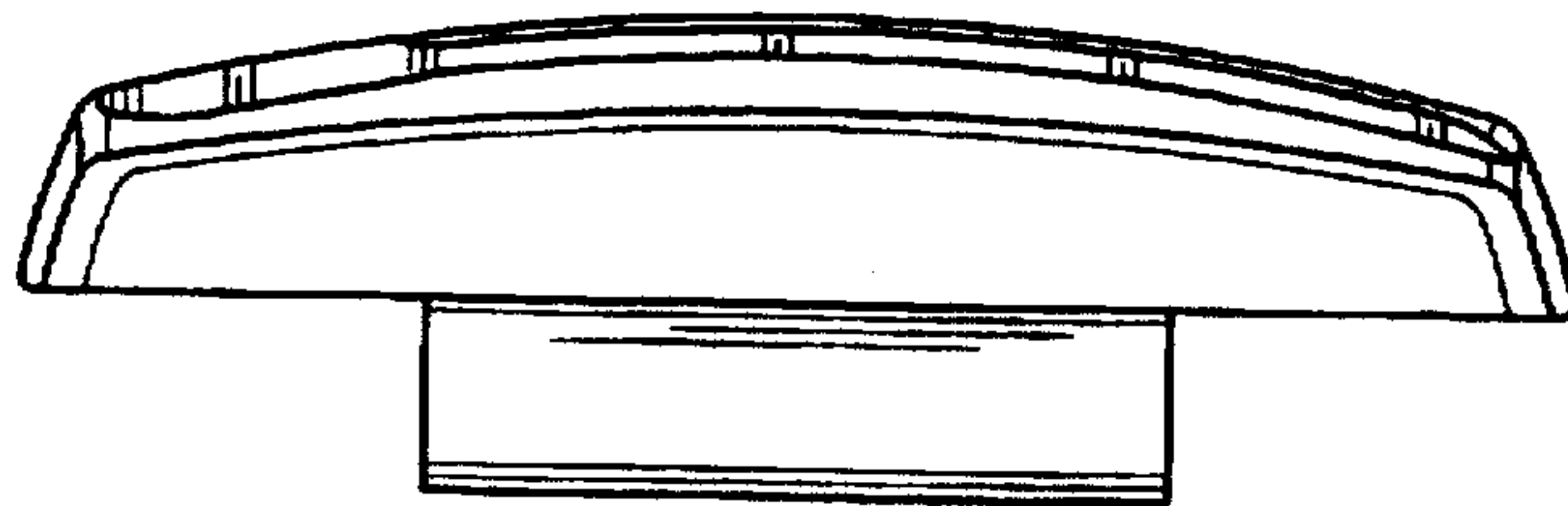


FIG. 13

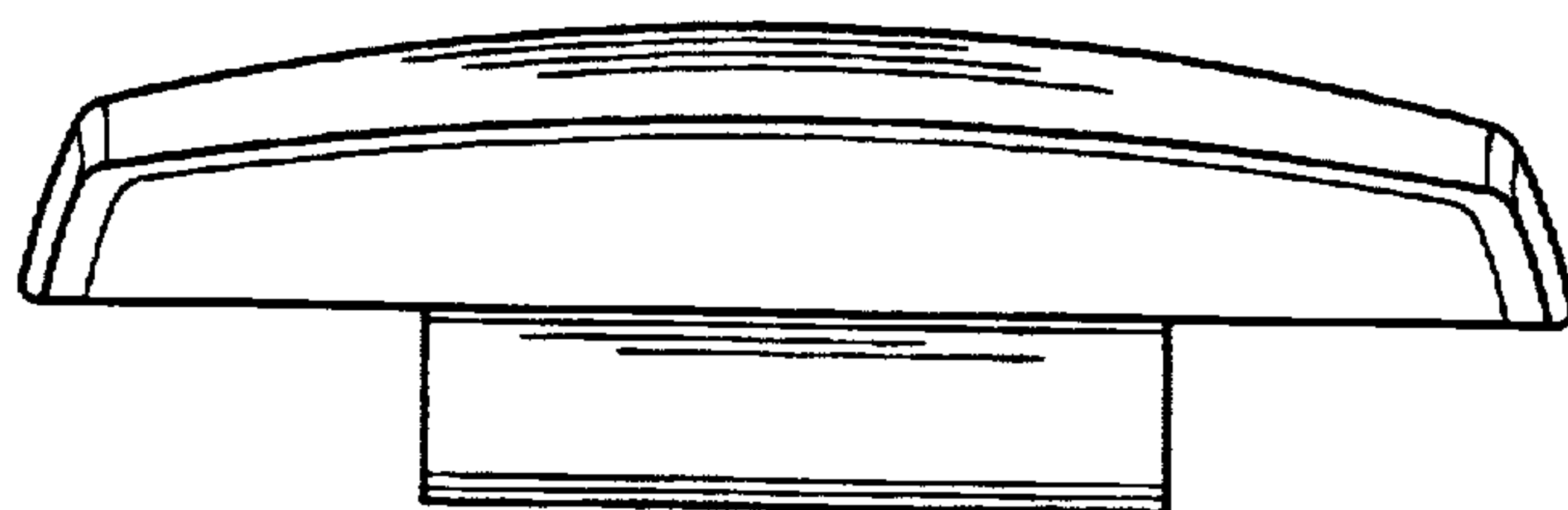


FIG. 14