



US00D408305S

United States Patent [19]
Li

[11] **Patent Number: Des. 408,305**

[45] **Date of Patent: **Apr. 20, 1999**

[54] **TAPE MEASURE**

[76] **Inventor: Shih Lin Li, No. 22, Lane 81, Sec. 2, Tunha S. Rd., Taipei, Taiwan**

[**] **Term: 14 Years**

[21] **Appl. No.: 29/080,887**

[22] **Filed: Dec. 17, 1997**

[51] **LOC (6) Cl. 10-02**

[52] **U.S. Cl. D10/72**

[58] **Field of Search D10/72; 33/767, 33/761, 770; 242/381.3, 384.7**

[56] **References Cited**

U.S. PATENT DOCUMENTS

D. 364,575 11/1995 Goldner D10/72
5,657,551 8/1997 Lin 33/767

Primary Examiner—Antoine Duval Davis
Attorney, Agent, or Firm—Pro-Techtor International Services

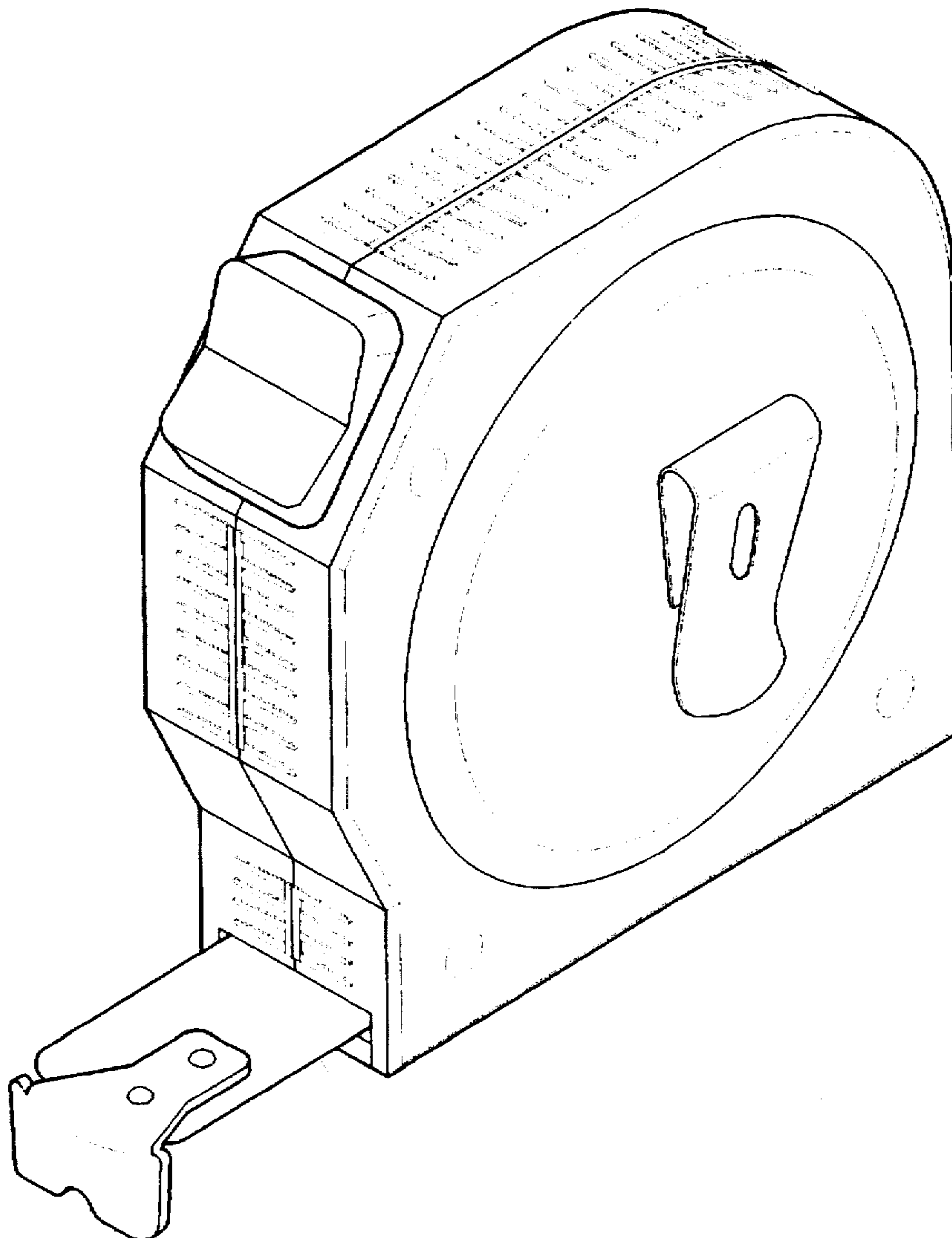
[57] **CLAIM**

The ornamental design for a tape measure, as shown.

DESCRIPTION

FIG. 1 is a front right perspective view of a tape measure showing my design;
FIG. 2 is a right side elevation view thereof;
FIG. 3 is a left side elevation view thereof;
FIG. 4 is a front perspective view thereof;
FIG. 5 is a rear perspective view thereof;
FIG. 6 is a top plan view thereof; and,
FIG. 7 is a bottom plan view thereof.
FIG. 8 is a front right perspective view of a tape measure showing my design;
FIG. 9 is a right side elevation view thereof;
FIG. 10 is a left side elevation view thereof;
FIG. 11 is a front perspective view thereof;
FIG. 12 is a rear perspective view thereof;
FIG. 13 is a top plan view thereof; and,
FIG. 14 is a bottom plan view thereof.

1 Claim, 8 Drawing Sheets



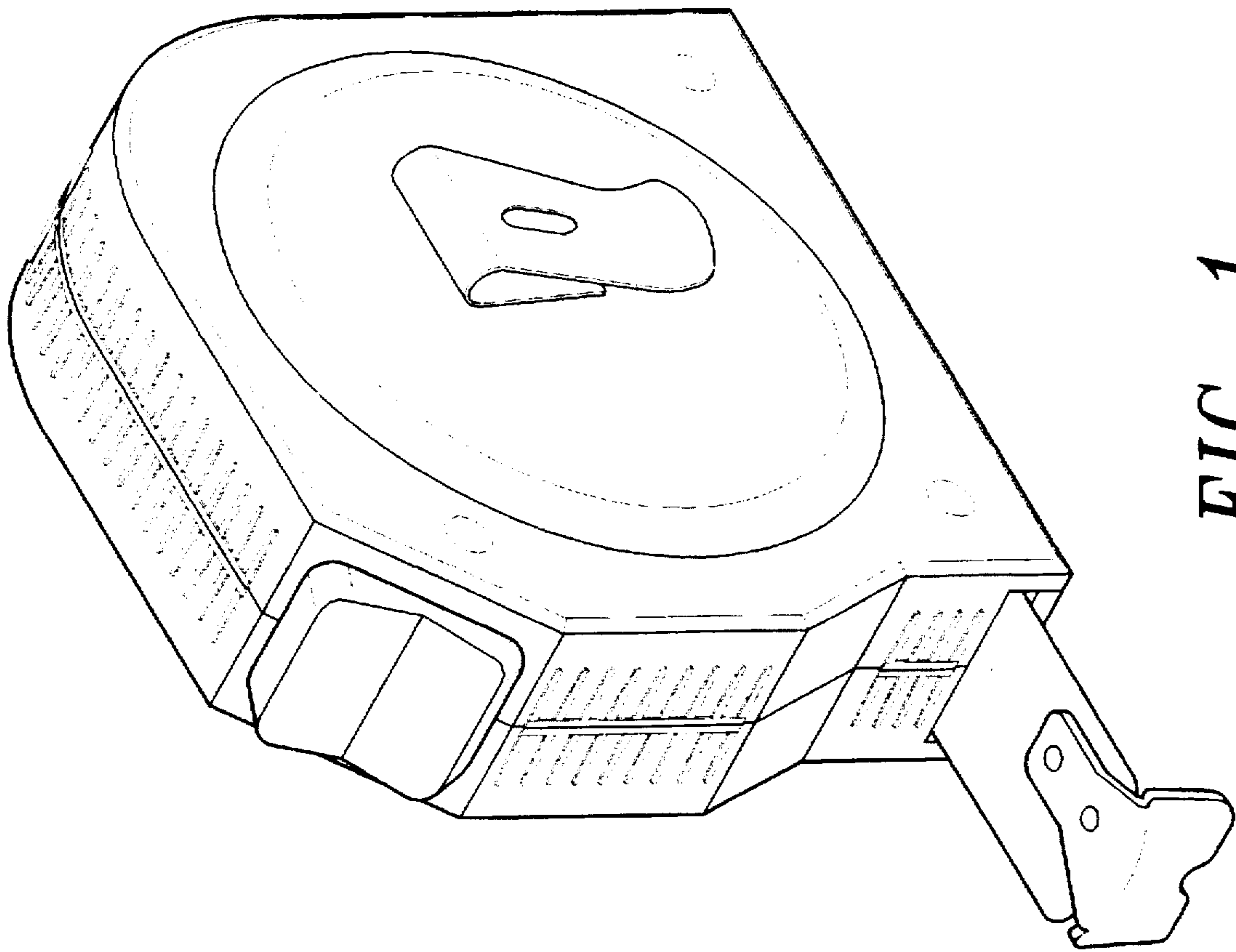


FIG. 1

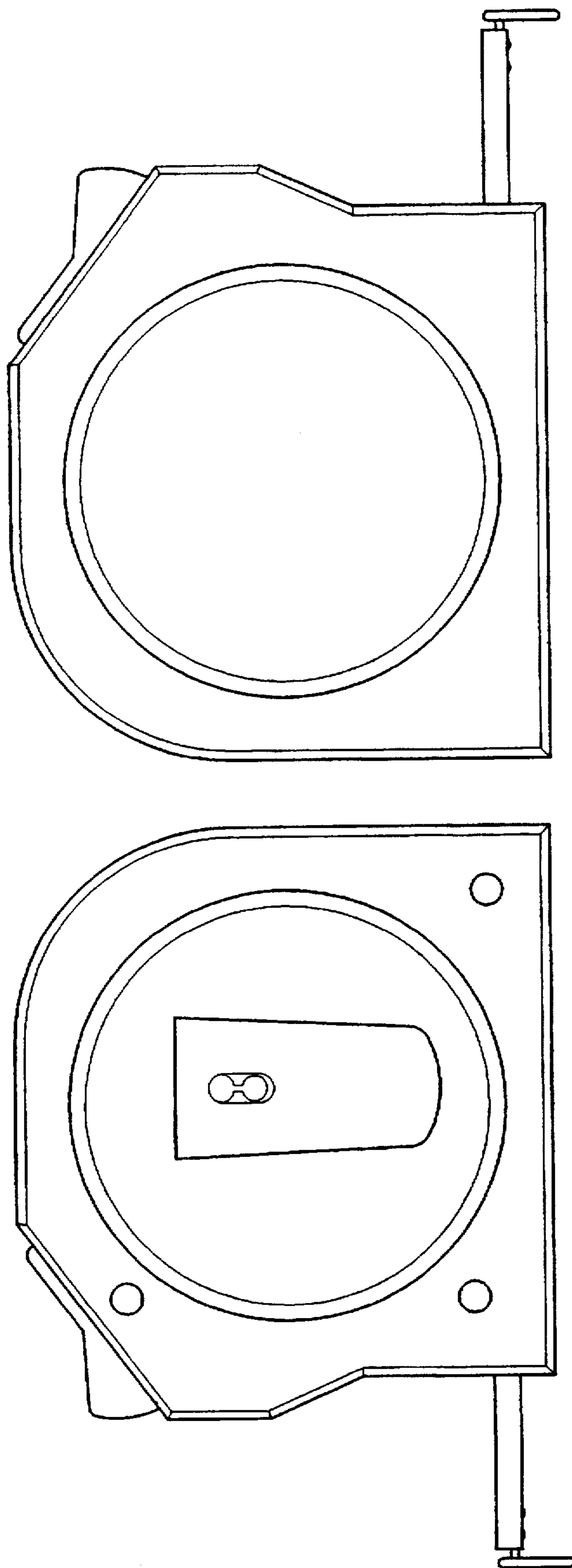


FIG. 3

FIG. 2

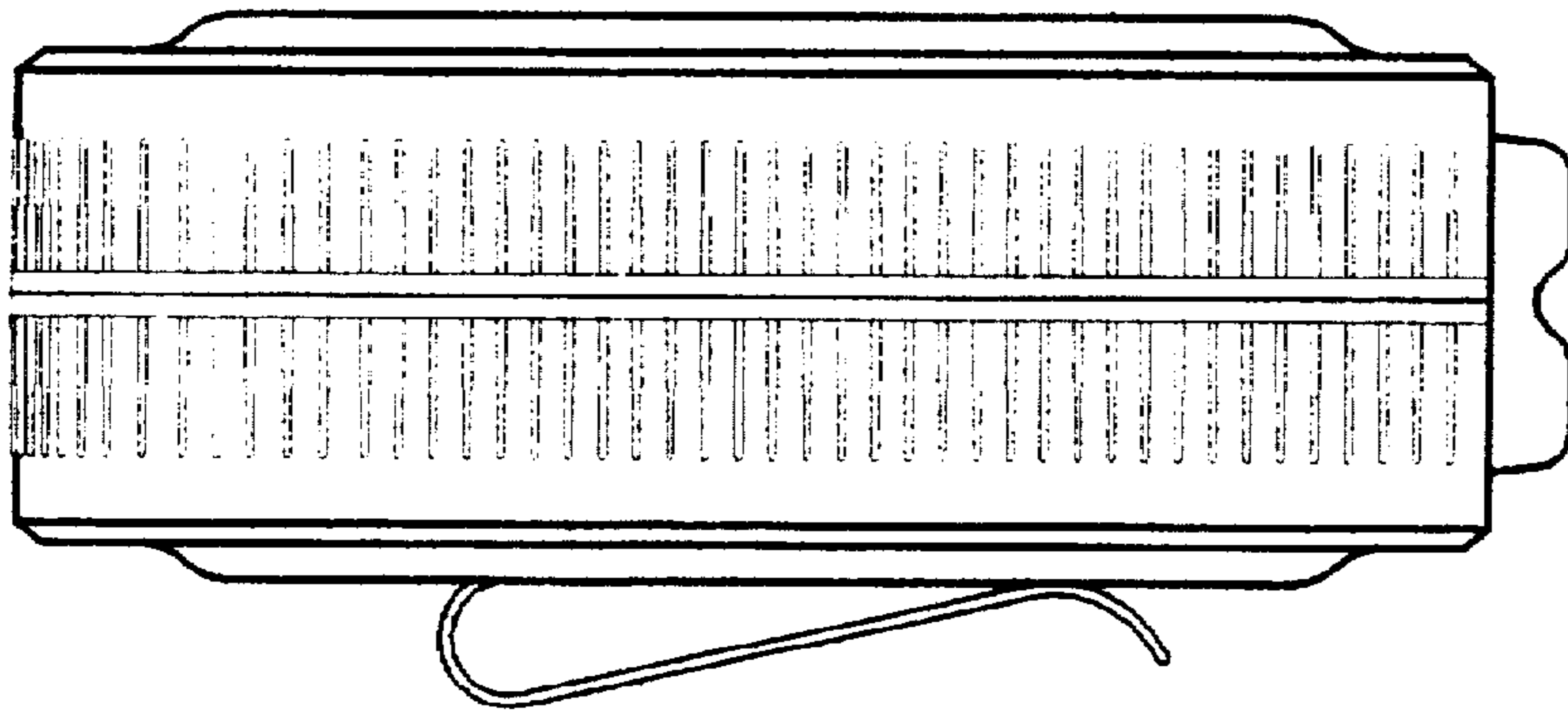


FIG. 5

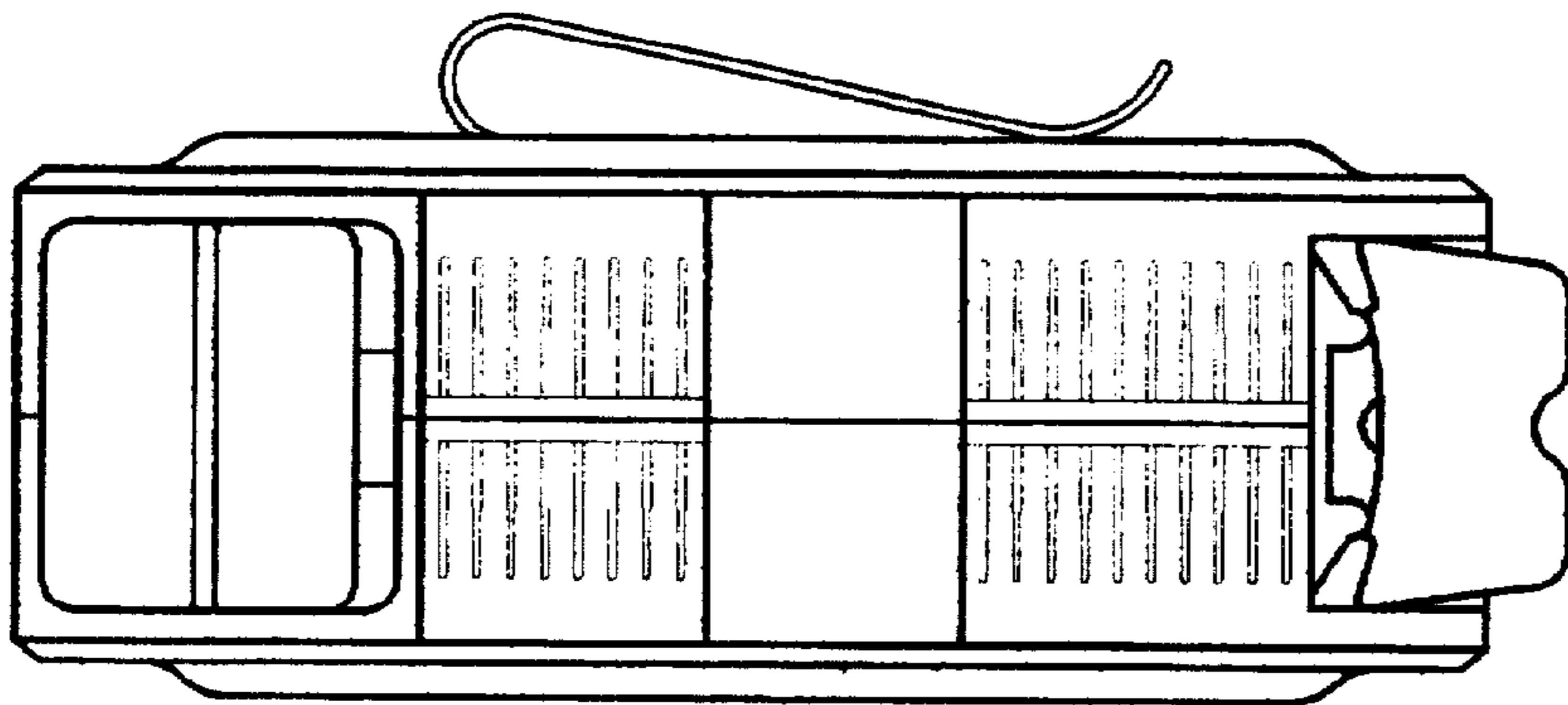


FIG. 4

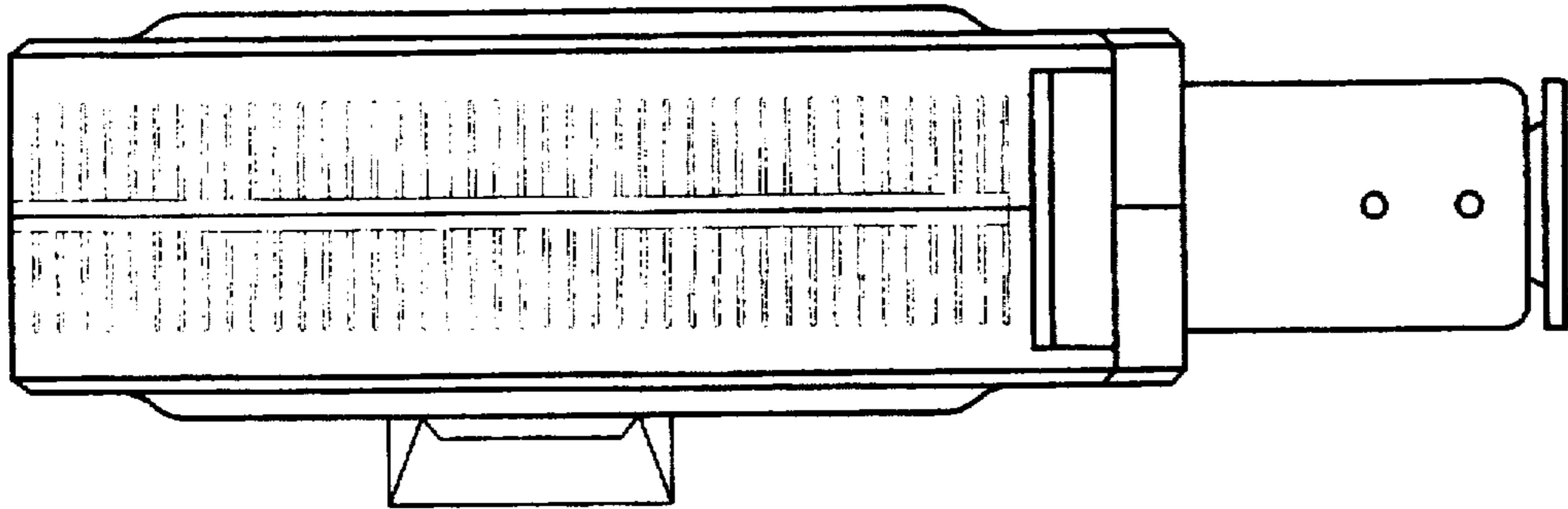


FIG. 7

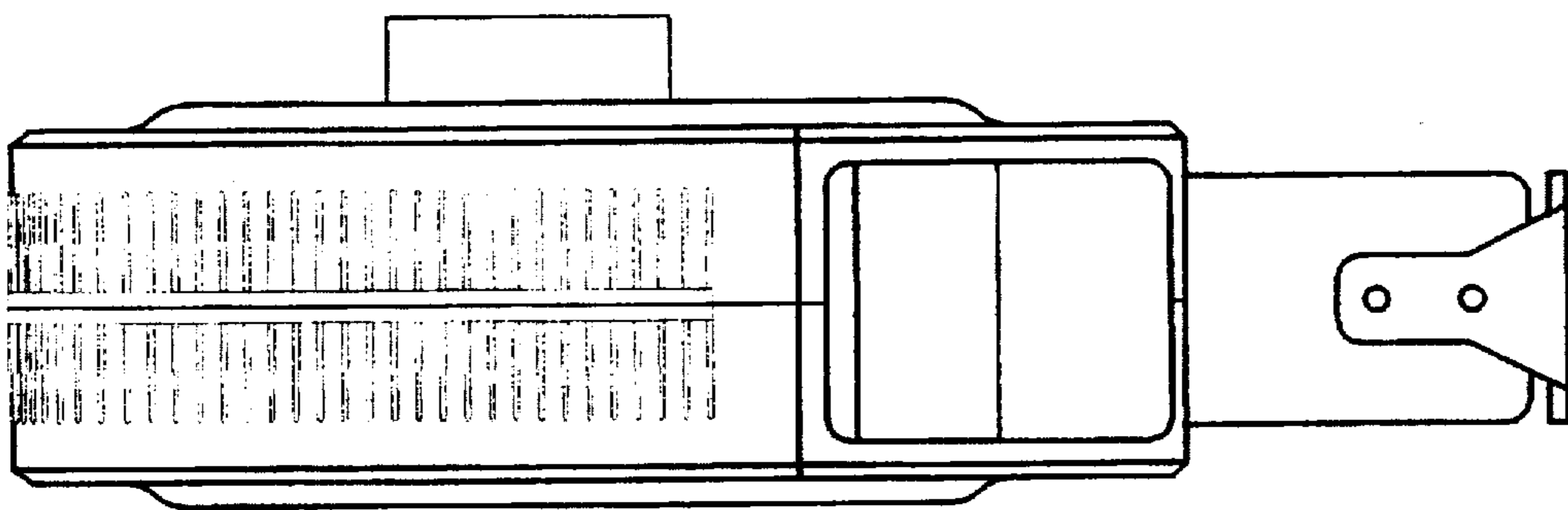


FIG. 6

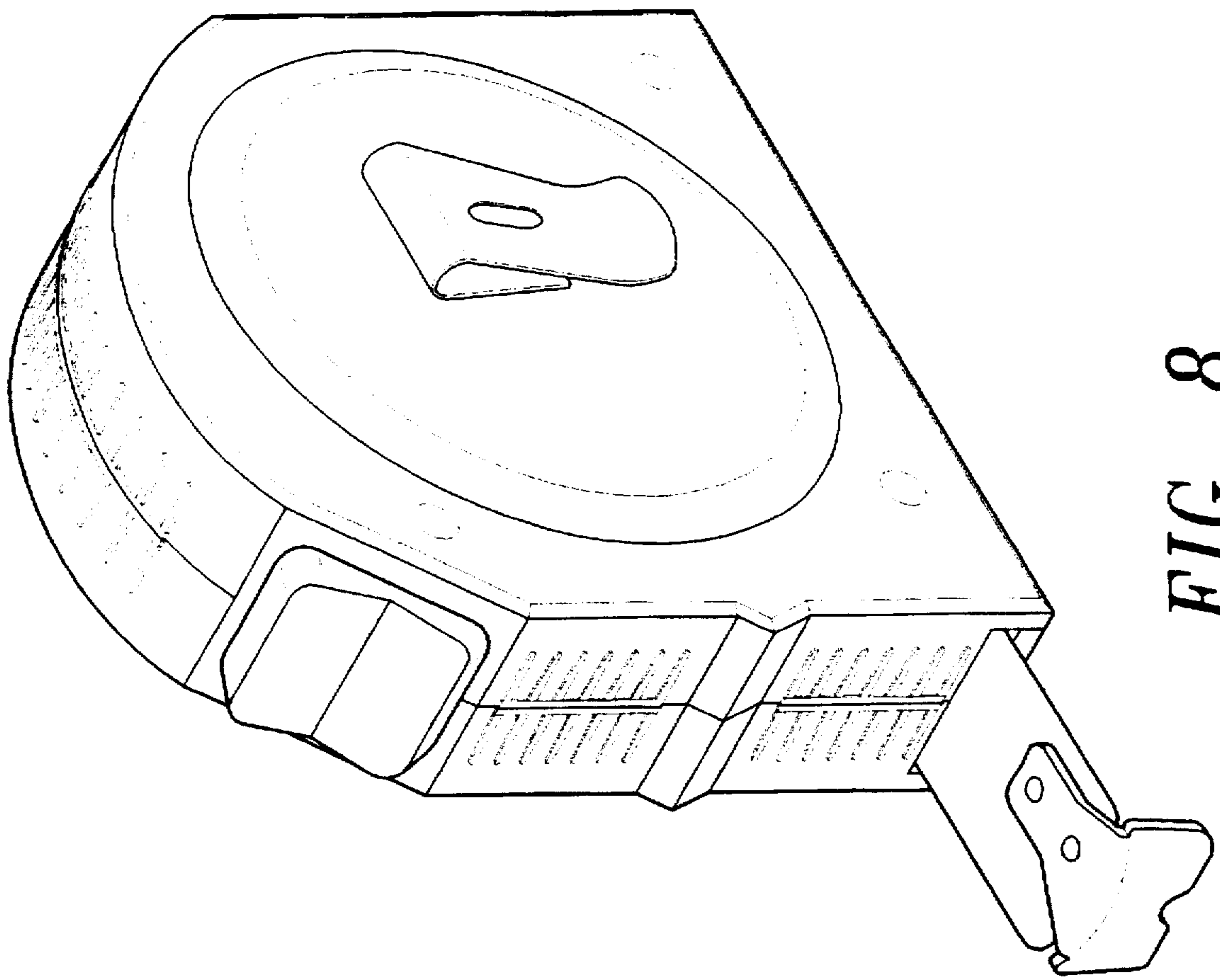


FIG. 8

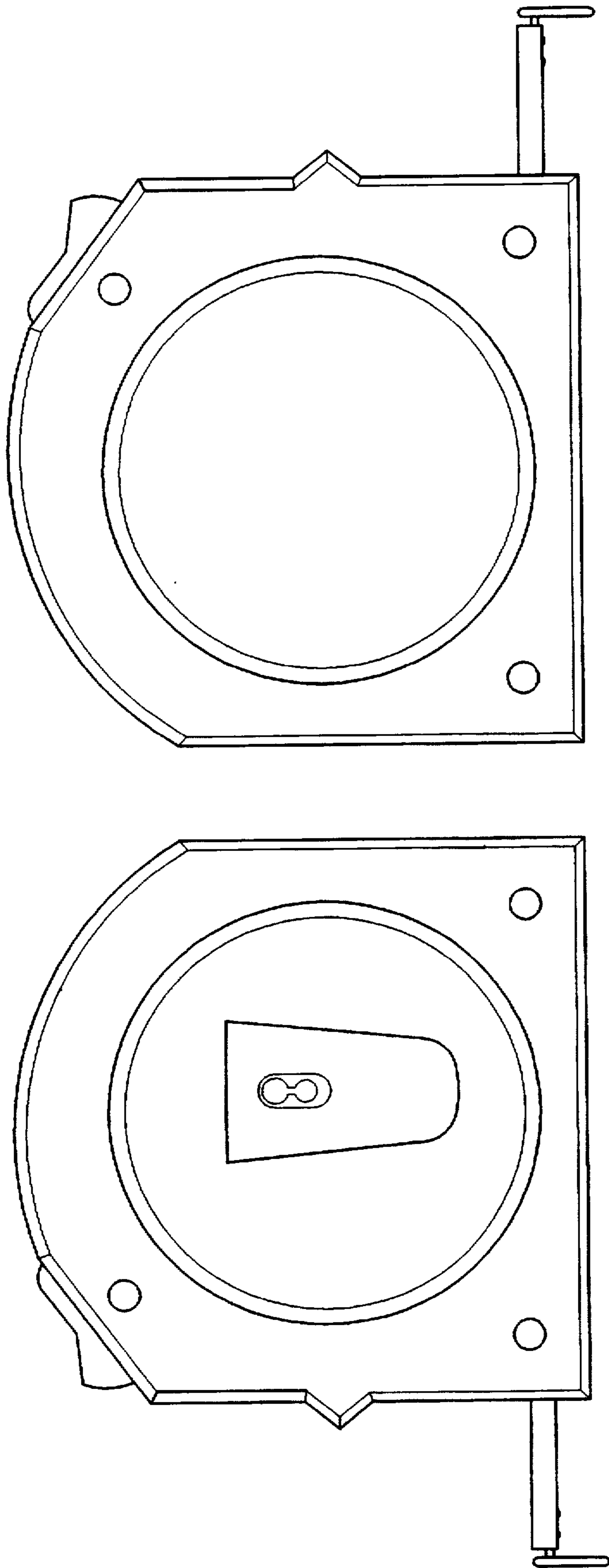


FIG. 10

FIG. 9

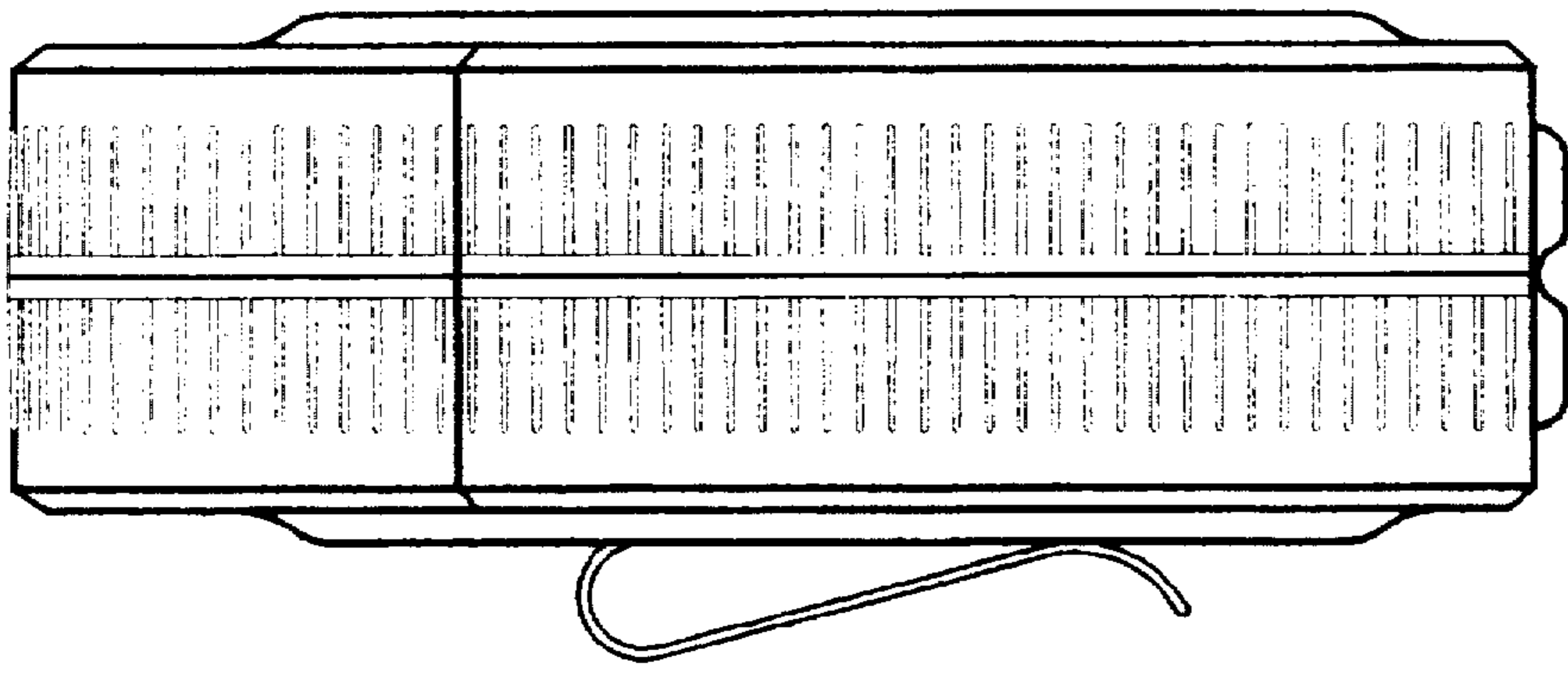


FIG. 11

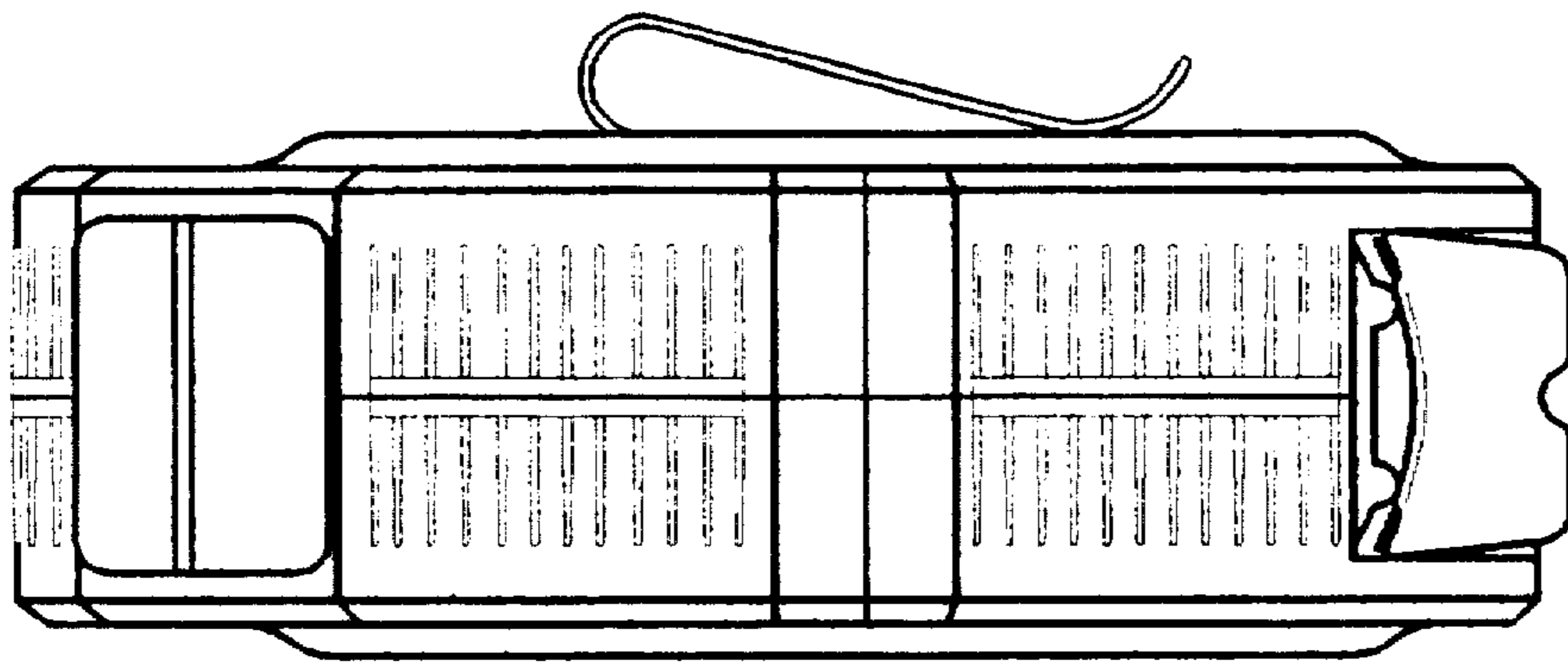


FIG. 12

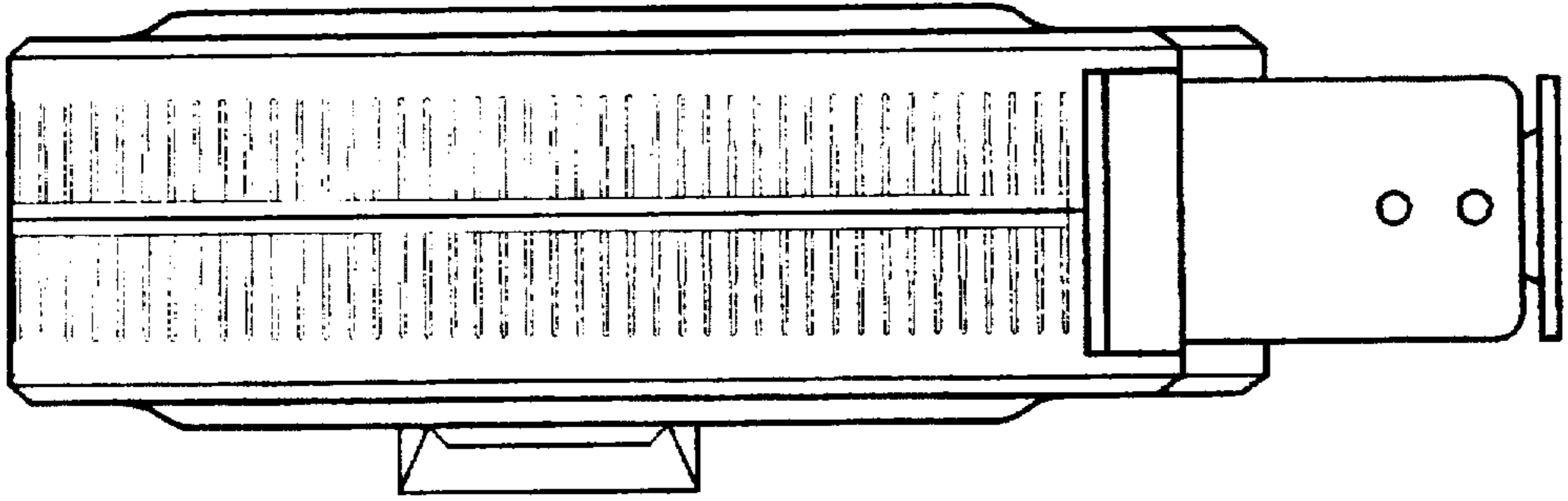


FIG. 14

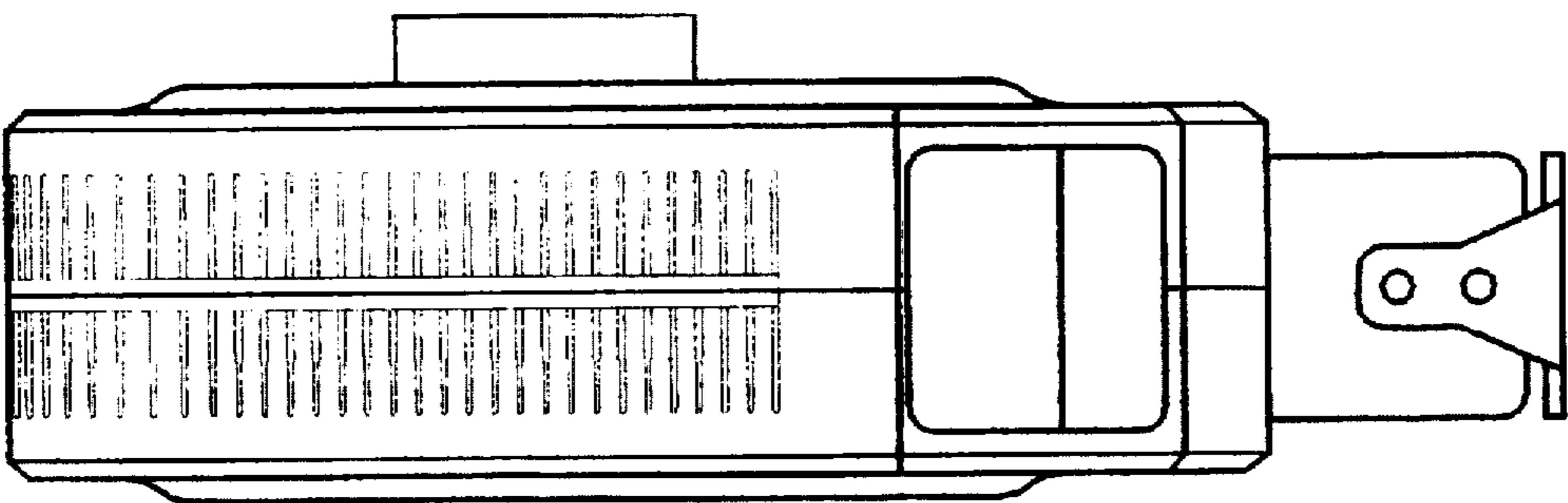


FIG. 13