

US00D408303S

# United States Patent [19]

Janda et al.

[11] Patent Number: Des. 408,303

[45] Date of Patent: \*\*Apr. 20, 1999

[54] IN-WALL ELECTRONIC TIMER

D. 310,992 10/1990 Rosenbaum ..... D13/170  
D. 352,667 11/1994 Chen .

[75] Inventors: **Rudolph W. Janda; Kenneth W. Michaels**, both of Spring Grove, Ill.

### OTHER PUBLICATIONS

Grässlin Catalog—1994—Timer V86/2 Digi Creib at top left.

[73] Assignee: **Intermatic Incorporated**, Spring Grove, Ill.

*Primary Examiner*—Nelson C. Holtje  
*Attorney, Agent, or Firm*—Brinks Hofer Gilson & Lione

[\*\*] Term: 14 Years

### [57] CLAIM

[21] Appl. No.: 29/091,121

The ornamental design for an in-wall electronic timer, as shown.

[22] Filed: Jul. 23, 1998

### Related U.S. Application Data

### DESCRIPTION

[62] Division of application No. 29/068,668, Mar. 18, 1997.

FIG. 1 is a perspective view of an in-wall electronic timer showing our new design;

[51] LOC (6) CL. .... 10-03

FIG. 2 is a side view thereof;

[52] U.S. Cl. .... D10/40

FIG. 3 is a front view thereof;

[58] Field of Search ..... D10/1-40, 122-132,  
D10/75; 200/38 R; 307/140 R, 141 R, 141.4;  
368/97-100, 107-109, 121, 246

FIG. 4 is an opposite side view thereof;

FIG. 5 is a back view thereof;

FIG. 6 is a top view thereof; and,

FIG. 7 is a bottom view thereof.

The broken line showing of a plate and rear housing is for environmental purposes only and forms no part of the claimed design.

### [56] References Cited

#### U.S. PATENT DOCUMENTS

- D. 248,149 6/1978 Fujita .
- D. 270,715 9/1983 Pizzizthian .
- D. 310,338 9/1990 Cureton .

1 Claim, 4 Drawing Sheets

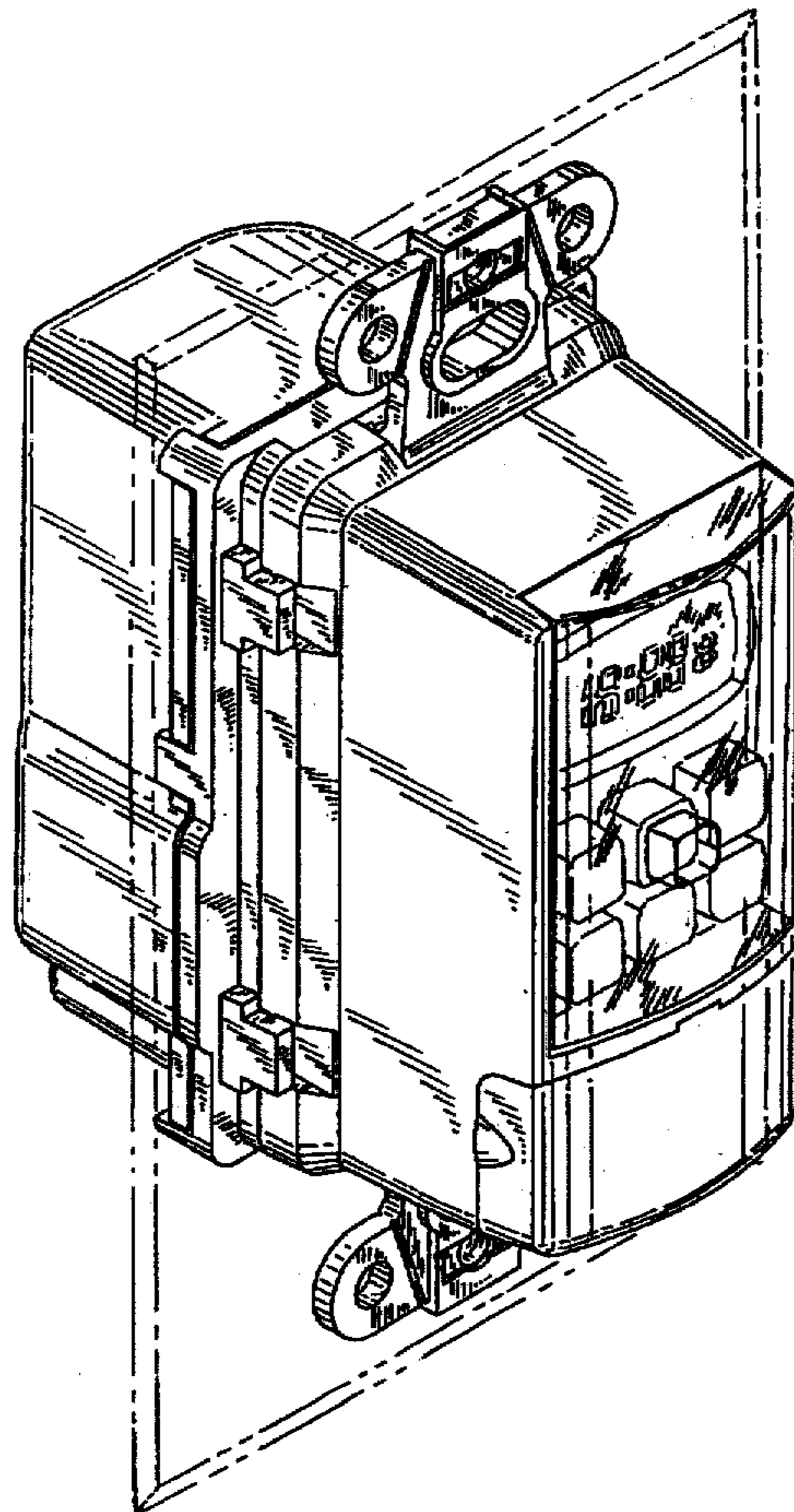
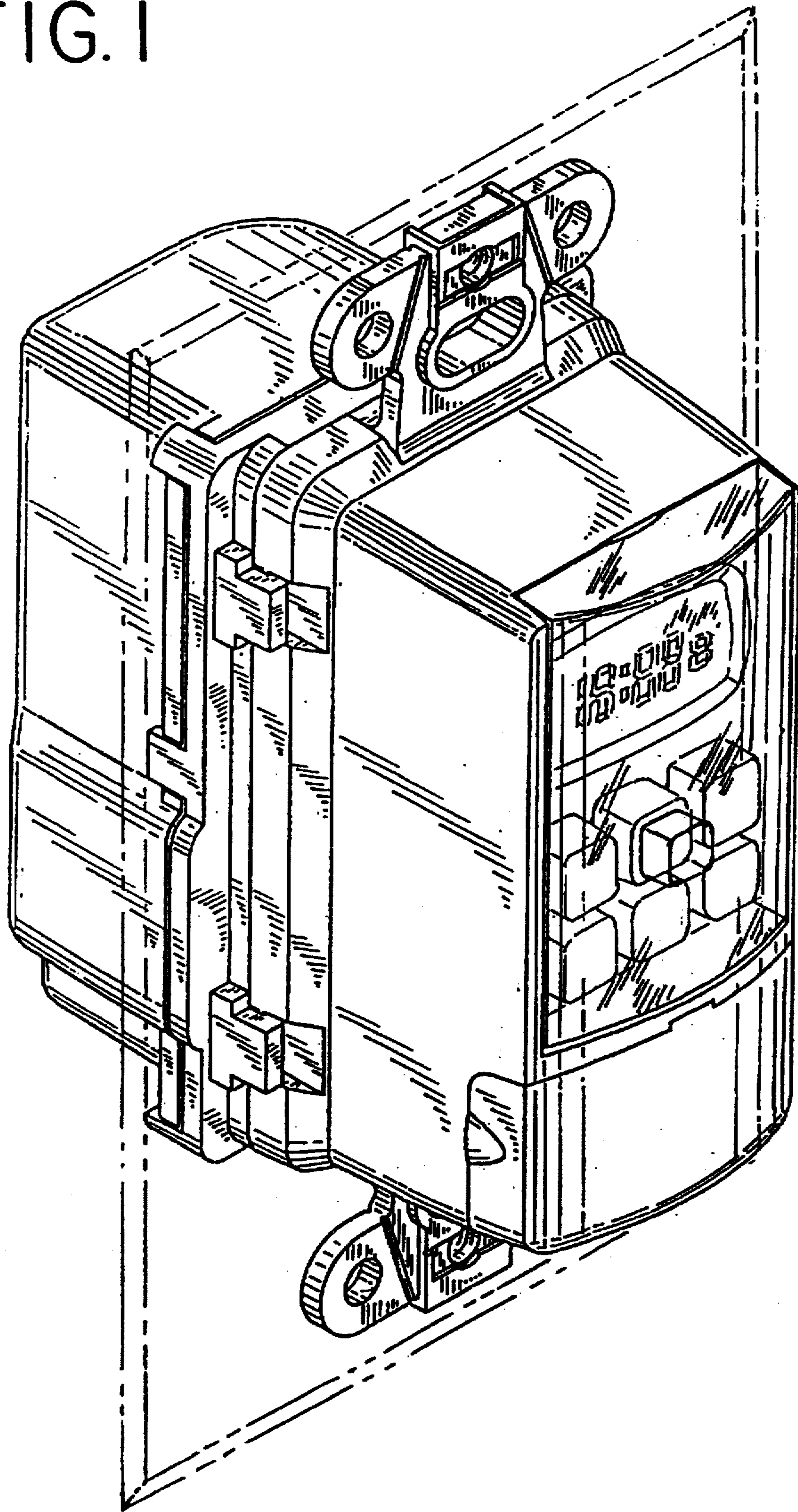


FIG. 1



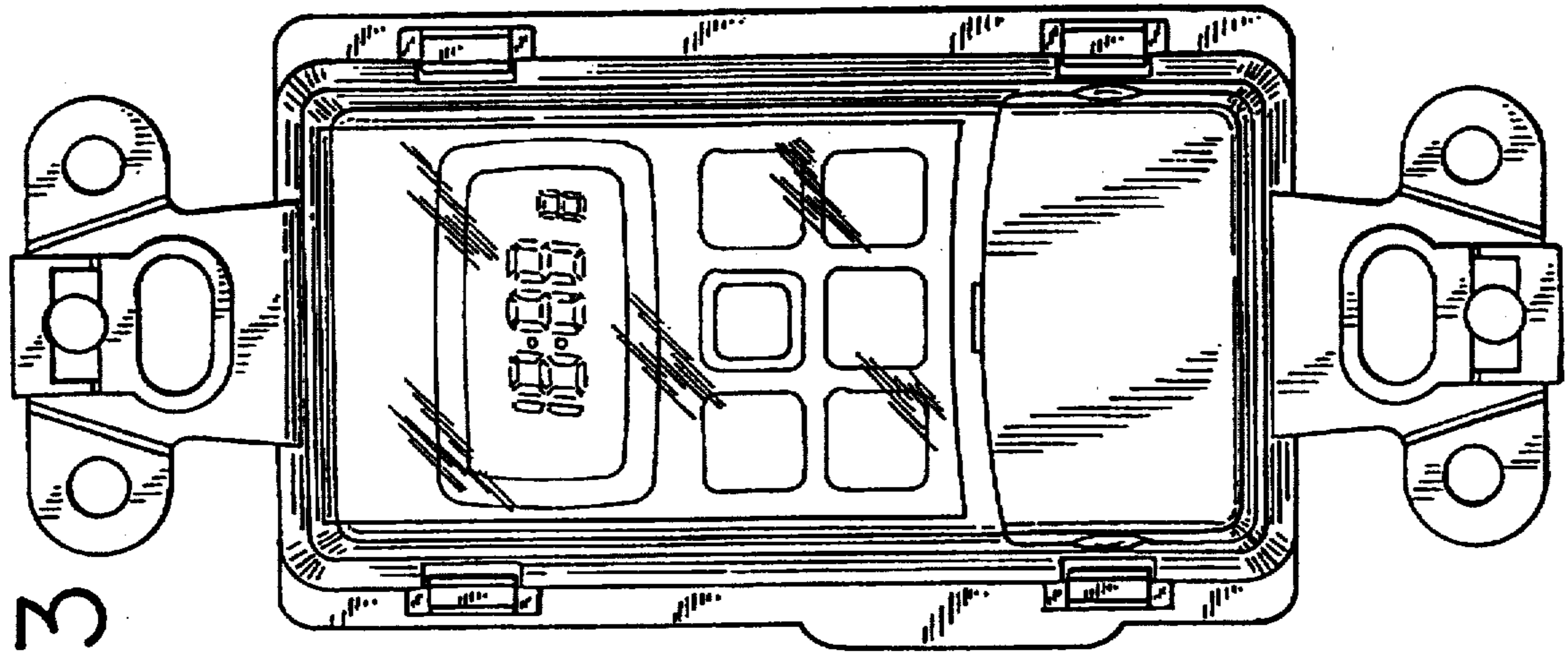


FIG. 3

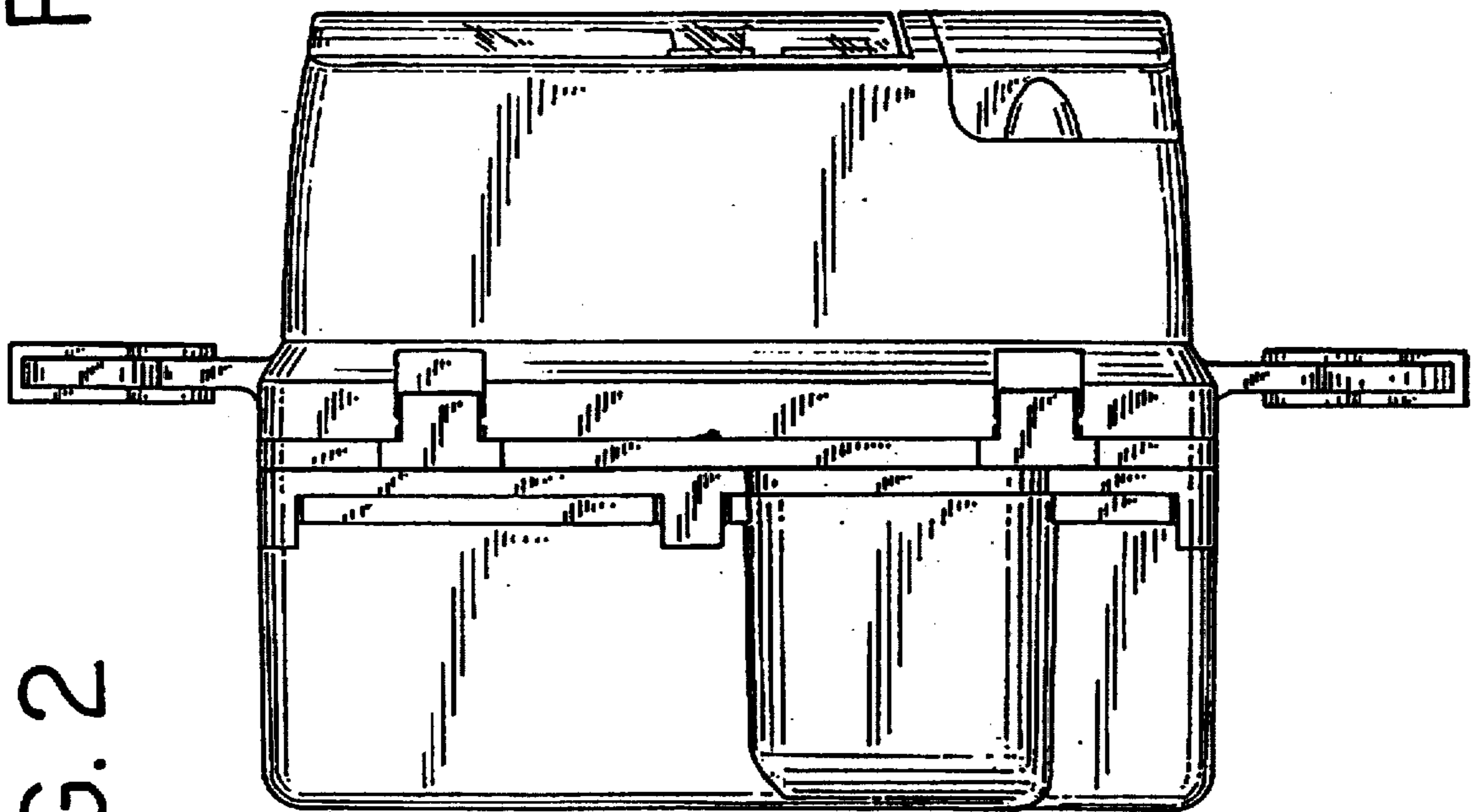


FIG. 2

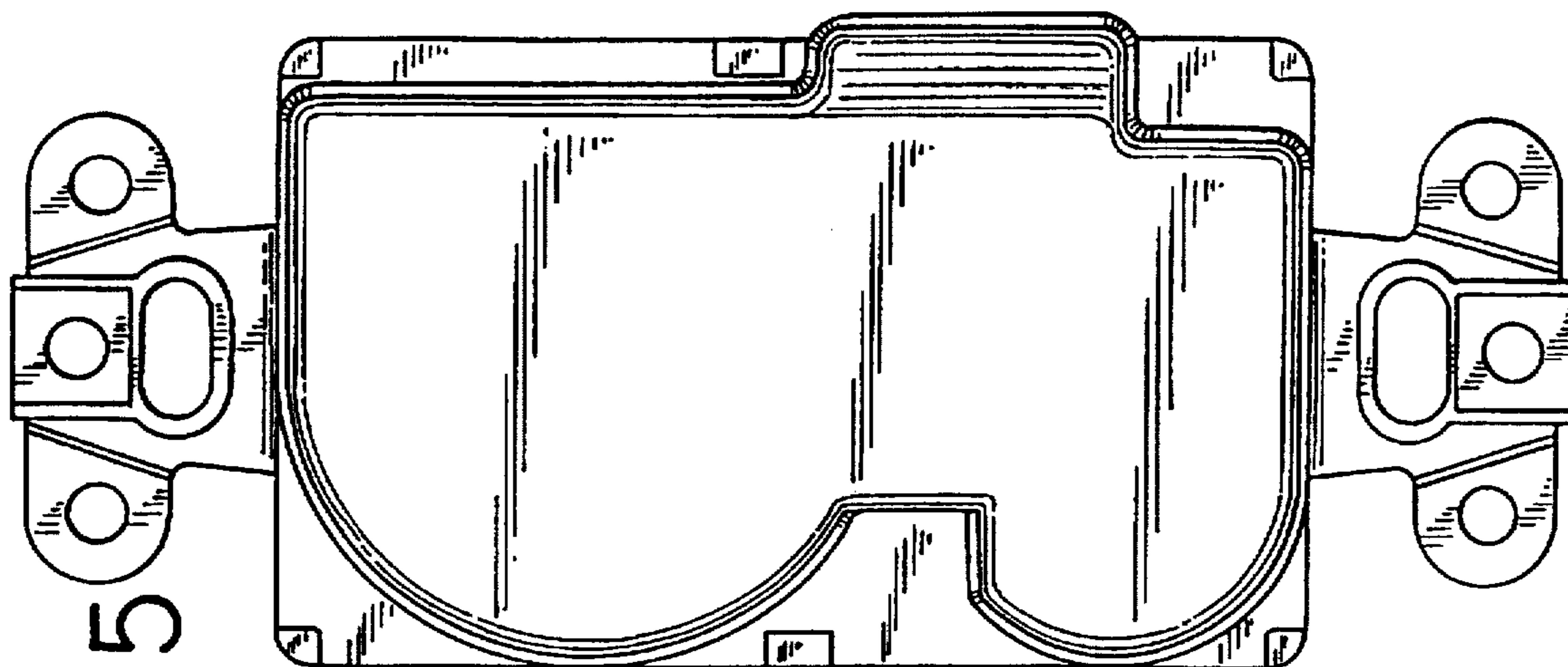


FIG. 5

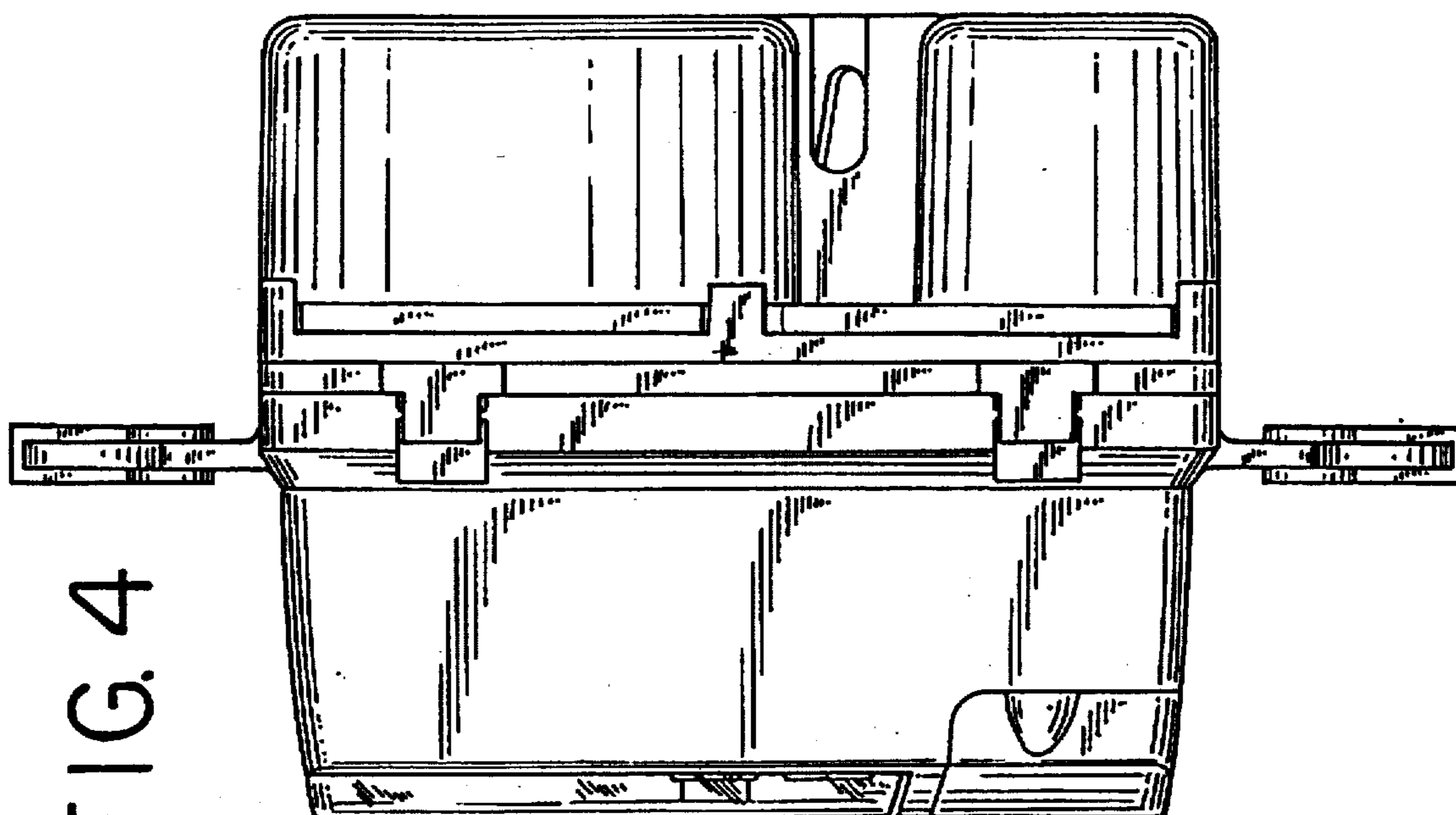


FIG. 4

FIG. 6

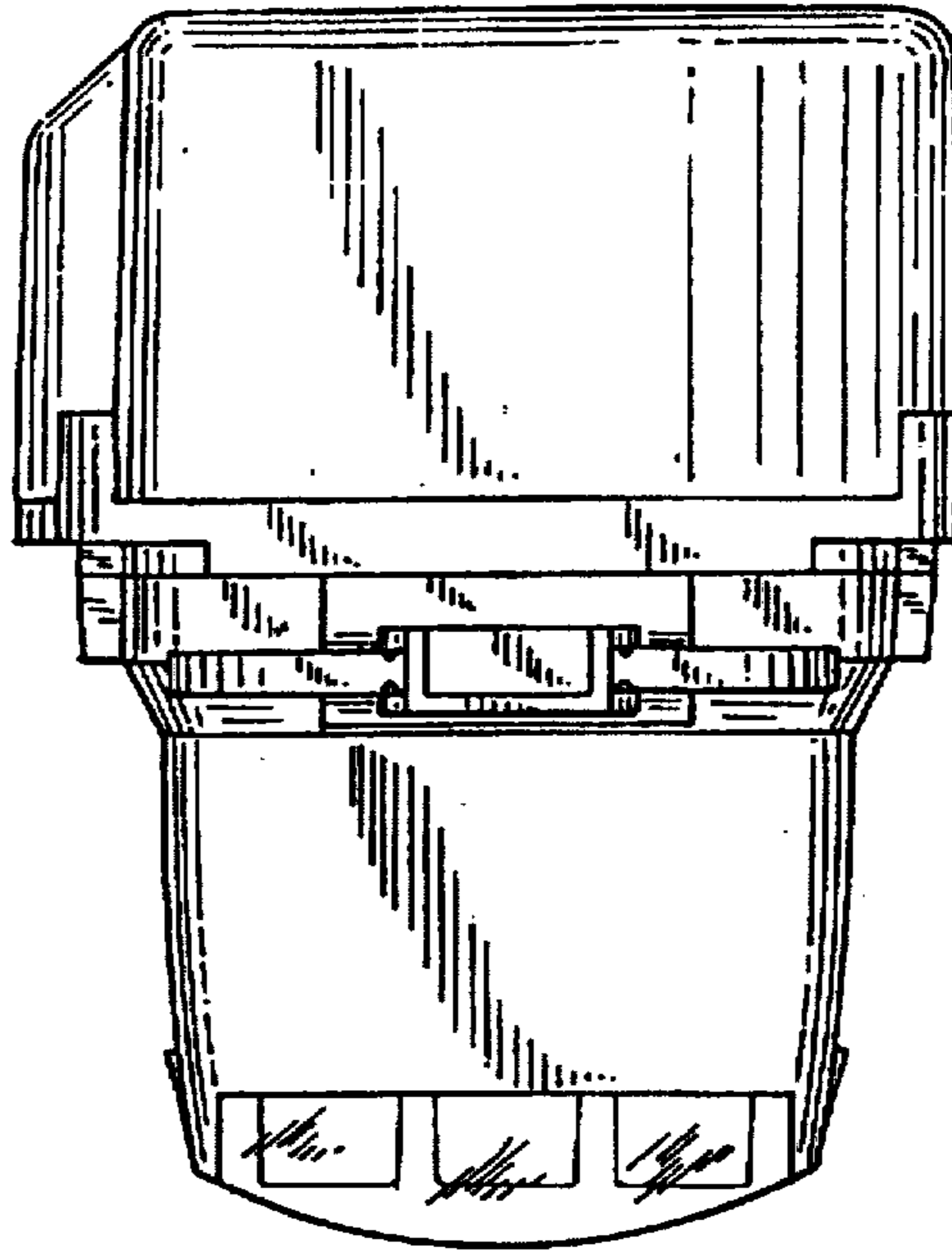


FIG. 7

