



US00D408299S

United States Patent [19]

Bedol et al.

[11] Patent Number: Des. 408,299

[45] Date of Patent: **Apr. 20, 1999

[54] CLOCK

[75] Inventors: **Mark A. Bedol**, P.O. Box 1268,
Claremont, Calif. 91711; **Edward
Wong**, Alhambra, Calif.

[73] Assignee: **Mark A. Bedol**, Claremont, Calif.

[**] Term: 14 Years

[21] Appl. No.: 29/083,353

[22] Filed: Feb. 7, 1998

[51] LOC (6) Cl. 10-01

[52] U.S. Cl. D10/20; D10/17

[58] Field of Search D10/1, 17, 20,
D10/29; 368/276-277, 285

[56] **References Cited**

U.S. PATENT DOCUMENTS

D. 108,341 2/1938 Morgan D10/20

D. 166,388 4/1952 Glorieux D10/20
D. 199,253 9/1964 McLeod D10/17
D. 319,021 8/1991 Lee D10/20

Primary Examiner—Nelson C. Holtje

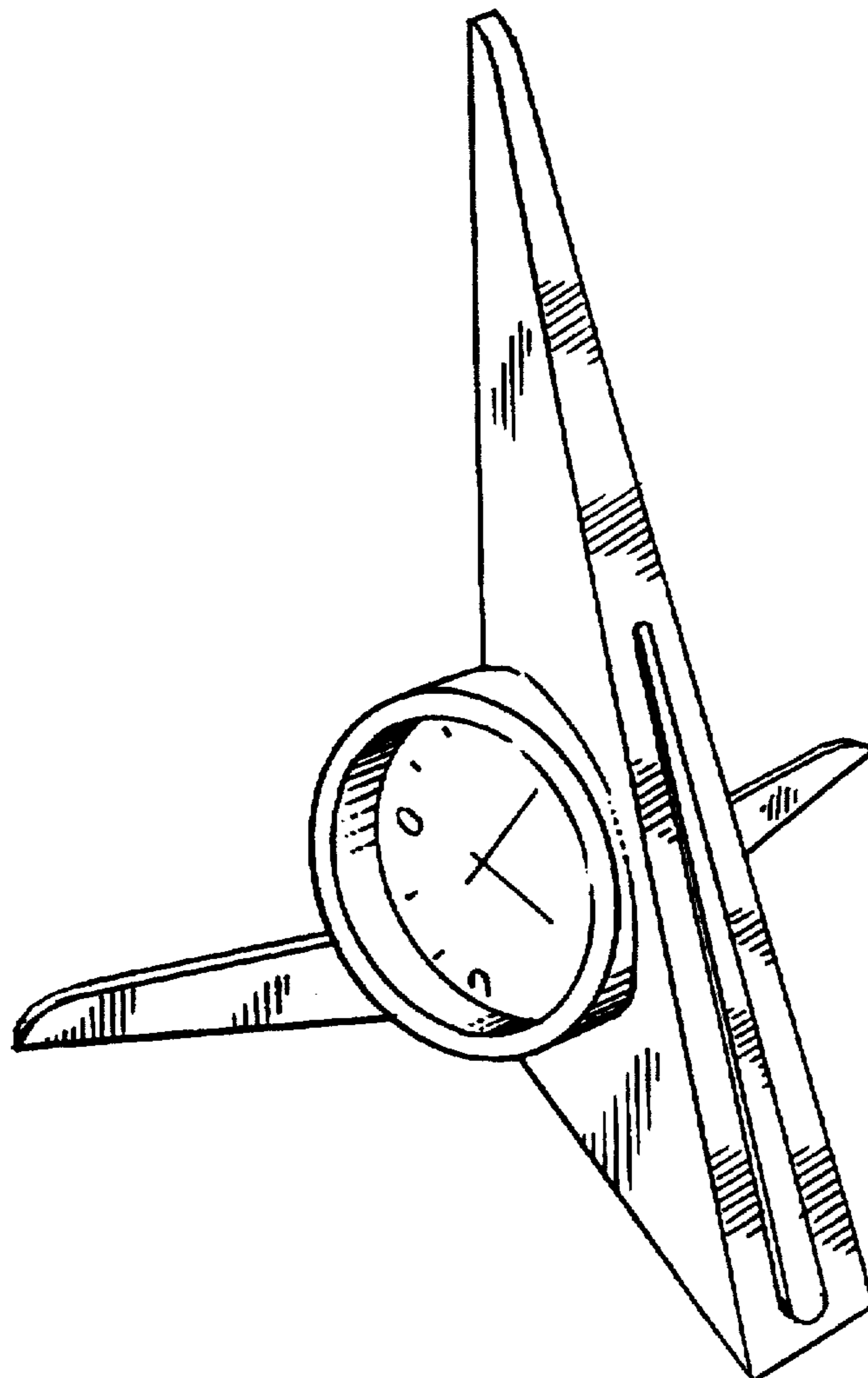
[57] **CLAIM**

The ornamental design for a clock, as shown and described.

DESCRIPTION

FIG. 1 is a front, right, top perspective view of a clock, showing our new design;
FIG. 2 is a front elevation view thereof,
FIG. 3 is a top view thereof,
FIG. 4 is a rear elevation view thereof,
FIG. 5 is a left side view thereof,
FIG. 6 is a bottom elevation view thereof; and,
FIG. 7 is a right side view thereof.

1 Claim, 3 Drawing Sheets



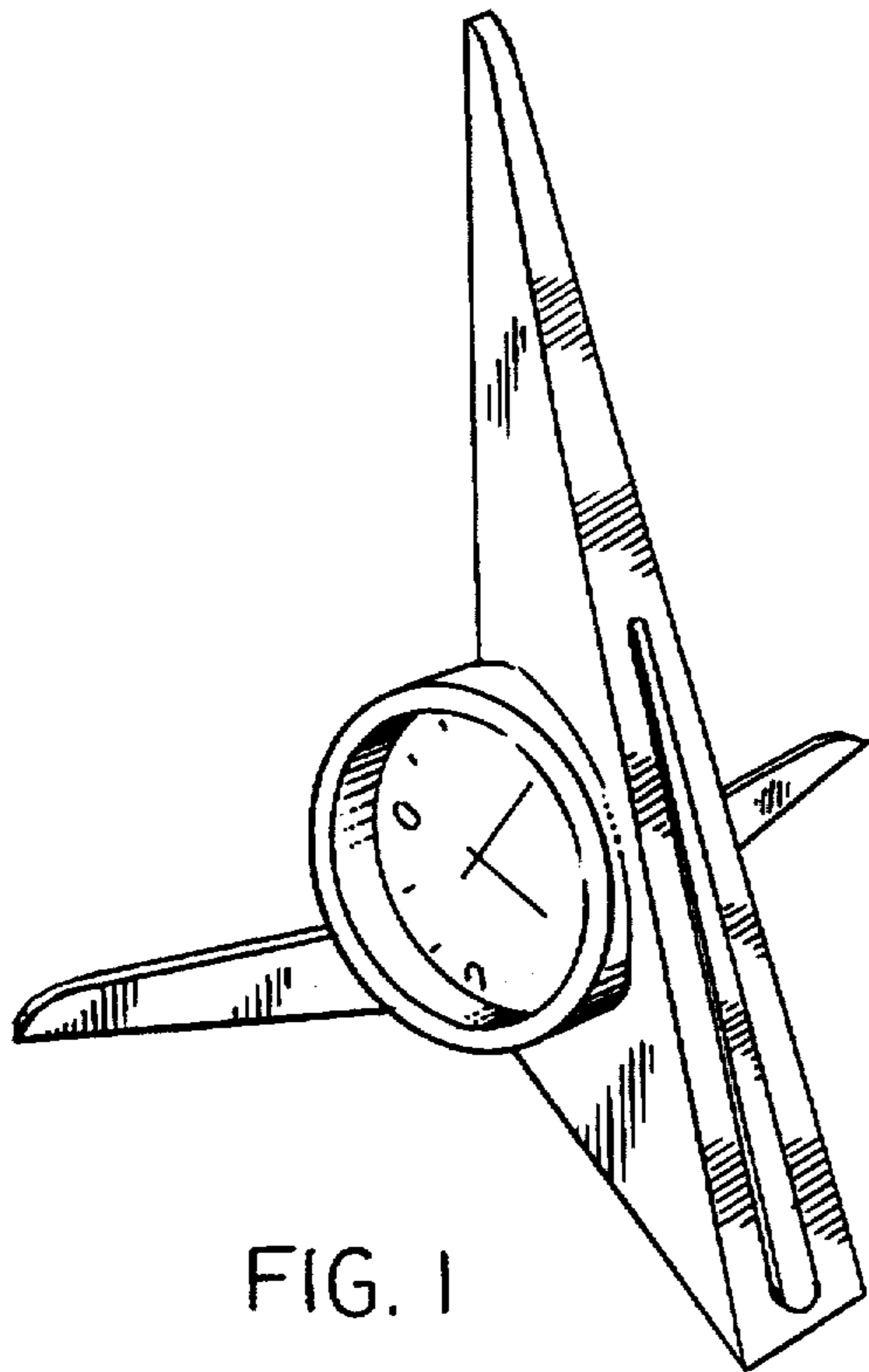


FIG. 1

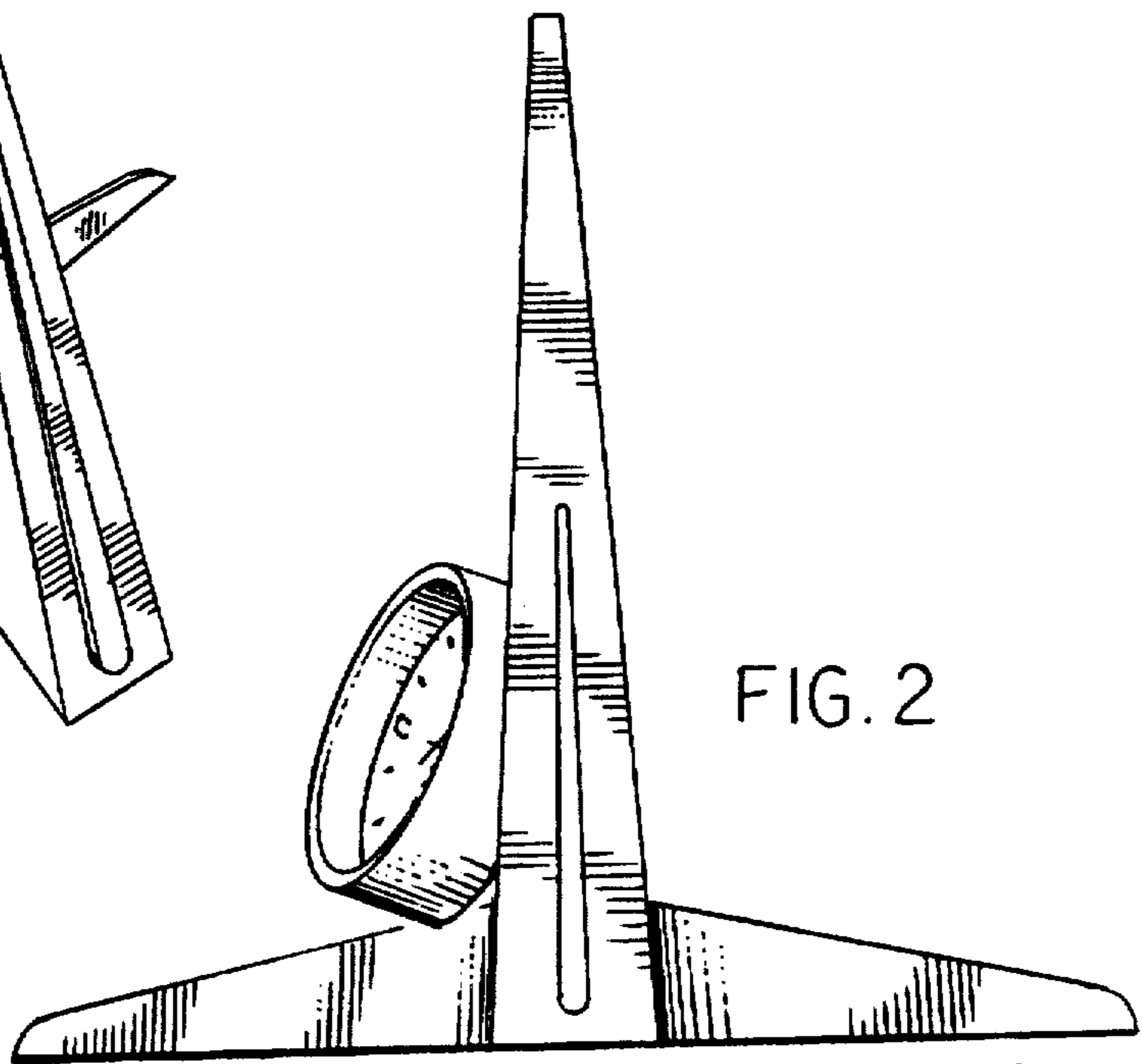


FIG. 2

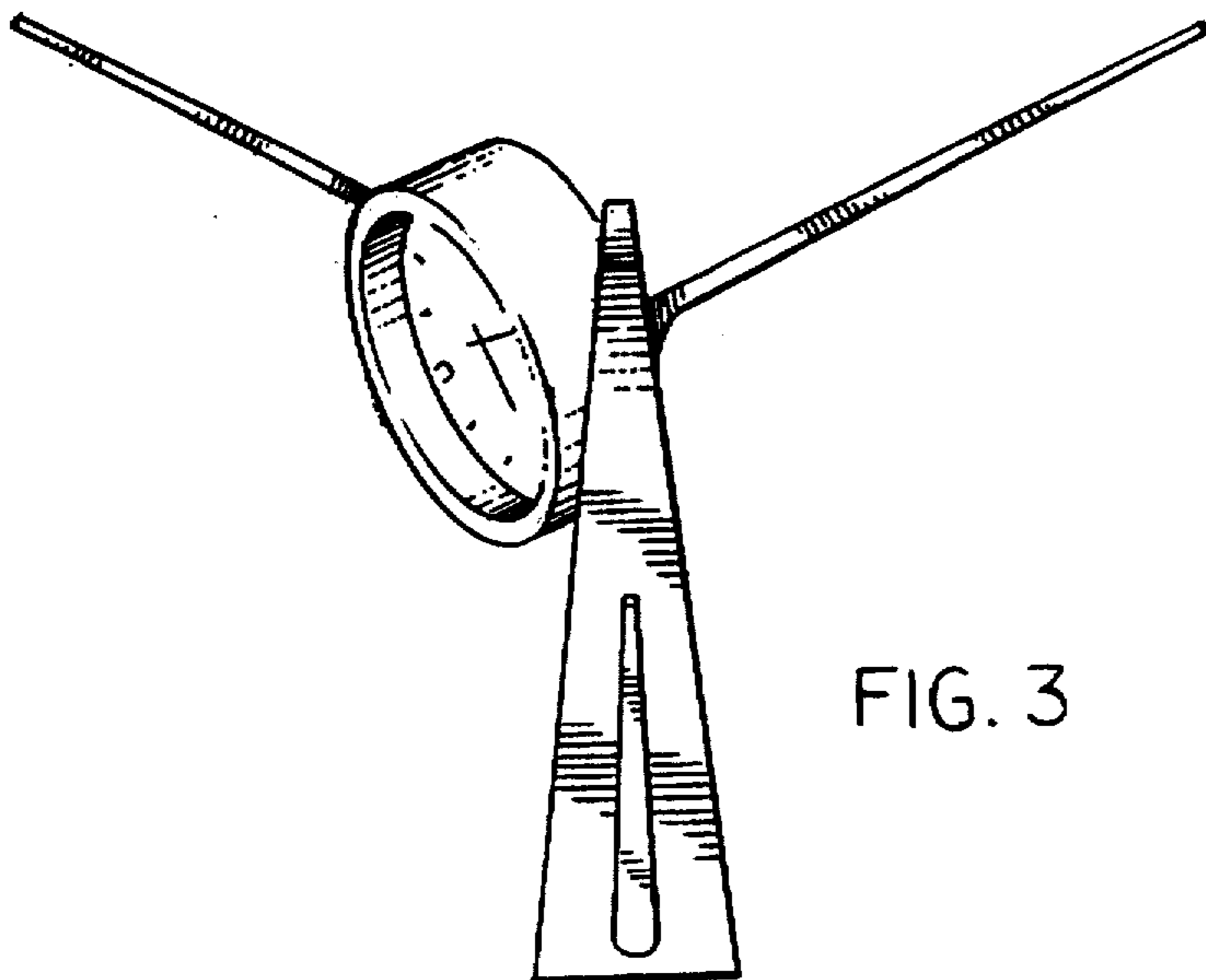


FIG. 3

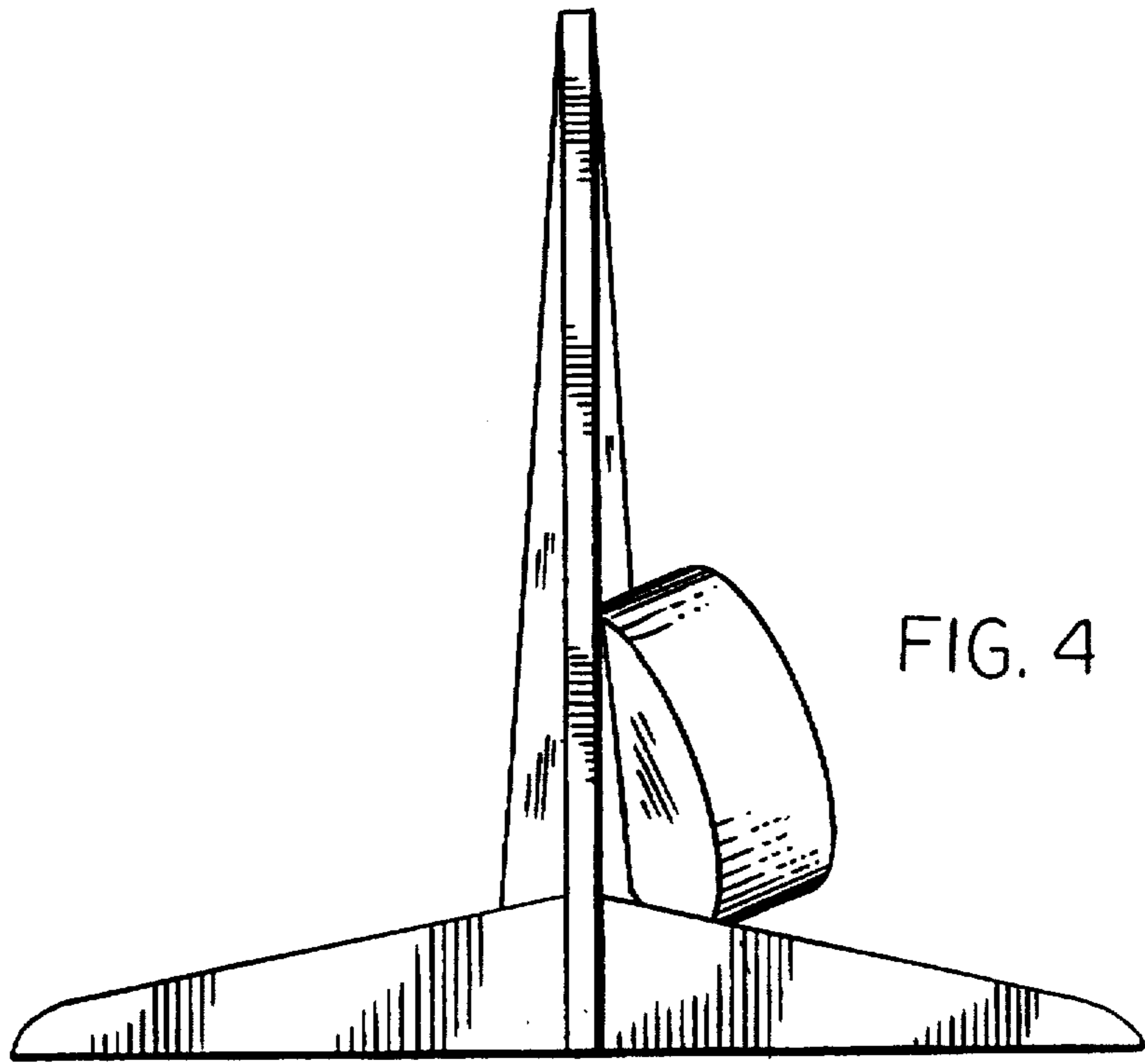


FIG. 4

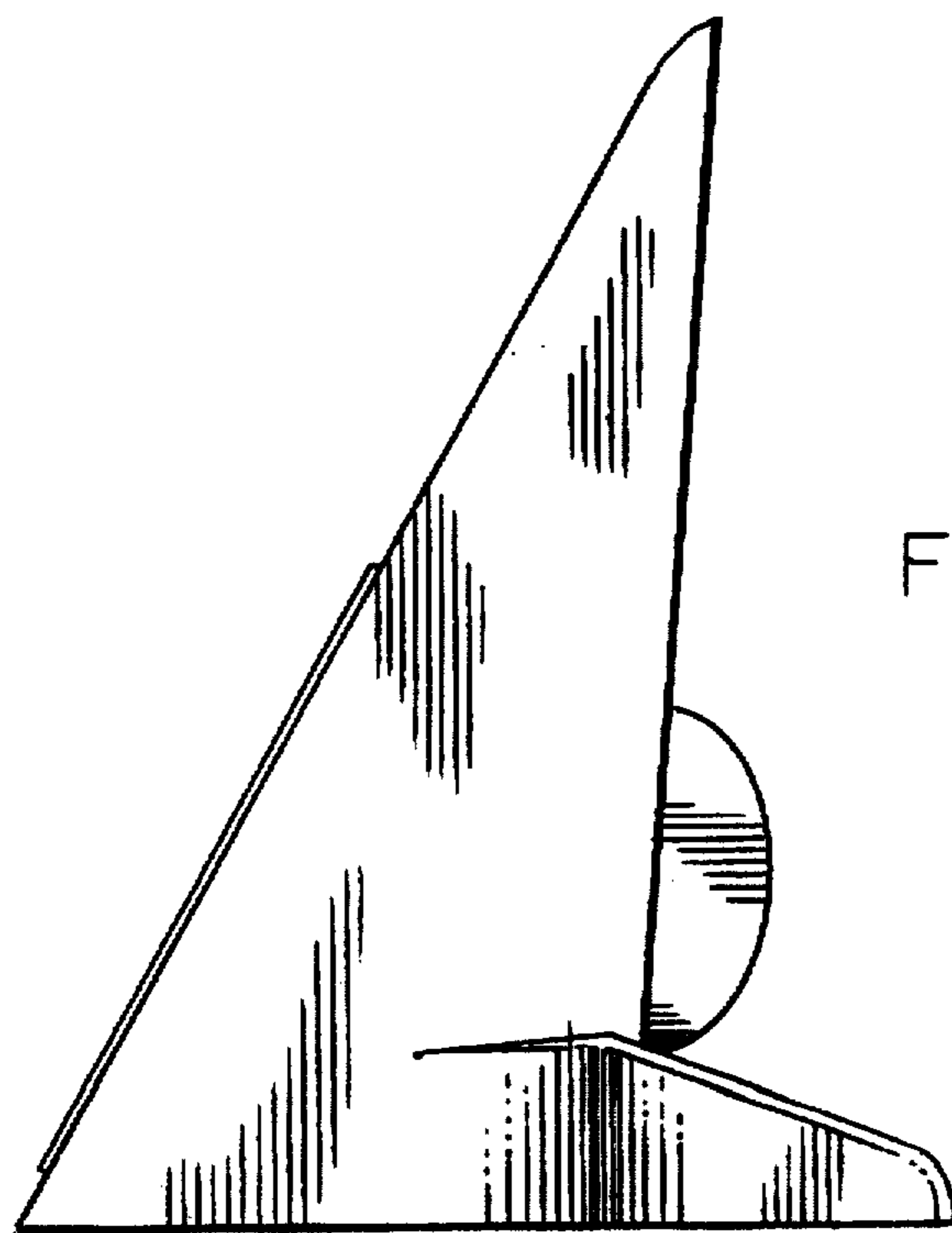


FIG. 5

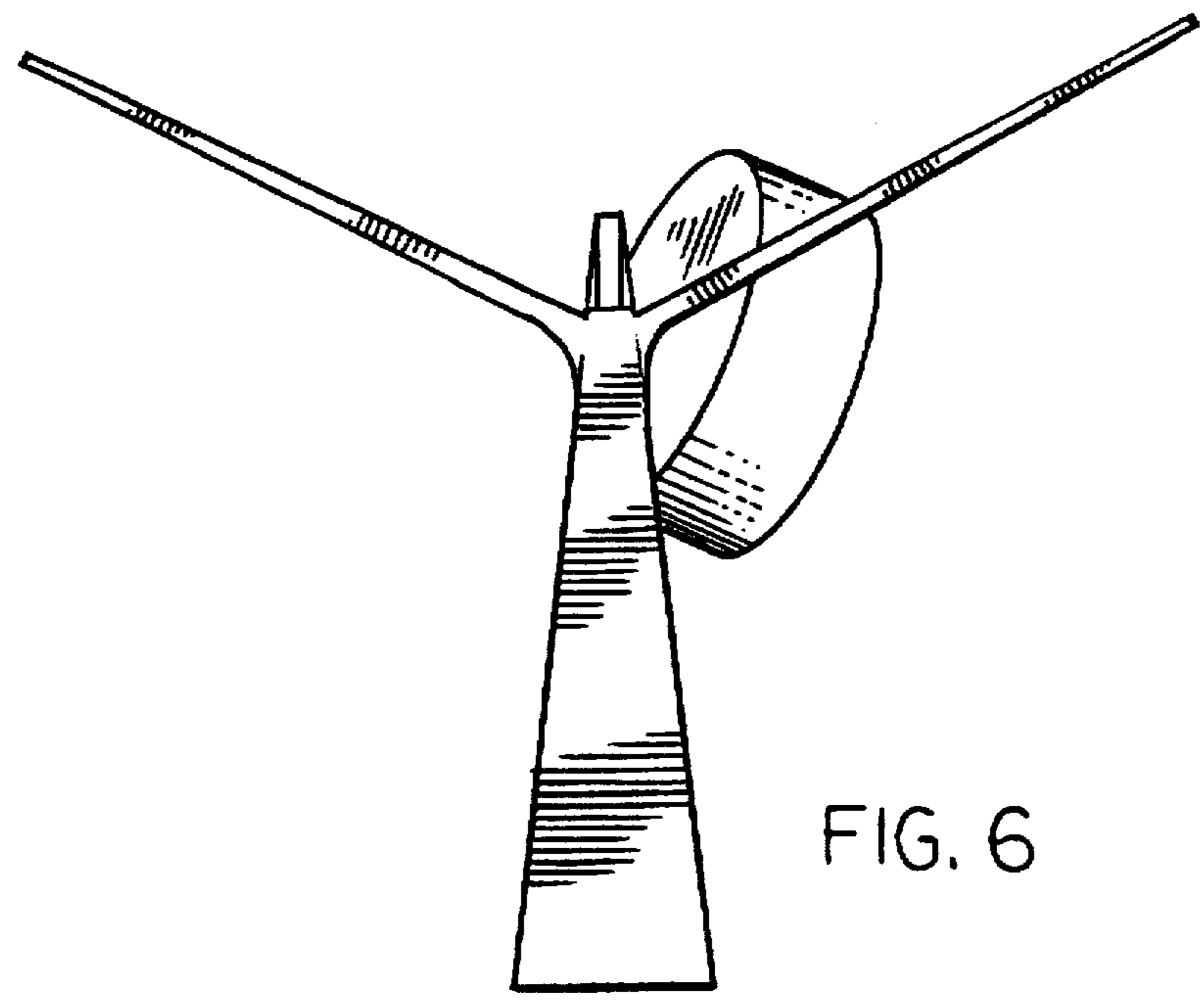


FIG. 6

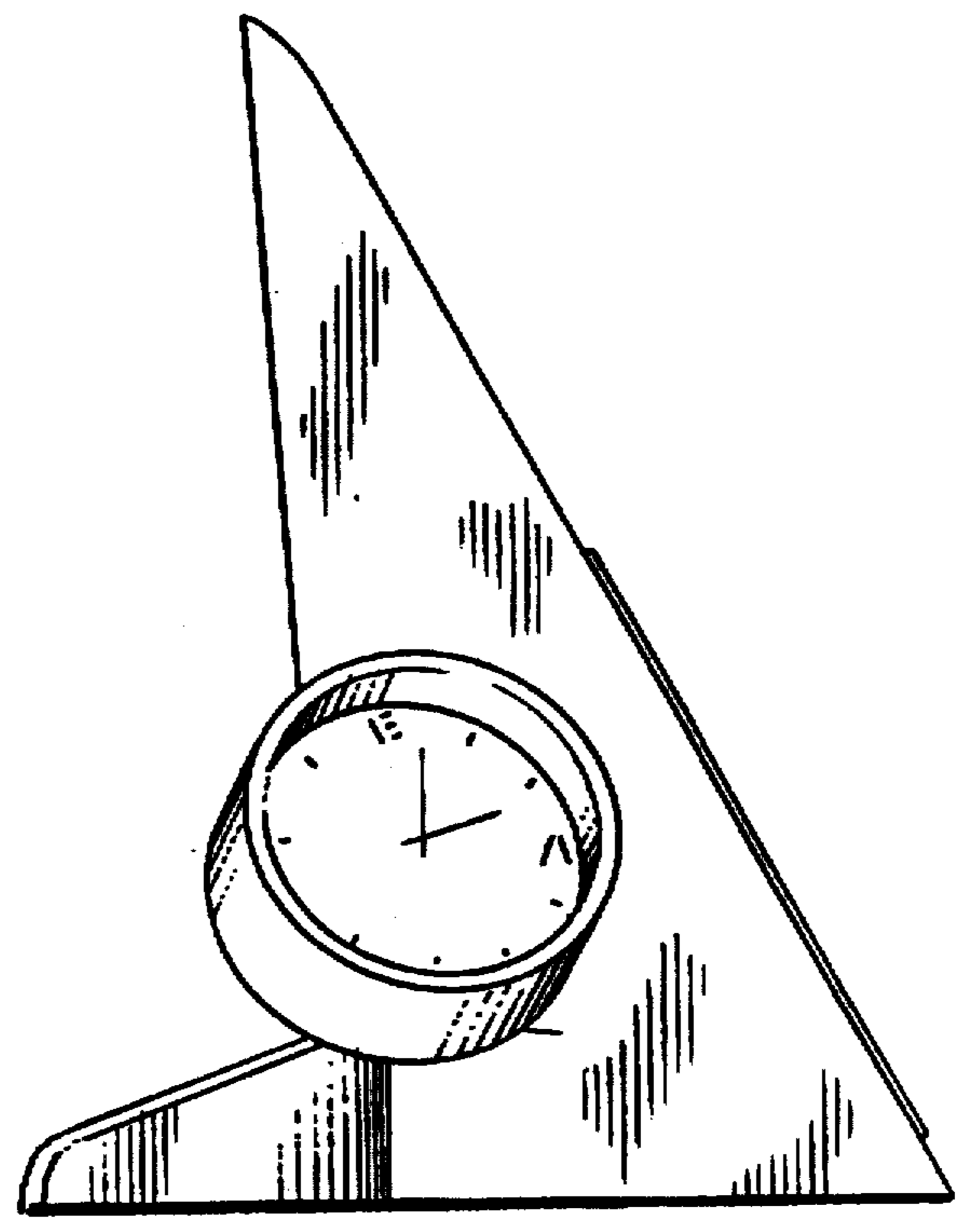


FIG. 7