



US00D408297S

**United States Patent** [19]  
**Hargrove, III**

[11] **Patent Number: Des. 408,297**  
[45] **Date of Patent: \*\*Apr. 20, 1999**

[54] **CLOCK**

D. 267,874 2/1983 Schouten ..... D14/73

[75] **Inventor: Walter Edward Hargrove, III, Athens, Ga.**

**OTHER PUBLICATIONS**

*Hong Kong Enterprise*—Jan. 1986—p. 212. Dig. Clocks.

[73] **Assignee: GTC Properties, Inc., Wilmington, Del.**

*Primary Examiner*—Nelson C. Holtje

*Attorney, Agent, or Firm*—Jones, Day, Reavis & Pogue

[\*\*] **Term: 14 Years**

[57] **CLAIM**

The ornamental design for a clock, as shown and described.

[21] **Appl. No.: 29/087,347**

**DESCRIPTION**

[22] **Filed: Mar. 24, 1998**

[51] **LOC (6) CL ..... 10-01**

FIG. 1 is a perspective view of the clock of the present invention;

[52] **U.S. Cl. .... D10/15; D10/1; D10/2**

FIG. 2 is a front elevational view of the clock of FIG. 1;

[58] **Field of Search ..... D10/1-40; D14/122-132,**

FIG. 3 is a top plan view of the clock of FIG. 1;

D14/73; 368/280-282, 276-277, 28-30,

FIG. 4 is a bottom plan view of the clock of FIG. 1; and,

285, 239-242, 82-84, 41-44, 243-249

FIG. 5 is a right side elevational view of the clock of FIG. 1, the left side view being a mirror image thereof.

[56] **References Cited**

The broken line showing of "buttons" in all figures and "numerals" in FIG. 2 is for environmental purposes only and forms no part of the claimed design.

**U.S. PATENT DOCUMENTS**

D. 252,854 9/1979 Thlesfore ..... D10/15

D. 261,765 11/1981 Mishiro ..... D10/2 X

**1 Claim, 2 Drawing Sheets**

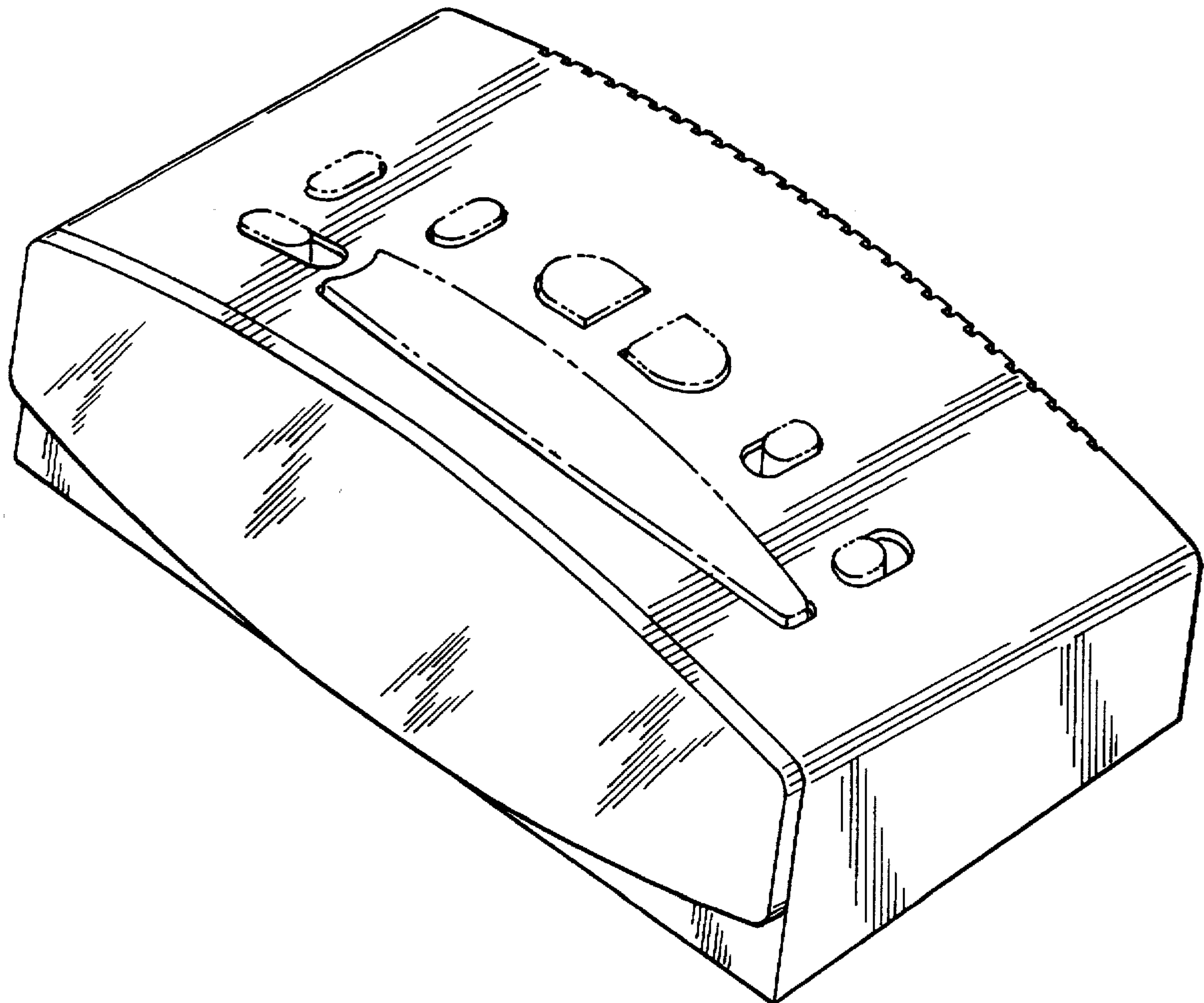


FIG.5

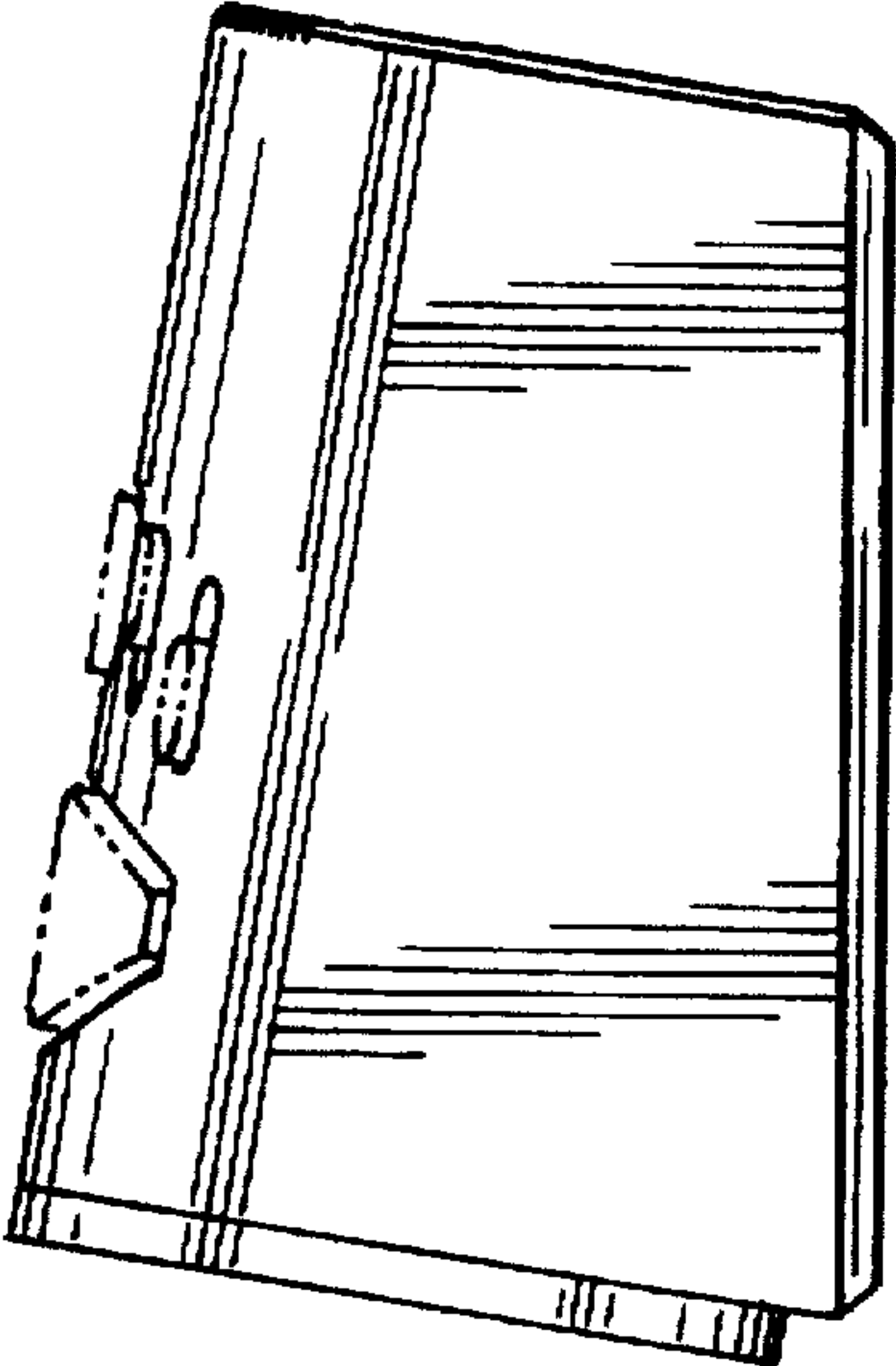


FIG.1

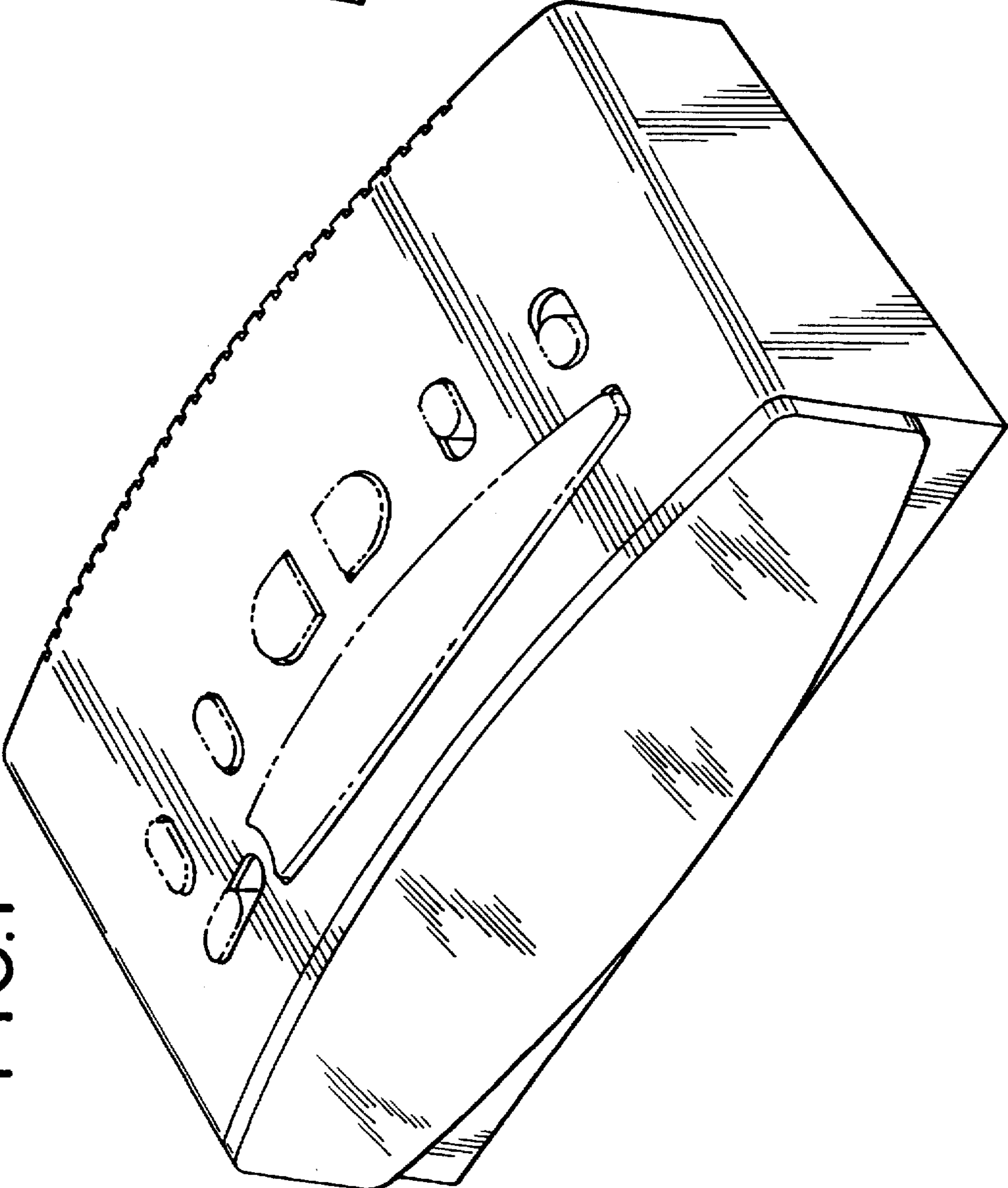


FIG.2

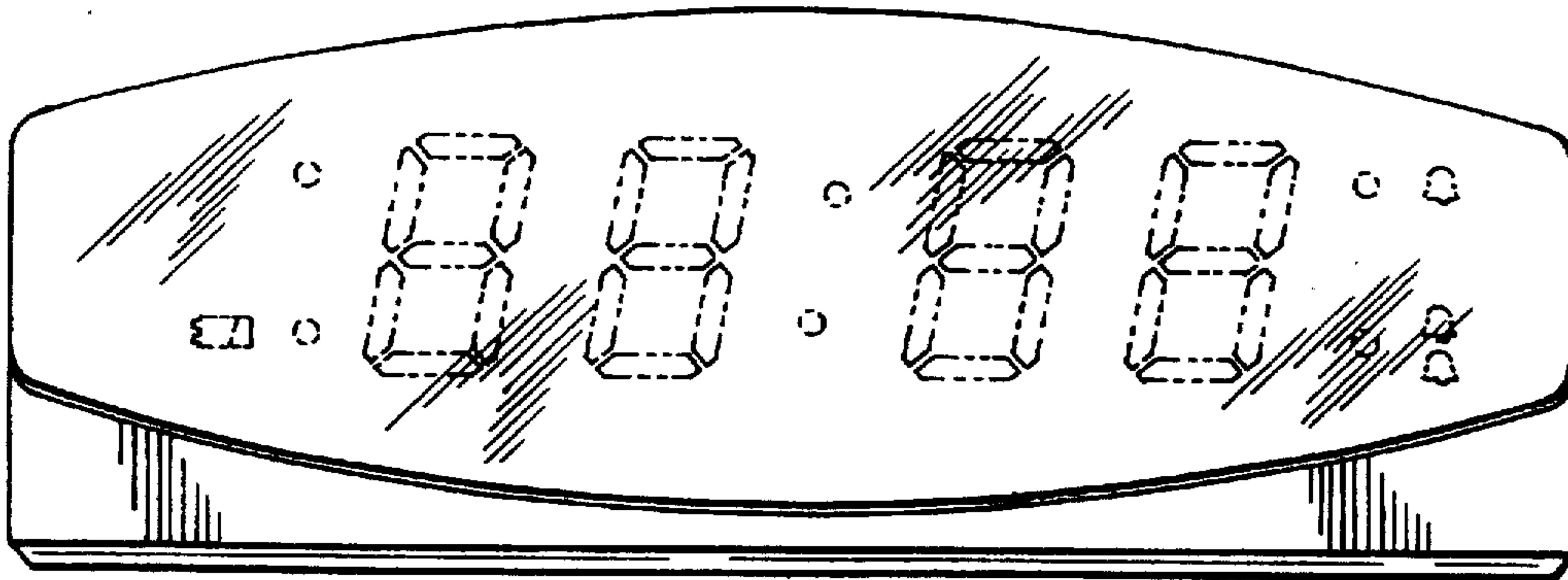


FIG.3

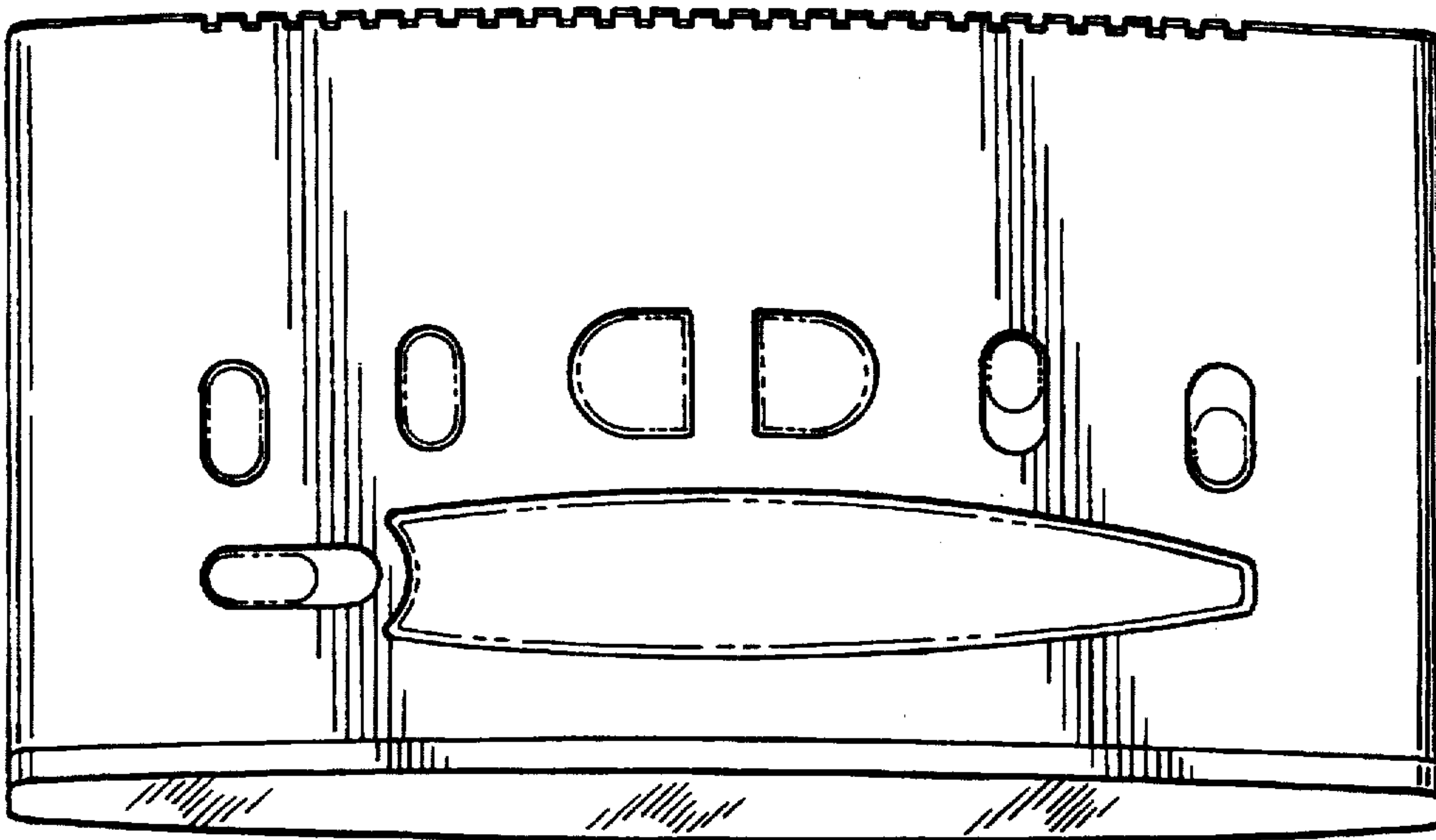


FIG.4

