



US00D408296S

United States Patent [19]

[11] Patent Number: Des. 408,296

Hui

[45] Date of Patent: **Apr. 20, 1999

[54] ALARM CLOCK

[75] Inventor: Chan-san Hui, Tsuen Wan, The Hong Kong Special Administrative Region of the People's Republic of China

[73] Assignees: OEM Electronics Limited; Grow Up Electronics Limited, both of New Territories, The Hong Kong Special Administrative Region of the People's Republic of China

[**] Term: 14 Years

[21] Appl. No.: 29/067,046

[22] Filed: Feb. 24, 1997

[51] LOC (6) Cl. 10-01

[52] U.S. Cl. D10/15; D10/1; D10/2

[58] Field of Search D10/1-40, 122-132; D14/113, 126; 368/280-282, 276-277, 28-30, 285, 239-242, 243-249, 82-84, 41-44

D. 349,489	8/1994	Wang	D14/113
D. 354,485	1/1995	Maeno	D14/126 X
D. 364,855	12/1995	Onoda	D14/113
D. 373,579	9/1996	Searby	D14/113
D. 384,894	10/1997	Tsuei	D10/6
D. 386,159	11/1997	Wakui	D14/113
D. 391,936	3/1998	Usui	D14/113
D. 392,899	3/1998	Cazbnave	D10/6

Primary Examiner—Nelson C. Holtje
Attorney, Agent, or Firm—Bryan Cave LLP

[57] CLAIM

The ornamental design for an alarm clock, as shown.

DESCRIPTION

FIG. 1 is a front perspective view of the alarm clock showing my new design;
FIG. 2 is back perspective view of the alarm clock showing my new design;
FIG. 3 is a side view of the alarm clock showing my new design;
FIG. 4 is a top plan view of the alarm clock showing my new design; and,
FIG. 5 is a bottom plan view of the alarm clock showing my new design.

[56] References Cited

U.S. PATENT DOCUMENTS

D. 230,302 2/1974 Ochiai .

1 Claim, 2 Drawing Sheets

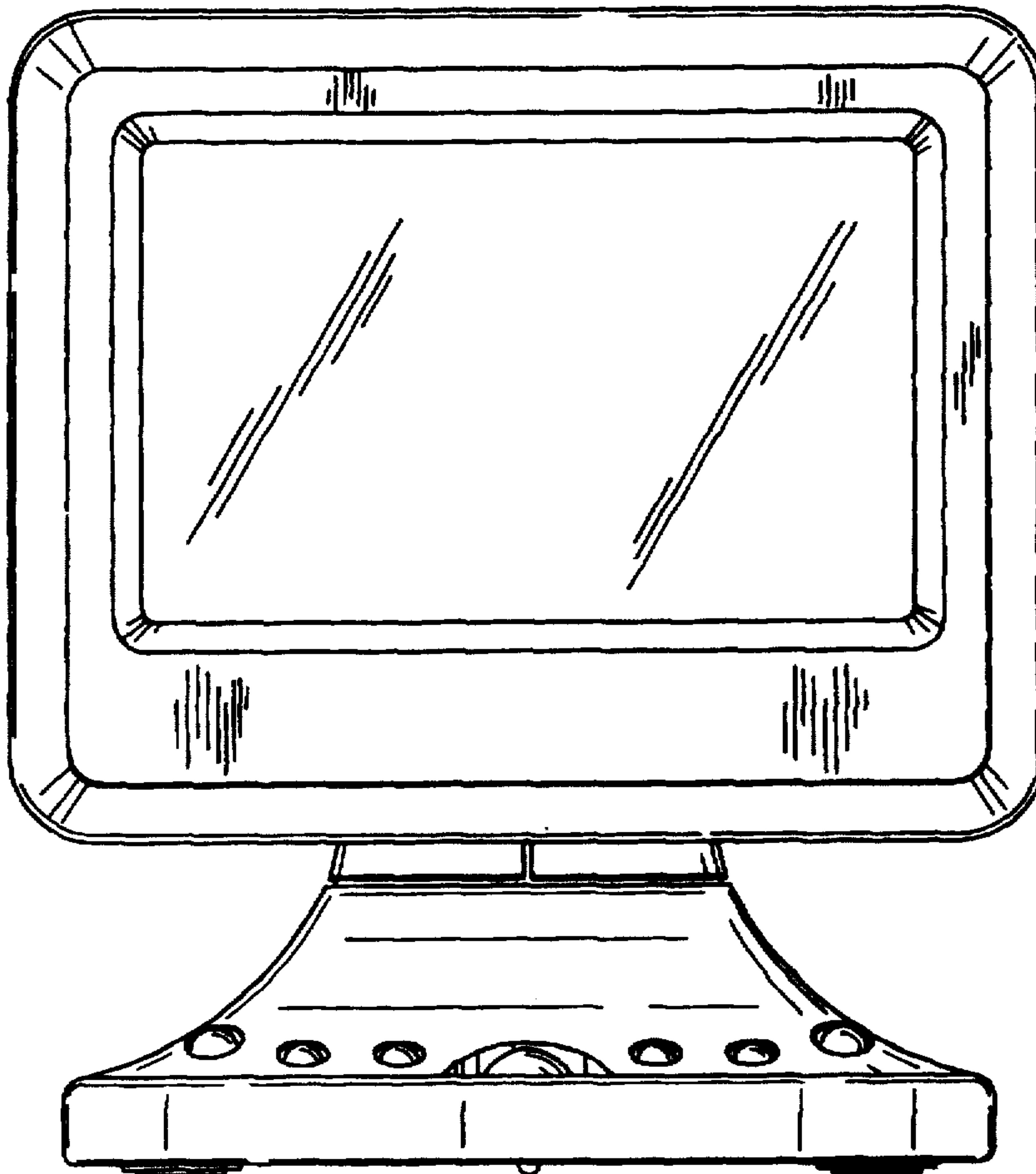


FIG. 2

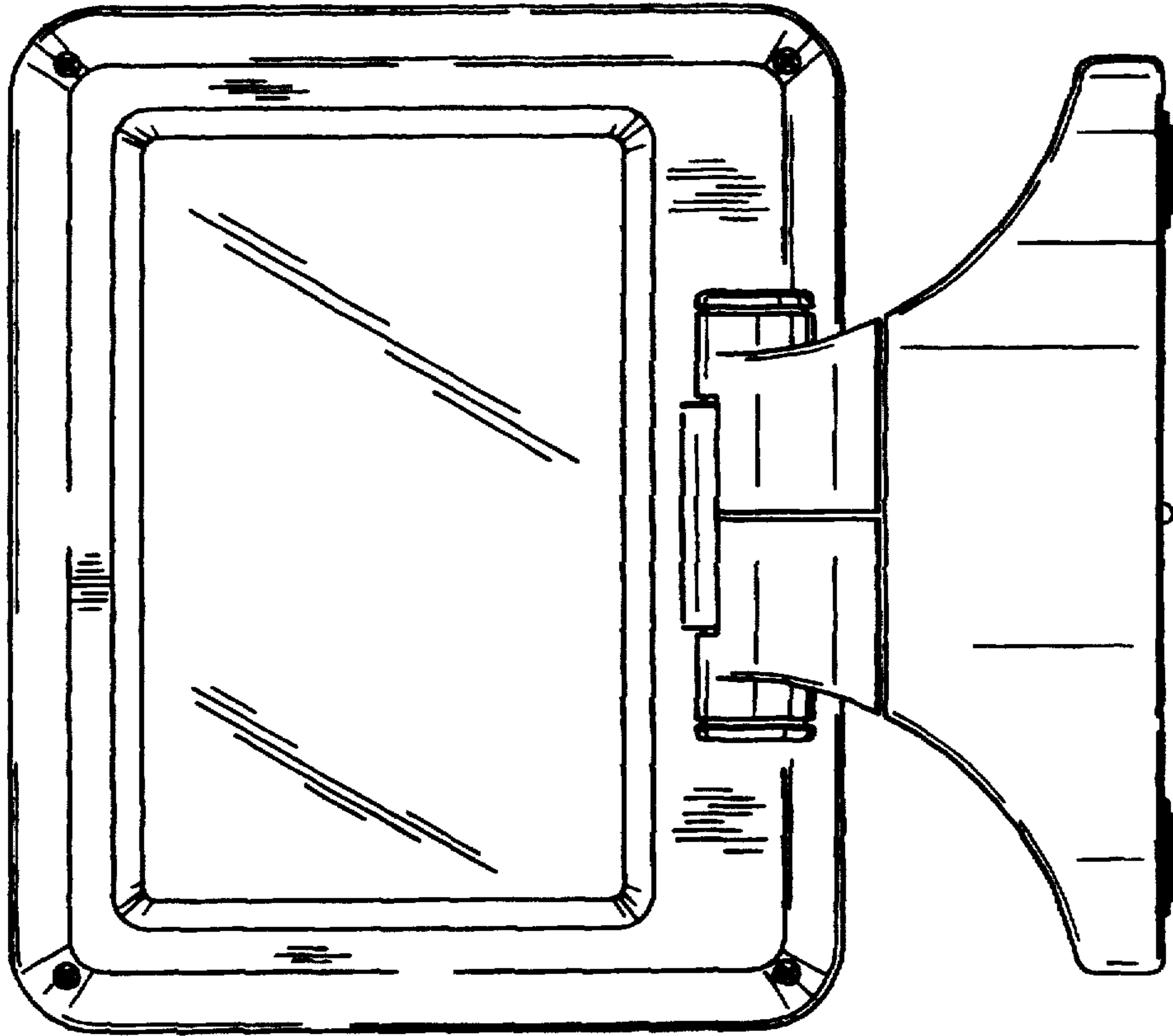


FIG. 1

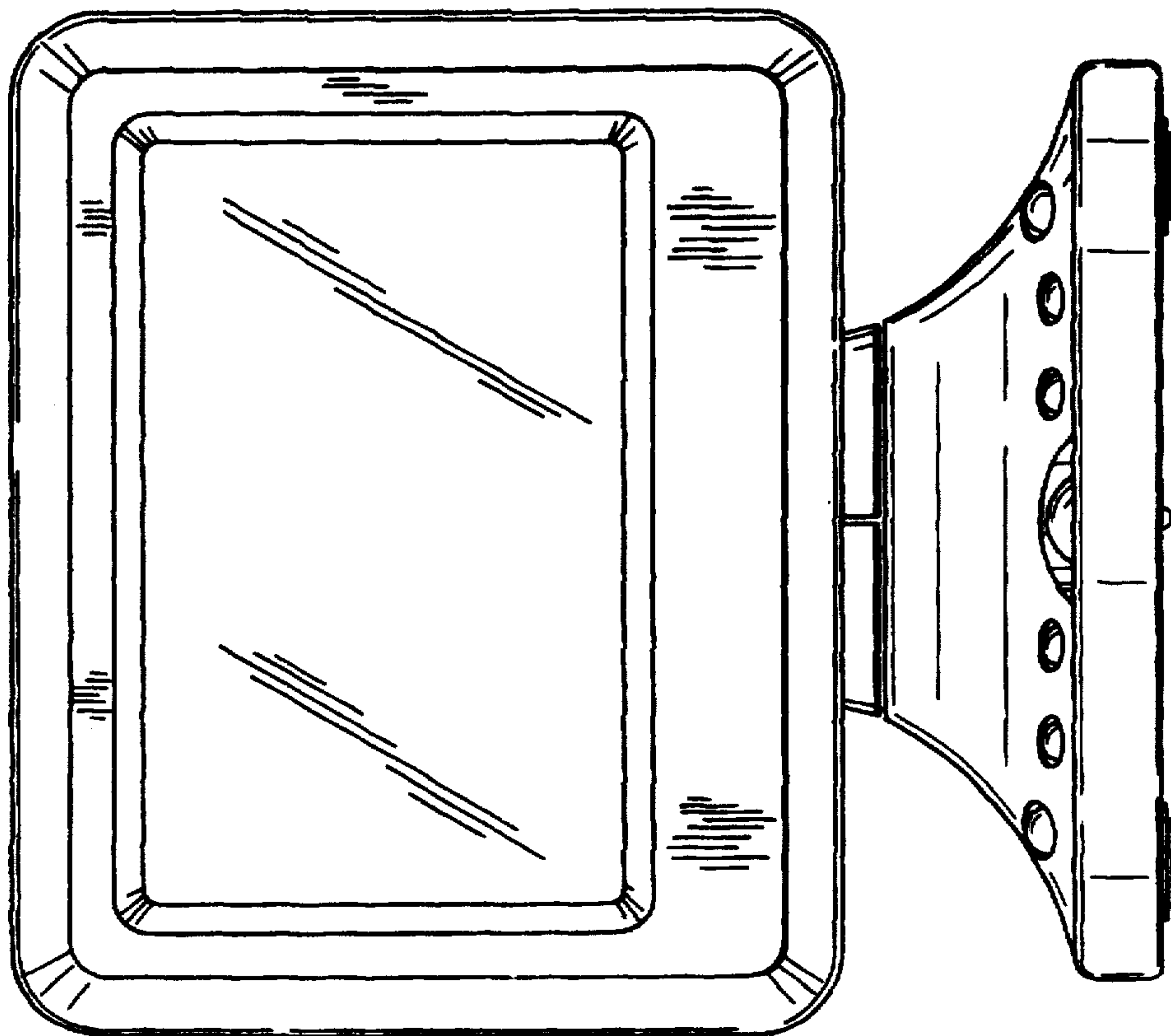


FIG. 4

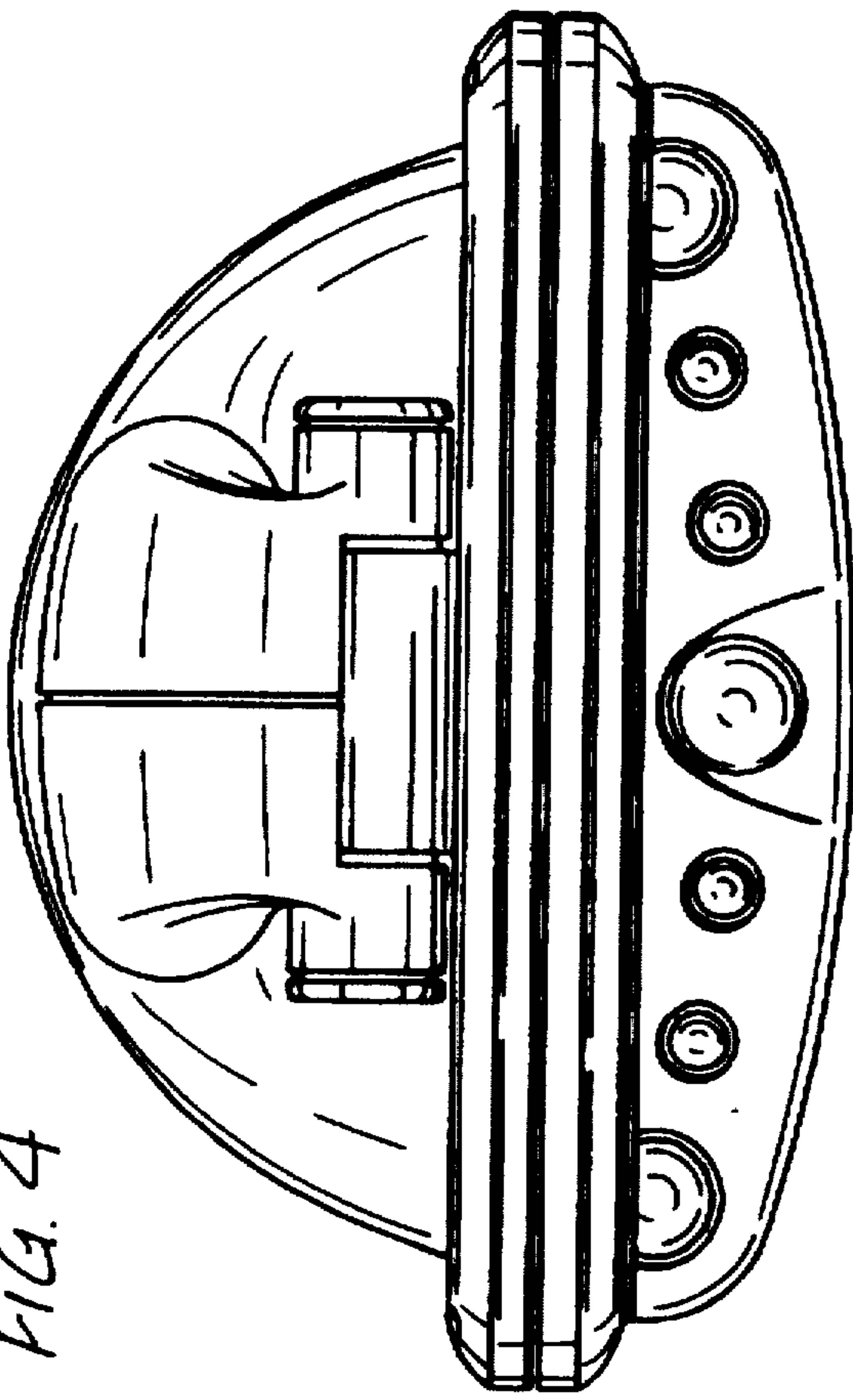


FIG. 5

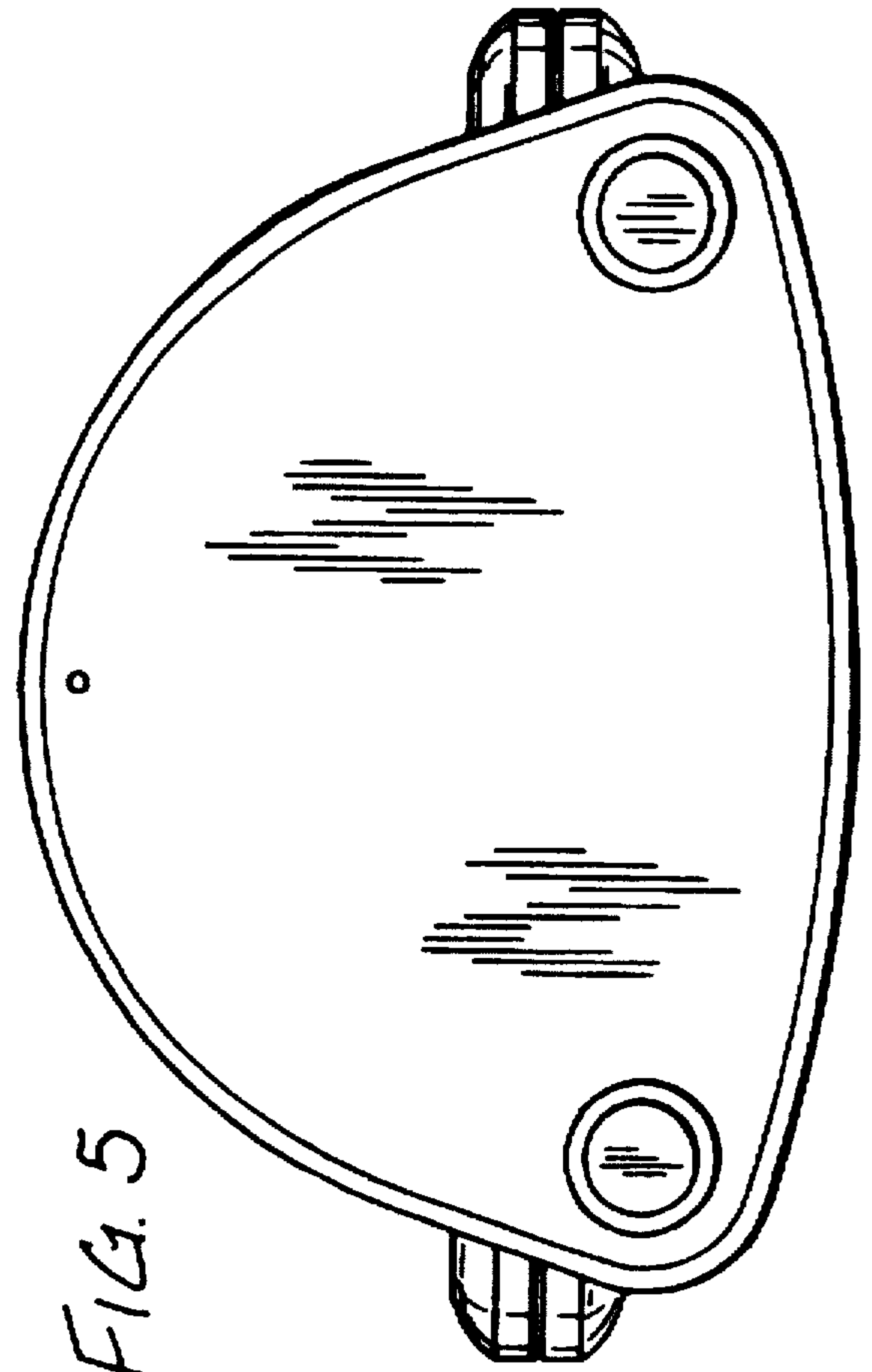


FIG. 3

