



US00D408295S

United States Patent [19]

[11] Patent Number: Des. 408,295

Ducker

[45] Date of Patent: ** Apr. 20, 1999

[54] COMBINATION DIGITAL CLOCK AND LAMP BASE

[76] Inventor: Douglas W. Ducker, 509 Palmer Dr., No. Syracuse, N.Y. 13212

[**] Term: 14 Years

[21] Appl. No.: 29/087,761

[22] Filed: May 8, 1998

[51] LOC (6) Cl. 10-01

[52] U.S. Cl. D10/5; D10/2

[58] Field of Search D10/1-40, 122-132; 368/280-282, 276-277, 28-30, 285, 239-242, 82-84, 41-44; D26/54

[56] References Cited

U.S. PATENT DOCUMENTS

D. 87,412	7/1932	Rudanet	D26/54
D. 103,071	2/1937	Magro	D10/5
D. 108,402	2/1938	Pool	D26/52
D. 120,017	4/1940	Punkie	D26/52
D. 131,954	4/1942	Crowley	D26/54 X
D. 368,227	3/1996	Danko	D26/54 X
D. 370,285	5/1996	Widdup	D10/5 X

Primary Examiner—Nelson C. Holtje
Attorney, Agent, or Firm—Elsie C. Turner

[57] CLAIM

The ornamental design for a combination digital clock and lamp base, as shown and described.

DESCRIPTION

FIG. 1 is a top front perspective view of a combination

digital clock and lamp base;

FIG. 2 is a front elevational view thereof;

FIG. 3 is a rear elevational view thereof;

FIG. 4 is a right side elevational view thereof;

FIG. 5 is a left side elevational view thereof;

FIG. 6 is top front perspective view of a second embodiment of my new design of FIGS. 1-5, FIGS. 2-5 being the corresponding views of this embodiment;

FIG. 7 is a top and front perspective view of a third embodiment of my new design of FIGS. 1-5, FIGS. 2-5 (with a double row of buttons) being the corresponding views of this embodiment;

FIG. 8 is a top and front perspective of a fourth embodiment of my new design of FIGS. 1-5 with the compartment lid shown in an open position, it being understood that the top thereof is flat and plain with FIGS. 2-5 being the corresponding views of this embodiment;

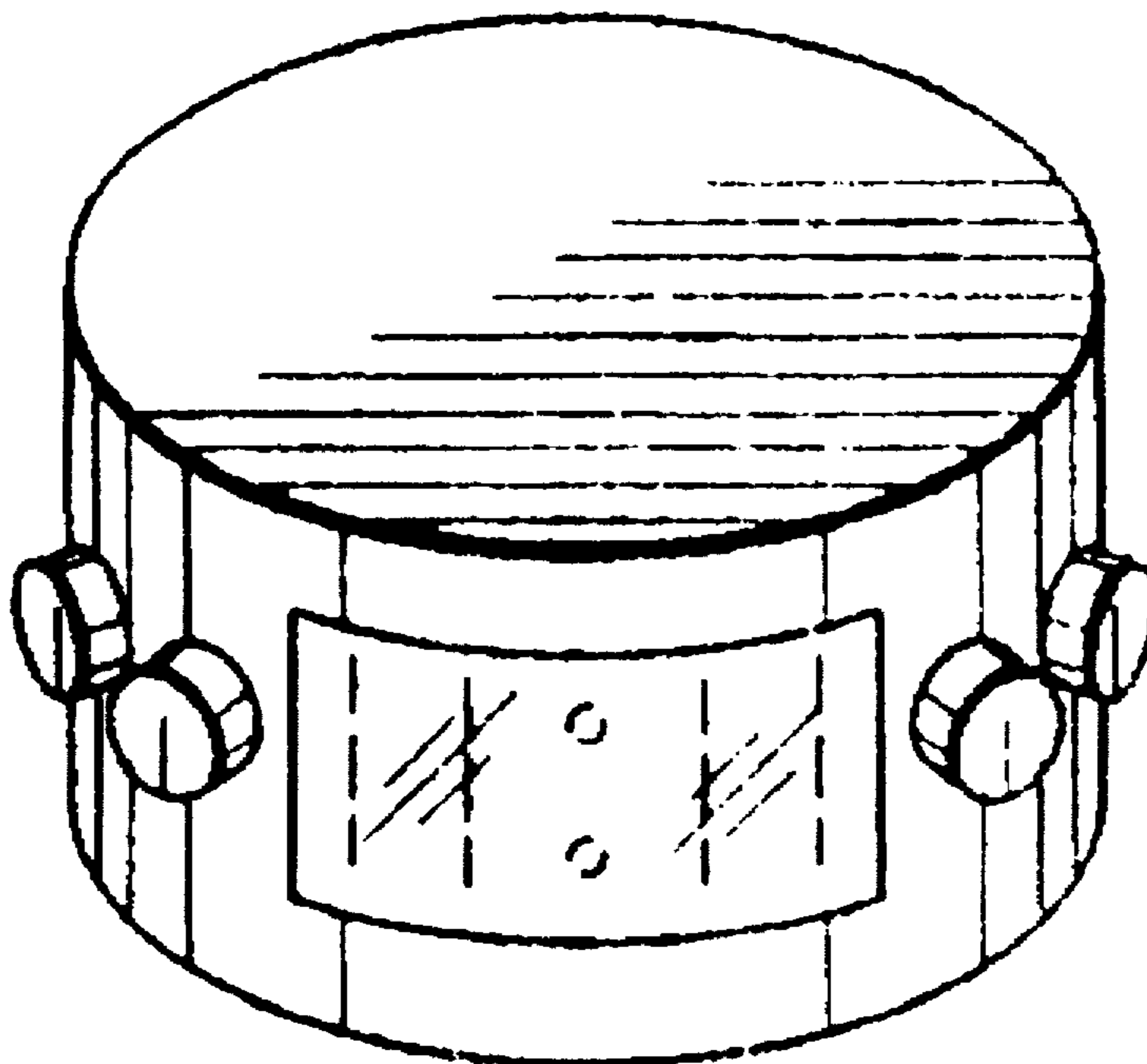
FIG. 9 is a bottom plan view of the four embodiments of my design shown in FIGS. 1-8;

FIG. 10 is a top and front perspective view of a fifth embodiment of my new design (with a double row of buttons), the front halves of the right and left sides thereof being visible in this view;

FIG. 11 is a top and rear perspective view of the fifth embodiment of FIG. 10, the rear halves of the right and left sides thereof being visible in this view; and,

FIG. 12 is a bottom plan view of the embodiment of the design of FIGS. 10 and 11.

1 Claim, 1 Drawing Sheet



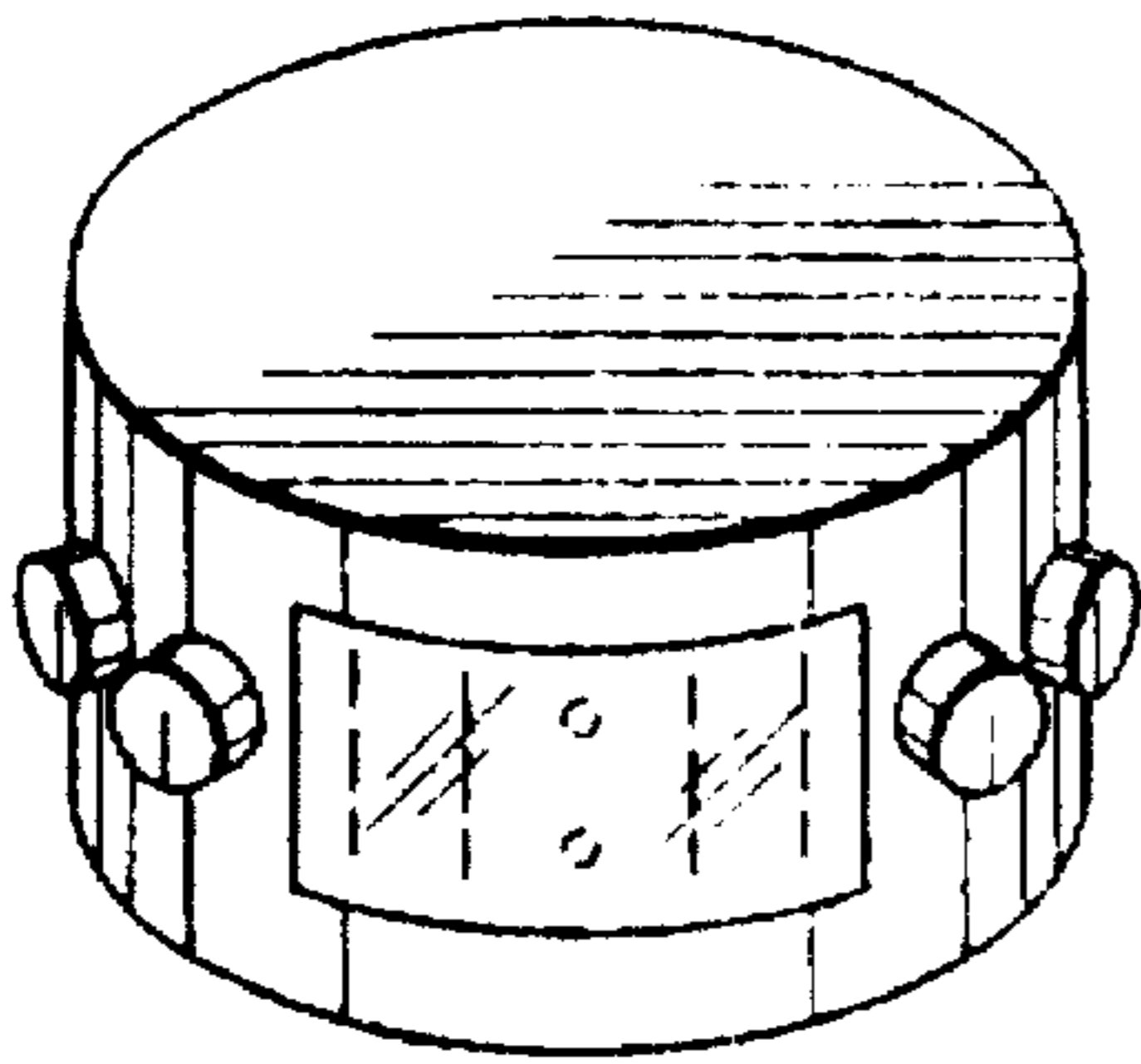


FIG. 1

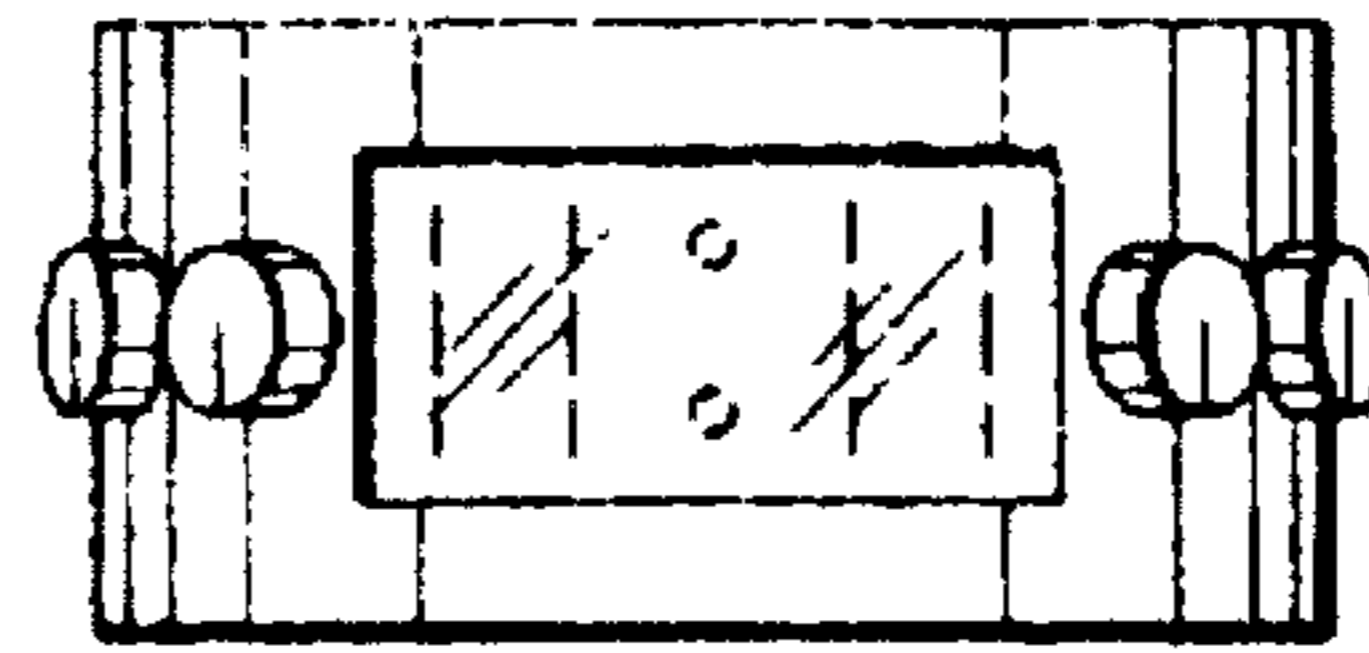


FIG. 2

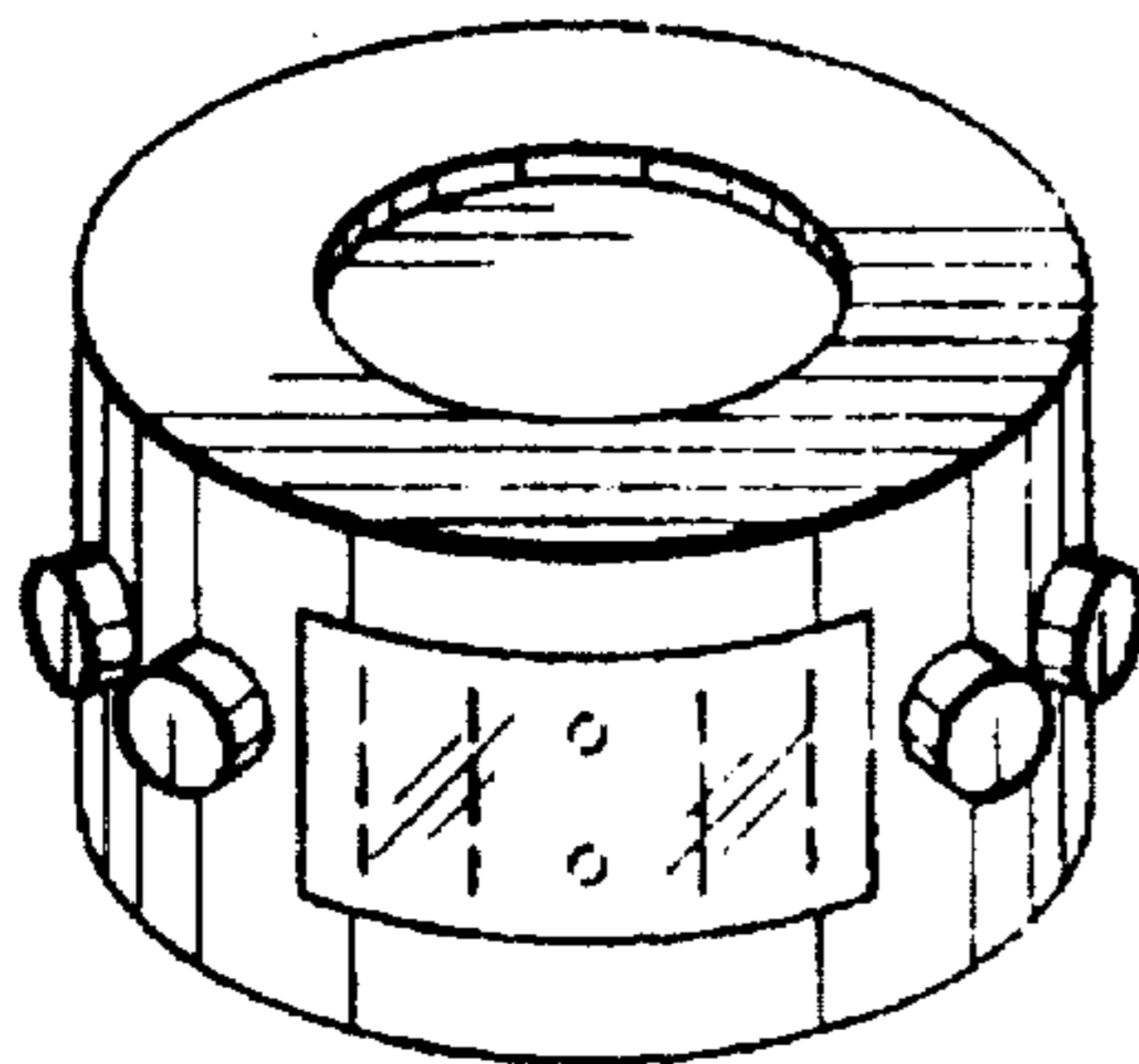


FIG. 3

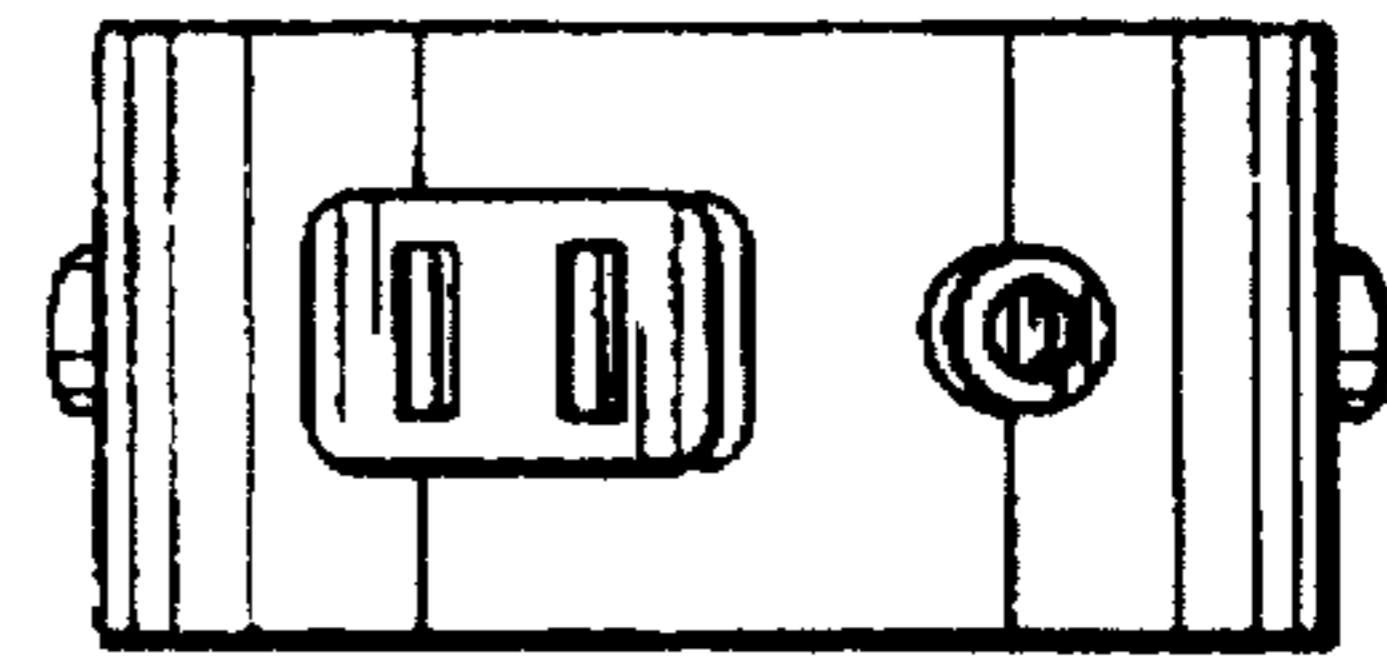


FIG. 4

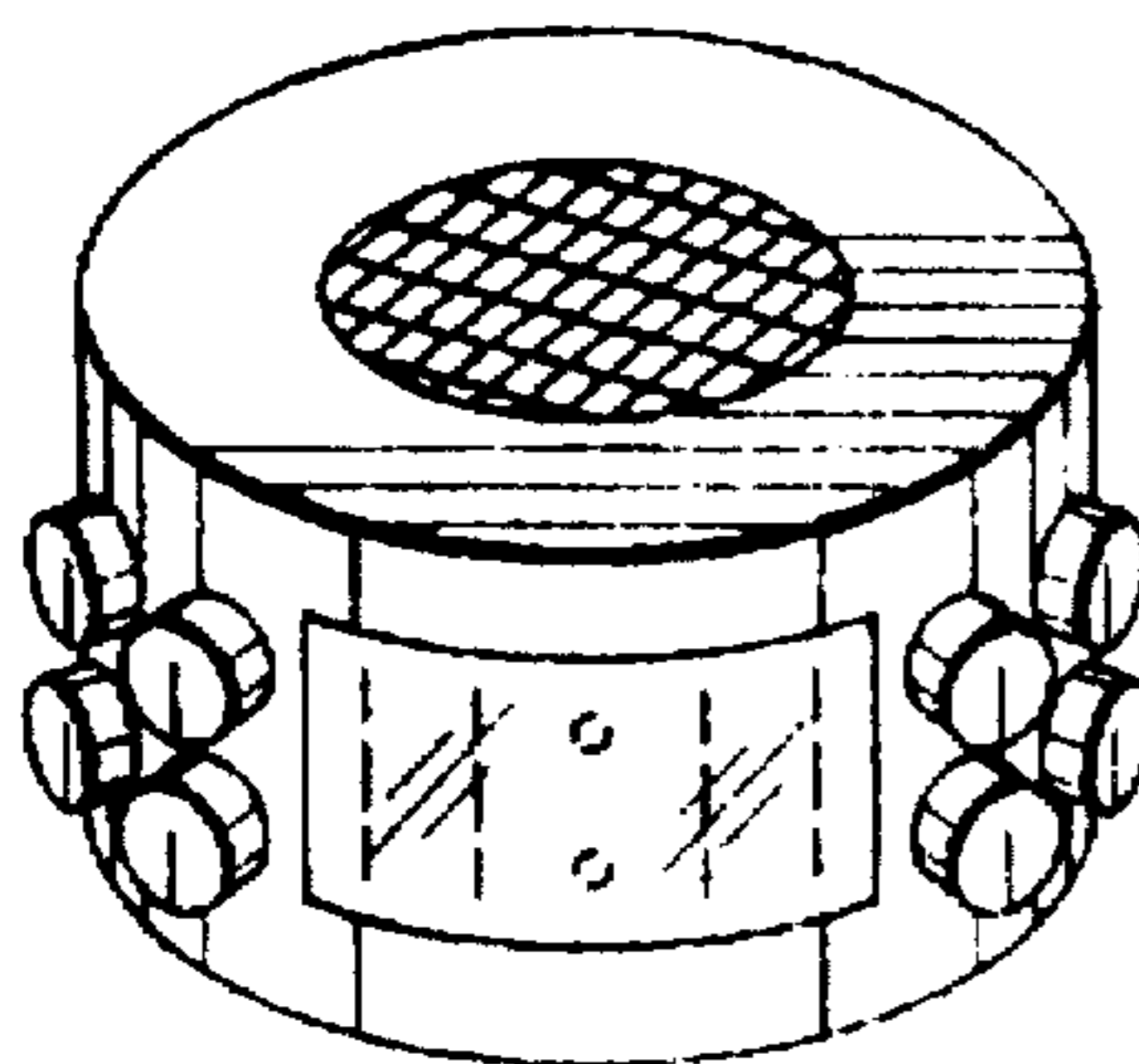


FIG. 6

FIG. 5

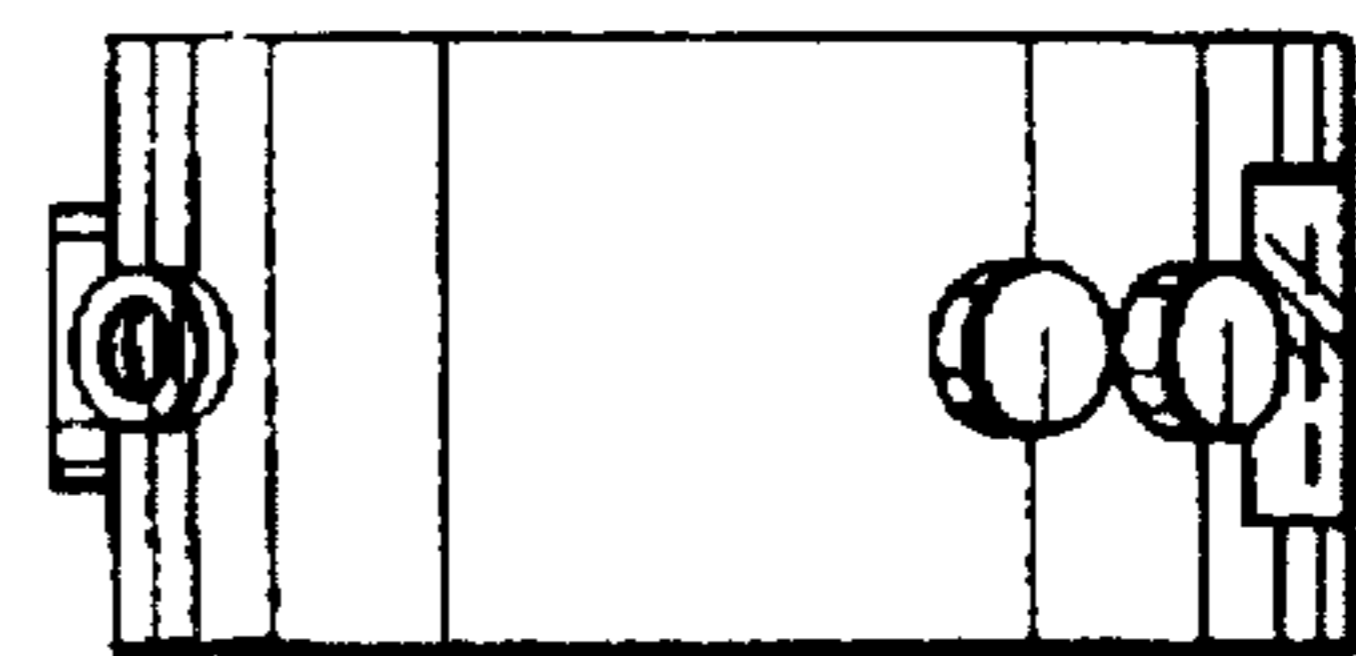


FIG. 7

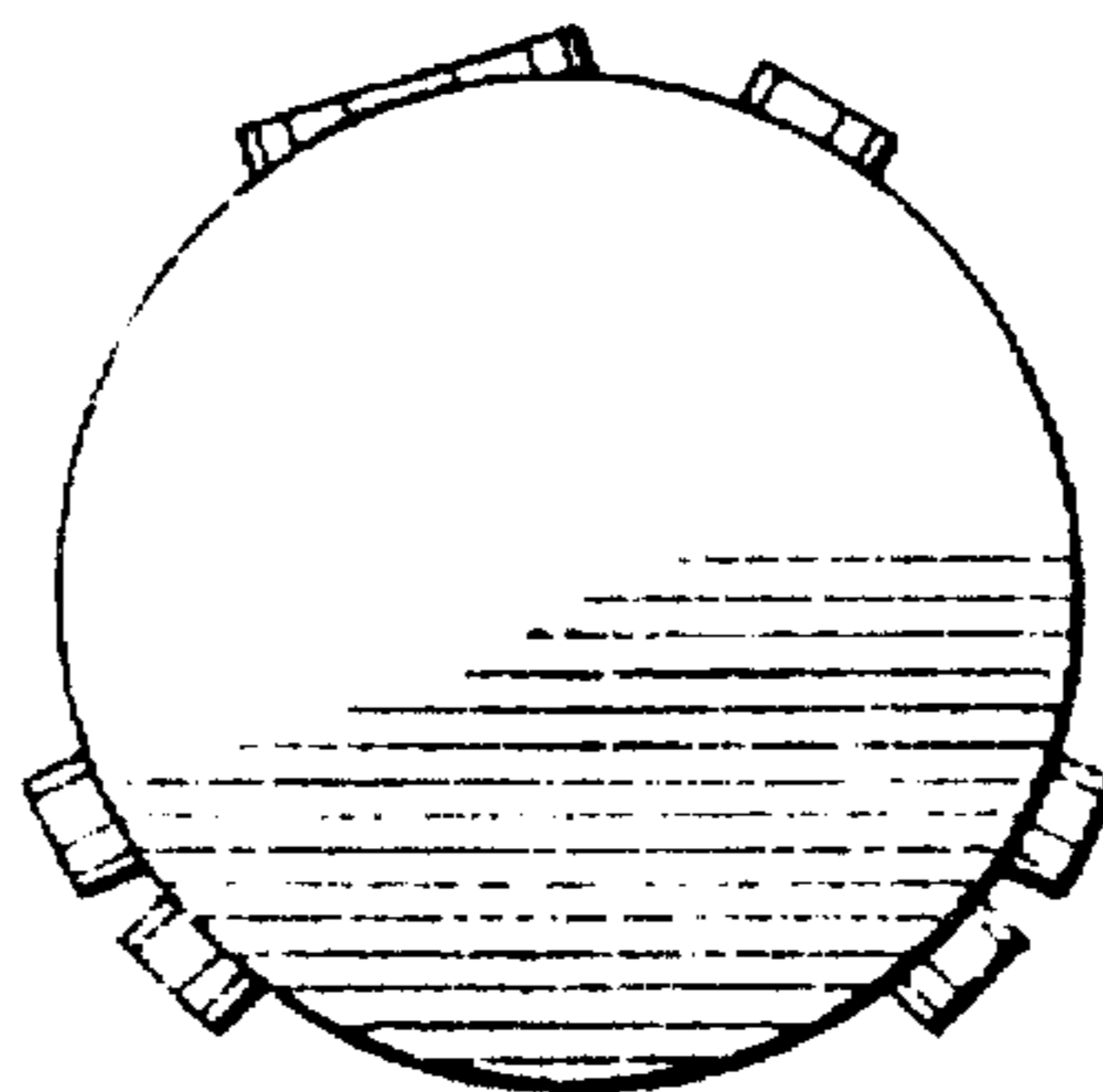


FIG. 9

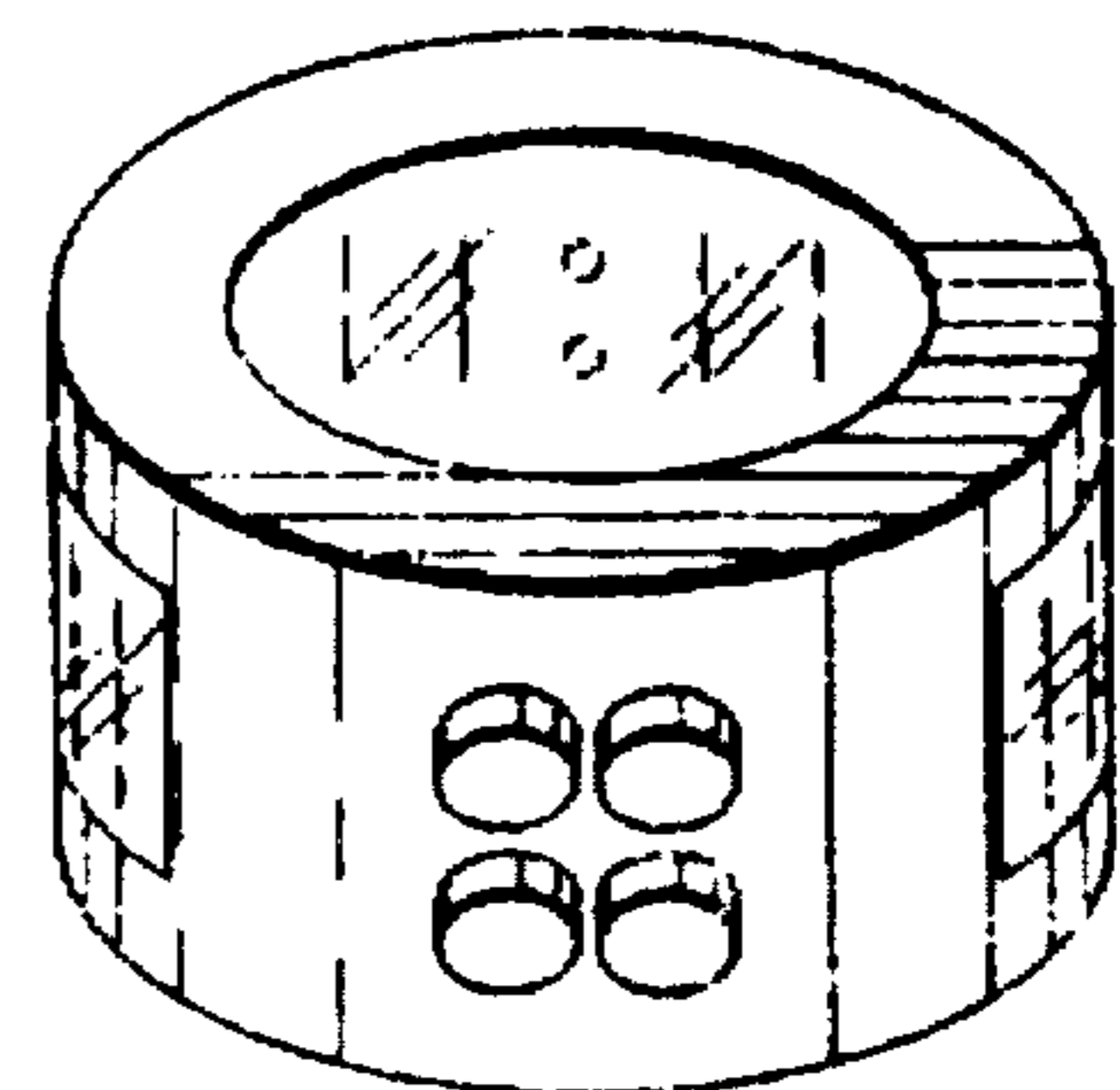


FIG. 10

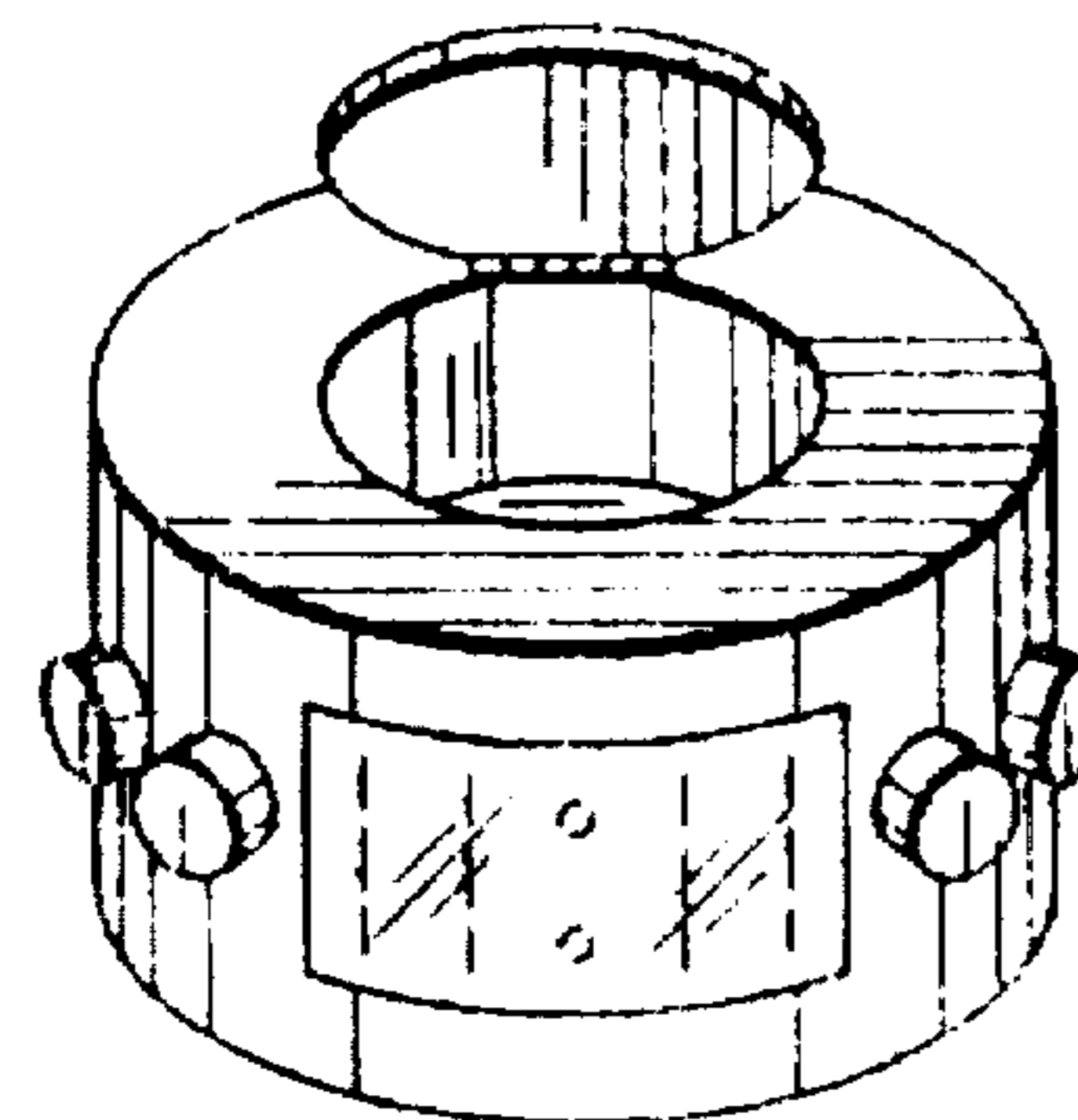


FIG. 8

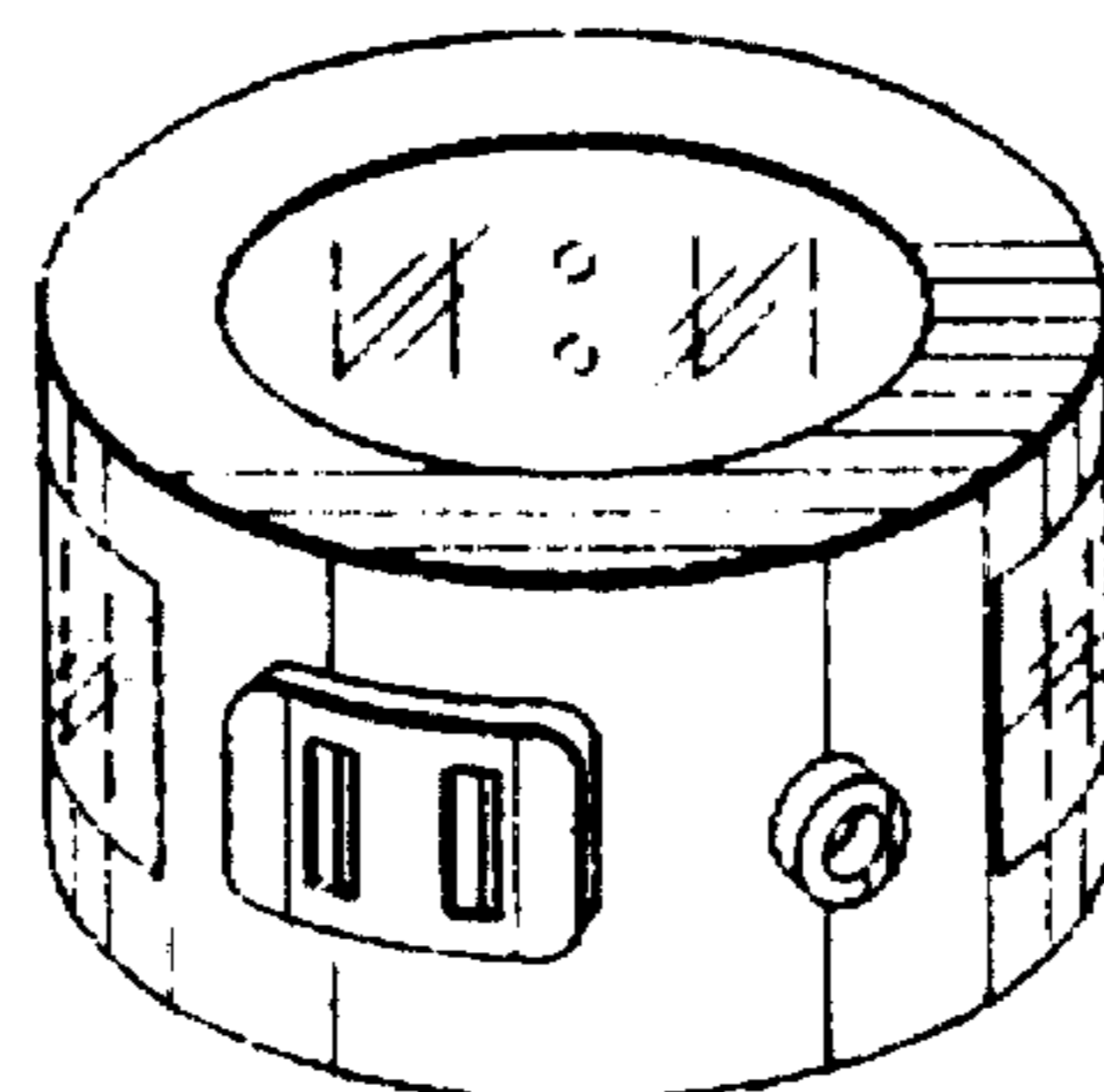


FIG. 11

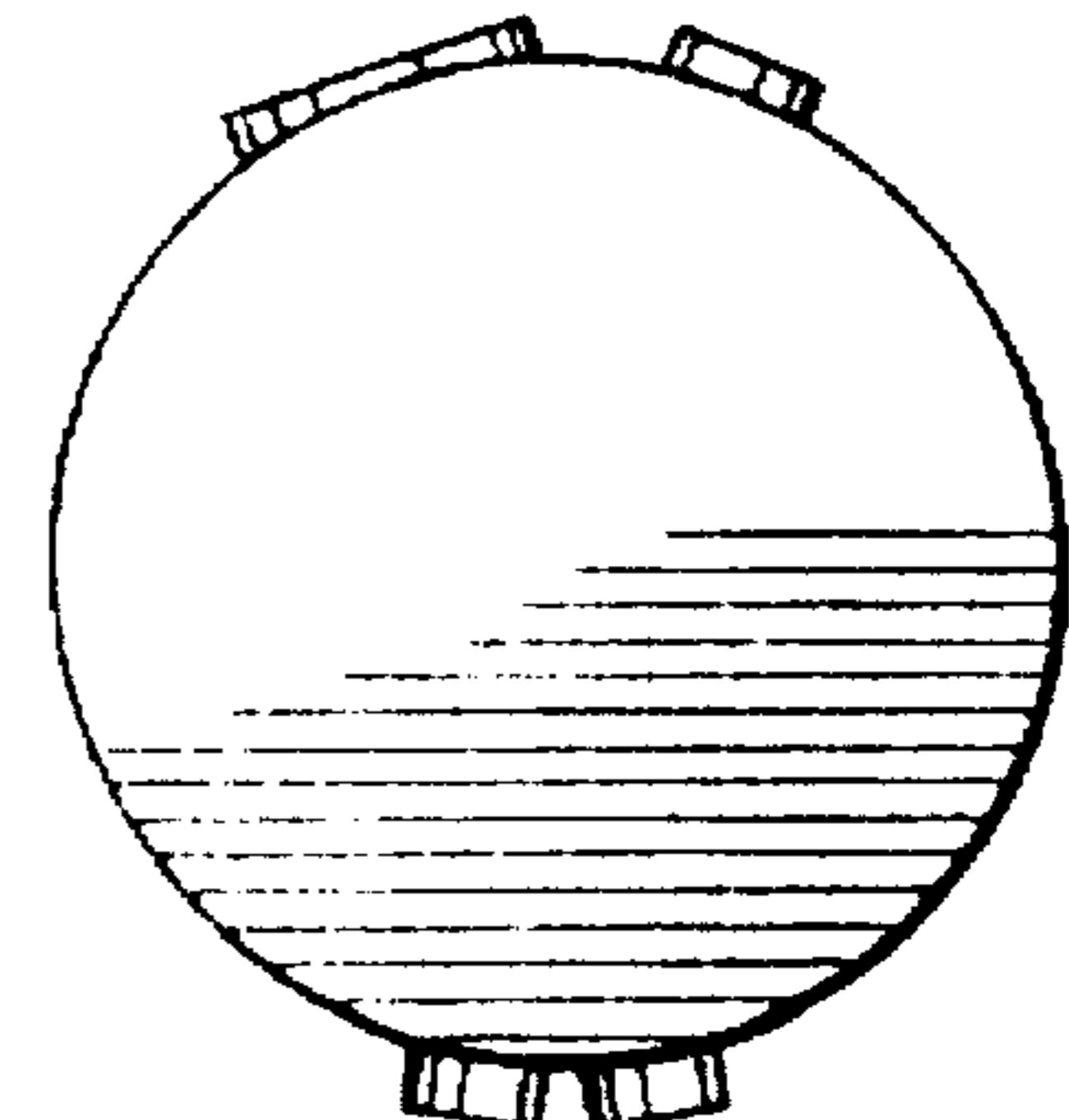


FIG. 12