



US00D408294S

United States Patent [19]
Burleson

[11] **Patent Number: Des. 408,294**
[45] **Date of Patent: **Apr. 20, 1999**

[54] **TIME AND DATE CLOCK WITH TEXT REMINDER**

D. 383,739 9/1997 Gilgen D14/113
3,759,030 9/1973 Wakabayashi D10/15 X
4,438,458 3/1984 Münscher .

[76] **Inventor: Frank Burleson, P.O. Box 165, Hurricane, Utah 84737**

Primary Examiner—Nelson C. Holtje

[**] **Term: 14 Years**

[57] **CLAIM**

The ornamental design for a time and date clock with text reminder, as shown.

[21] **Appl. No.: 29/084,574**

[22] **Filed: Mar. 5, 1998**

DESCRIPTION

[51] **LOC (6) Cl. 10-01**

[52] **U.S. Cl. D10/3; D10/2; D10/15**

[58] **Field of Search D10/1-40, 122-132; D14/113, 126; 368/280-282, 276-277, 28-30, 285, 239-242, 243-249, 82-84, 41-44**

FIG. 1 is a front elevational view of the time and date clock with text reminder of the present invention;

FIG. 2 is a back elevational view of the time and date clock with text reminder of FIG. 1;

FIG. 3 is a left side elevational view of the time and date clock with text reminder of FIG. 1;

FIG. 4 is a right side elevational view of the time and date clock with text reminder of FIG. 1;

FIG. 5 is a top plan view of the time and date clock with text reminder of FIG. 1; and,

FIG. 6 is a bottom plan view of the time and date clock with text reminder of FIG. 1.

[56] **References Cited**

U.S. PATENT DOCUMENTS

D. 348,657 7/1994 Matsuda D14/113
D. 363,227 10/1995 Sechr D10/3
D. 363,228 10/1995 Healey D10/15
D. 366,424 1/1996 Wong D10/15

1 Claim, 3 Drawing Sheets

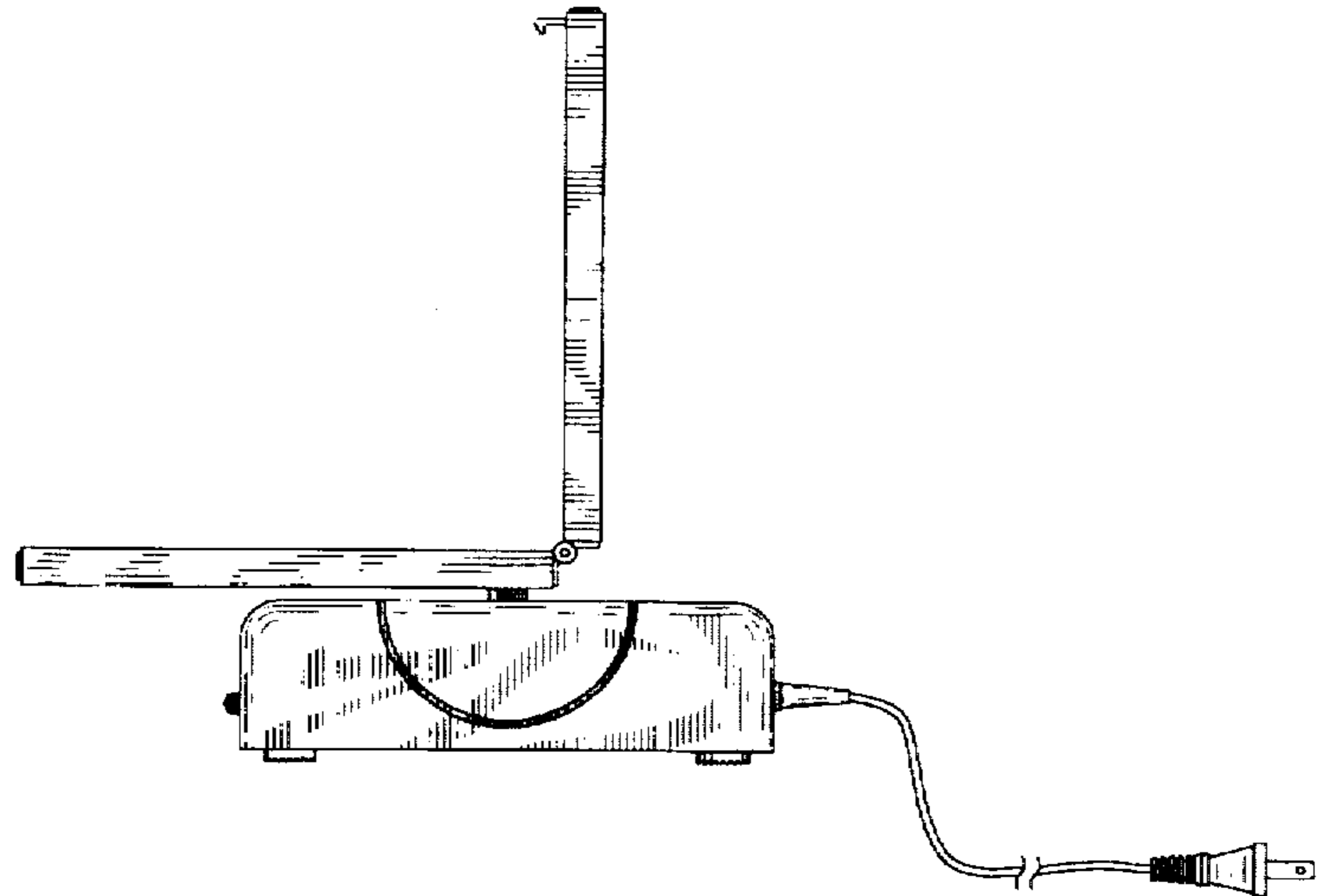
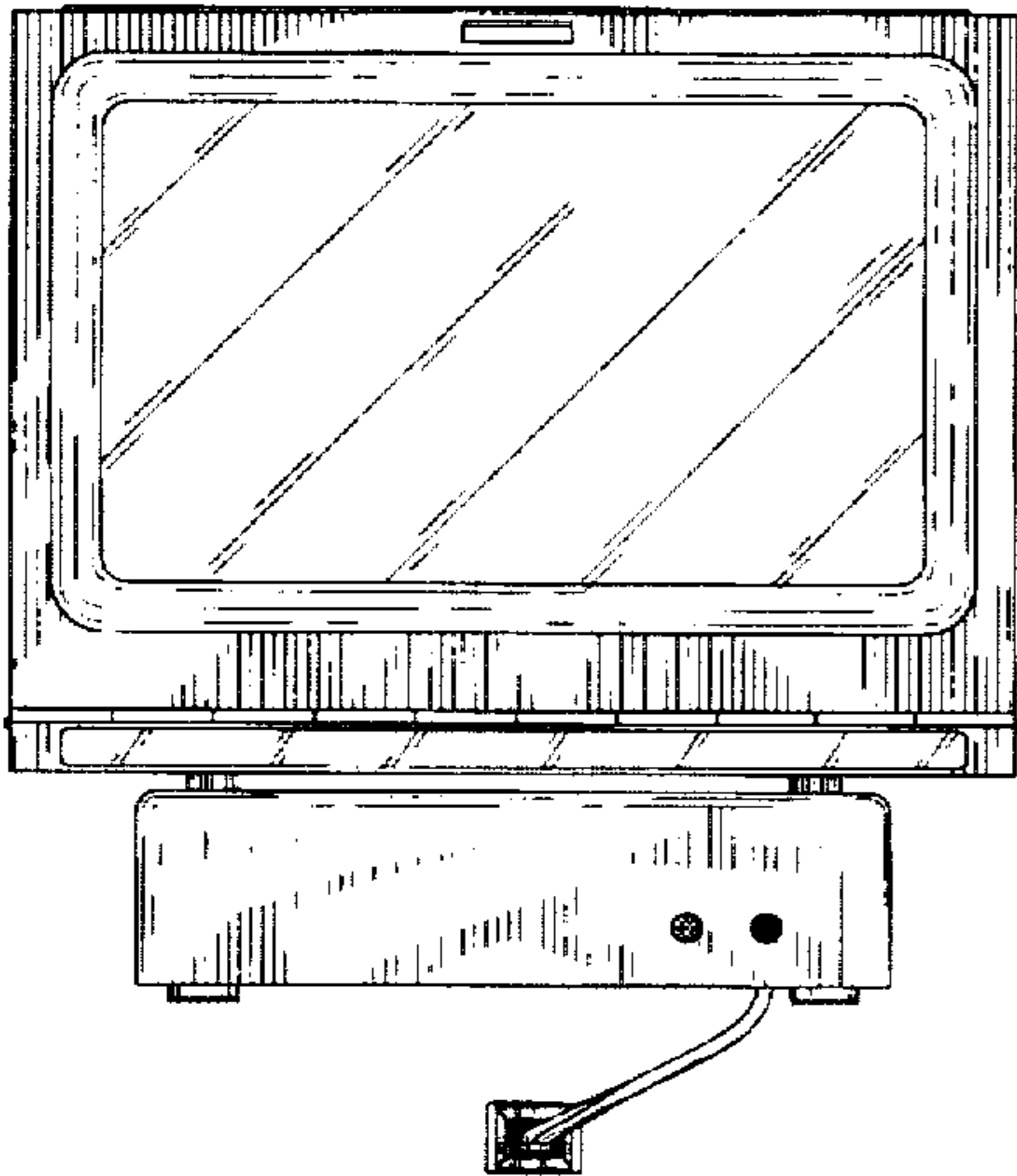


Fig. 2

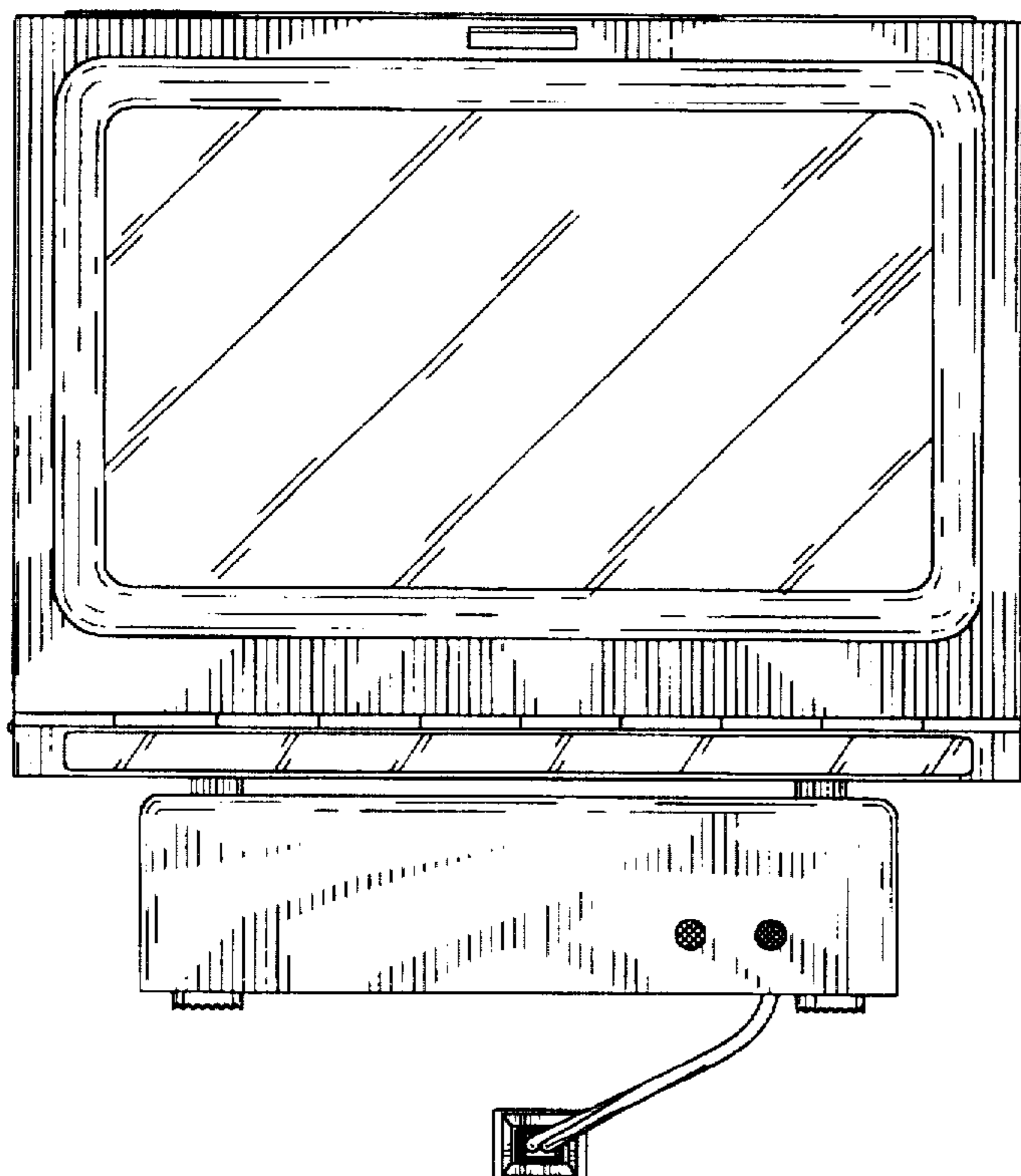
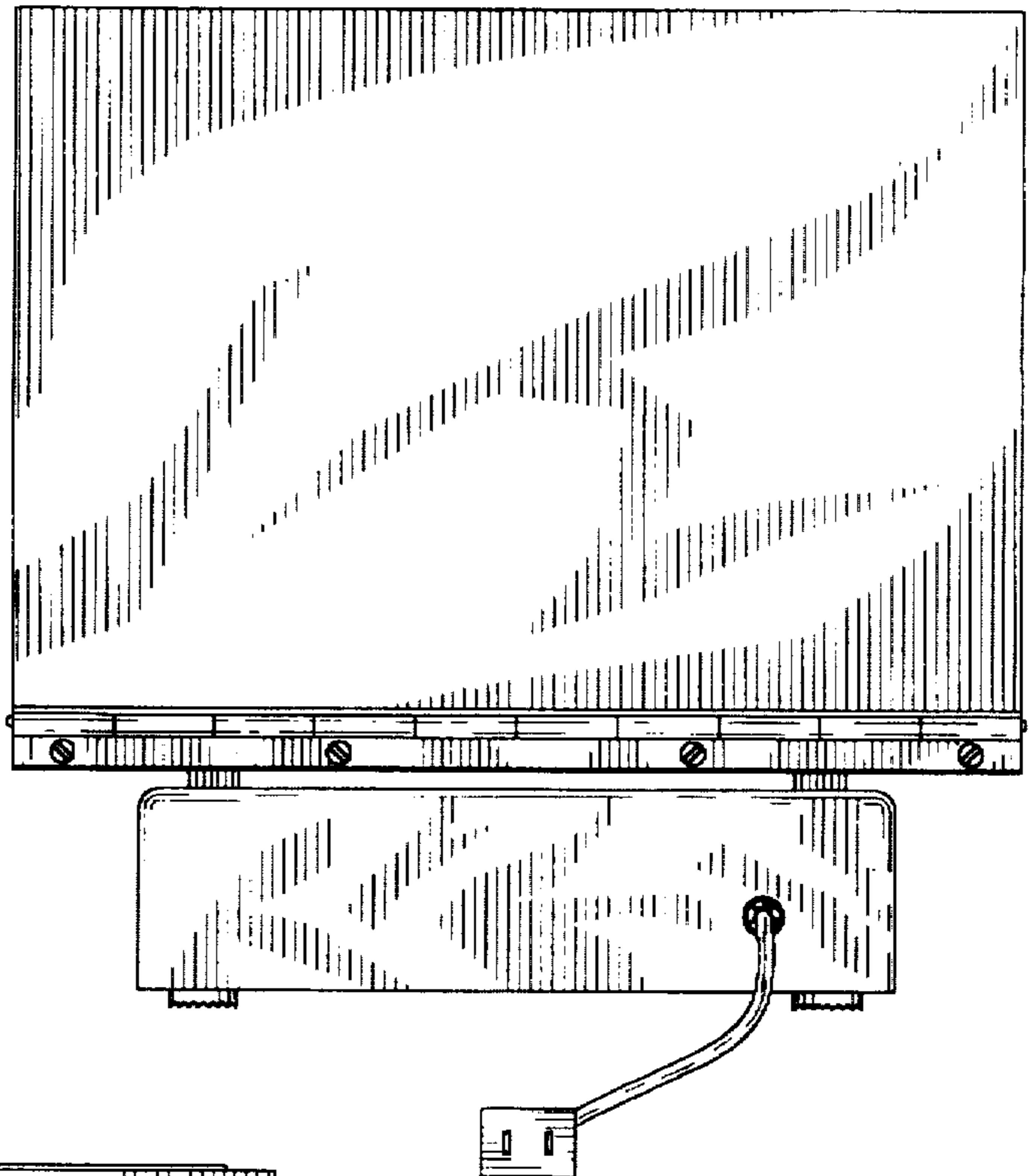


Fig. 1

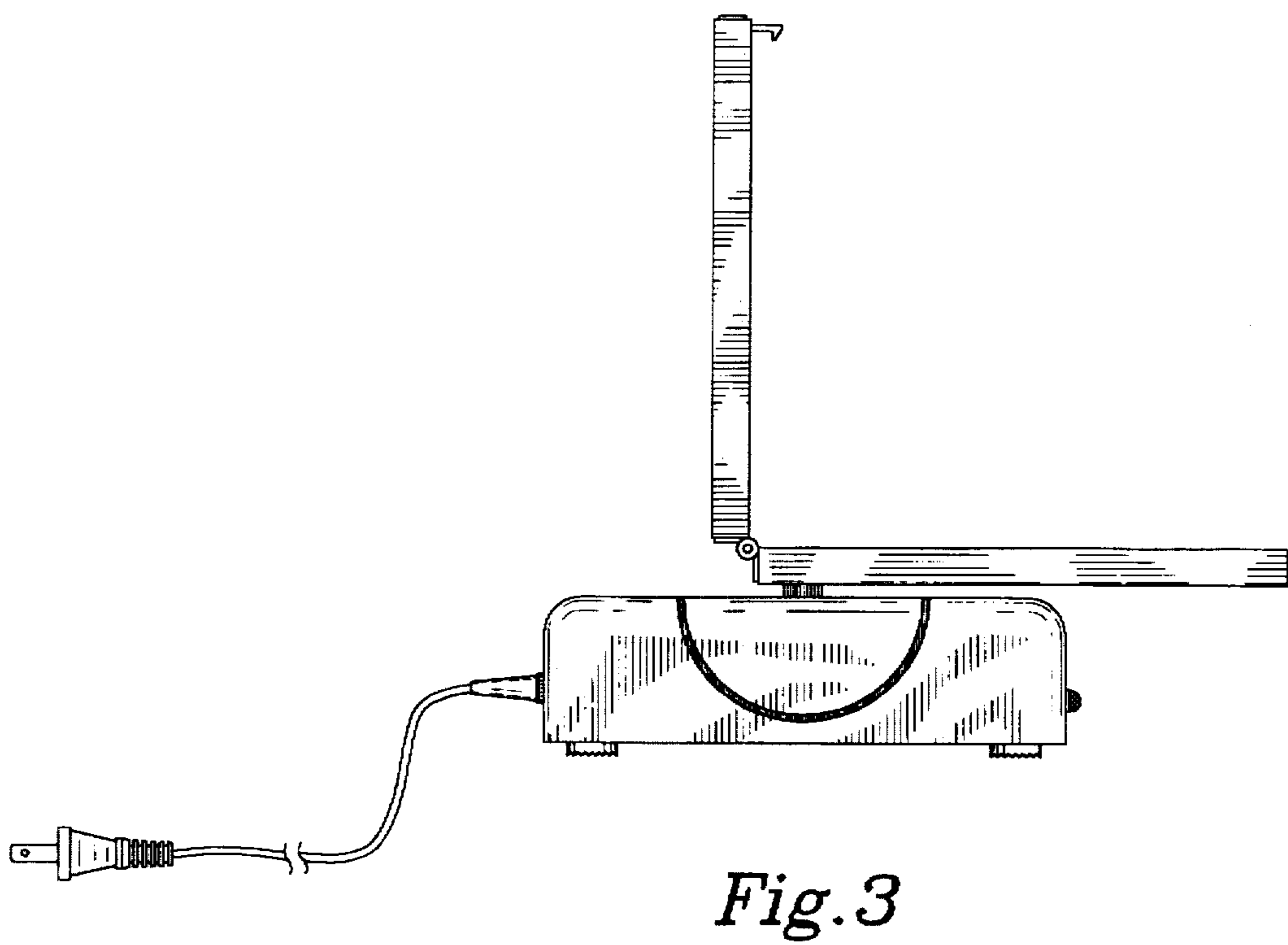
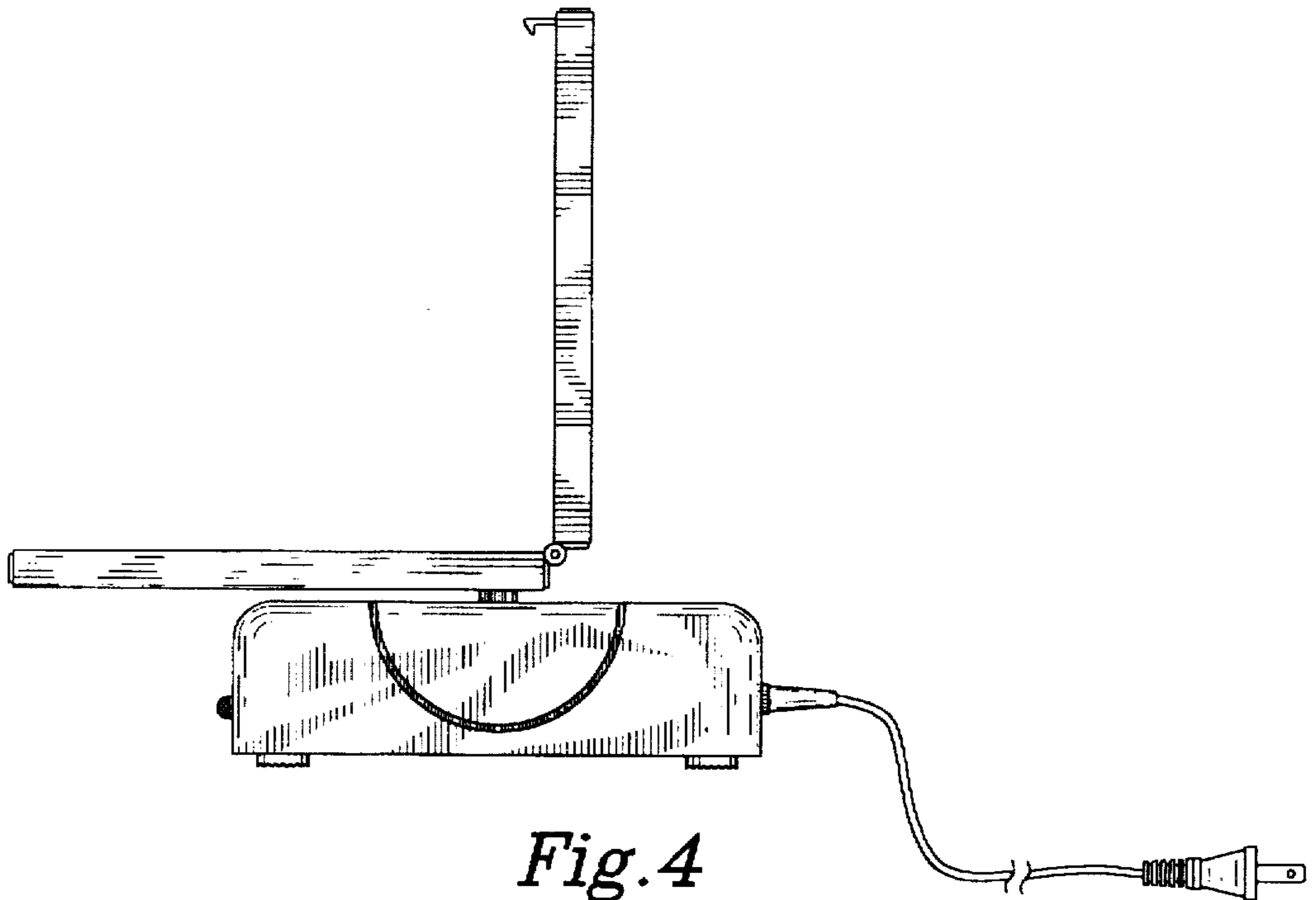


Fig.6

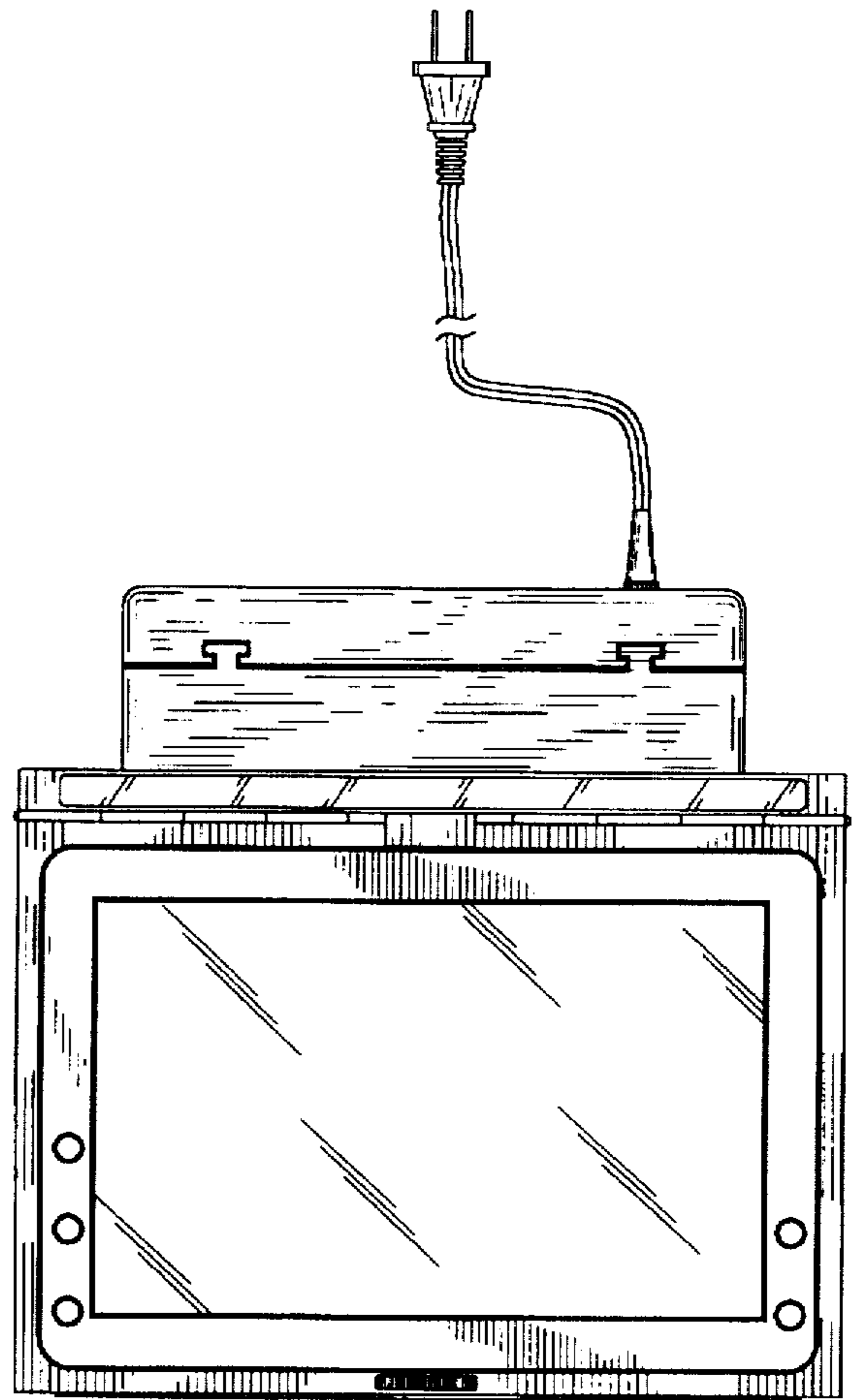
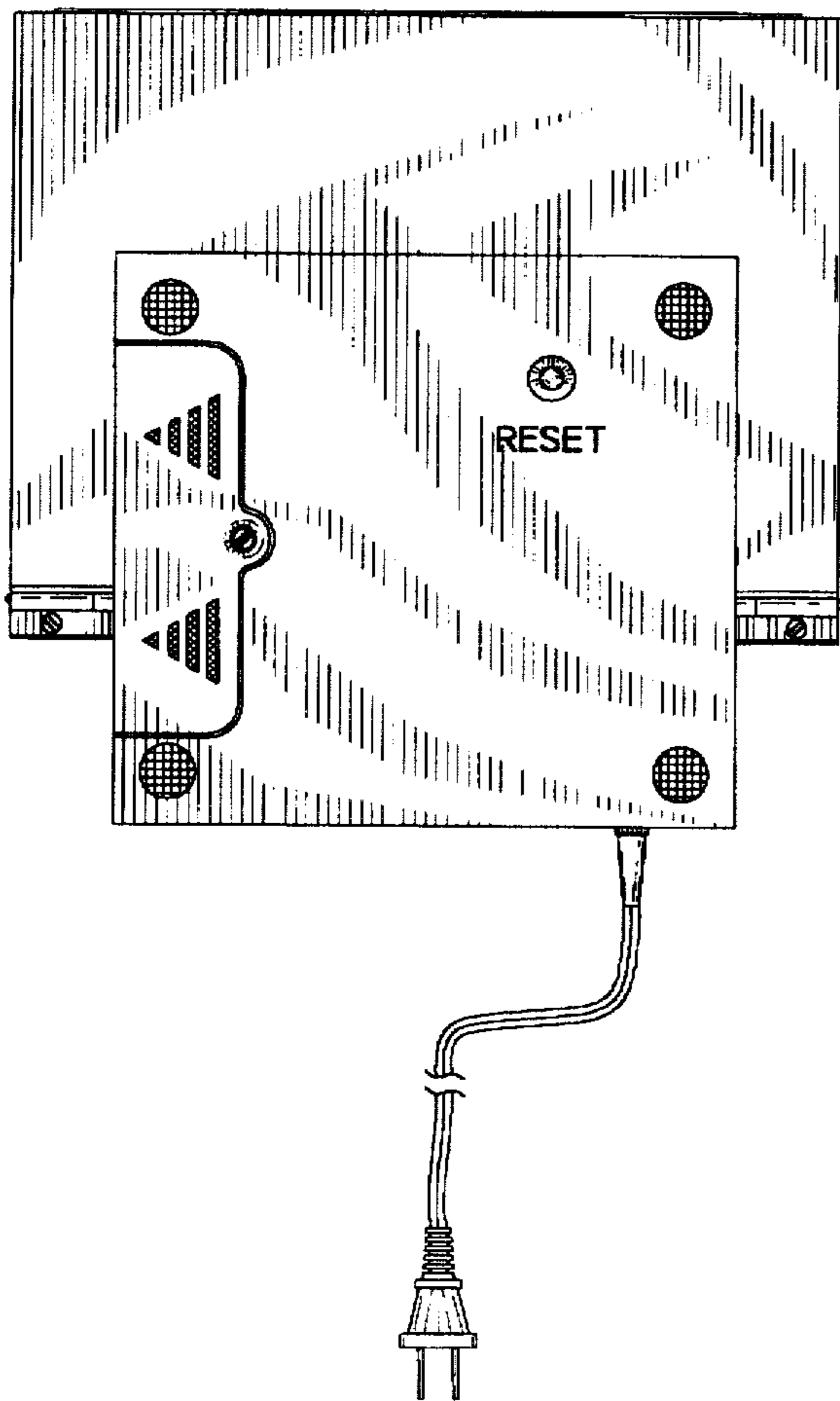


Fig.5