

US00D408287S

**United States Patent** [19]  
**Chiappero et al.**

[11] **Patent Number: Des. 408,287**  
[45] **Date of Patent: \*\*Apr. 20, 1999**

[54] **BOTTLE-LIKE CONTAINER**  
[76] **Inventors: Raoul Chiappero, Via San Maurizio 14, I-10040 Leini' (Torino); Renato Ferrera, Via Pigafetta 44, I-10129 Torino, both of Italy**

D. 276,412 11/1984 Toomey ..... D9/523  
D. 301,306 5/1989 Beaver ..... D9/523  
D. 313,935 1/1991 Miller ..... D9/572 X  
2,350,596 6/1944 Douglass ..... 222/421  
5,160,071 11/1992 Wright ..... 222/324

[\*\*] **Term: 14 Years**

*Primary Examiner*—Lucy Lieberman  
*Attorney, Agent, or Firm*—Sughrue, Mion, Zinn, Macpeak & Seas, PLLC

[21] **Appl. No.: 29/067,591**

[57] **CLAIM**

[22] **Filed: Feb. 5, 1997**

We claim the ornamental design for a bottle-like container, as shown and described.

[30] **Foreign Application Priority Data**

Aug. 5, 1996 [IT] Italy ..... T09600169

**DESCRIPTION**

[51] **LOC (6) CL. .... 09-01**  
[52] **U.S. Cl. .... D9/523; D9/543; D9/564**  
[58] **Field of Search .... D9/523, 543, 564, D9/572, 528, 547; 215/382, 383, 384, 396, 398**

FIG. 1 is a perspective view of the top, front and right side of a bottle-like container showing our new design;  
FIG. 2 is a perspective view of the top, rear and left side thereof;  
FIG. 3 is a side elevational view of the right side thereof;  
FIG. 4 is a side elevational view of the left side thereof;  
FIG. 5 is a rear elevational view thereof;  
FIG. 6 is a front elevational view thereof;  
FIG. 7 is a top plan view thereof; and,  
FIG. 8 is a bottom plan view thereof.

[56] **References Cited**

**U.S. PATENT DOCUMENTS**

D. 190,056 4/1961 Diamond ..... D9/564 X  
D. 218,281 8/1970 Diener ..... D9/523  
D. 247,158 2/1978 Evangelista et al. .... D9/572 X

**1 Claim, 4 Drawing Sheets**

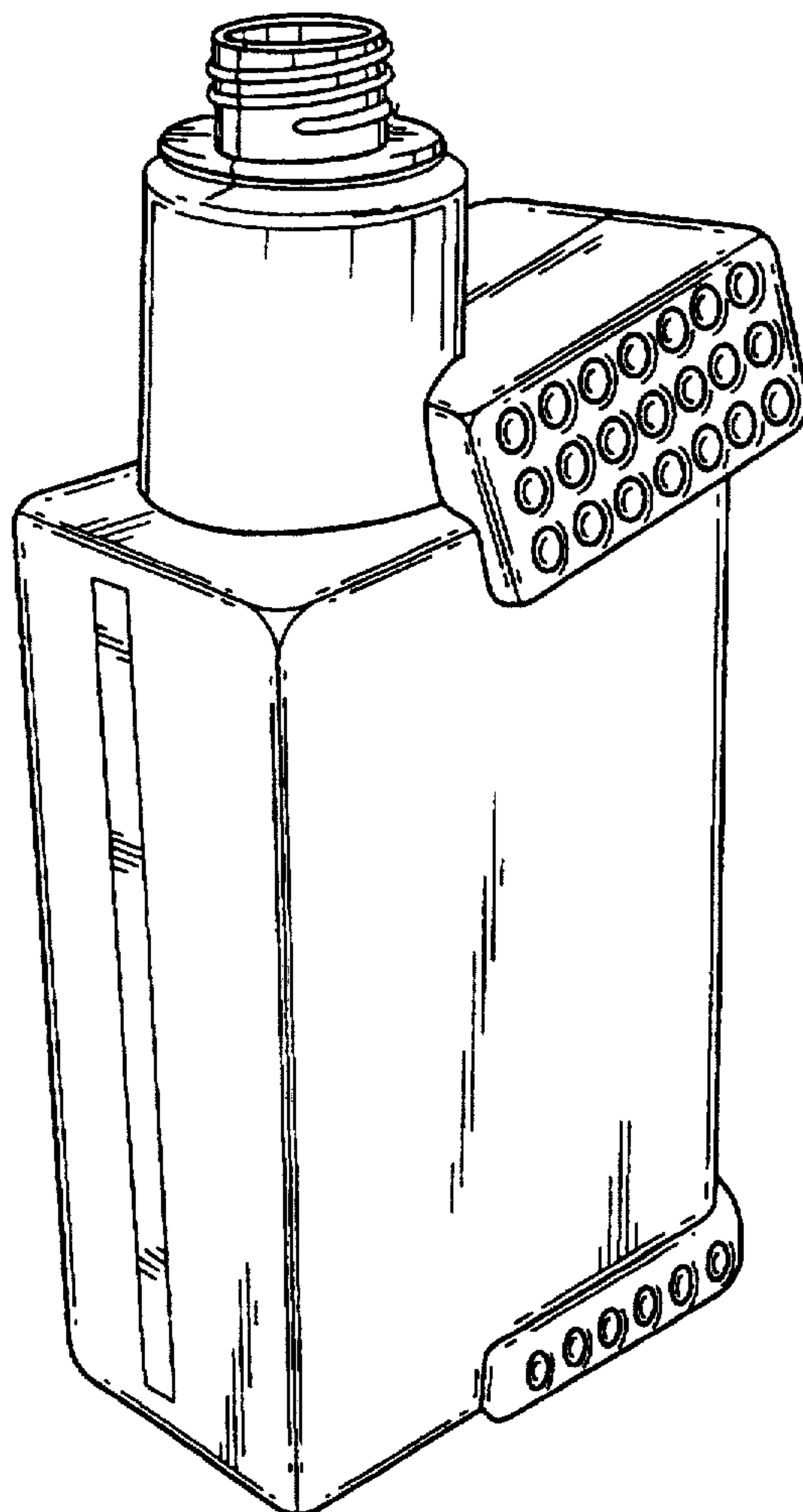


FIG. 2

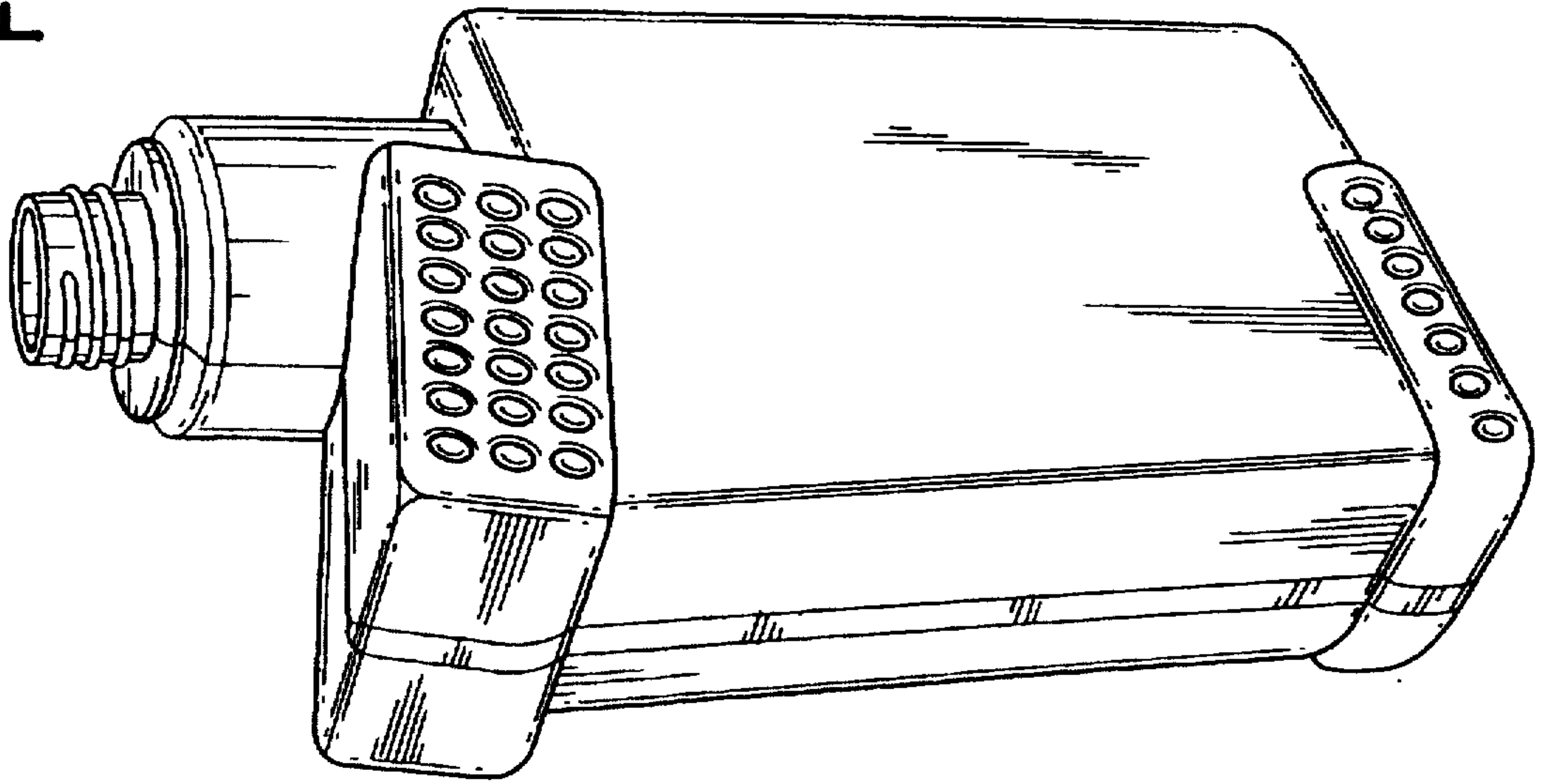


FIG. 1

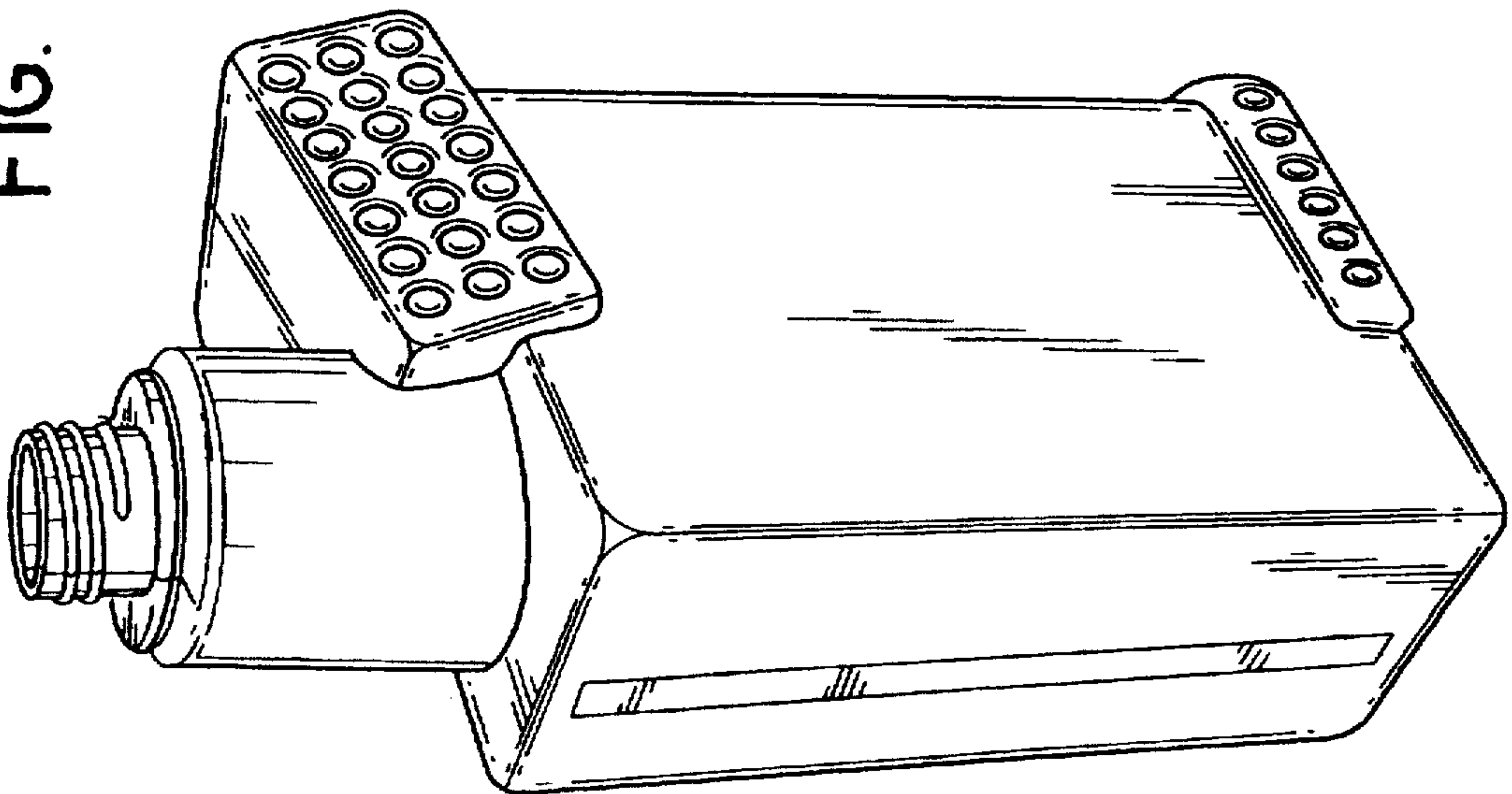


FIG. 4

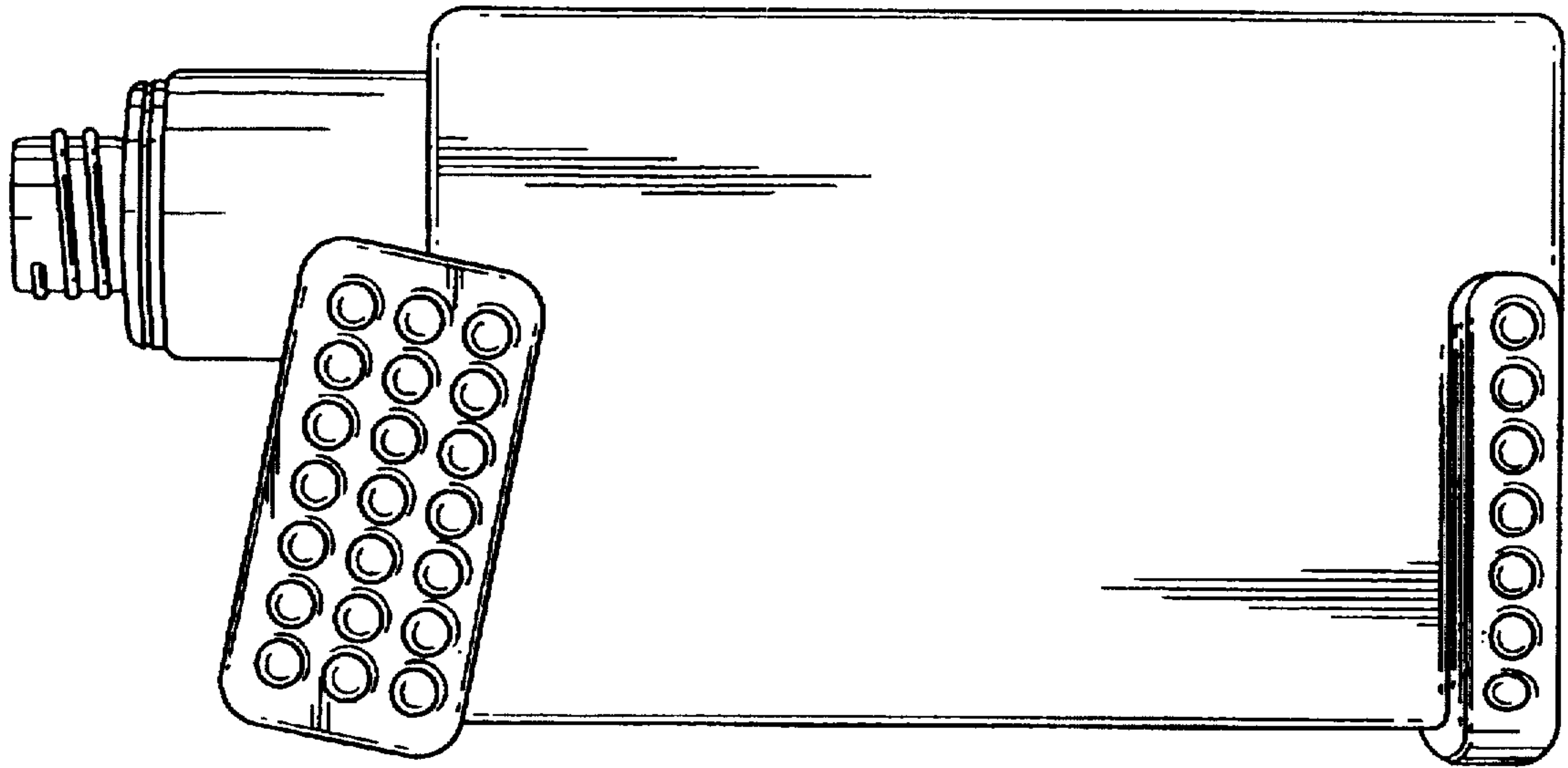
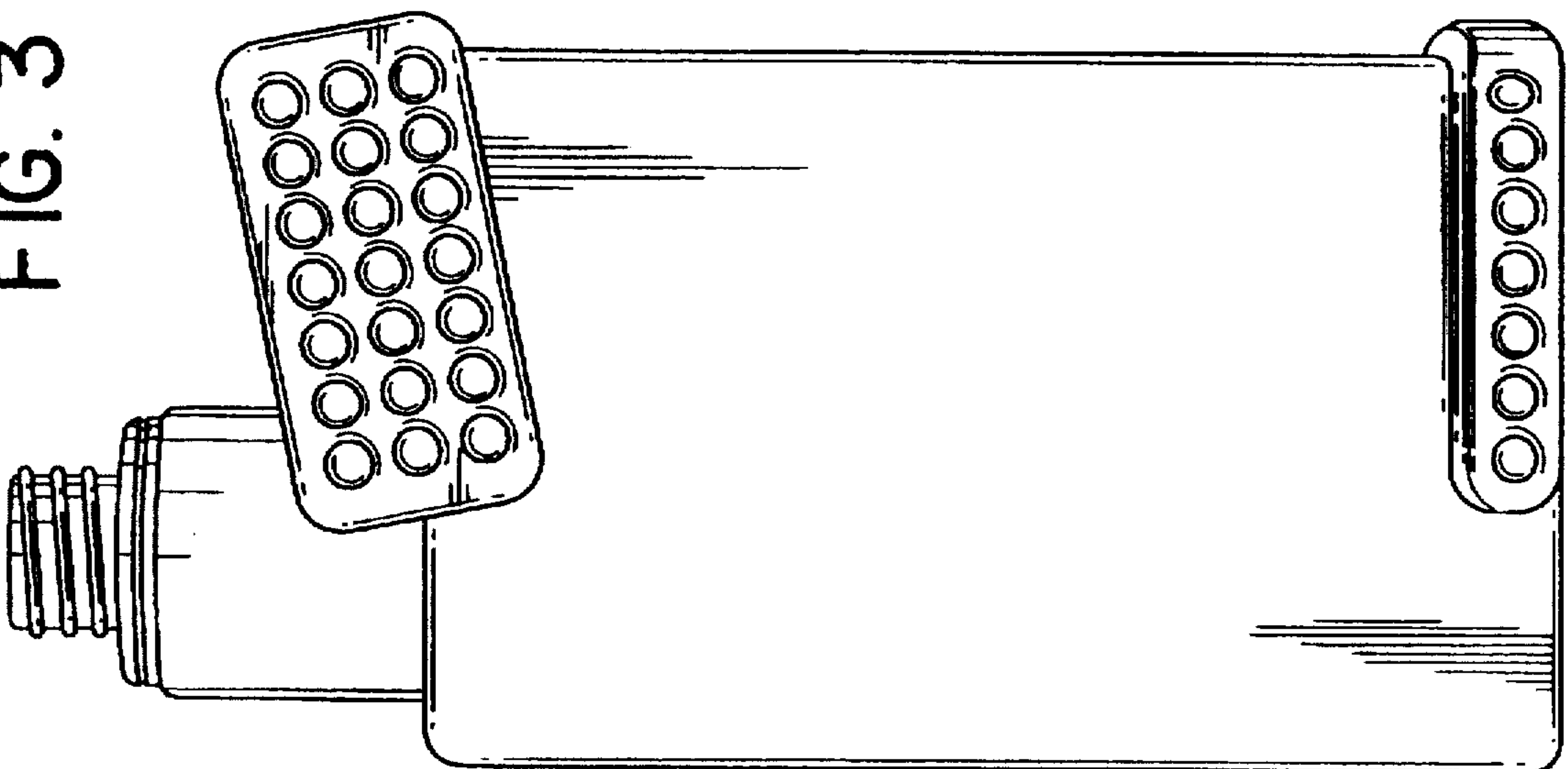


FIG. 3



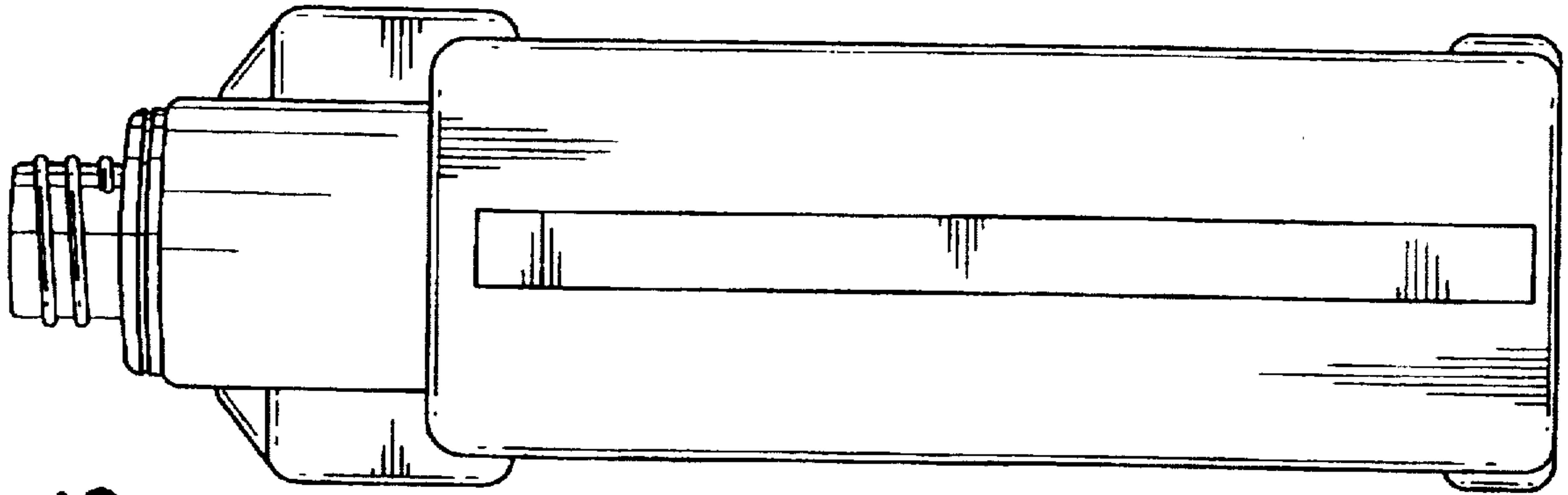


FIG. 6

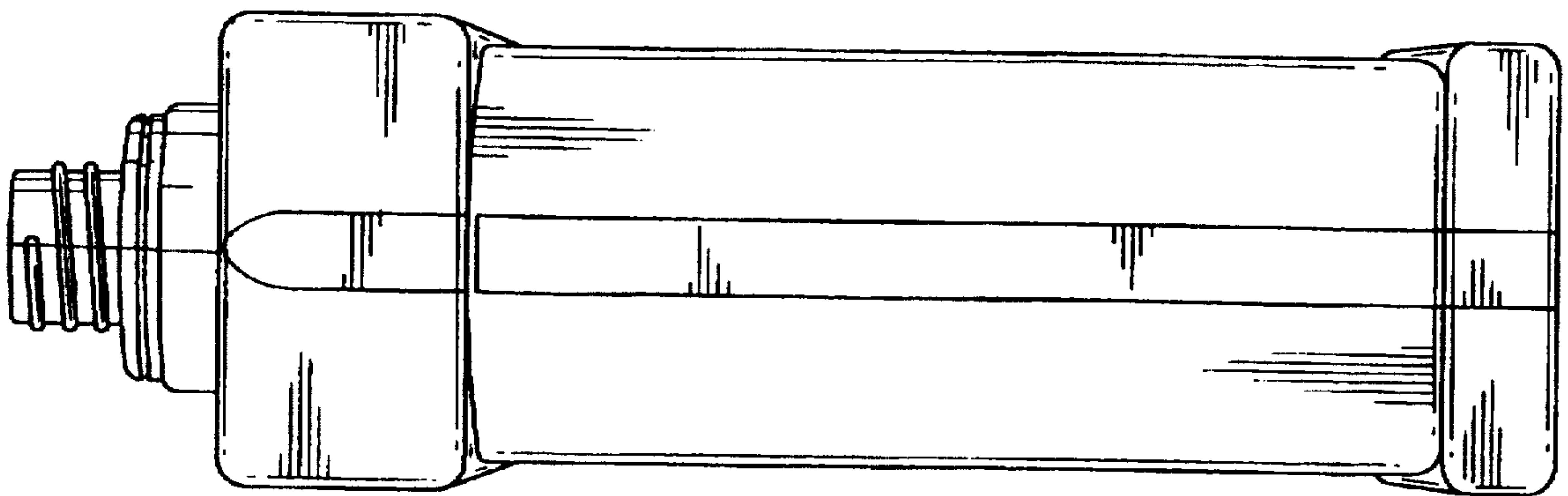


FIG. 5

FIG. 7

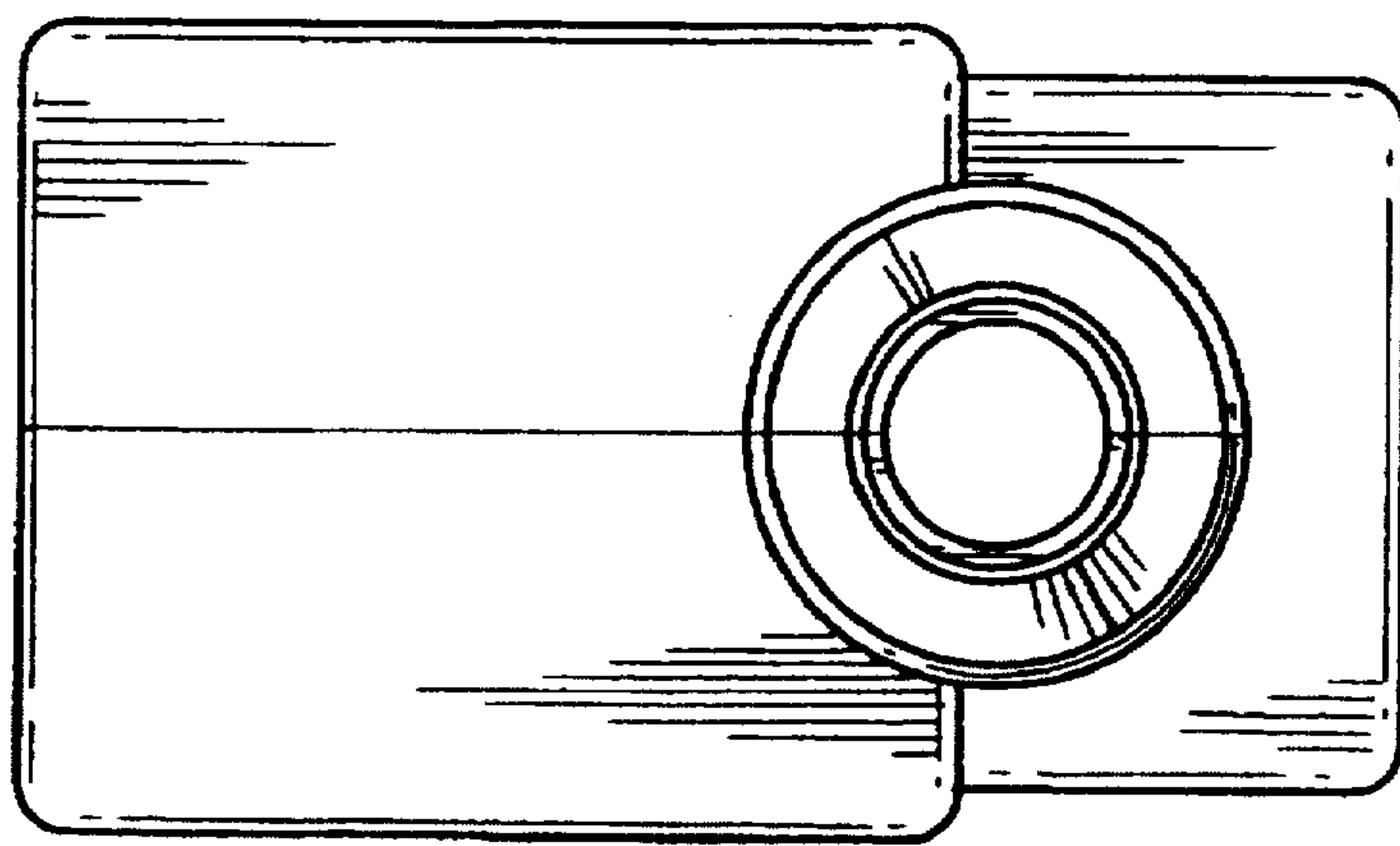


FIG. 8

