



US00D408284S

United States Patent [19]

[11] Patent Number: Des. 408,284

Ekkert et al.

[45] Date of Patent: **Apr. 20, 1999

[54] CLOSURE

[75] Inventors: Len Ekkert, Lemont; Carl T. Eiten, Byron, both of Ill.

[73] Assignee: Dean Foods Company, Franklin Park, Ill.

[**] Term: 14 Years

- D. 233,138 10/1974 Vogel .
- D. 250,467 12/1978 O'Banion .
- D. 253,289 10/1979 Kato .
- D. 279,596 7/1985 Rademacher .
- D. 290,323 6/1987 Weernink .
- D. 337,697 7/1993 Giugiaro .
- D. 369,748 5/1996 Zemlo et al. .
- D. 370,631 6/1996 Zemlo et al. .
- D. 371,074 6/1996 Zemlo et al. .
- 4,568,006 2/1986 Mueller et al. 222/541.1 X

[21] Appl. No.: 29/080,343

[22] Filed: Dec. 2, 1997

[51] LOC (6) Cl. 09-07

[52] U.S. Cl. D9/453

[58] Field of Search D9/435, 443, 452, D9/453, 454, 503, 504, 505, 529, 545; D7/629; D8/312; 215/252, 253, 254, 256, 355, 356, 295; 220/276

Primary Examiner—Doris V. Coles
Assistant Examiner—Cathron B. Matta
Attorney, Agent, or Firm—Welsh & Katz, Ltd.

[57] CLAIM

The ornamental design for a closure, as shown and described.

DESCRIPTION

FIG. 1 is a perspective view of the closure of subject invention.

FIG. 2 is a front view of the closure of FIG. 1 with the opposite side being the mirror image thereof.

FIG. 3 is a right side view of the closure of FIG. 1, the opposite side being a mirror image thereof.

FIG. 4 is a top view of the closure of FIG. 1; and, FIG. 5 is a bottom view of the closure of FIG. 1.

The broken line elements shown in the interior of the closures are for illustrative purposes only and form no part of the claimed design.

[56] References Cited

U.S. PATENT DOCUMENTS

- D. 30,766 5/1899 Lindemeyr D9/453
- D. 34,169 3/1901 Bertels .
- D. 44,163 6/1913 Baxter et al. D9/529
- D. 49,120 5/1916 Hoffman .
- D. 59,597 11/1921 Hyatt .
- D. 112,464 12/1938 Lewis D9/503
- D. 145,011 6/1946 Derham .
- D. 153,956 5/1949 Lay .
- D. 155,298 9/1949 LaFalce .
- D. 160,448 10/1950 Waite .
- D. 202,827 11/1965 Elkner D9/453

1 Claim, 1 Drawing Sheet

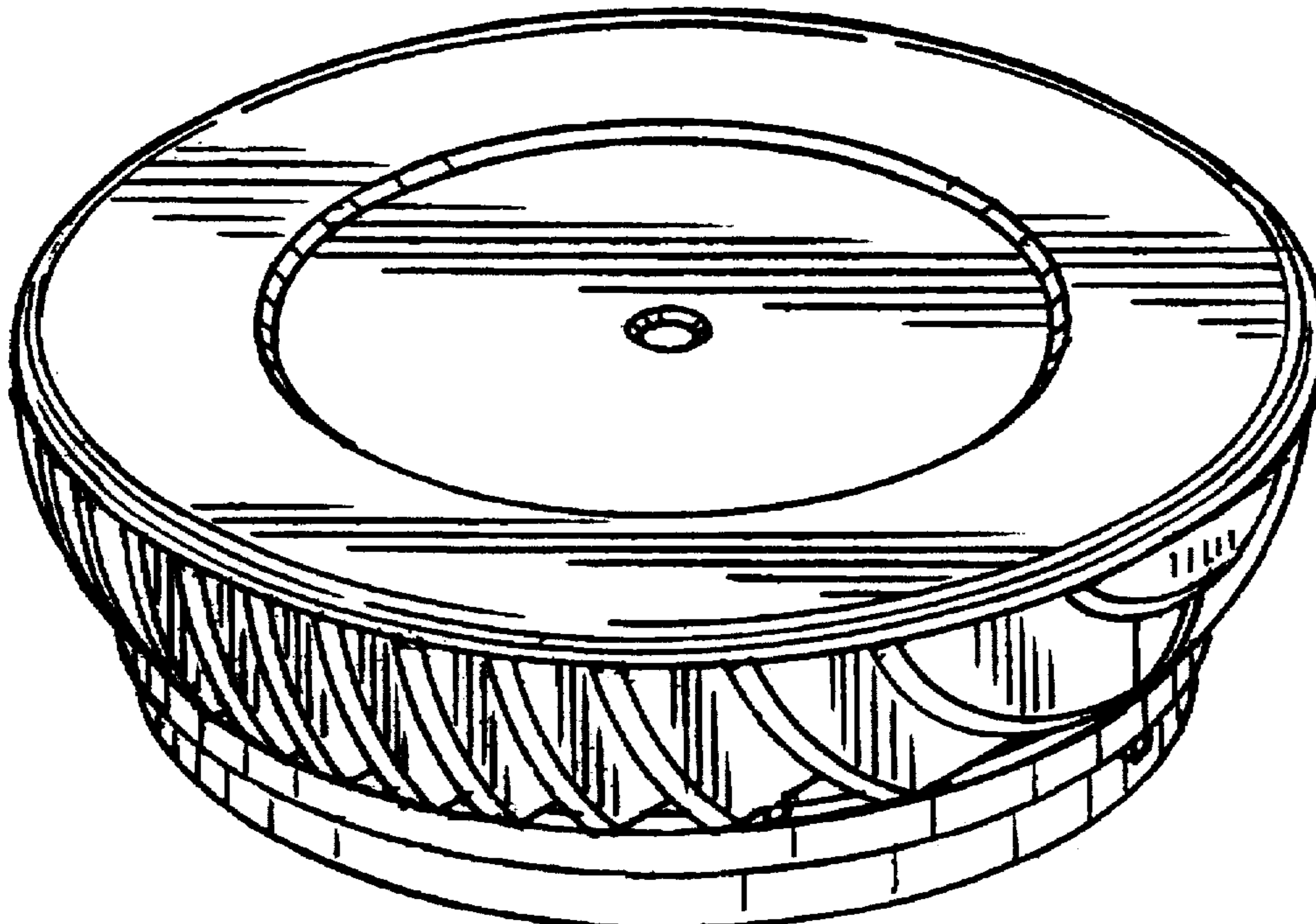


FIG.1

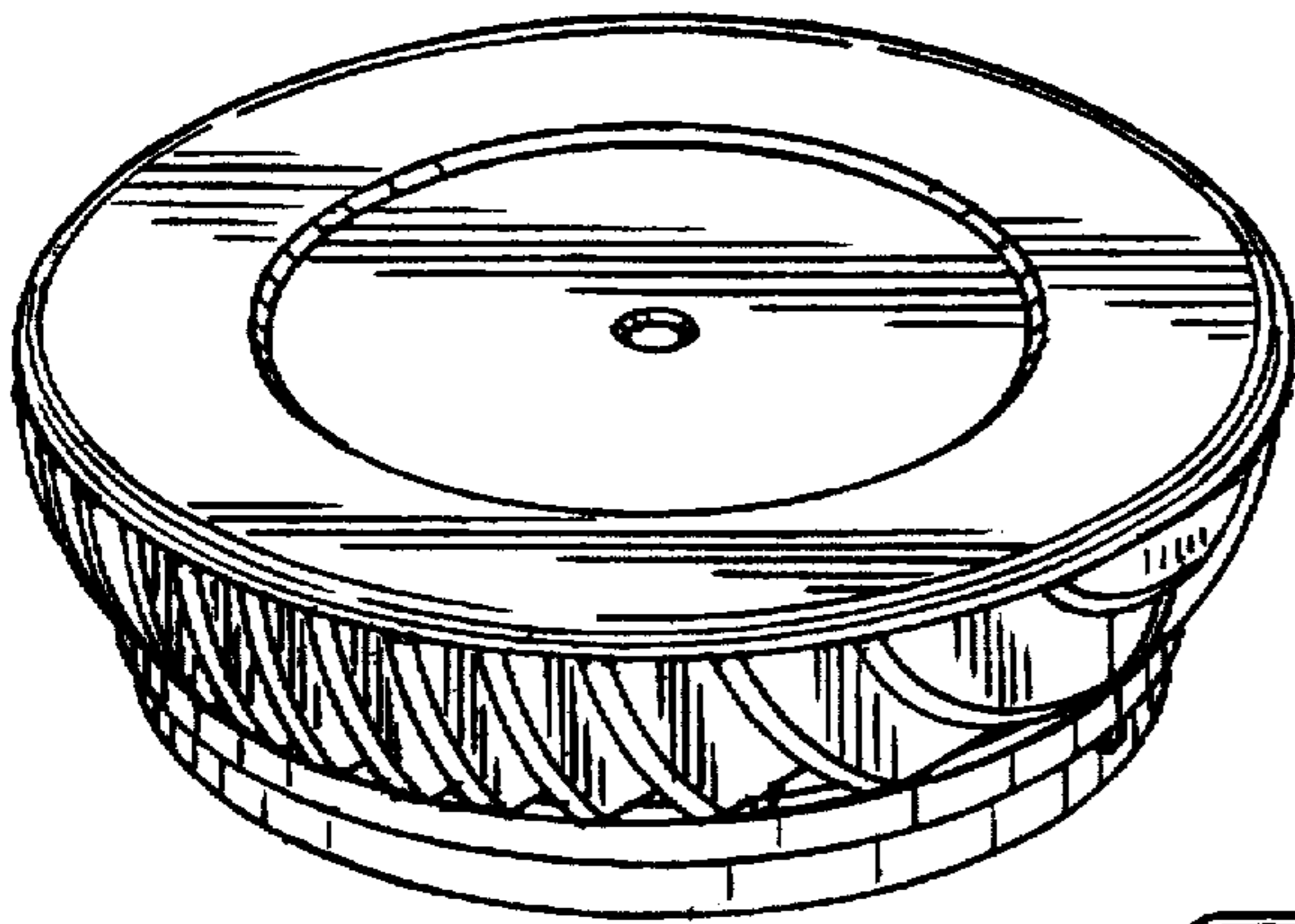


FIG.2



FIG.3

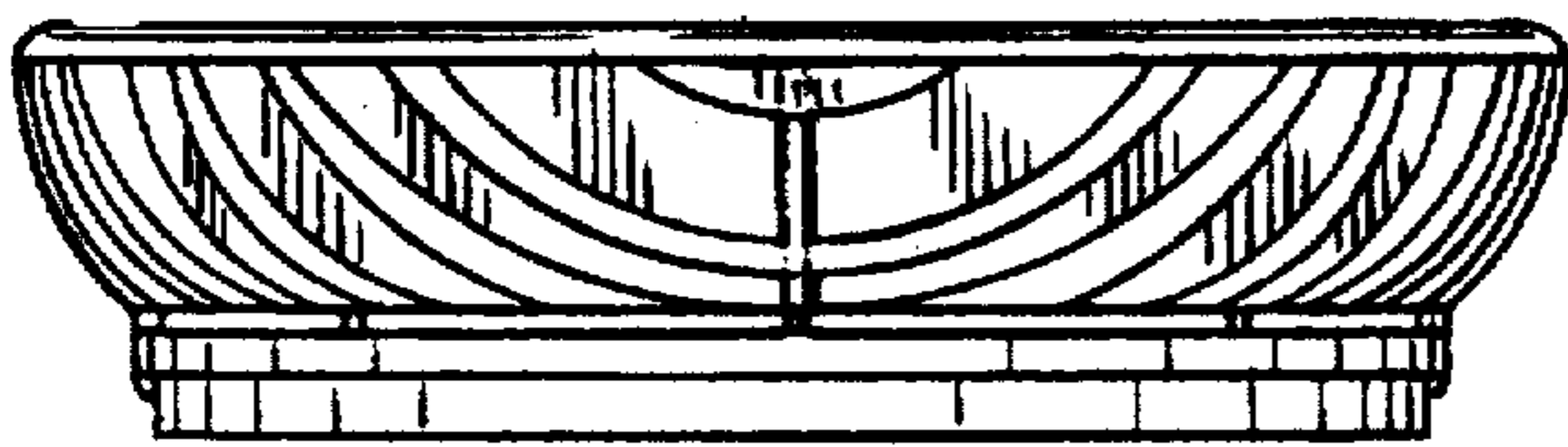


FIG.4

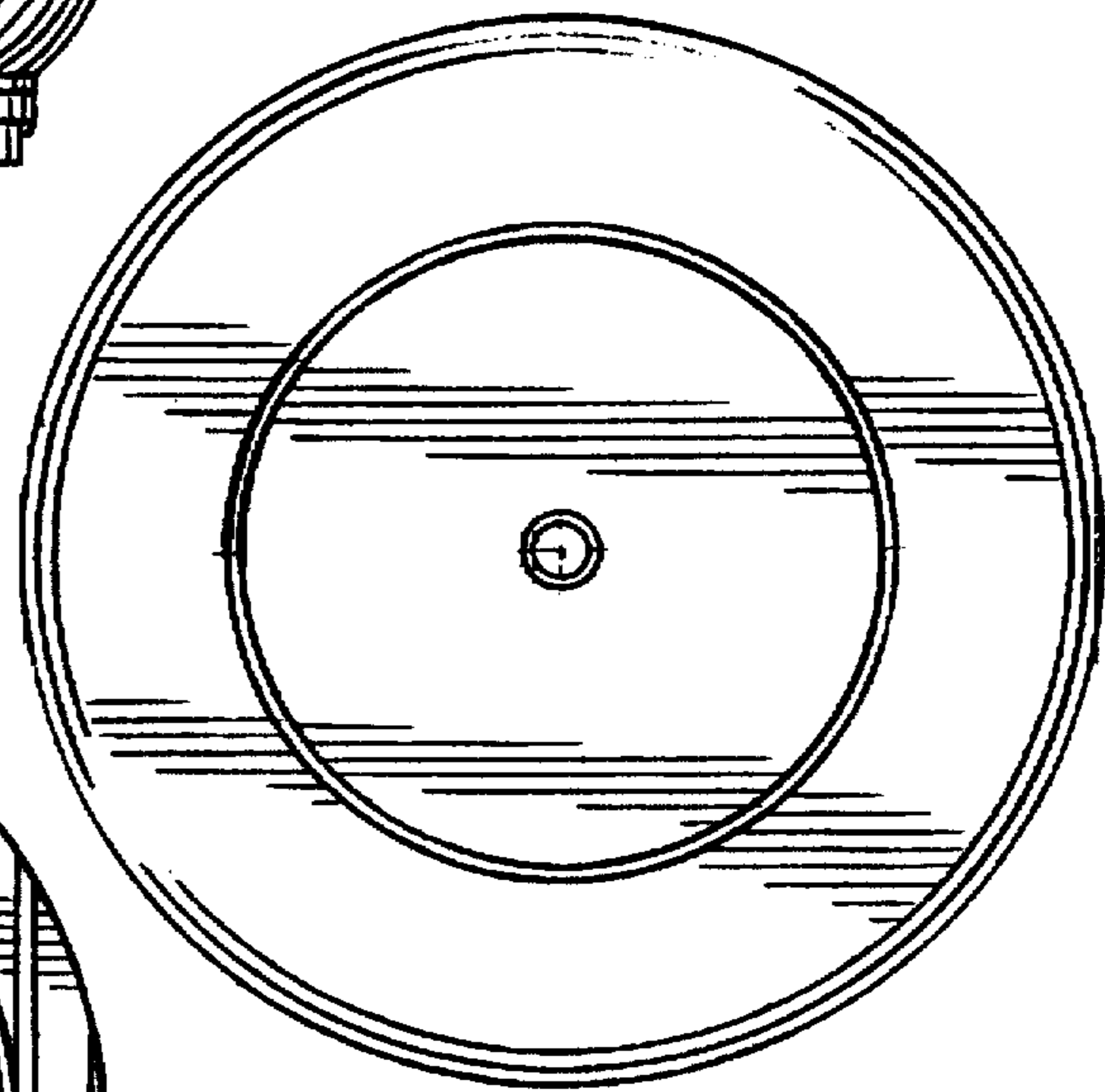


FIG.5

