



US00D408281S

United States Patent [19]
Chen

[11] **Patent Number: Des. 408,281**

[45] **Date of Patent: **Apr. 20, 1999**

[54] **TOOL BOX**

[76] **Inventor: Kun Chen Chen, 6, Lane 609, Sec. 1, Chungshan Road, Tachia Chen, Taichung Hsien, Taiwan**

[**] **Term: 14 Years**

[21] **Appl. No.: 29/084,435**

[22] **Filed: Mar. 3, 1998**

[51] **LOC (6) CL 09-07**

[52] **U.S. Cl. D9/415**

[58] **Field of Search D9/415, 418, 414, D9/337, 341; 206/461-471, 495, 806, 372-379, 349, 206, 207; D8/71; D6/400**

[56] **References Cited**

U.S. PATENT DOCUMENTS

D. 334,534	4/1993	Friz et al.	D9/415
D. 341,777	11/1993	Sheu	D9/415
D. 344,233	2/1994	Peters	D9/415
D. 365,022	12/1995	Wada	D9/415
D. 370,626	6/1996	Pass et al.	D9/415
D. 383,386	9/1997	Laubach	D9/415

D. 394,806	6/1998	Budert	D9/415
2,071,978	2/1937	Hines	206/353
5,148,914	9/1992	Budert et al.	206/379 X
5,520,285	5/1996	Mursch et al.	206/379 X

Primary Examiner—Prabhakar Deshmukh
Attorney, Agent, or Firm—Bacon & Thomas, PLLC

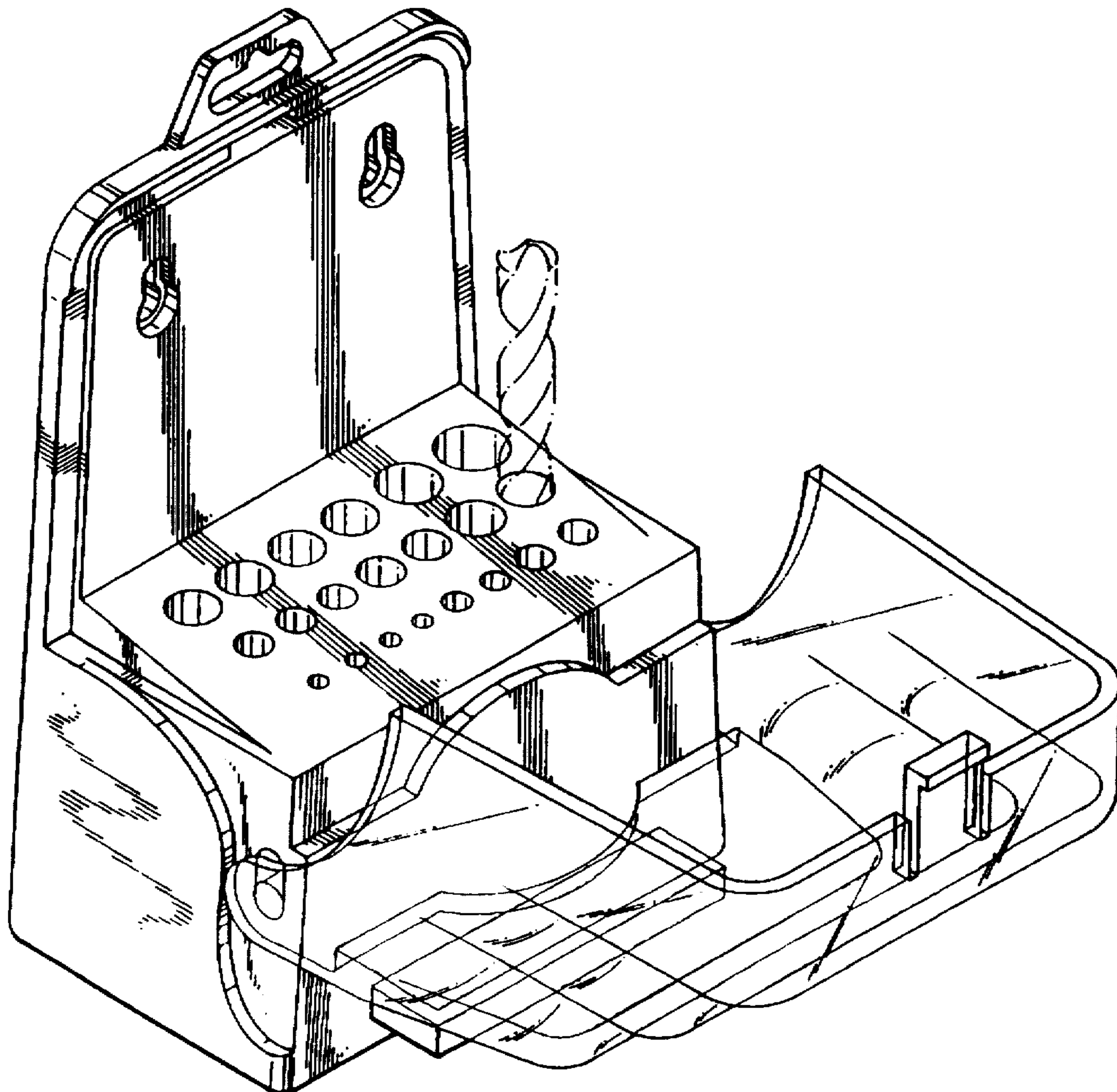
[57] **CLAIM**

The ornamental design for a tool box, as shown and described.

DESCRIPTION

FIG. 1 is a perspective view of a tool box showing my new design;
FIG. 2 is a front elevational view thereof;
FIG. 3 is a rear elevational view thereof;
FIG. 4 is a left side elevational view thereof;
FIG. 5 is a right side elevational view thereof;
FIG. 6 is a top plan view thereof;
FIG. 7 is a bottom plan view thereof; and,
FIG. 8 is a perspective view thereof, with the cover in an open position; the broken line showing of a drill bit is for illustrative purposes only and forms no part of the claim.

1 Claim, 4 Drawing Sheets



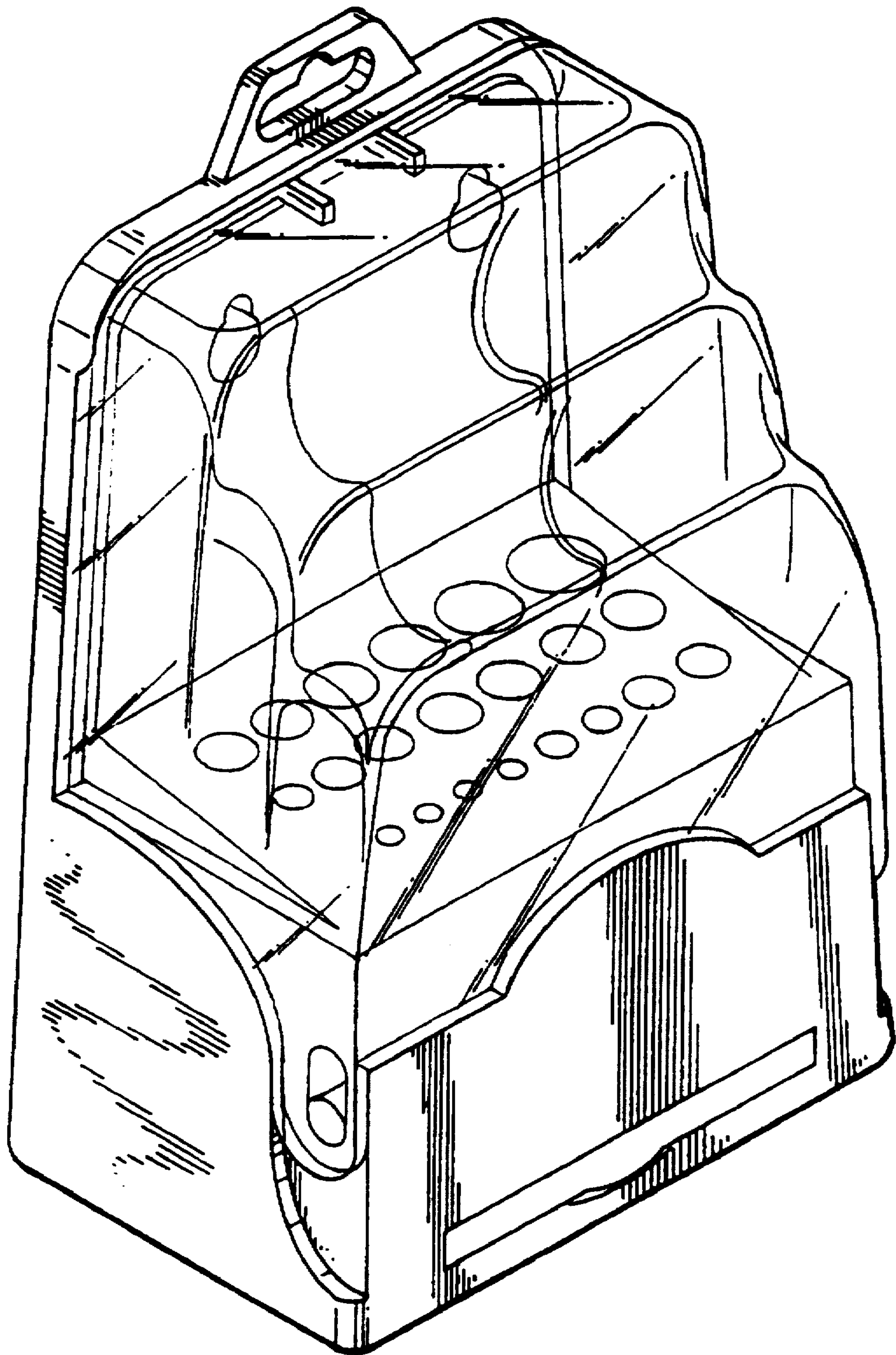


FIG. 1

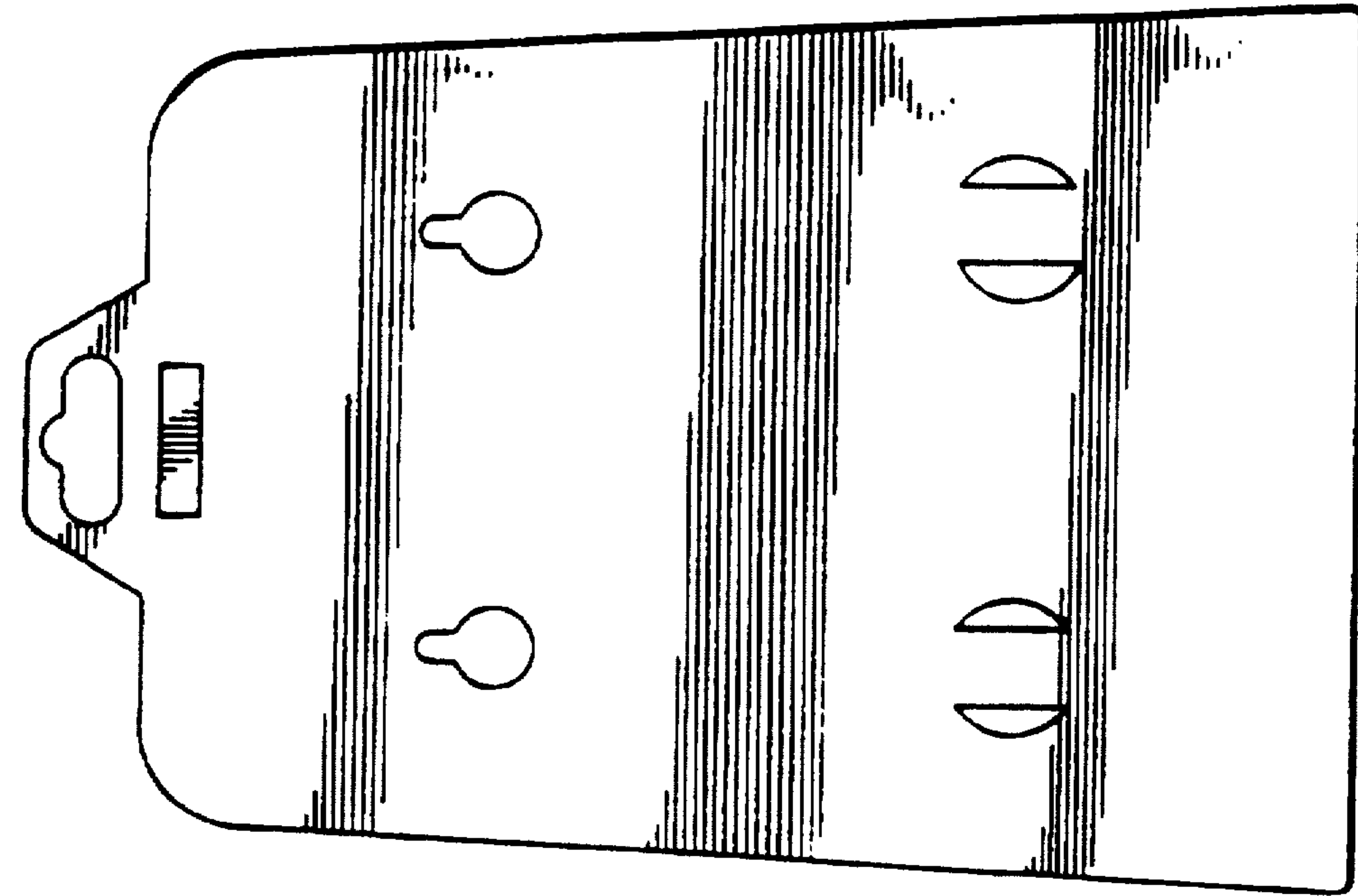


FIG. 3

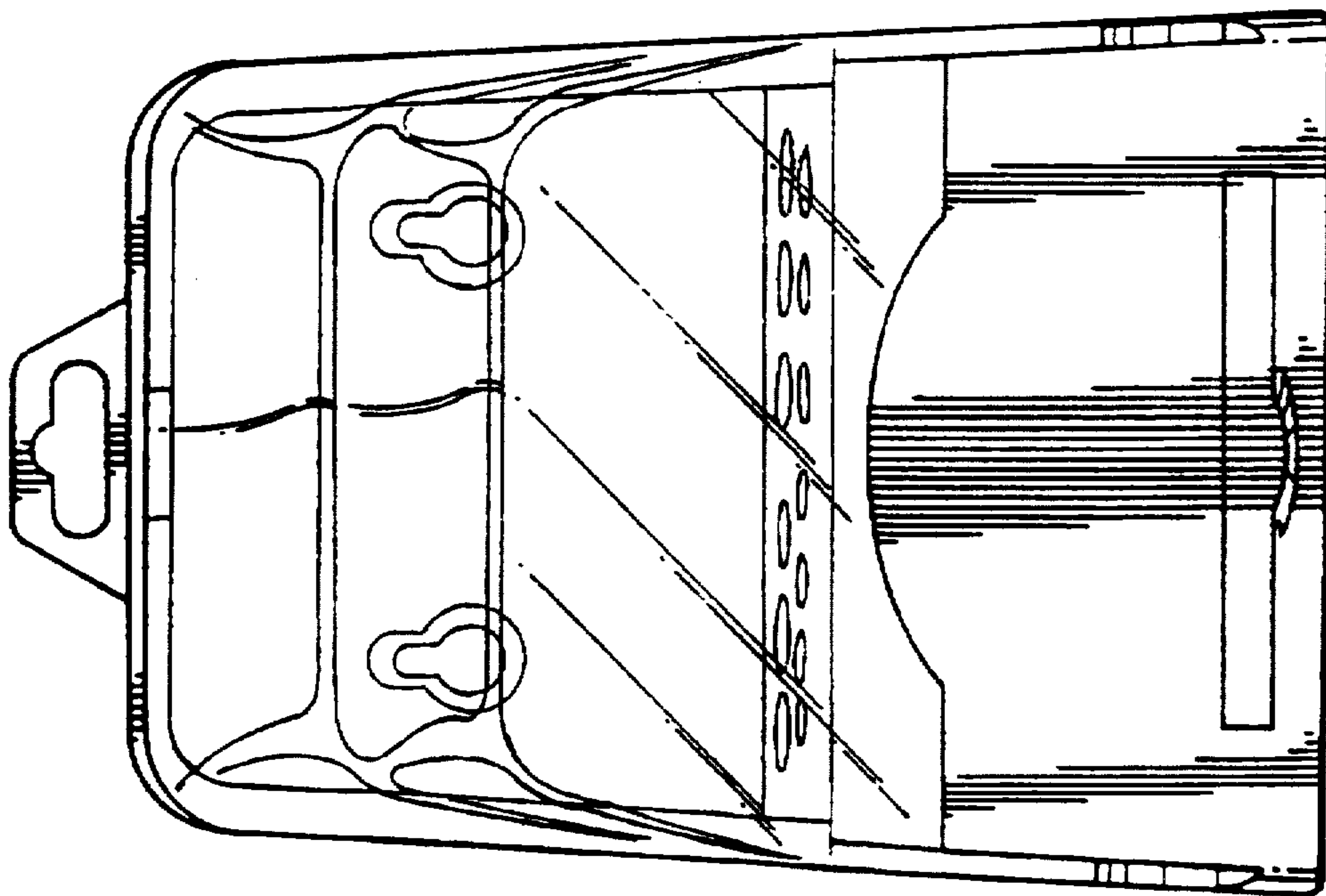


FIG. 2

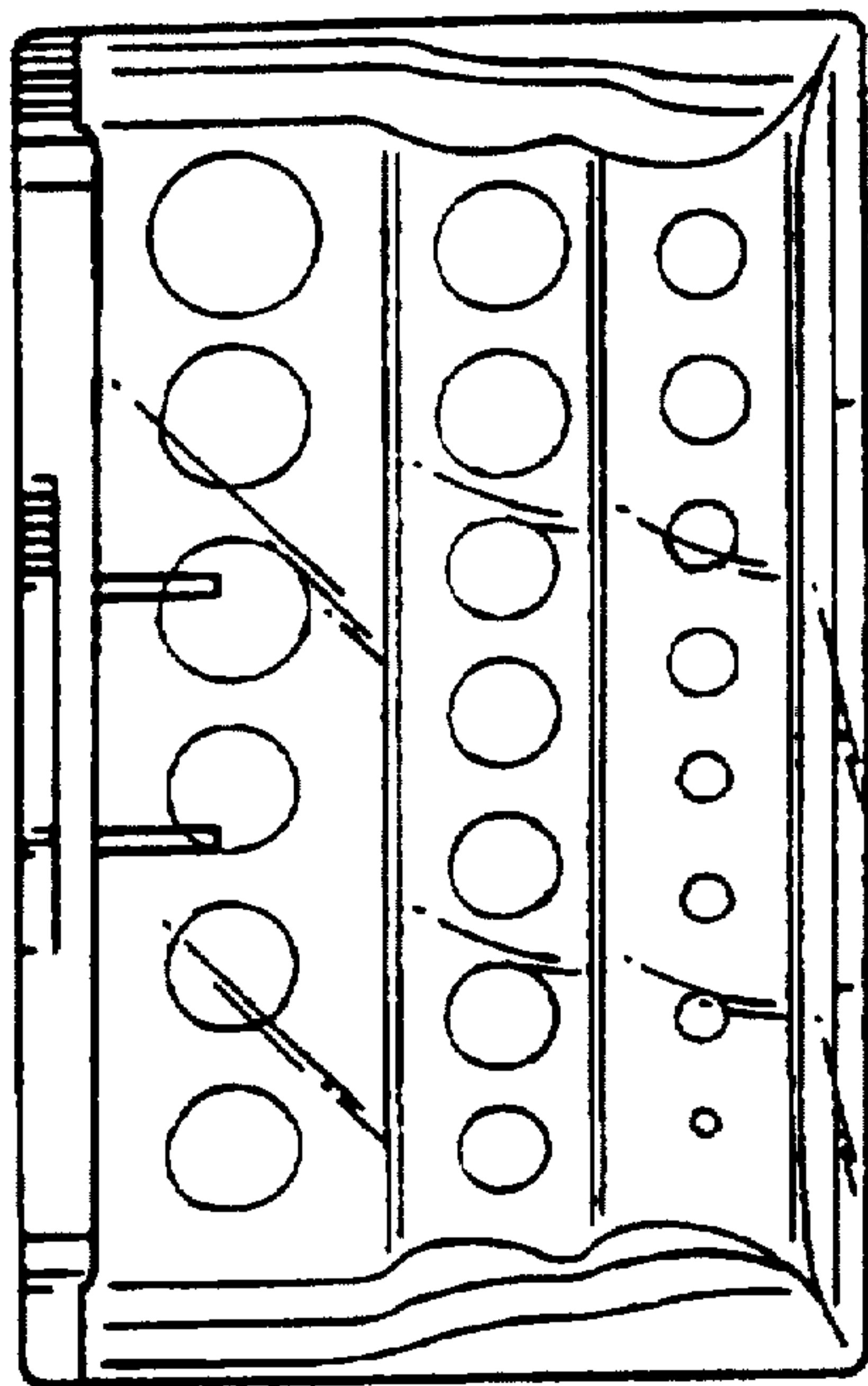


FIG. 6

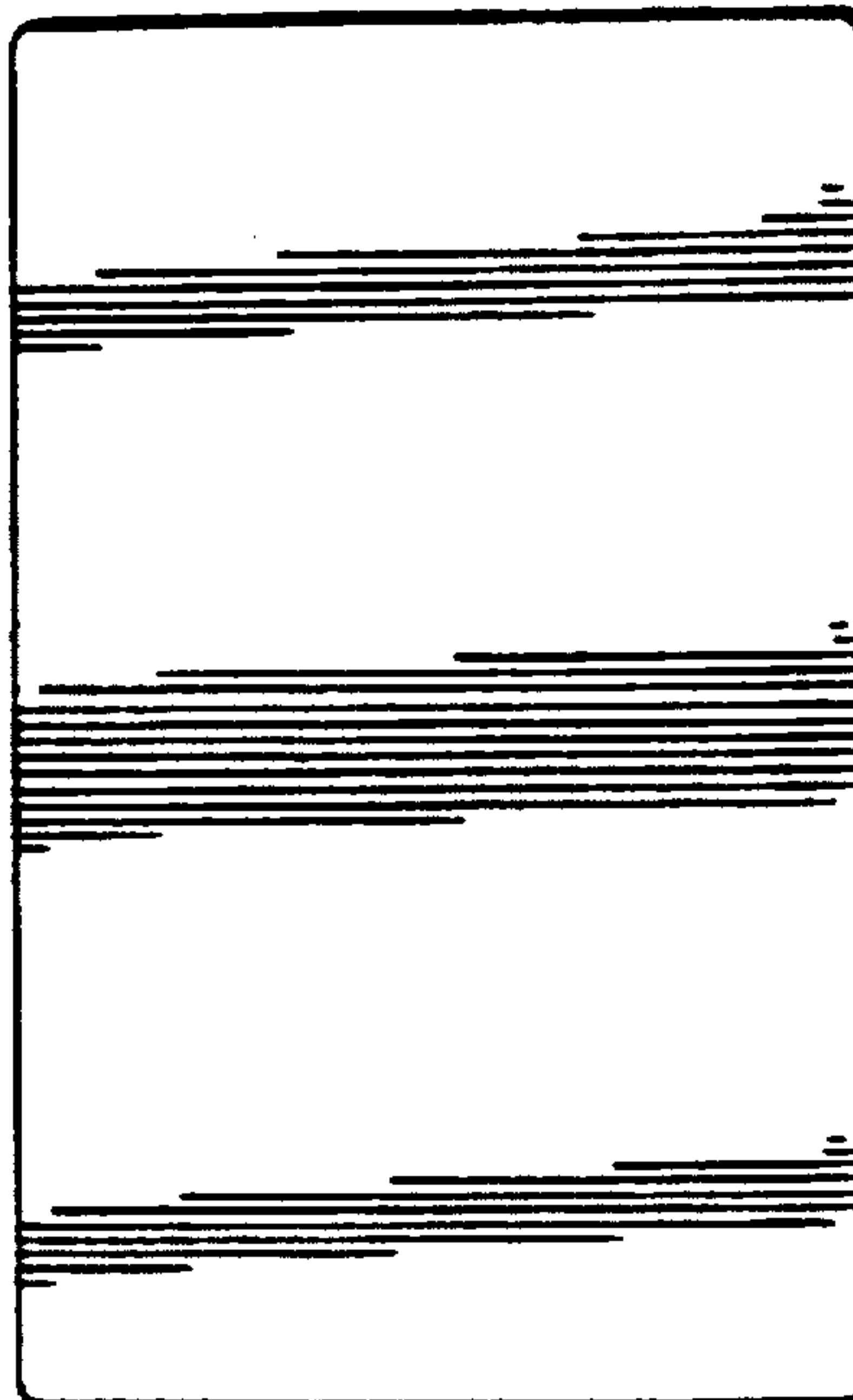


FIG. 7

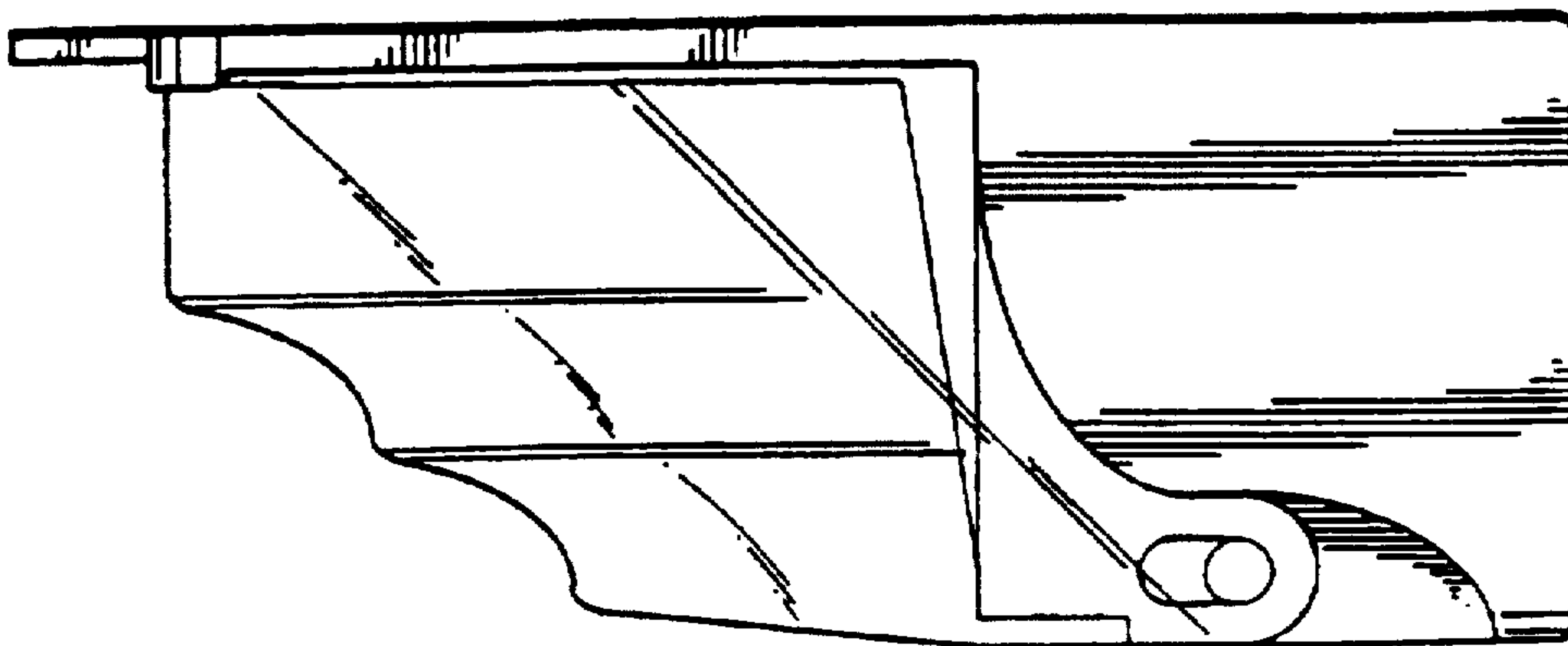


FIG. 5

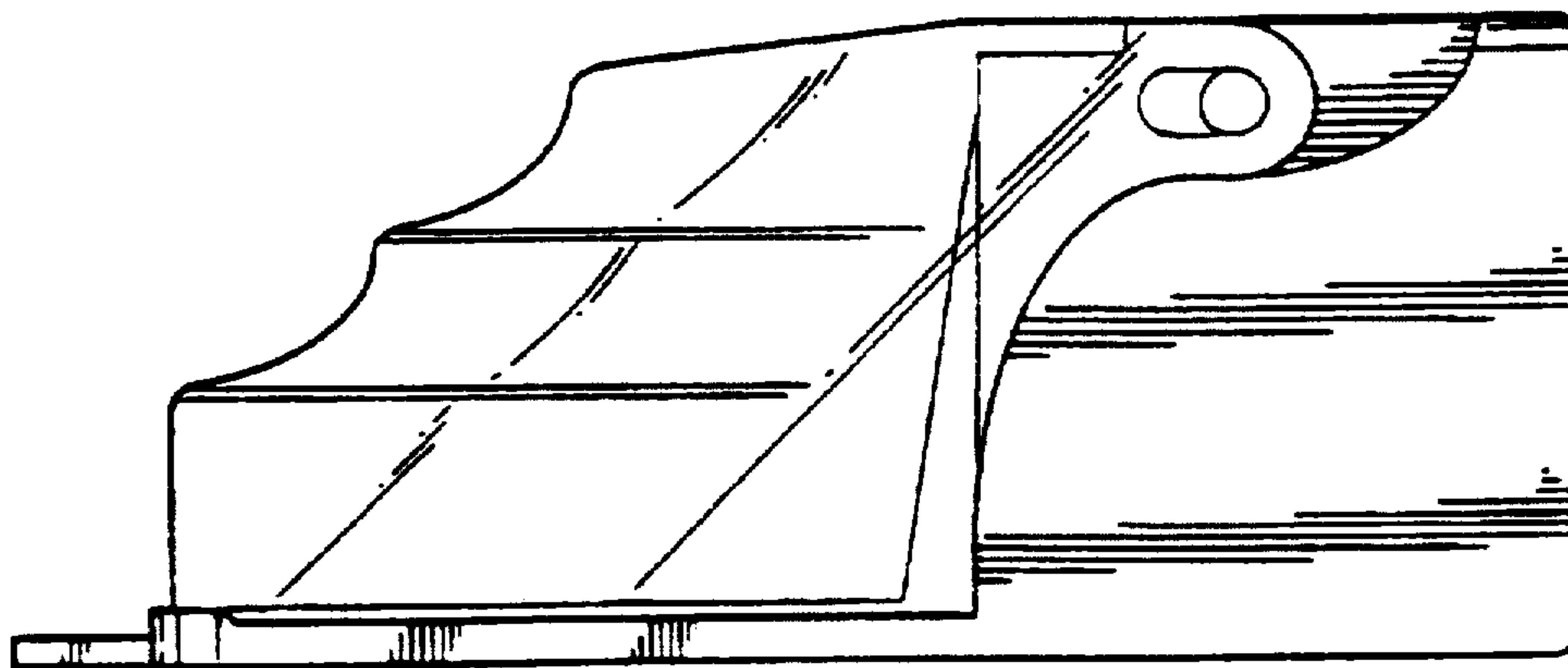


FIG. 4

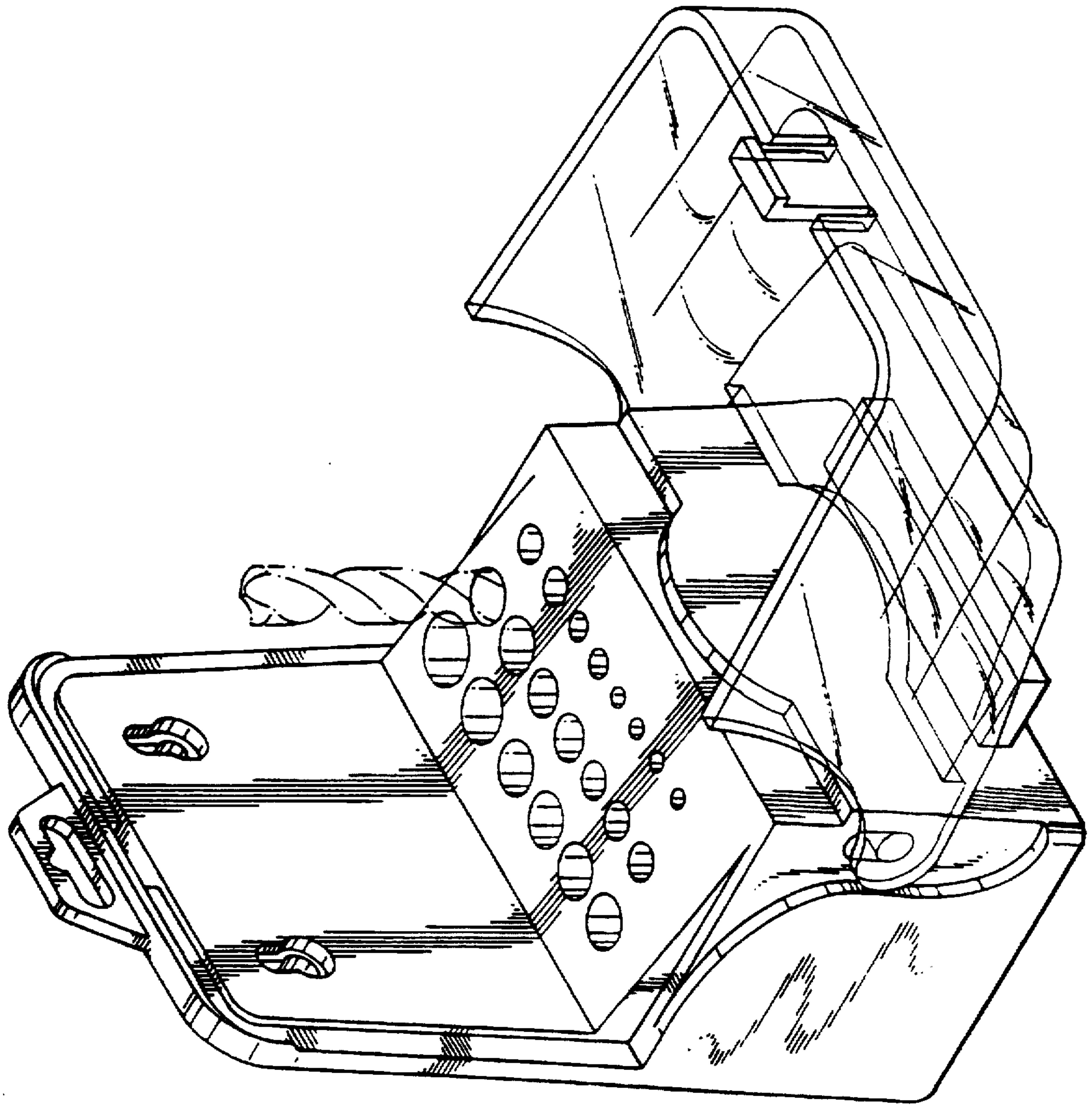


FIG. 8