



US00D408280S

United States Patent [19]

Manley et al.

[11] Patent Number: Des. 408,280

[45] Date of Patent: **Apr. 20, 1999

[54] PACKAGE FOR A SNACK FOOD CONTAINER

[75] Inventors: Dick Duane Manley, Mt. Horeb; Michael Peter McDonald, Madison, both of Wis.

[73] Assignee: New Glarus Foods, Inc., New Glarus, Wis.

[**] Term: 14 Years

[21] Appl. No.: 29/075,634

[22] Filed: Sep. 3, 1997

[51] LOC (6) CL 09-07

[52] U.S. Cl. D9/415; D9/418

[58] Field of Search D9/415, 418, 337, D9/341, 345, 347; 206/461-471, 495, 806

[56] **References Cited**

U.S. PATENT DOCUMENTS

D. 279,865	7/1985	McKee	D9/415 X
D. 329,017	9/1992	Goodale	D9/415
D. 350,693	9/1994	Pratt	D9/345 X
D. 358,987	6/1995	Clutter et al.	D9/415
D. 371,071	6/1996	Ford	D9/415

D. 396,632	8/1998	Lee	D9/418 X
3,278,015	10/1966	Bernstein	206/461 X
4,106,614	8/1978	Aylott	206/777 X
4,757,898	7/1988	Klein	206/461 X

OTHER PUBLICATIONS

Techform Inc, Nov. 1982.
Modern Packaging, p. 334, 1963.

Primary Examiner—Prabhakar G. Deshmukh
Attorney, Agent, or Firm—The Scanlon Law Office; William J. Scanlon

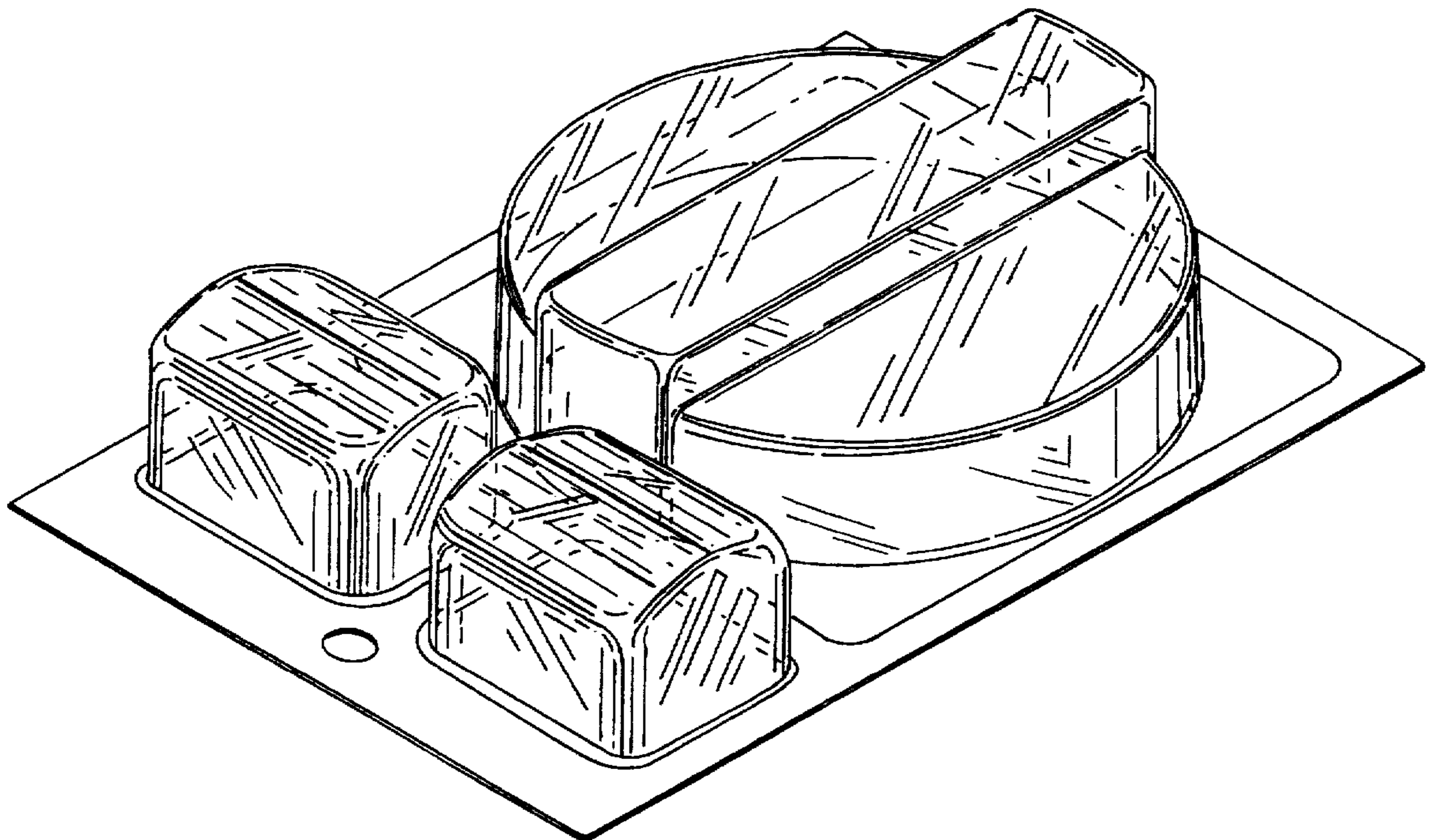
[57] **CLAIM**

The ornamental design for a package for a snack food container, as shown and described.

DESCRIPTION

FIG. 1 is a perspective view of a package for a food container showing our new design; FIG. 2 is a top plan view thereof; FIG. 3 is a left side elevational view thereof; the right side elevational view being a mirror image thereof; FIG. 4 is a rear elevational view thereof; FIG. 5 is a front elevational view thereof; and, FIG. 6 is a bottom plan view thereof.

1 Claim, 3 Drawing Sheets



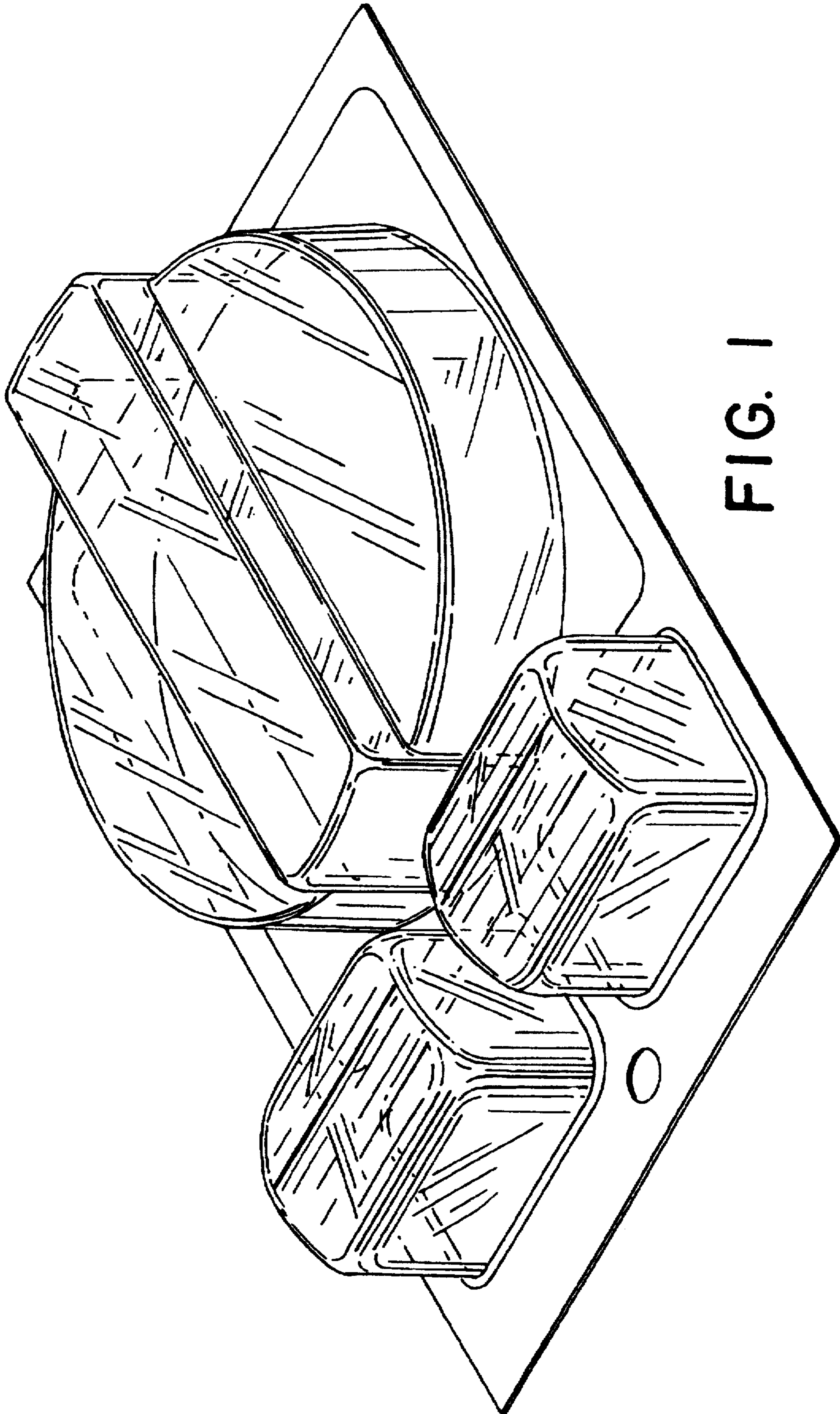


FIG. 1

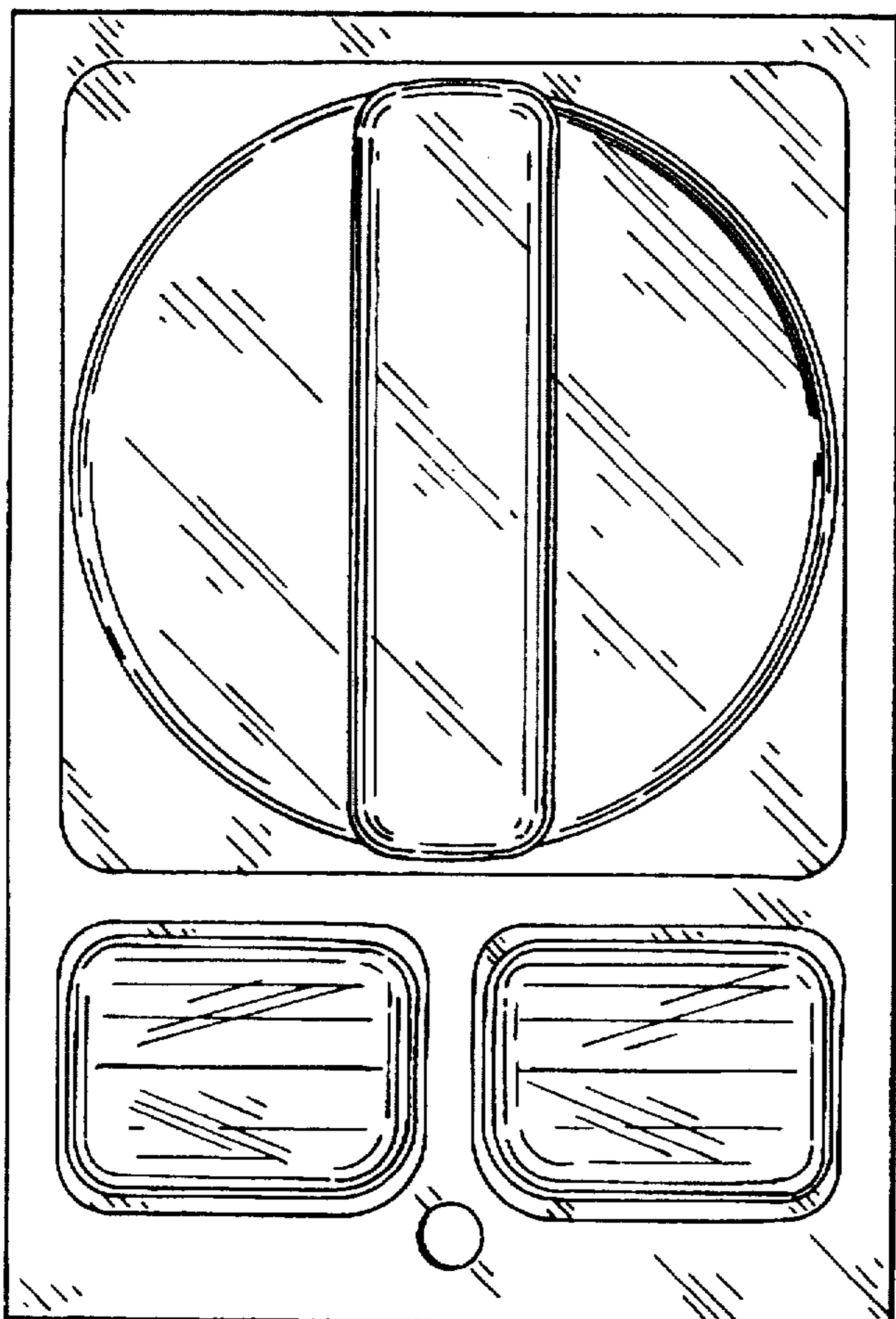


FIG. 2

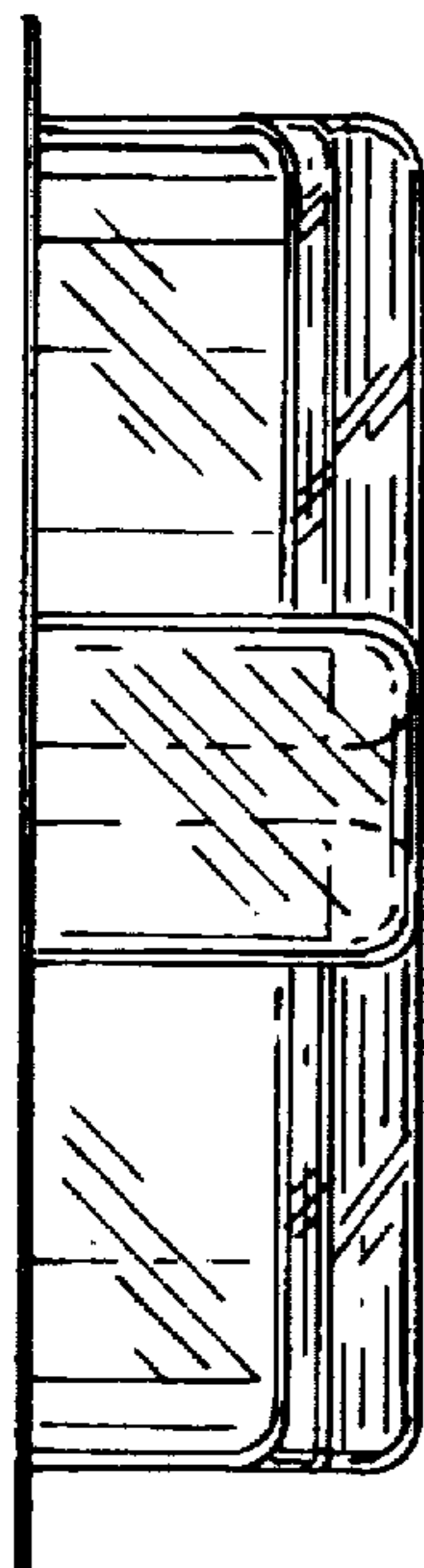


FIG. 4

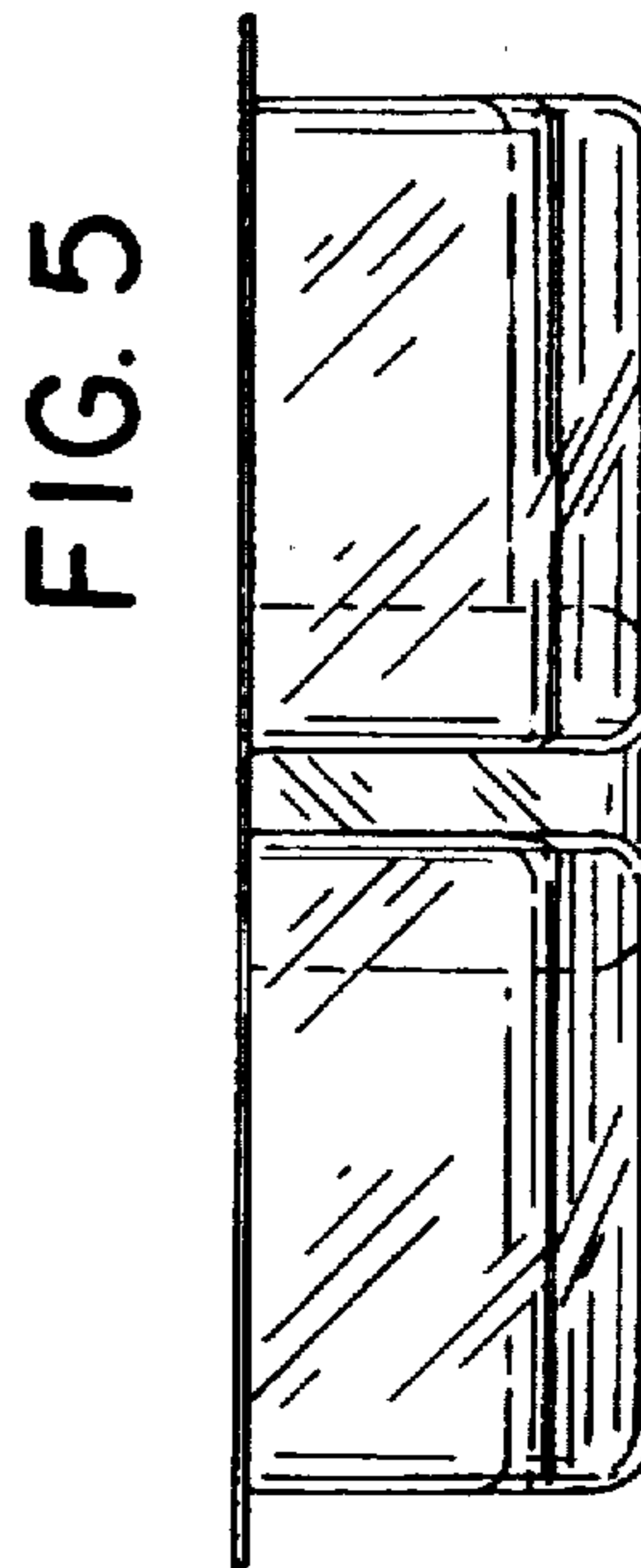


FIG. 5

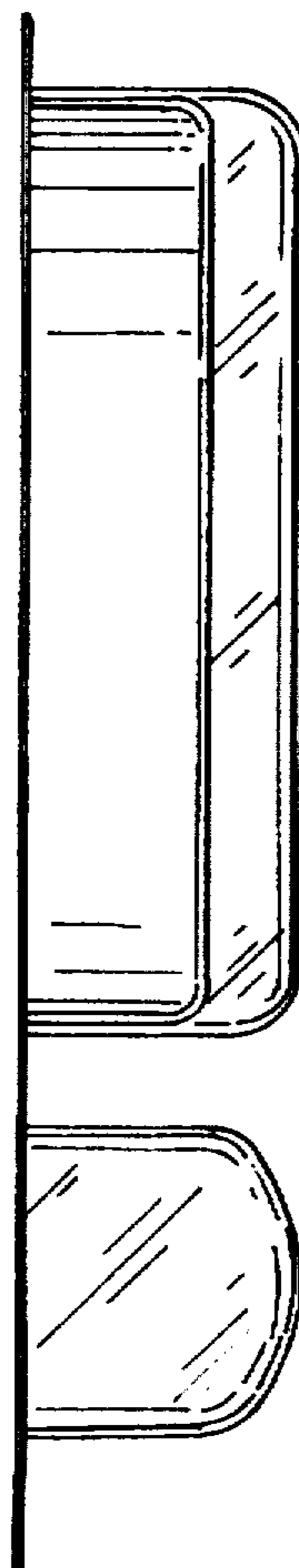


FIG. 3

FIG. 6

