



US00D408279S

United States Patent [19]

Fracassi et al.

[11] Patent Number: Des. 408,279

[45] Date of Patent: **Apr. 20, 1999

[54] PACKAGING CONTAINER

[75] Inventors: **Joseph Fracassi**, Laguna Niguel; **Elizabeth Allen**, Costa Mesa, both of Calif.; **Rodney D. Borst**, Oregon, Wis.; **James Iannarilli**, Tarzana; **Robin Reichelt**, Orange, both of Calif.

[73] Assignee: **Pacific World Corporation**, Lake Forest, Calif.

[**] Term: **14 Years**

[21] Appl. No.: **29/072,181**

[22] Filed: **Jun. 12, 1997**

[51] LOC (6) Cl. **09-07**

[52] U.S. Cl. **D9/415**

[58] Field of Search D9/415, 418, 414, D9/341, 346, 337; 206/461-471, 495, 806

[56] References Cited

U.S. PATENT DOCUMENTS

D. 275,180	8/1984	Bakus	139/415
D. 275,453	9/1984	Bankier .	
D. 305,408	1/1990	LaJoie .	
D. 307,554	5/1990	McAlister, Sr.	D9/415
D. 327,844	7/1992	Wimbish et al.	D9/415
D. 330,855	11/1992	Demopoulos et al.	D9/415
1,282,485	10/1918	Sterling .	
1,974,466	9/1934	Marshburn .	
2,032,807	3/1936	Masbach .	
2,195,495	4/1940	Popp .	
2,212,397	8/1940	Gomes et al. .	
2,563,689	8/1951	Muhlhauser	128/156
2,633,139	3/1953	Petty	132/73
3,111,220	11/1963	Bostrom	206/470 X
3,157,280	11/1964	Perdue et al.	D9/415 X
3,397,774	8/1968	Tjaden	206/470
3,485,344	12/1969	Aylott	206/784
3,982,551	9/1976	Bartolucci .	
4,106,614	8/1978	Aylott .	
4,140,139	2/1979	Aylott .	
4,373,632	2/1983	VanZandt .	
4,383,607	5/1983	Lordahl et al.	206/470
4,824,702	4/1989	Straub	428/15

4,903,838	2/1990	Broers et al. .	
4,903,840	2/1990	So	206/581
5,529,417	6/1996	Burriader .	
5,540,324	7/1996	Knapp	206/470
5,570,793	11/1996	Killough .	
5,791,482	8/1998	Murphy et al.	206/581

OTHER PUBLICATIONS

Modern Packaging, p. 334, 1963.

Techform Inc. (From 206/461), Nov. 1982.

[Photograph of] Revlon Nail Enhancers™ packages (package insert backs indicates © 1997 and patent pending).

[Photographs front and side of] LaJoie Press & Go® package (package back indicates © 1994).

[Photographs of] Nailene® "Square" focus group package; used in 1995 by assignee of present application with limited focus groups during development of the invention.

[Photographs of] Nailene® "S-Curve" focus group package; used in 1995 by assignee of present application with limited focus groups during development of the invention.

Primary Examiner—Prabhakar G. Deshmukh

Attorney, Agent, or Firm—Leydig, Voit & Mayer, Ltd.

[57] CLAIM

The ornamental design for a packaging container, as shown and described.

DESCRIPTION

FIG. 1 is a front elevational view of a packaging container showing our new design;

FIG. 2 is a front perspective view thereof;

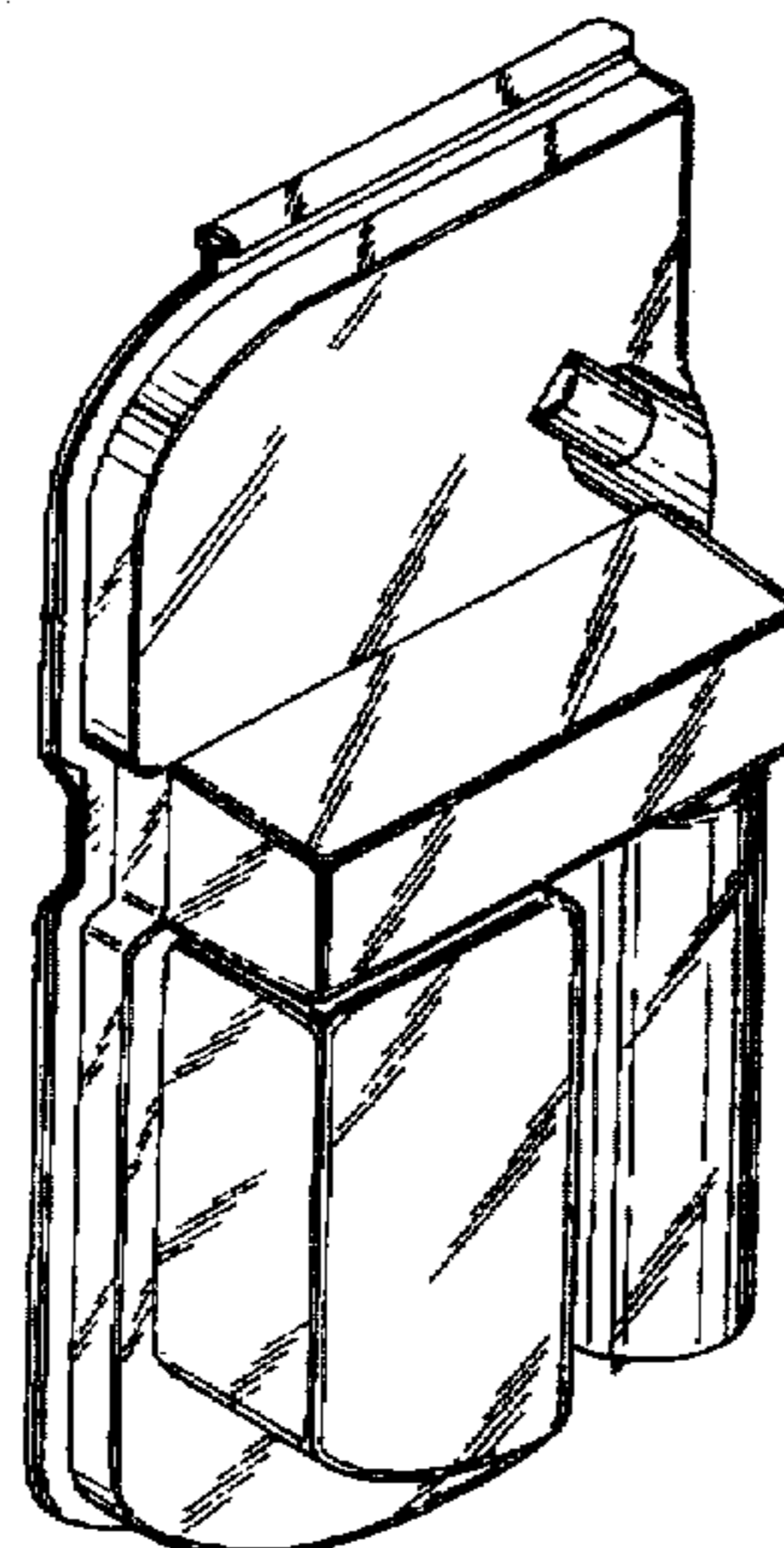
FIG. 3 is a rear perspective view thereof;

FIG. 4 is a right side elevational view thereof; and,

FIG. 5 is a front perspective view of as alternate embodiment of a packaging container.

The rear of an alternate embodiment (FIG. 5) is similar to as disclosed in FIG. 3 of the first embodiment. All other remaining views of an alternate embodiment (FIG. 5) are similar to as disclosed in FIGS. 3 and 4 with the exception of the front blisters configuration. The broken line showing of nails and accessories is for illustrative purpose only and forms no part of the claim.

1 Claim, 3 Drawing Sheets



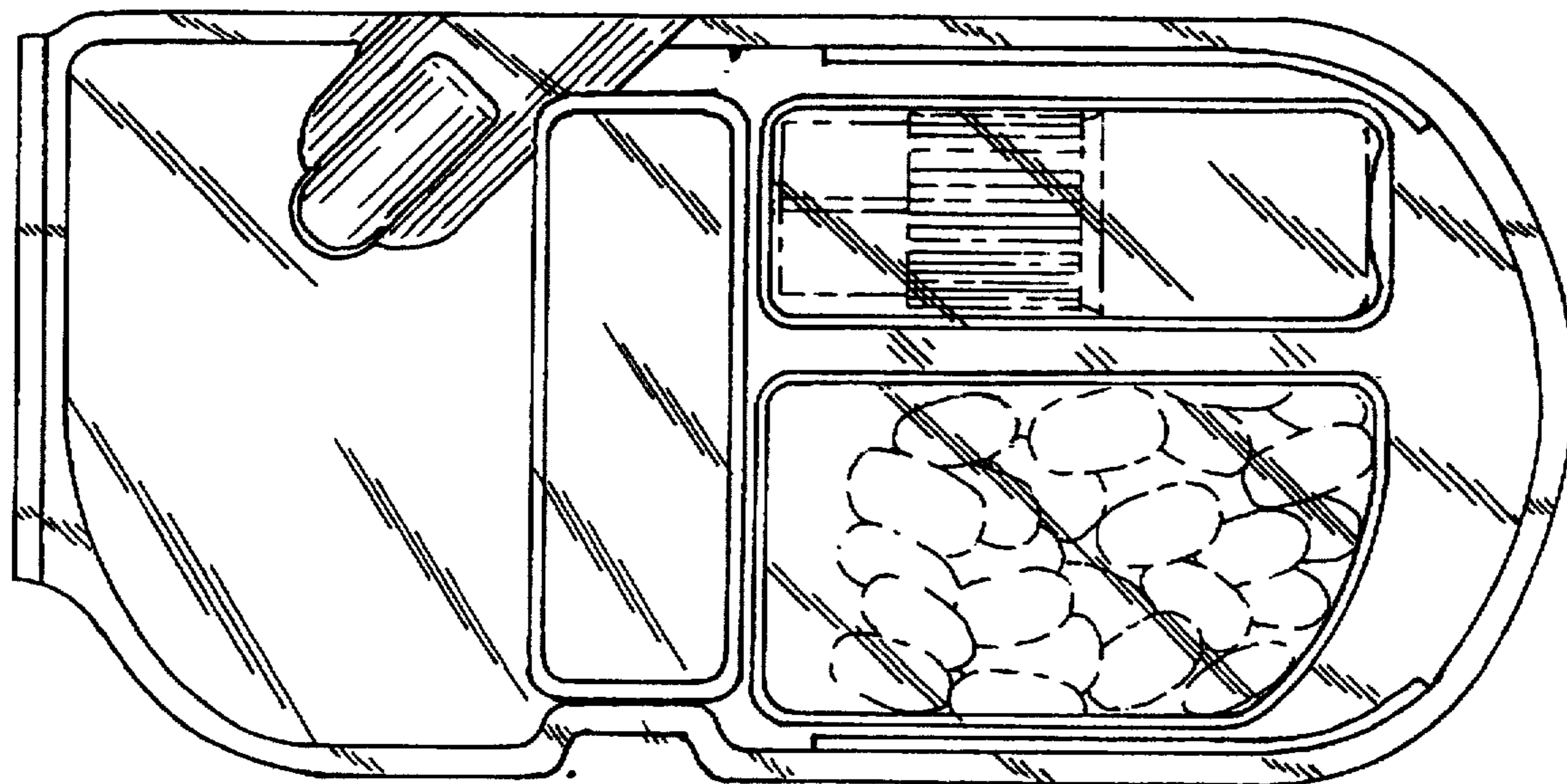


FIG. 1

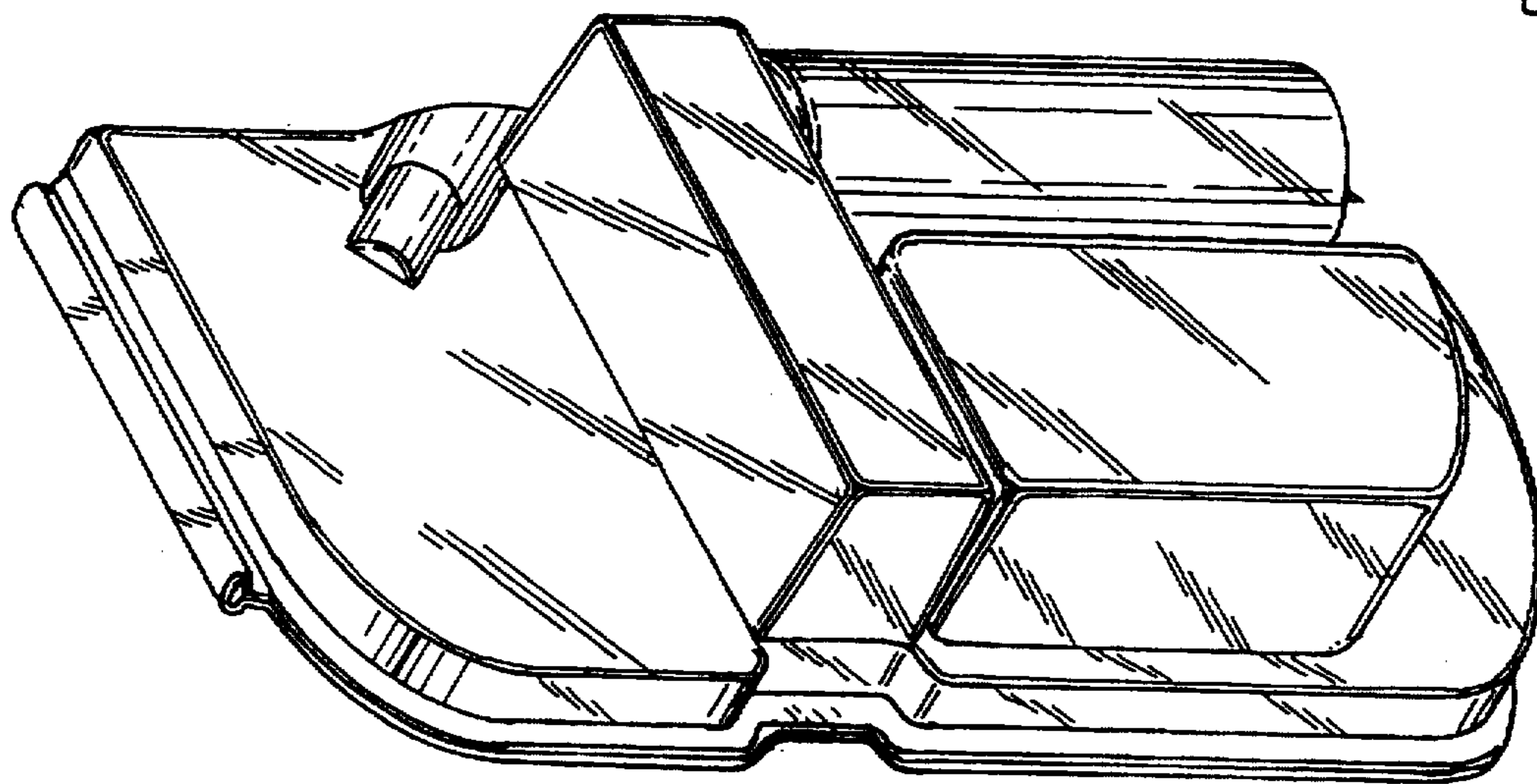


FIG. 2

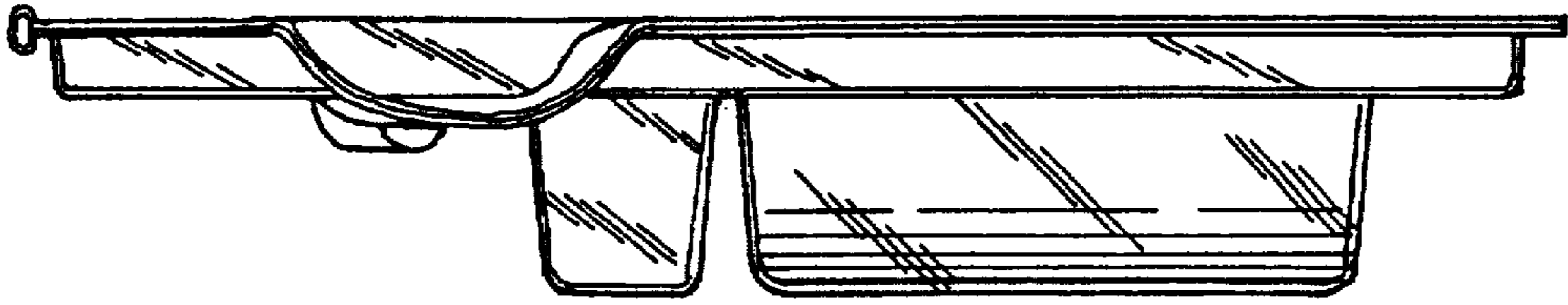


FIG. 4

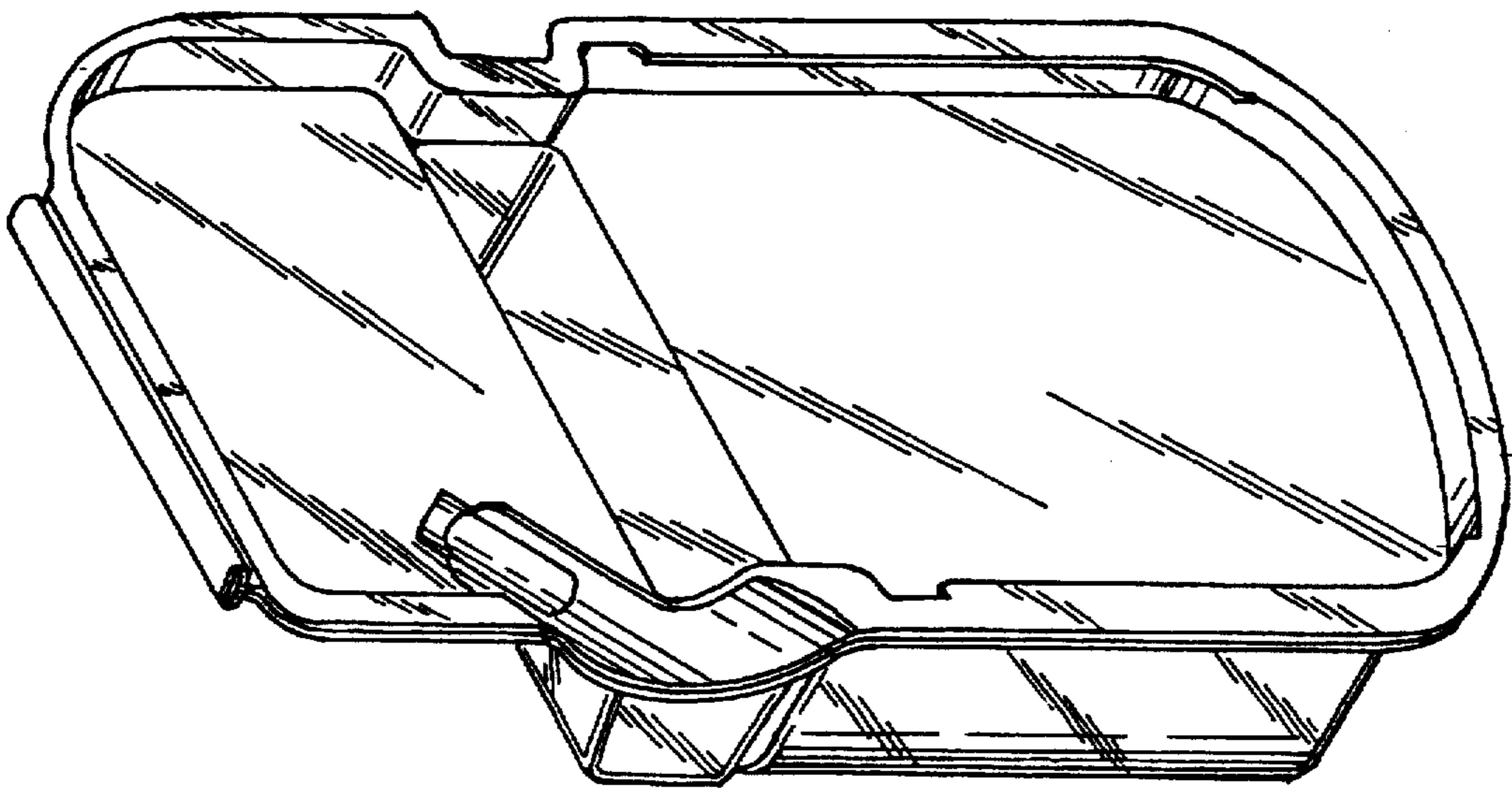


FIG. 3

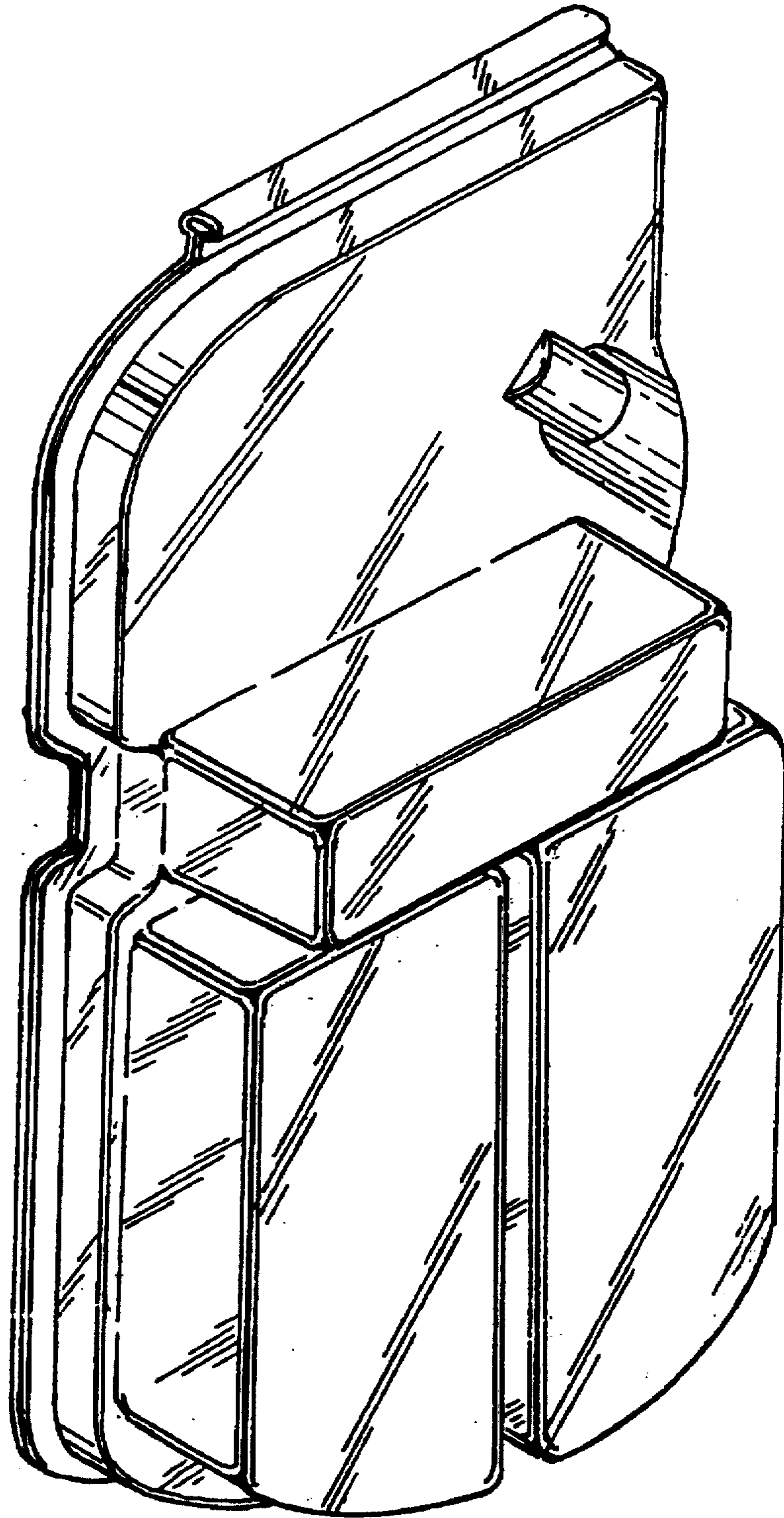


FIG. 5