

US00D408278S

# United States Patent [19] Konop

[11] Patent Number: **Des. 408,278**  
[45] Date of Patent: **\*\*Apr. 20, 1999**

[54] **BLISTER PACKAGE FOR A TOOTHBRUSH**  
[75] Inventor: **Gary L. Konop, Iowa City, Iowa**  
[73] Assignee: **Gillette Canada Inc., Kirkland, Canada**  
[\*\*] Term: **14 Years**  
[21] Appl. No.: **29/067,627**  
[22] Filed: **Mar. 4, 1997**  
[51] LOC (6) CL. .... **09-07**  
[52] U.S. Cl. .... **D9/415**  
[58] Field of Search ..... **D9/415, 418, 337,  
D9/414; 206/461-471, 806, 495, 209.1,  
361, 15.2**

4,811,550 3/1989 Hautemont ..... 53/478  
4,854,450 8/1989 Fisher ..... 206/806 X  
4,895,255 1/1990 Fisher ..... 206/497  
4,901,858 2/1990 Anderson ..... 206/461  
4,915,231 4/1990 Perbet et al. .... 206/461  
5,027,947 7/1991 Reighart ..... 206/806 X  
5,052,556 10/1991 Wilkinson ..... 206/15.2 X  
5,122,328 6/1992 Anderson ..... 264/554  
5,154,293 10/1992 Gould ..... 206/461  
5,209,354 5/1993 Thornhill et al. .... 206/469

### OTHER PUBLICATIONS

Techform Inc., Nov. 1982.

*Primary Examiner*—Prabhakar G. Deshmukh  
*Attorney, Agent, or Firm*—Chester Cekala

### [57] CLAIM

The ornamental design a for blister package for a toothbrush, as shown and described.

### DESCRIPTION

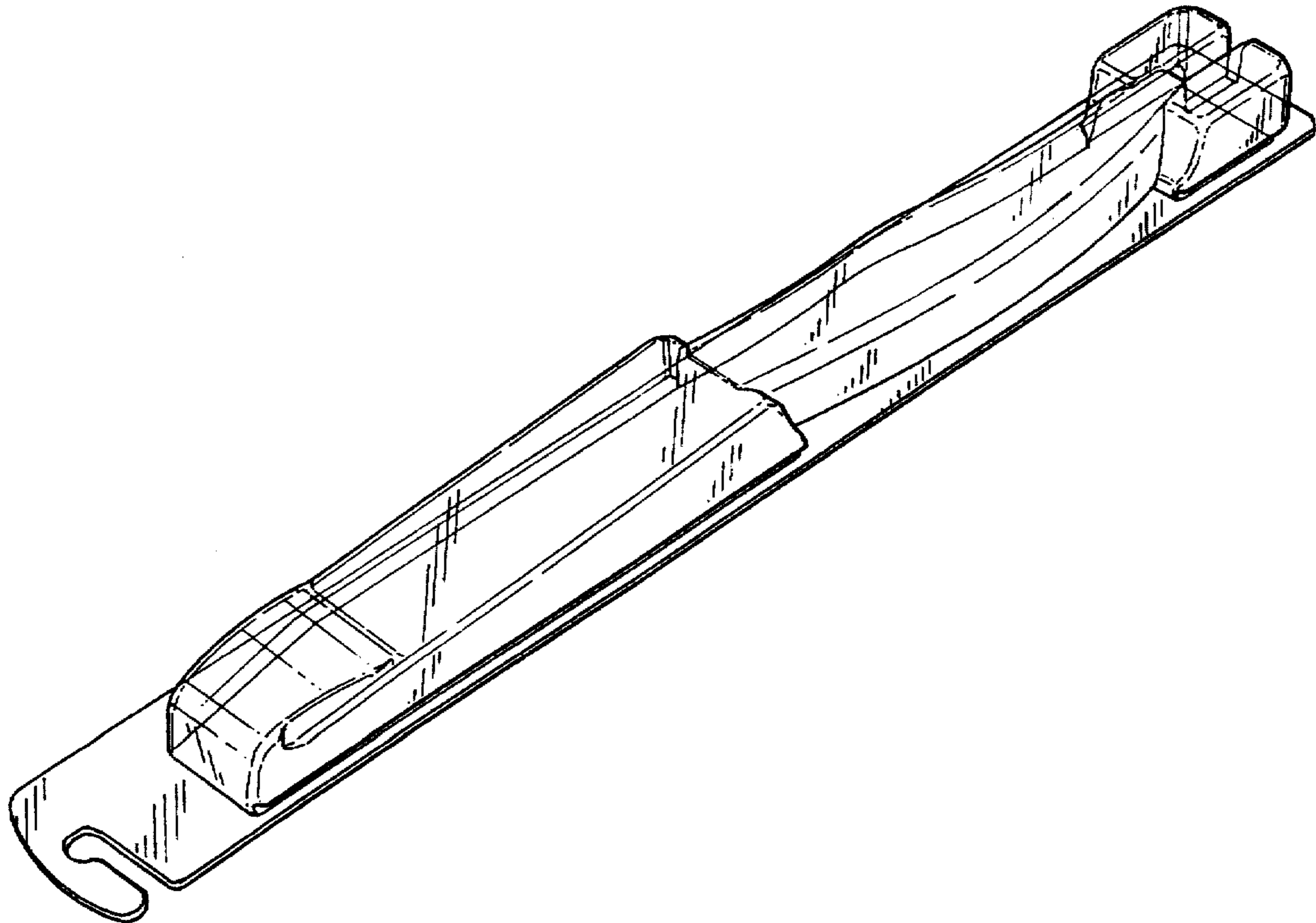
FIG. 1 is a top, front and right side perspective view of a blister package for a toothbrush showing my new design. FIG. 2 is a bottom, front, right side perspective view thereof; FIG. 3 is a front elevational view thereof; FIG. 4 is a right side view thereof; FIG. 5 is a left side elevational view thereof; FIG. 6 is a back view thereof; FIG. 7 is a top view thereof; and, FIG. 8 is bottom view thereof. The broken lines showing a toothbrush are for illustrative purposes only and forms no part of the claimed design.

**1 Claim, 3 Drawing Sheets**

### [56] References Cited

#### U.S. PATENT DOCUMENTS

D. 366,829 2/1996 Chervenak et al. .... D9/415  
D. 376,372 12/1996 Cahn et al. .... D9/415  
2,978,851 4/1961 Smith ..... 53/33  
3,034,271 5/1962 Carpenter et al. .... 53/184  
3,166,462 1/1965 Schoder ..... 156/499  
3,218,776 11/1965 Cloud ..... 53/30  
3,609,940 10/1971 Lemelson ..... 53/290  
3,942,640 3/1976 Hellstrom ..... 206/469  
4,075,818 2/1978 Wright et al. .... 53/180 R  
4,119,203 10/1978 Kuchenbecker ..... 206/461  
4,161,246 7/1979 Tanaka ..... 206/806 X  
4,187,768 2/1980 Suzuki ..... 93/39.1 R  
4,378,903 4/1983 Sherwood ..... 206/806 X  
4,512,474 4/1985 Harding ..... 206/461  
4,784,268 11/1988 Perchak ..... 206/461



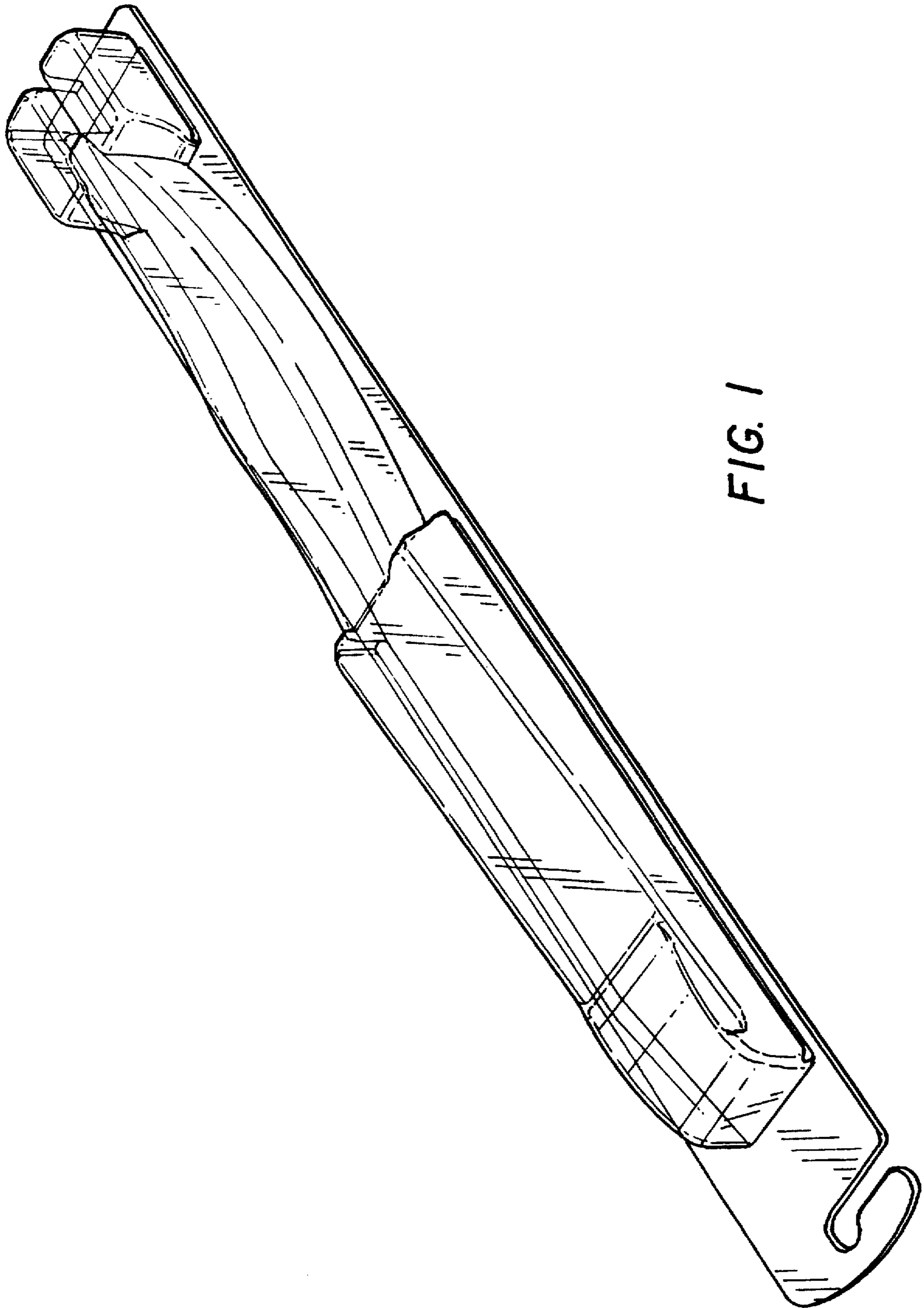


FIG. 1

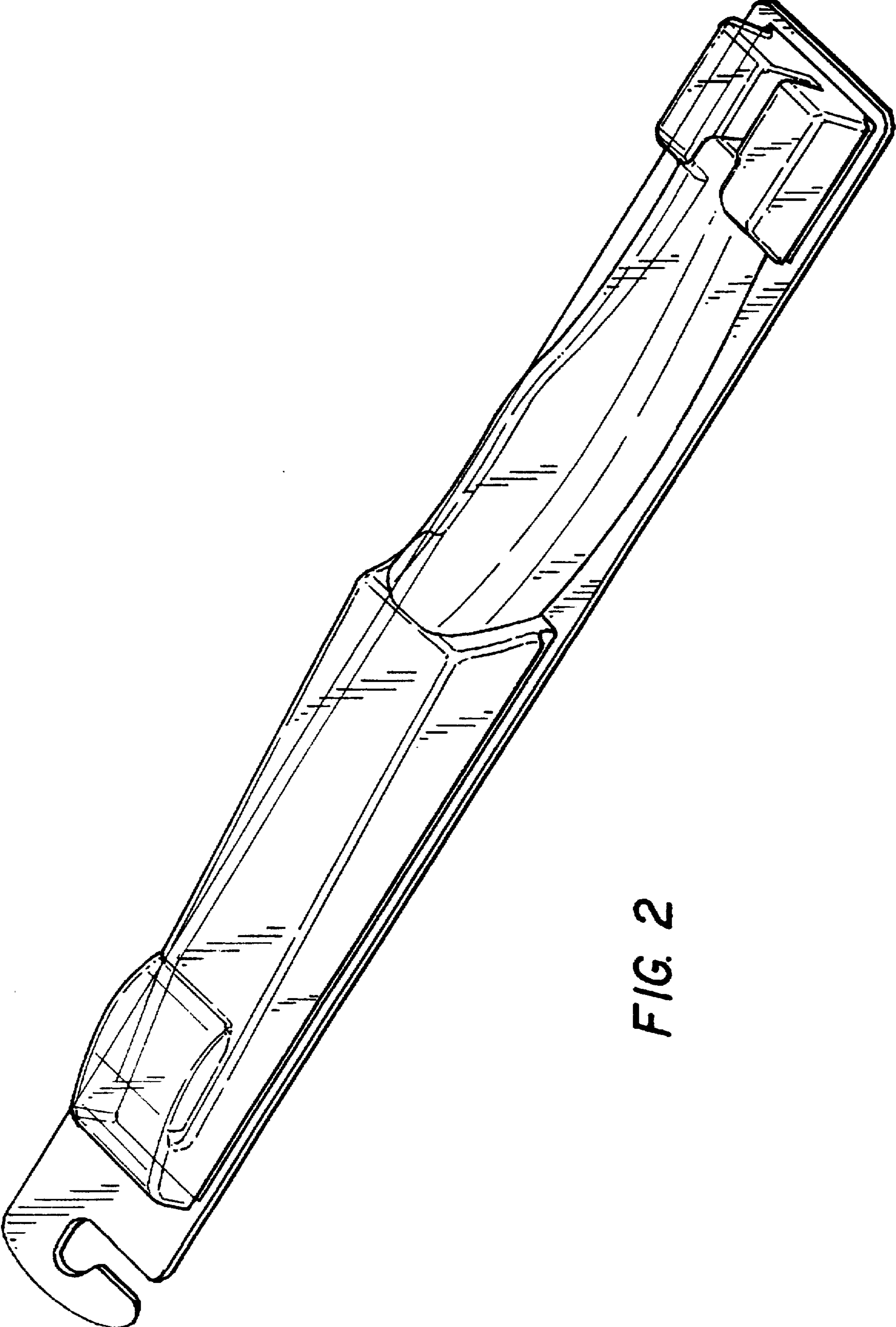


FIG. 2

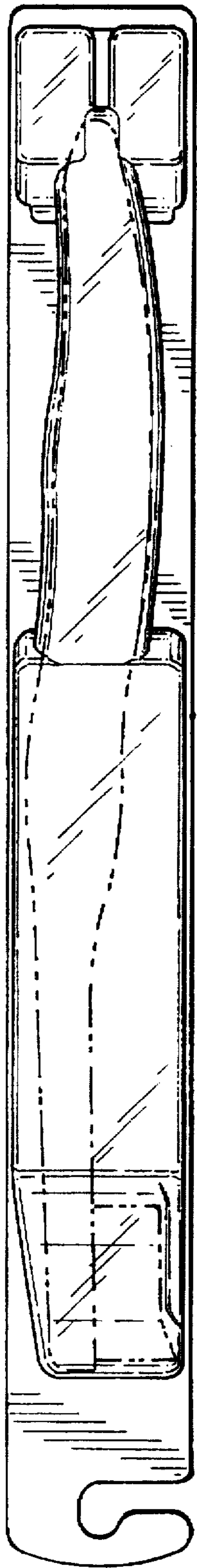


FIG. 3

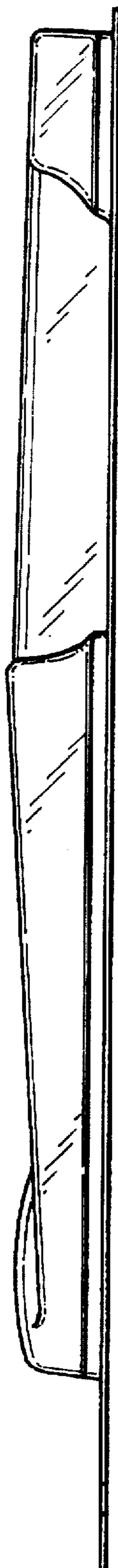


FIG. 4



FIG. 5

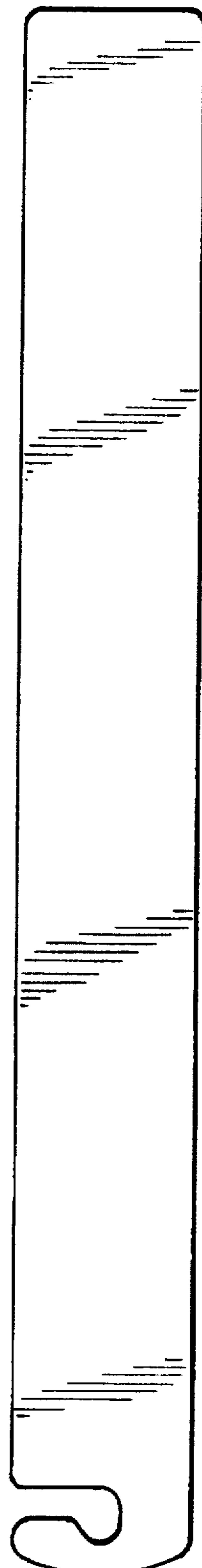


FIG. 6

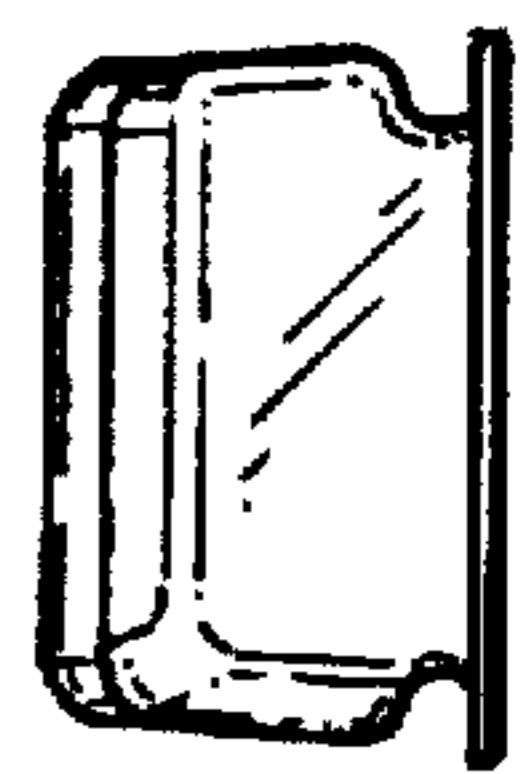


FIG. 7

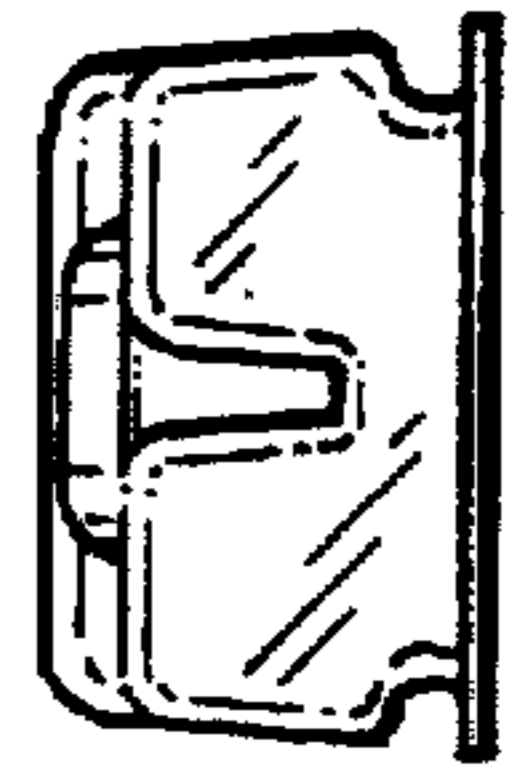


FIG. 8