



US00D408274S

# United States Patent [19]

Vetter et al.

[11] Patent Number: **Des. 408,274**

[45] Date of Patent: **\*\*Apr. 20, 1999**

[54] **OUTER SURFACE OF AN OPERATOR HOUSING**

[75] Inventors: **Gregory J. Vetter; Perry L. Virkler,** both of Owatonna; **Valerie M. Baldwin,** Albert Lea, all of Minn.

[73] Assignee: **Truth Hardware Corporation,** Owatonna, Minn.

[\*\*] Term: **14 Years**

[21] Appl. No.: **29/069,897**

[22] Filed: **Apr. 3, 1997**

[51] LOC (6) CL ..... **08-09**

[52] U.S. Cl. .... **D8/400**

[58] **Field of Search** ..... D8/400, 499, 308, D8/309; 16/110 R, 115; 292/347; 74/545, 546, 89.14, 89.18; 49/337, 324, 325, 339, 341, 342, 360, 353

[56] **References Cited**

**U.S. PATENT DOCUMENTS**

- Re. 26,508 12/1968 Stavenau et al. .
- Re. 34,230 4/1993 Tucker et al. .
- D. 160,682 10/1950 Zarbock .

(List continued on next page.)

**OTHER PUBLICATIONS**

- Trademark Housing Design—Registration No. 1,713,001 (Sep. 8, 1992).
- Truth Hardware brochure “Casement and Awning Operators” (1993).
- Truth Hardware brochure “10 Lever Operator” (1993).
- Truth Hardware brochure “11 Rotor Gear Awning Operator” (1993).
- Truth Hardware brochure “11 Entrygard® Awning Operator” (1993).

Truth Hardware brochure “Telescoping Push Bar Operators” (1993).

Truth Hardware brochure “15 Entrygard® Dual Arm Operator” (1993).

(List continued on next page.)

*Primary Examiner*—Susan J. Lucas  
*Assistant Examiner*—Jennifer Rivand  
*Attorney, Agent, or Firm*—Wood, Phillips, VanSanten, Clark & Mortimer

[57] **CLAIM**

The ornamental design of a outer surface of an operator housing, as shown and described.

**DESCRIPTION**

FIG. 1 is a perspective view of the outer surface of an operator housing as oriented relative to a window sill and sash (not shown), with an operator handle such as would typically be used with the housing shown in phantom;

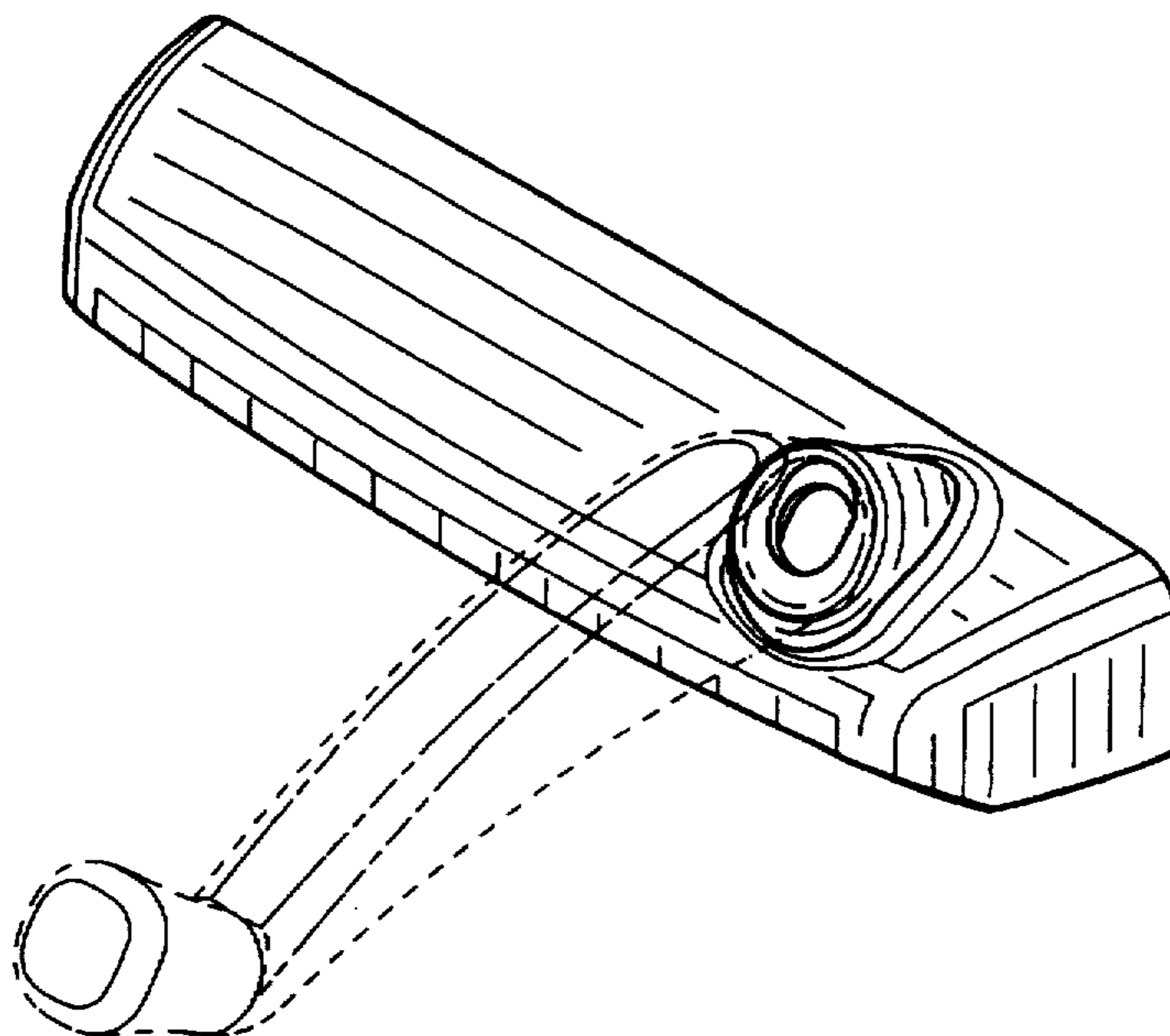
FIG. 2 is a top view of the outer surface of an operator housing;

FIG. 3 is a front view of the outer surface of an operator housing; and,

FIG. 4 is a left end view of the outer surface of an operator housing.

The housing is normally mounted along its rear and bottom to a window sill and sash (not shown) and the rear and bottom are therefore not normally visible. Accordingly, the rear and bottom views of the outer surface of an operator housing are not shown herein as they are unclaimed subject matter. Further, the end of the raised portion over which the handle is normally secured as shown in FIG. 1 is also not normally visible. Therefore, that end portion delineated by the surrounding dashed line in FIGS. 2 and 3 is also not a portion of the claimed subject matter.

**1 Claim, 1 Drawing Sheet**



U.S. PATENT DOCUMENTS

D. 173,335 11/1954 Bancroft .  
 D. 176,652 1/1956 Blanchard .  
 D. 176,653 1/1956 Blanchard .  
 D. 179,639 2/1957 Harby .  
 D. 198,202 5/1964 Morgan .  
 D. 209,901 1/1968 Fredricksen .  
 D. 347,569 6/1994 Vetter et al. .  
 D. 350,666 9/1994 Wobschall et al. .  
 D. 365,513 12/1995 Vetter et al. .  
 D. 369,741 5/1996 Harrison et al. .  
 D. 375,042 10/1996 Anderson et al. .  
 D. 375,254 11/1996 Anderson et al. .  
 D. 375,647 11/1996 Anderson et al. .  
 D. 390,454 2/1998 Vetter et al. .... D8/400  
 2,300,473 11/1942 Van Winkle .  
 2,617,549 11/1952 Egger .  
 2,641,402 6/1953 Bruun .  
 2,824,735 2/1958 Stavenau et al. .  
 2,977,810 4/1961 Stavenau .  
 3,032,330 5/1962 Stavenau .  
 3,082,900 3/1963 Goodman .  
 3,237,834 3/1966 Davis et al. .  
 3,258,874 7/1966 Martin .  
 3,443,715 5/1969 Edwards .  
 3,457,675 7/1969 Armstrong .  
 3,523,389 8/1970 Gray .  
 3,908,523 9/1975 Shikaya .  
 4,083,264 4/1978 Van Klompenburg .  
 4,253,276 3/1981 Peterson et al. .  
 4,324,072 4/1982 Sterner, Jr. .  
 4,445,794 5/1984 Sandberg .  
 4,505,601 3/1985 Sandberg et al. .  
 4,616,443 10/1986 Araki et al. .

4,617,758 10/1986 Vetter .  
 4,823,508 4/1989 Allen .  
 4,840,075 6/1989 Tucker .  
 4,937,976 7/1990 Tucker et al. .  
 4,993,580 2/1991 Smith .  
 5,103,590 4/1992 Hanemaayer .  
 5,152,103 10/1992 Tucker et al. .  
 5,199,216 4/1993 Vetter et al. .  
 5,201,143 4/1993 Nakanishi .  
 5,205,473 4/1993 Coffin, Sr. .  
 5,226,585 7/1993 Varano .  
 5,272,837 12/1993 Nolte et al. .  
 5,467,503 11/1995 Nolte et al. .  
 5,493,813 2/1996 Vetter et al. .  
 5,531,138 7/1996 Vetter ..... 74/606 R

OTHER PUBLICATIONS

Truth Hardware brochure "15 Entrygard® Dyad Operator" (1993).  
 Truth Hardware brochure "15 Entrygard® Single Arm Operator" (1993).  
 Truth Hardware brochure "15 Single Arm Operator (surface mount)" (1993).  
 Truth Hardware brochure "15 Split Arm Operator" (1993).  
 Truth Hardware brochure "22 Pivot Shoe Roto Operator" (1993).  
 Truth Hardware brochure "22 Scissors Arm Operator" (1993).  
 Truth Hardware brochure "23 Single Arm Operator (Face-Mount)" (1993).  
 Truth Hardware brochure "23 Dyad Operator" (1993).  
 Truth Hardware brochure "30 Op-O-Lock™ System" (1993).

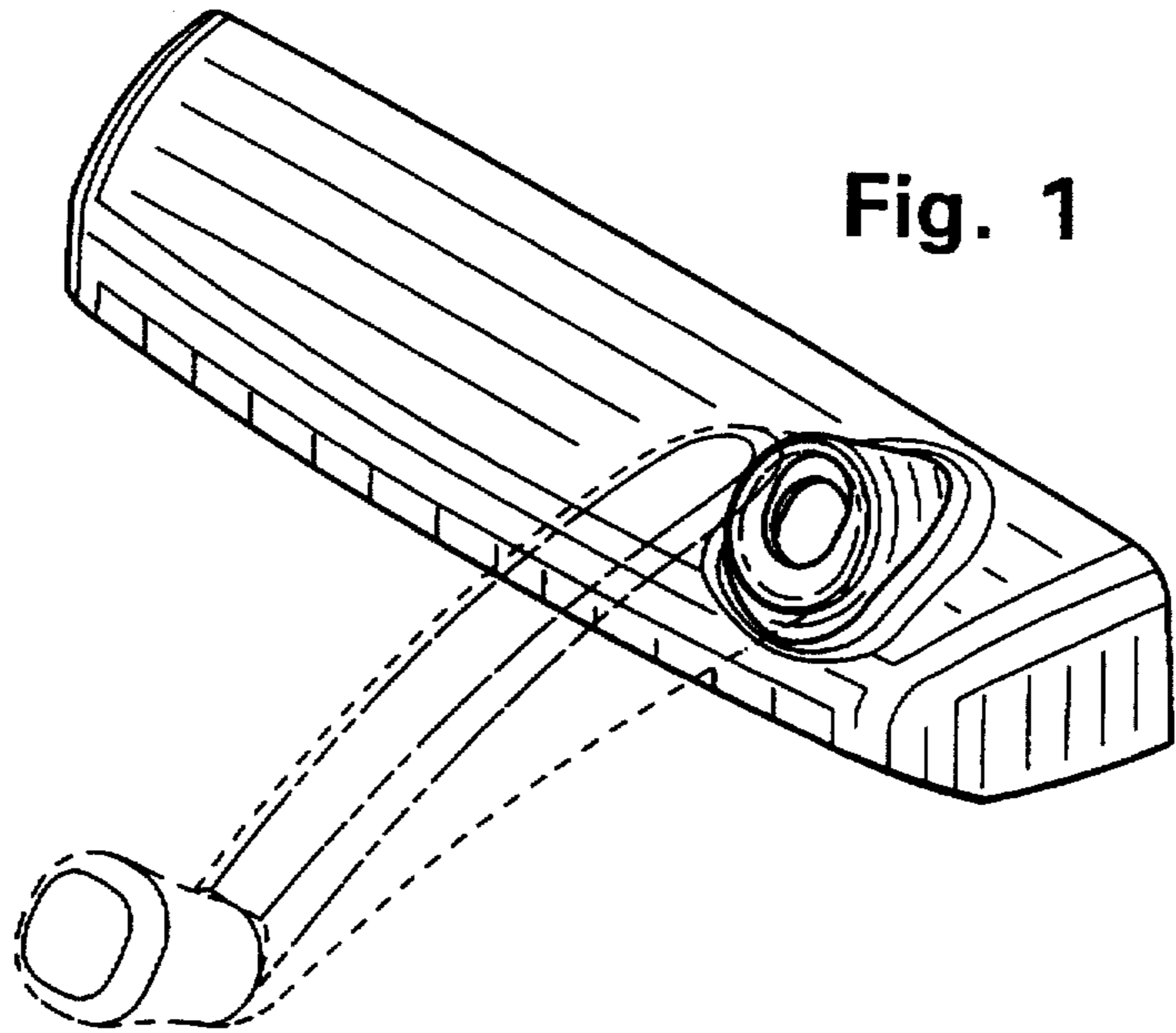


Fig. 1

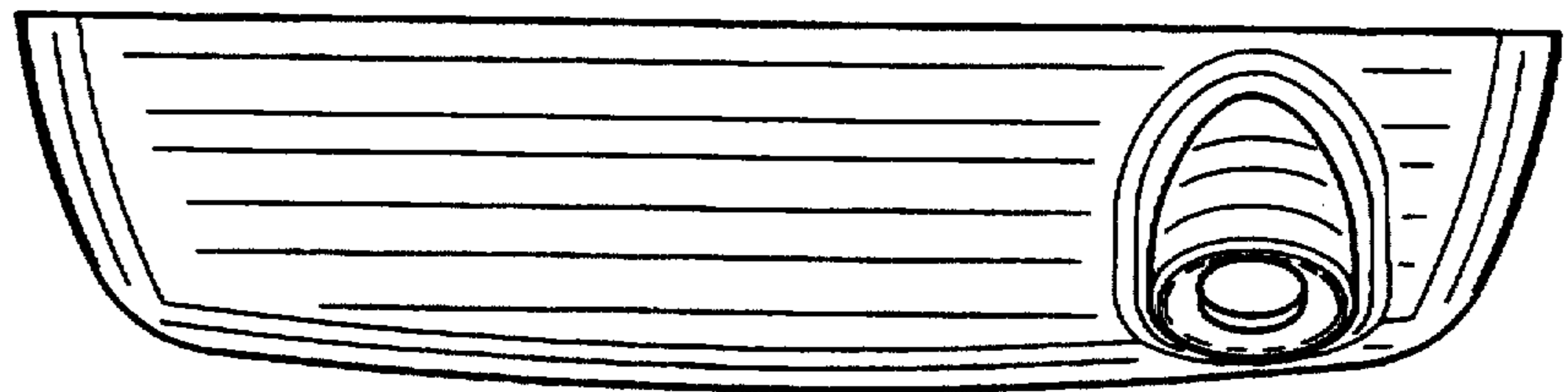


Fig. 2

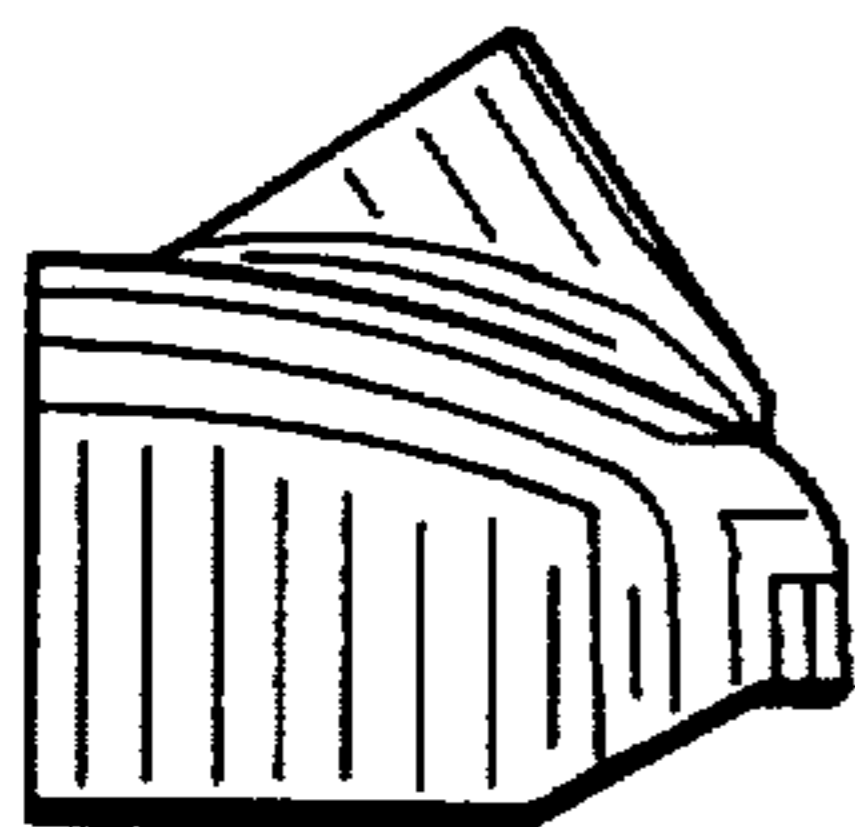


Fig. 4

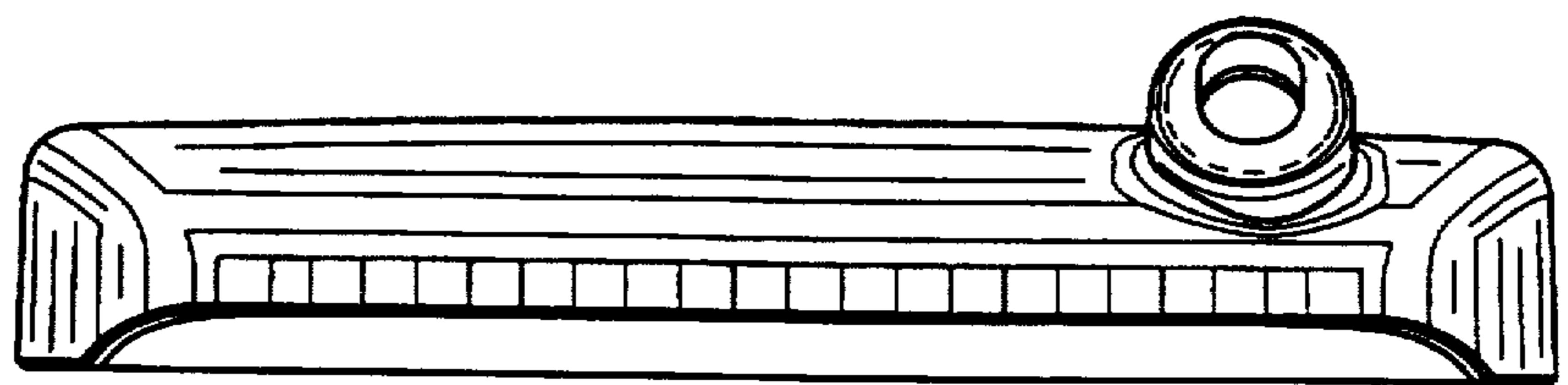


Fig. 3