



US00D408272S

United States Patent [19]

Caron et al.

[11] Patent Number: Des. 408,272

[45] Date of Patent: **Apr. 20, 1999

[54] SHELF BRACKET

[75] Inventors: William G Caron, Aston, Pa.; Paul H. Winter, Wilmington, Del.

[73] Assignee: Zenith Products Corp., New Castle, Del.

[**] Term: 14 Years

[21] Appl. No.: 29/081,768

[22] Filed: Jan. 9, 1998

[51] LOC (6) Cl. 08-05

[52] U.S. Cl. D8/381

[58] Field of Search D8/380-381; 248/243, 248/250

[56] References Cited

U.S. PATENT DOCUMENTS

- D. 289,495 4/1987 Hughes et al. D8/381
- D. 302,240 7/1989 Zell D8/380 X
- D. 388,694 1/1998 Cohen D8/381
- 3,471,112 10/1969 MacDonald et al. 248/243 X

4,732,358 3/1988 Hughes 248/243

Primary Examiner—Holly Baynham
Attorney, Agent, or Firm—Edgar A. Zarins; Leon E. Redman; Myron B. Kapustij

[57] CLAIM

The ornamental design for a shelf bracket, as shown and described.

DESCRIPTION

FIG. 1 is a perspective view of a shelf bracket showing our new design;

FIG. 2 is a front elevational view thereof;

FIG. 3 is a left side view thereof, the opposite side being a mirror image of the side shown;

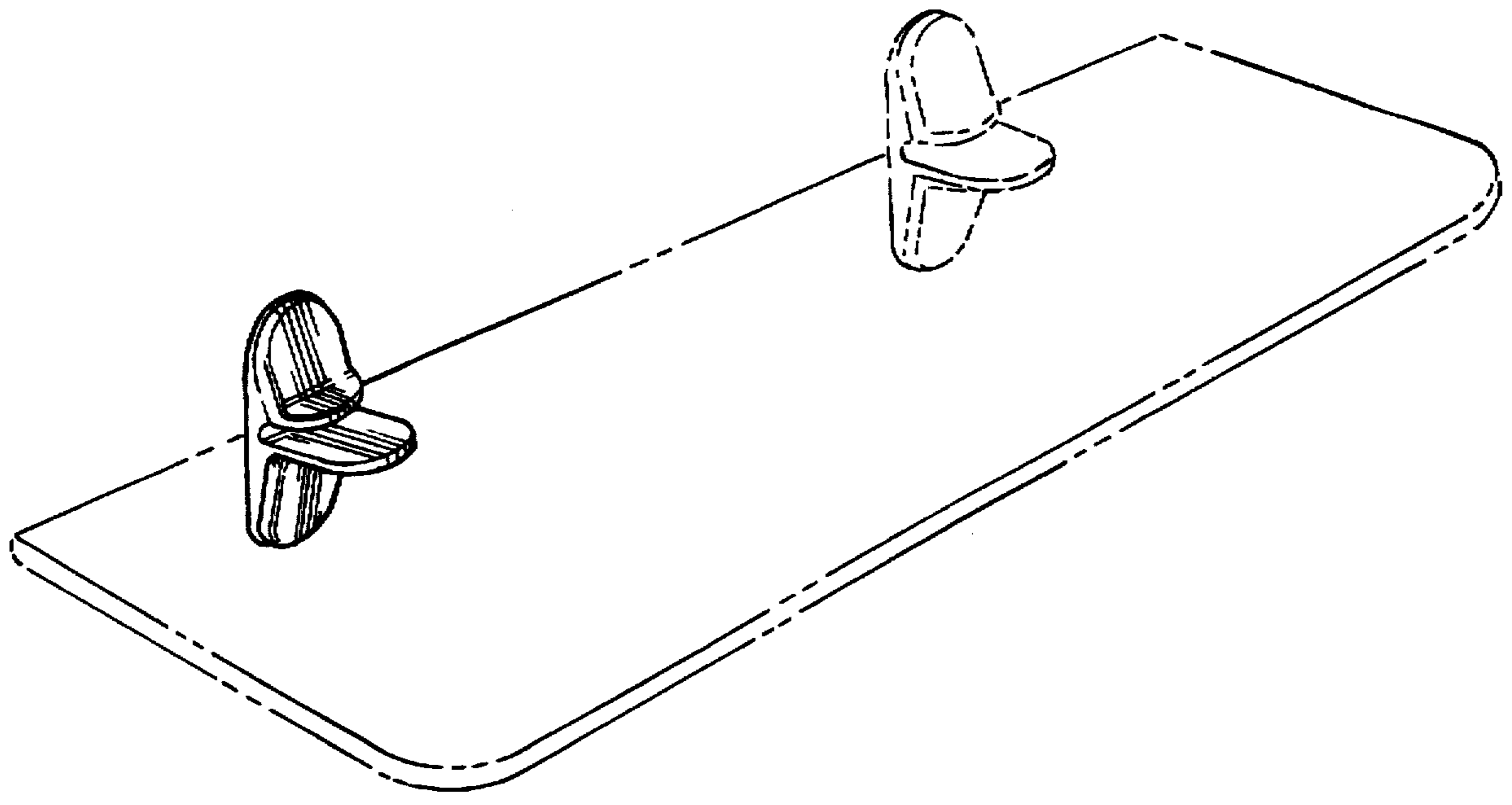
FIG. 4 is a top plan view thereof;

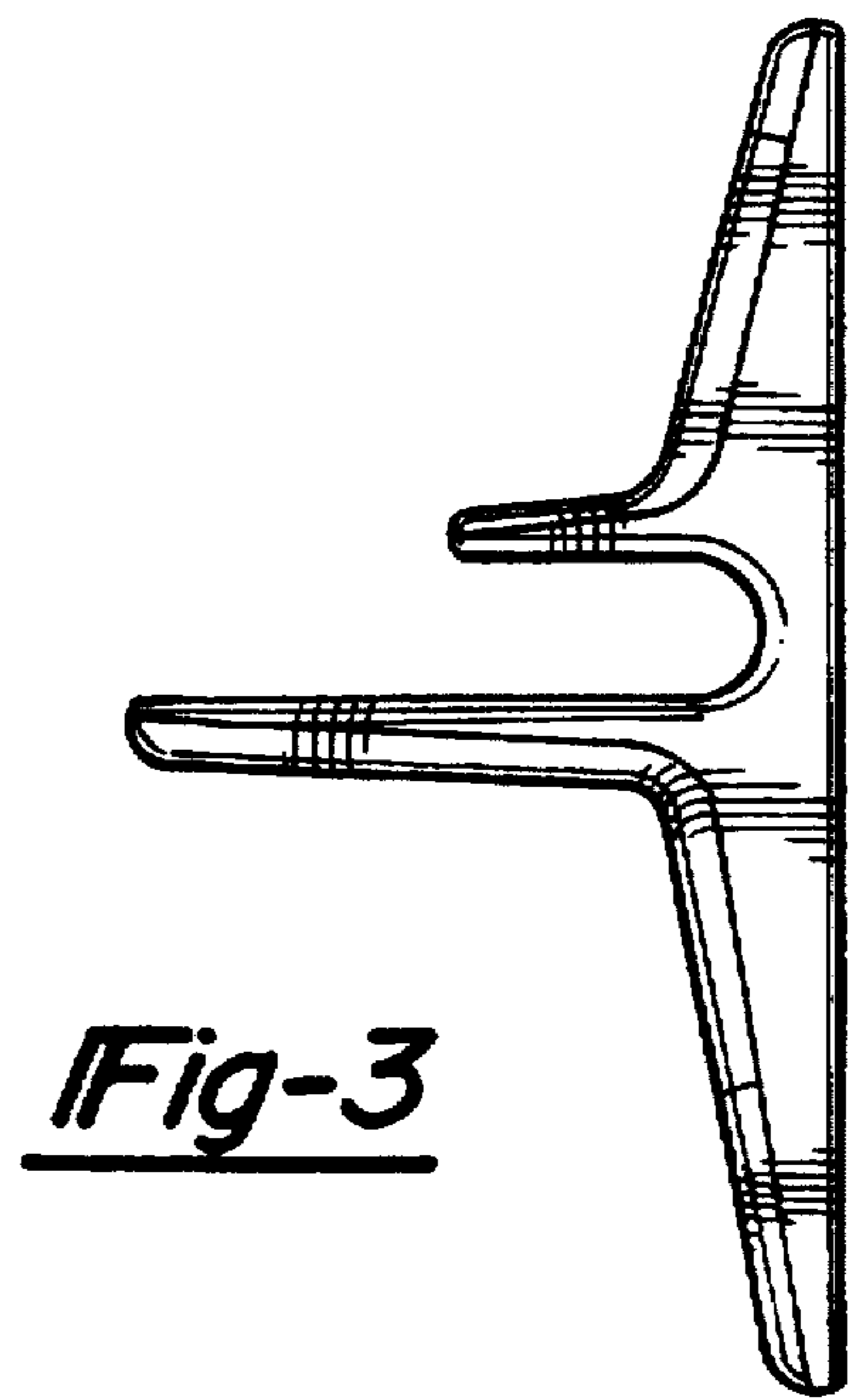
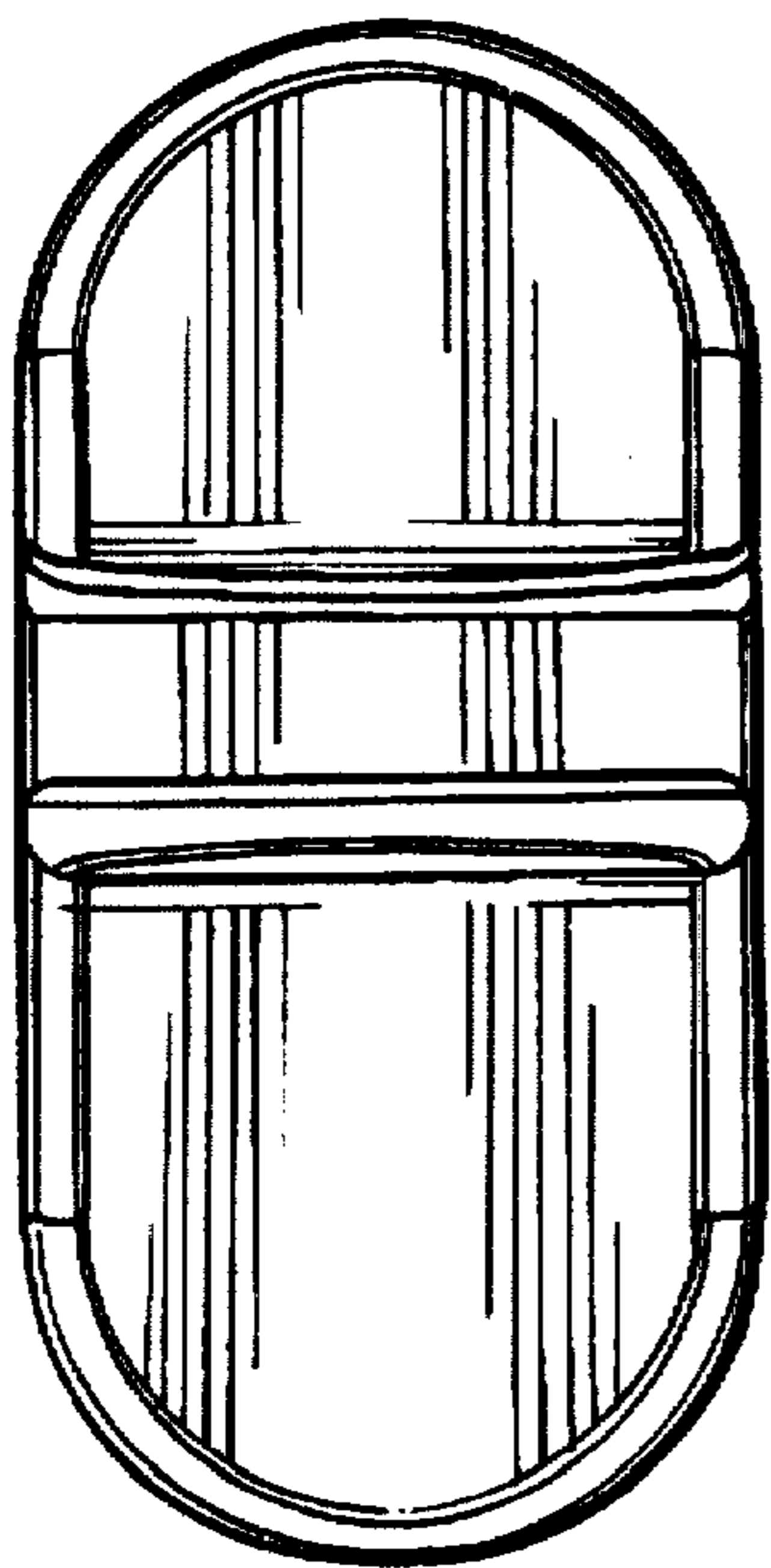
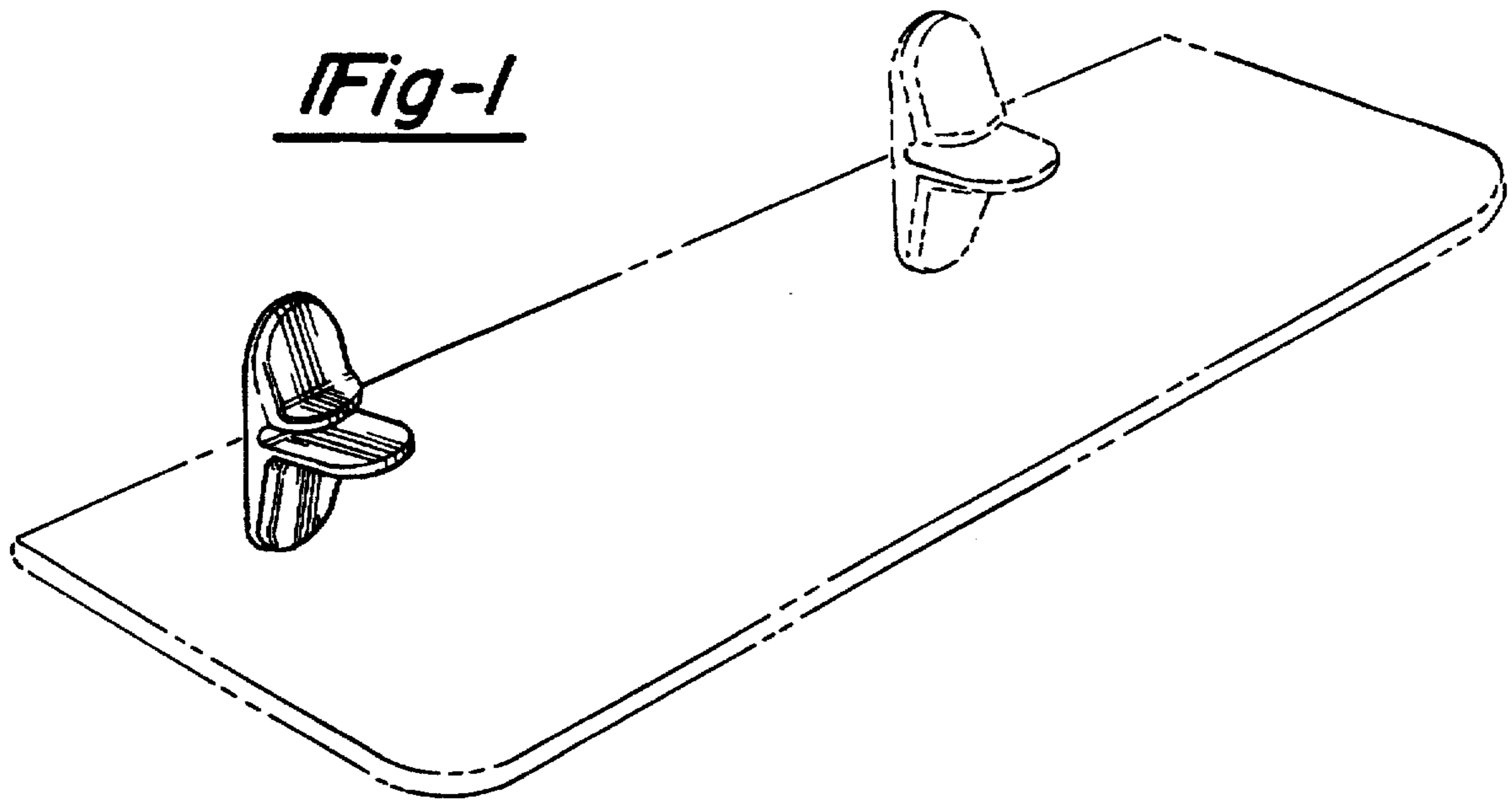
FIG. 5 is a bottom plan view thereof; and,

FIG. 6 is a rear elevational view thereof.

The broken line showing of a shelf and a second shelf bracket is for illustration purposes only and forms no part of the claimed design.

1 Claim, 2 Drawing Sheets





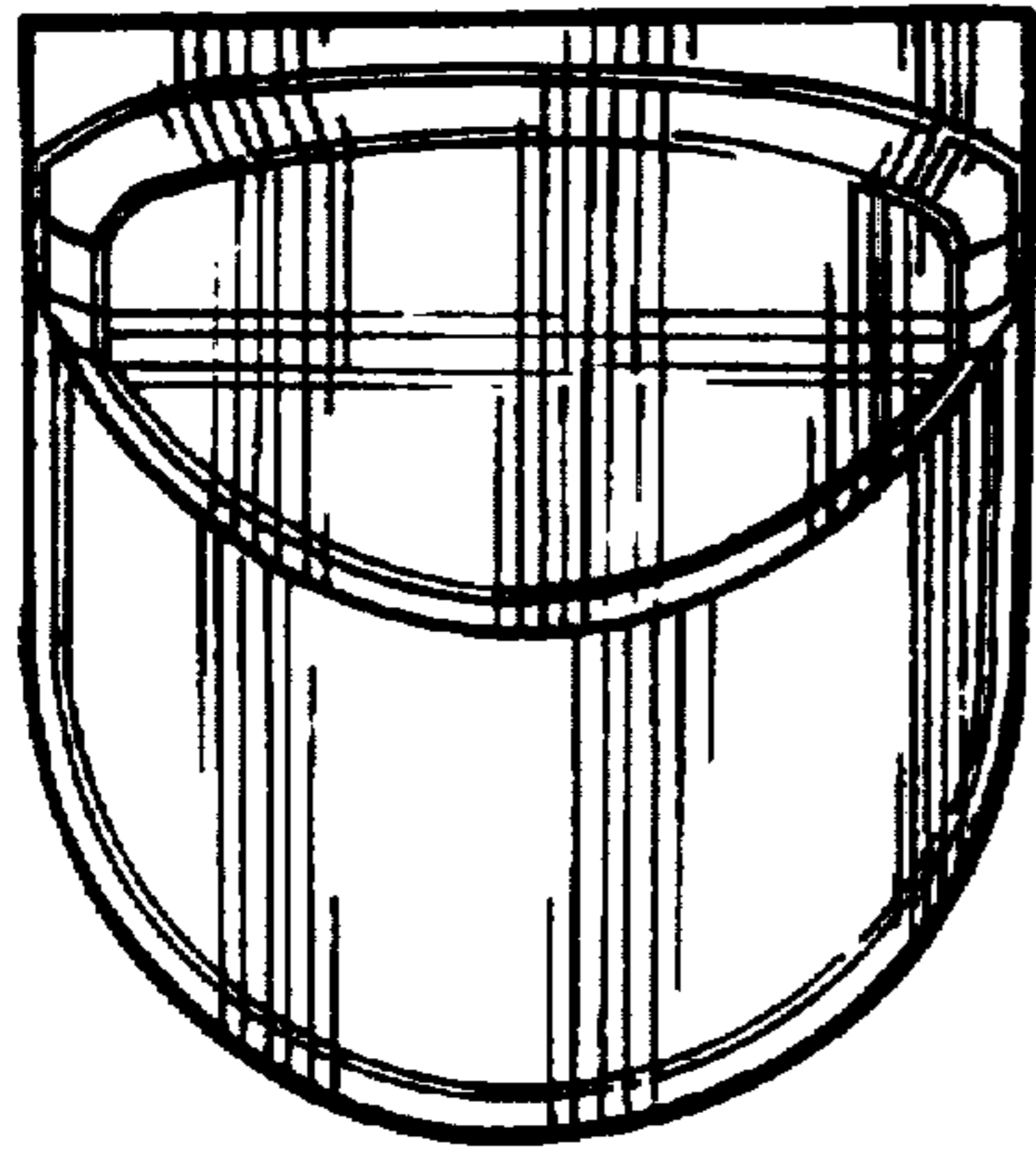


Fig-4

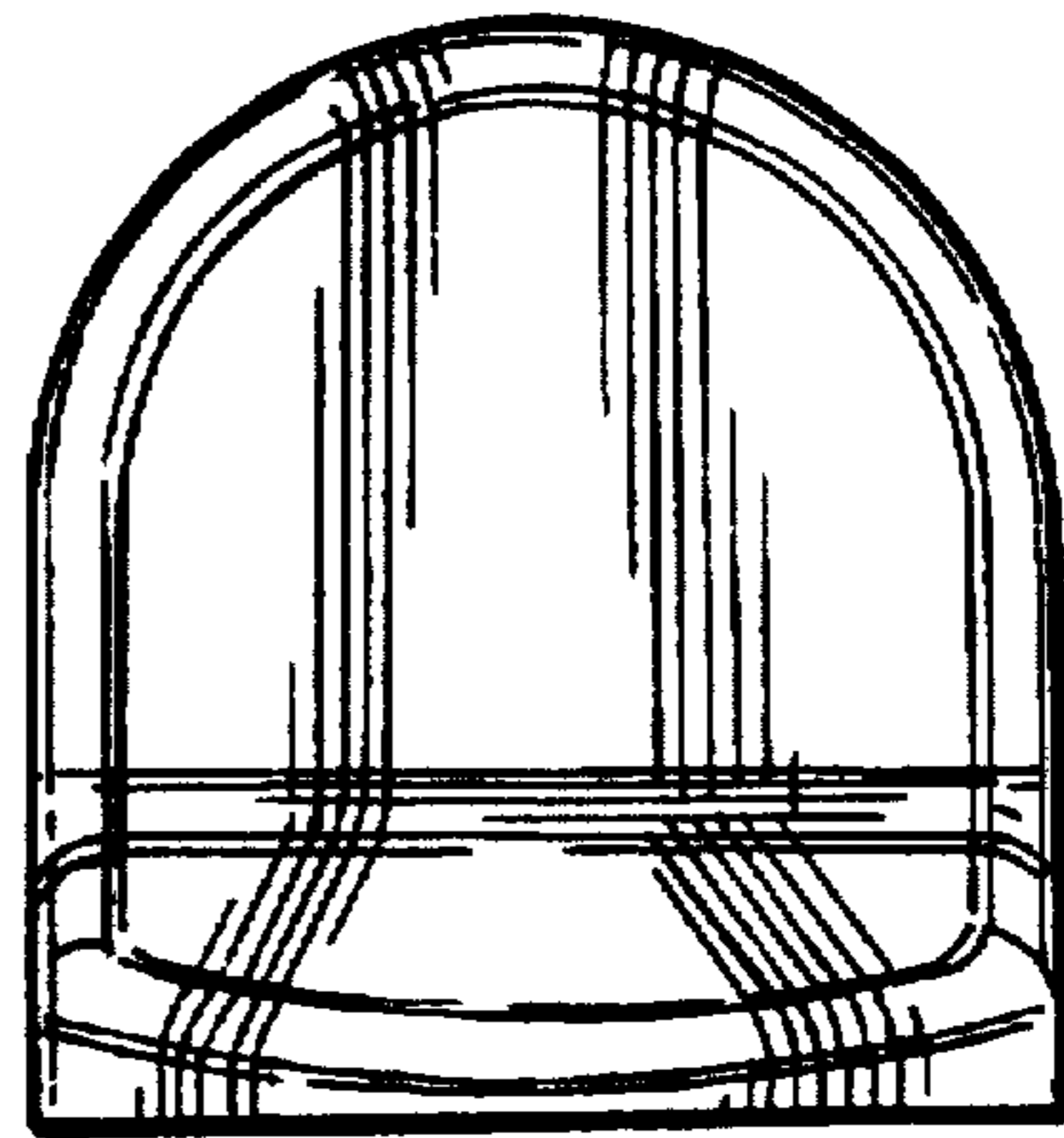


Fig-5

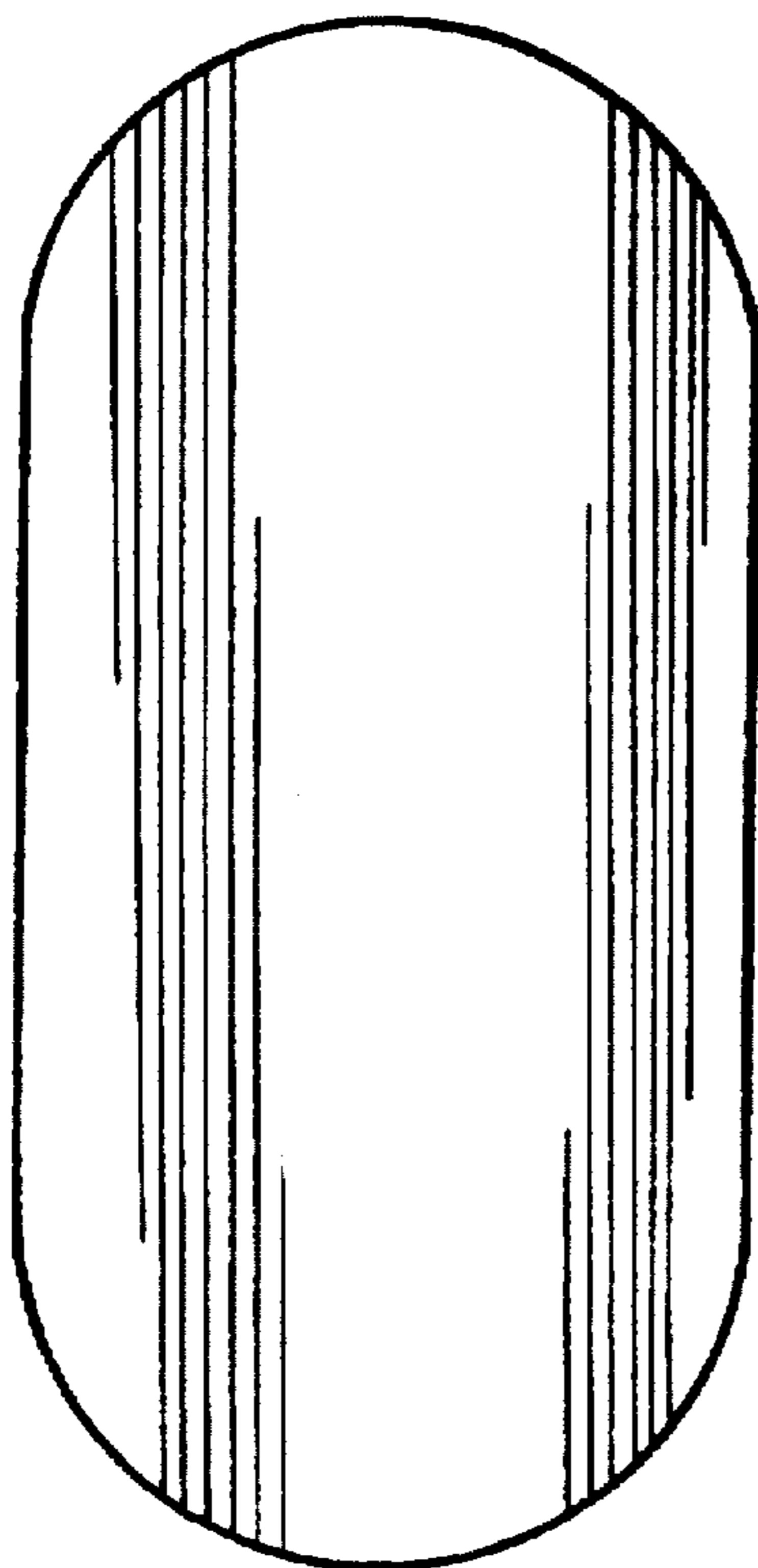


Fig-6