



US00D408269S

# United States Patent [19]

Ross

[11] Patent Number: Des. 408,269

[45] Date of Patent: \*\*Apr. 20, 1999

[54] HOSE HOLDER

[76] Inventor: Albert A. Ross, 21628 Parthenia St.,  
Canoga Park, Calif. 91304

[\*\*] Term: 14 Years

[21] Appl. No.: 29/091,288

[22] Filed: Jul. 27, 1998

[51] LOC (6) CL ..... 08-05

[52] U.S. Cl. .... D8/356

[58] Field of Search ..... D8/1, 356, 395;  
24/115 R; 47/42, 44; 248/300, 56

[56] **References Cited**

**U.S. PATENT DOCUMENTS**

D. 326,927 6/1992 Catalina ..... D8/395 X  
525,010 8/1894 Fuller ..... 47/46

2,502,049 3/1950 Kaminski ..... 248/300 X  
4,655,000 4/1987 Swick et al. .... 47/44

*Primary Examiner*—Holly Baynham  
*Attorney, Agent, or Firm*—Allan M. Shapiro

[57] **CLAIM**

The ornamental design for a hose holder, as shown and described.

**DESCRIPTION**

FIG. 1 is a perspective view from the top, front and left side of a hose holder, showing my new design;  
FIG. 2 is a rear elevational view thereof;  
FIG. 3 is an elevational view from the right side thereof;  
FIG. 4 is a top plan view thereof; and,  
FIG. 5 is a bottom plan view thereof.

1 Claim, 1 Drawing Sheet

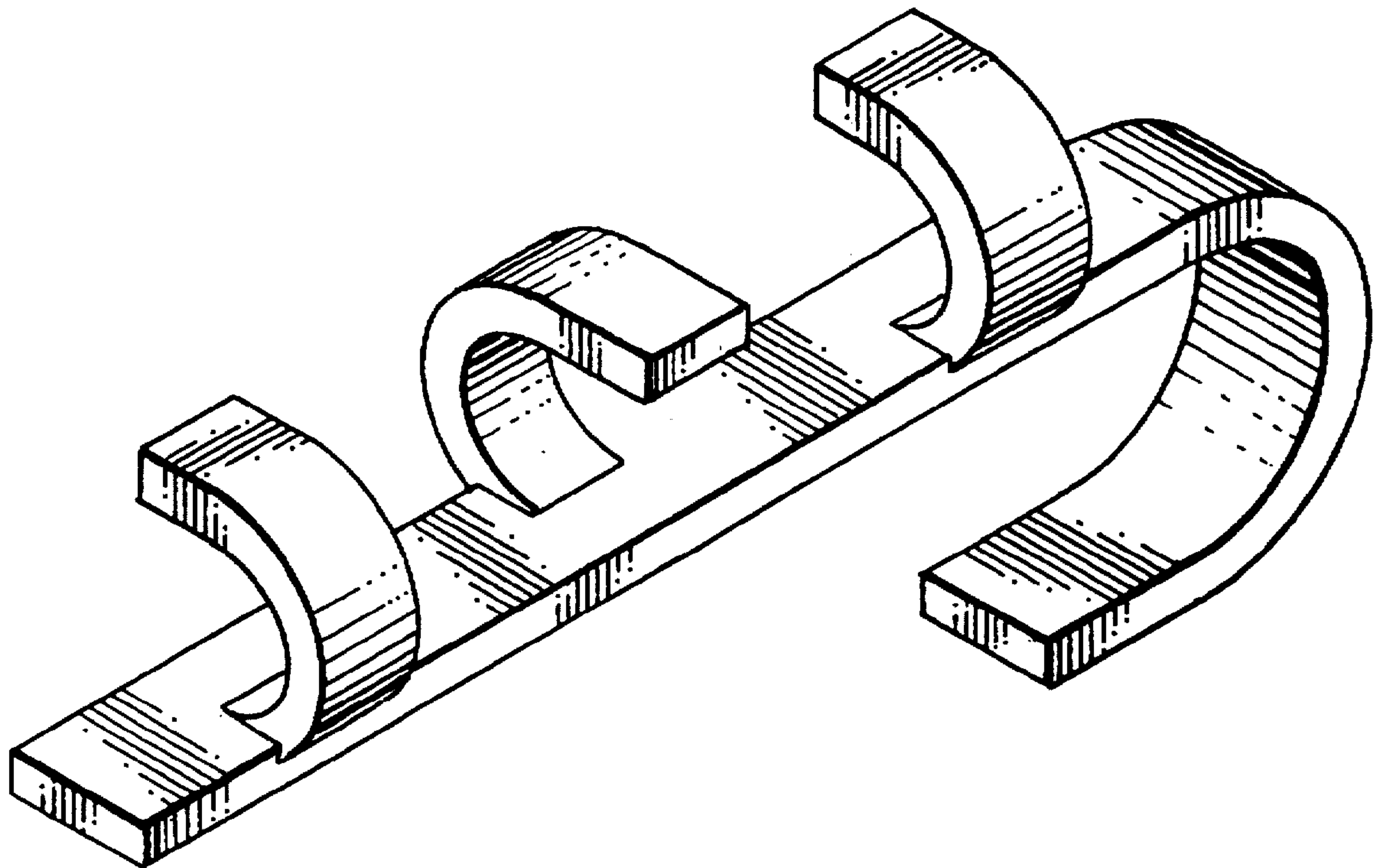


FIG. 2

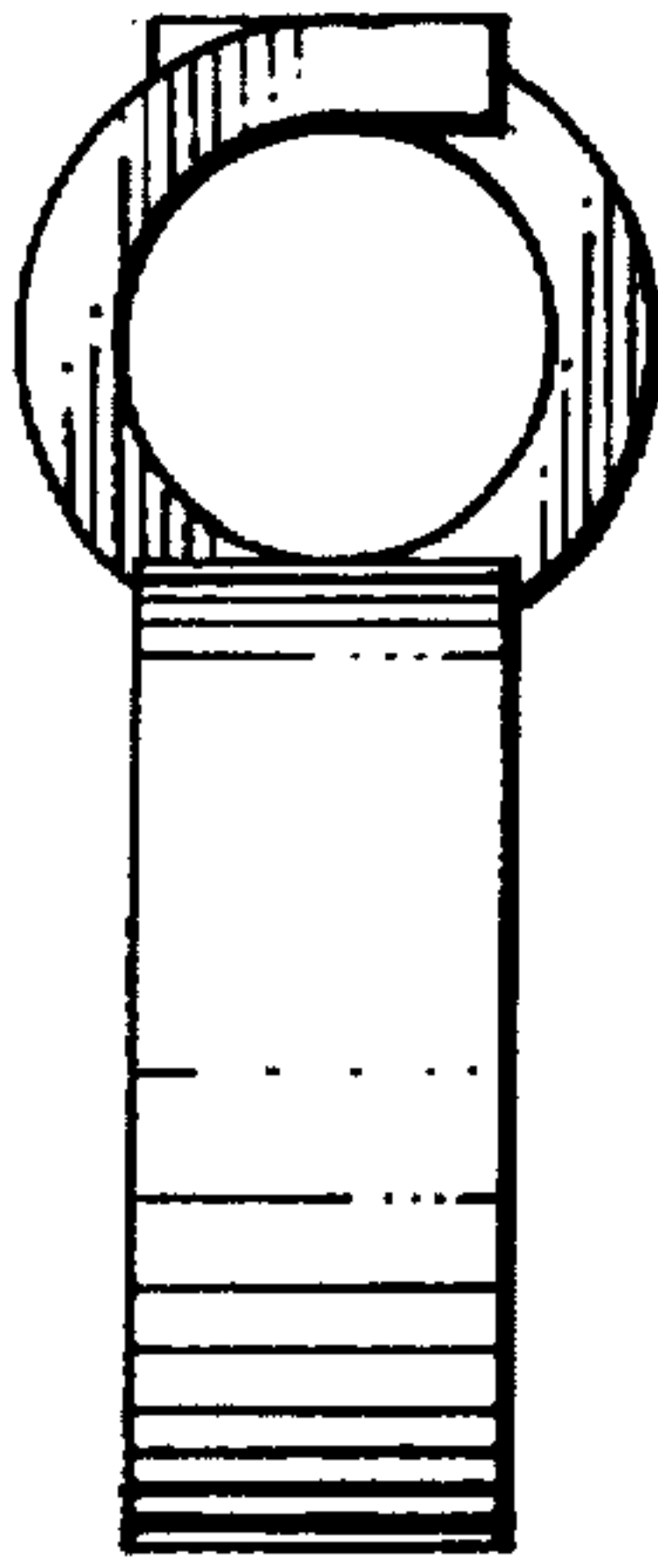


FIG. 1

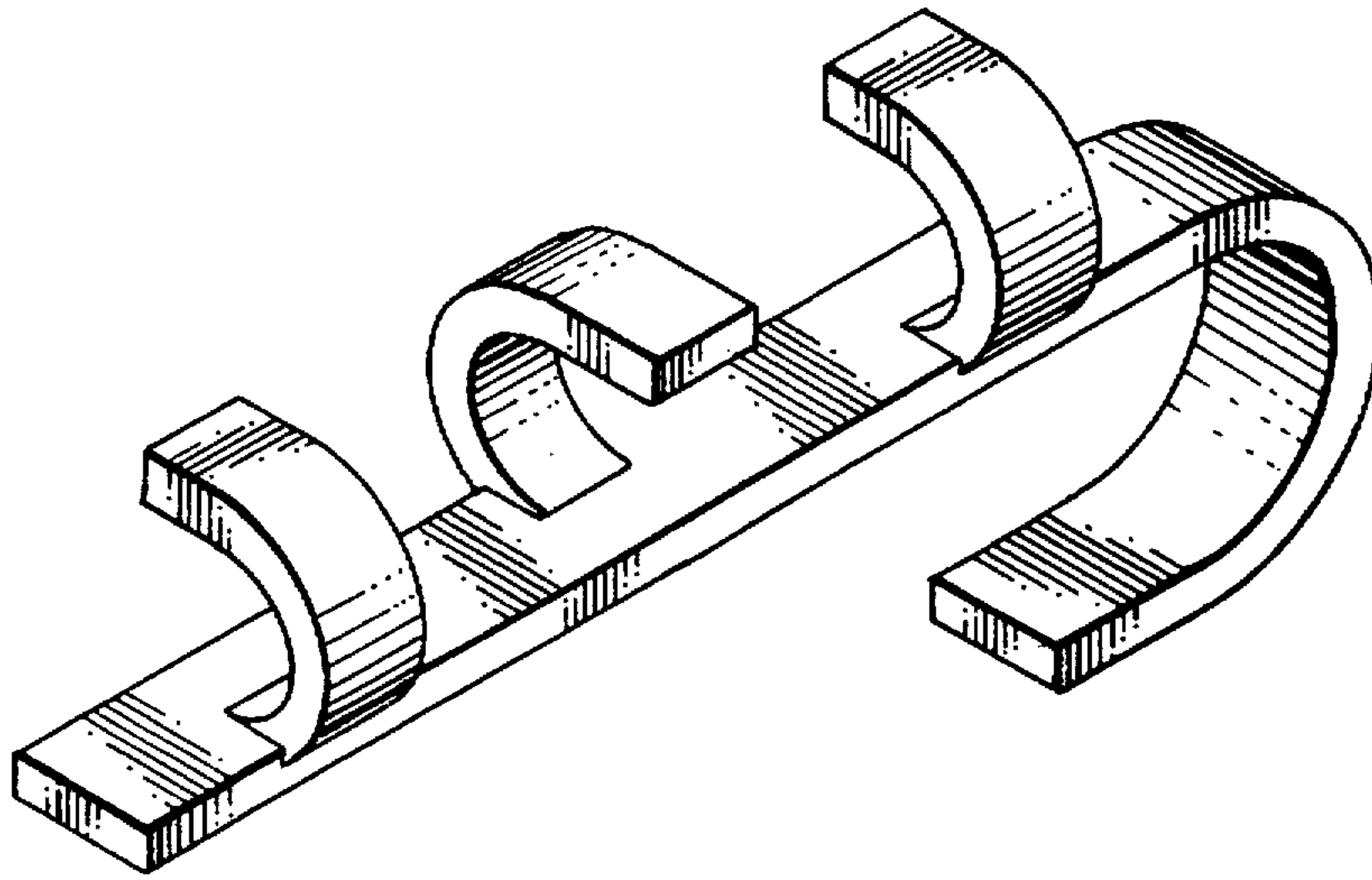


FIG. 3

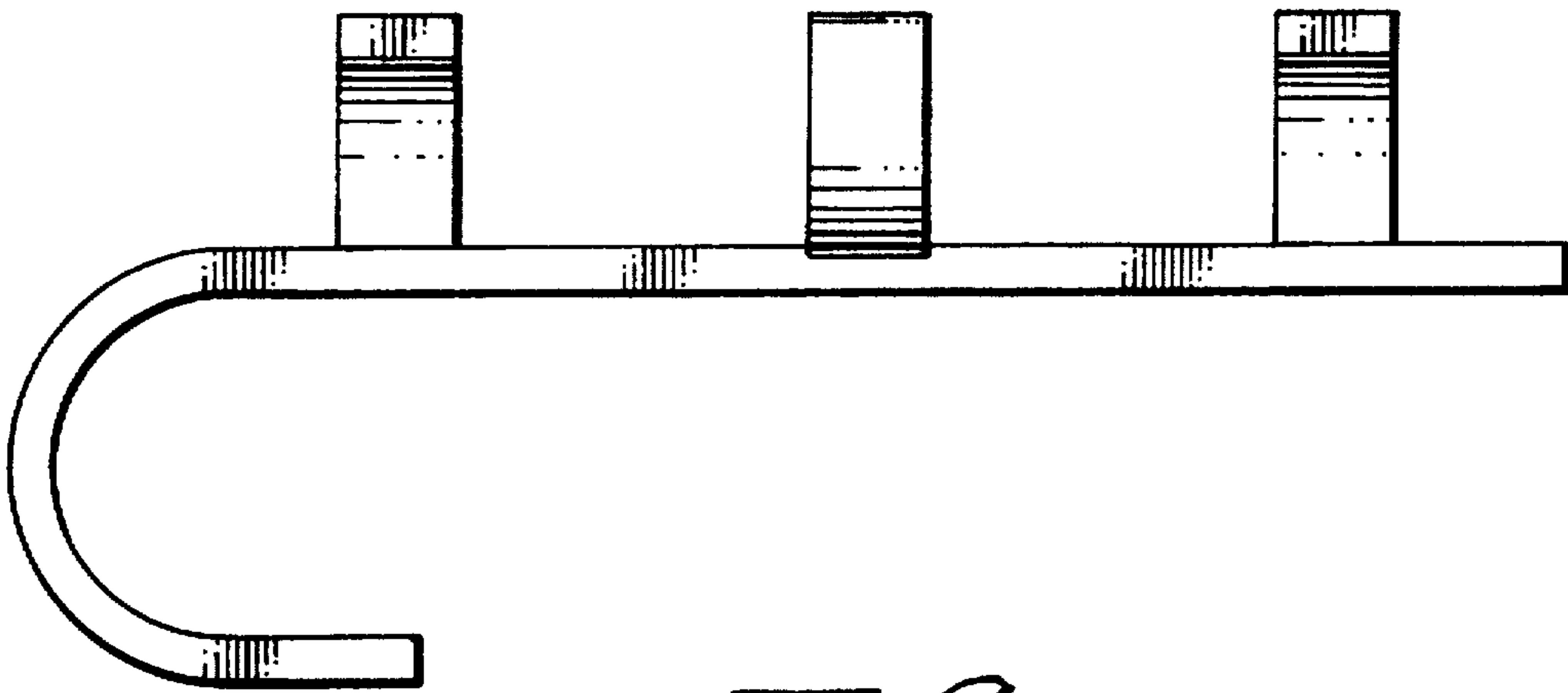


FIG. 4

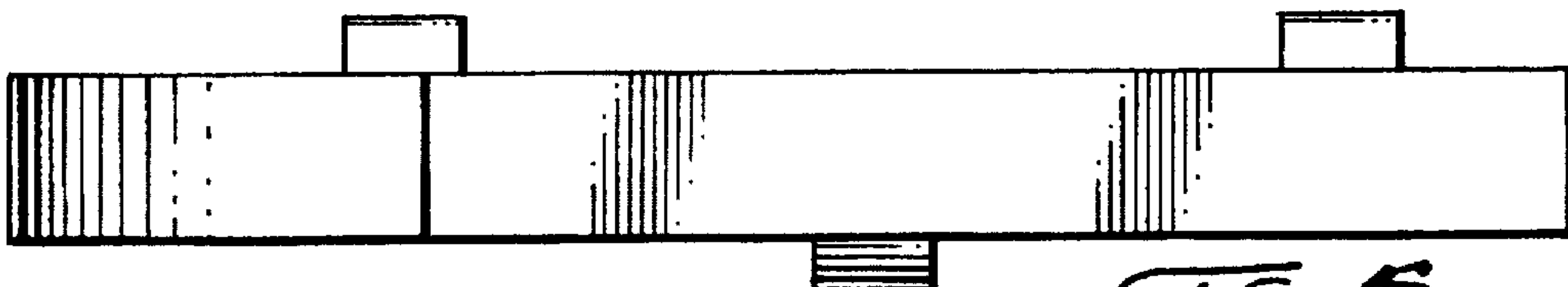
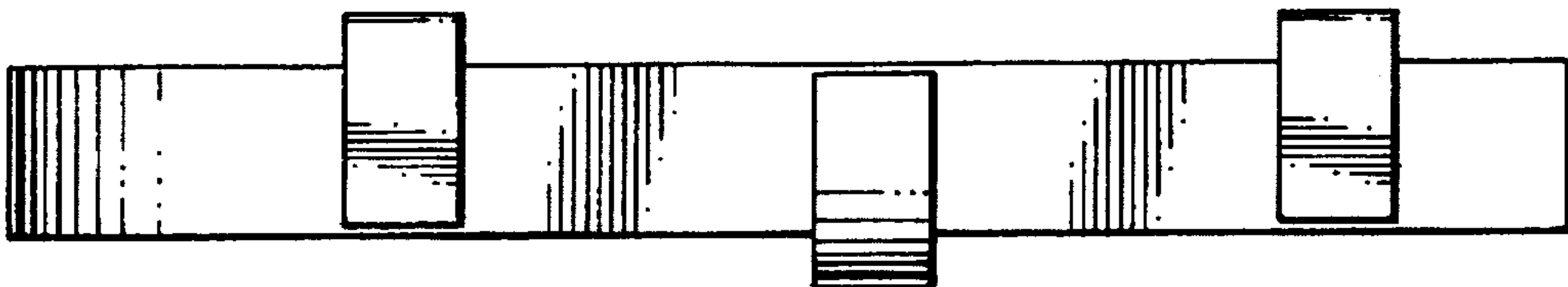


FIG. 5