

US00D408268S

**United States Patent** [19]  
**Dunn**

[11] **Patent Number:** **Des. 408,268**  
[45] **Date of Patent:** **\*\*Apr. 20, 1999**

[54] **REBAR CAP**  
[75] **Inventor:** **Edmund M. Dunn, Philadelphia, Pa.**  
[73] **Assignee:** **Mutual Industries Inc, Philadelphia, Pa.**  
[\*\*] **Term:** **14 Years**  
[21] **Appl. No.:** **29/090,599**  
[22] **Filed:** **Jul. 13, 1998**  
[51] **LOC (6) CL** ..... **08-05**  
[52] **U.S. Cl.** ..... **D8/354**  
[58] **Field of Search** ..... **D8/354, 380, 349;**  
**52/301; D25/135; 138/96 R**

D. 364,334 11/1995 Sandstrom et al. .... D8/354  
D. 376,815 12/1996 Vermillion ..... D8/354

*Primary Examiner*—Holly Baynham  
*Attorney, Agent, or Firm*—John Lezdey & Assoc.

[57] **CLAIM**

The ornamental design for a rebar cap, as shown and described.

**DESCRIPTION**

FIG. 1 is a side perspective view of a rebar cap showing my new design, the opposite side being a mirror image;  
FIG. 2 is a top view thereof;  
FIG. 3 is a bottom view thereof; and,  
FIG. 4 is a side view thereof, the opposite side being a mirror image.

[56] **References Cited**  
**U.S. PATENT DOCUMENTS**

D. 363,657 10/1995 Dunn ..... D8/354

**1 Claim, 1 Drawing Sheet**

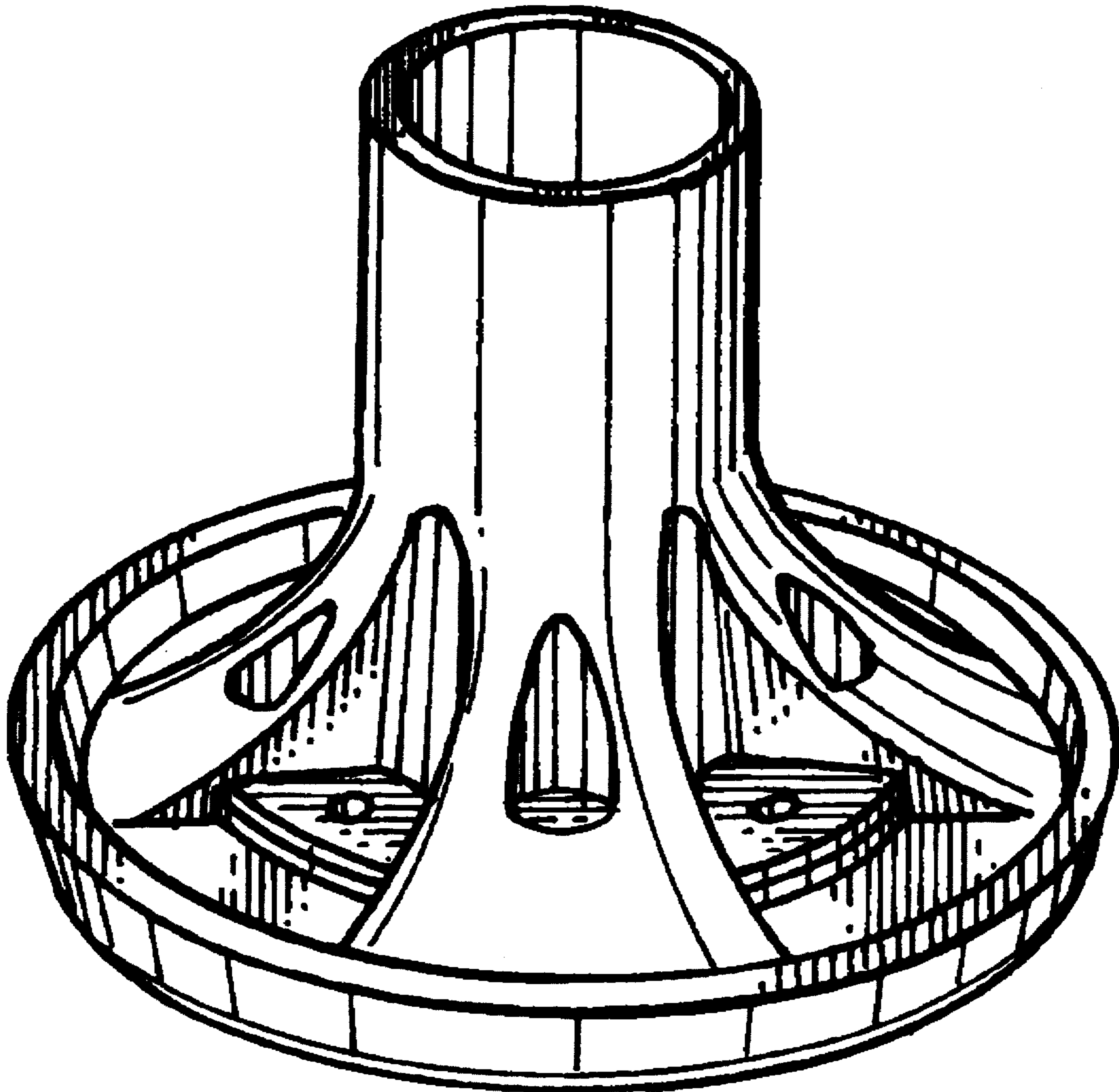


FIG. 1

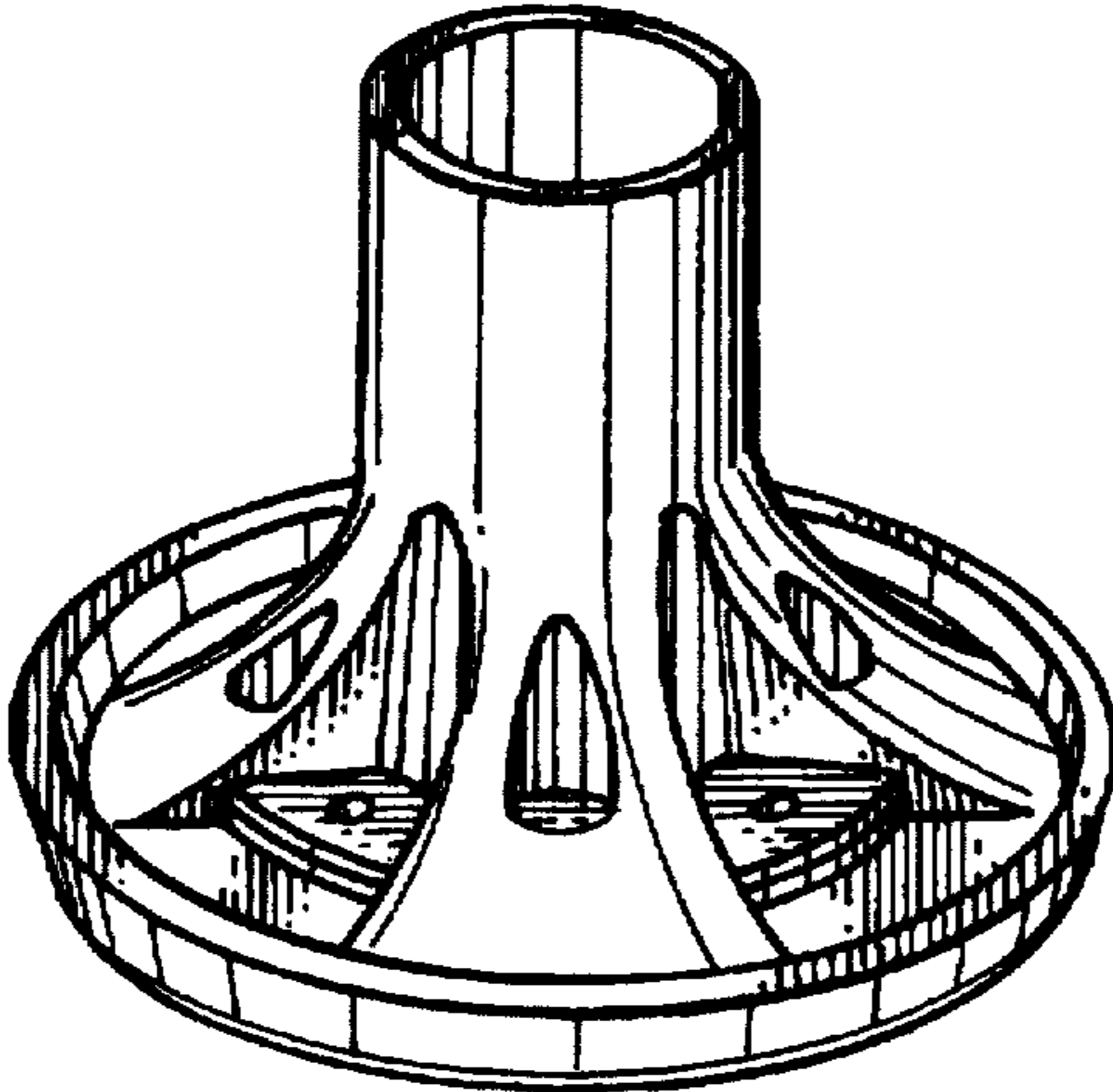


FIG. 2

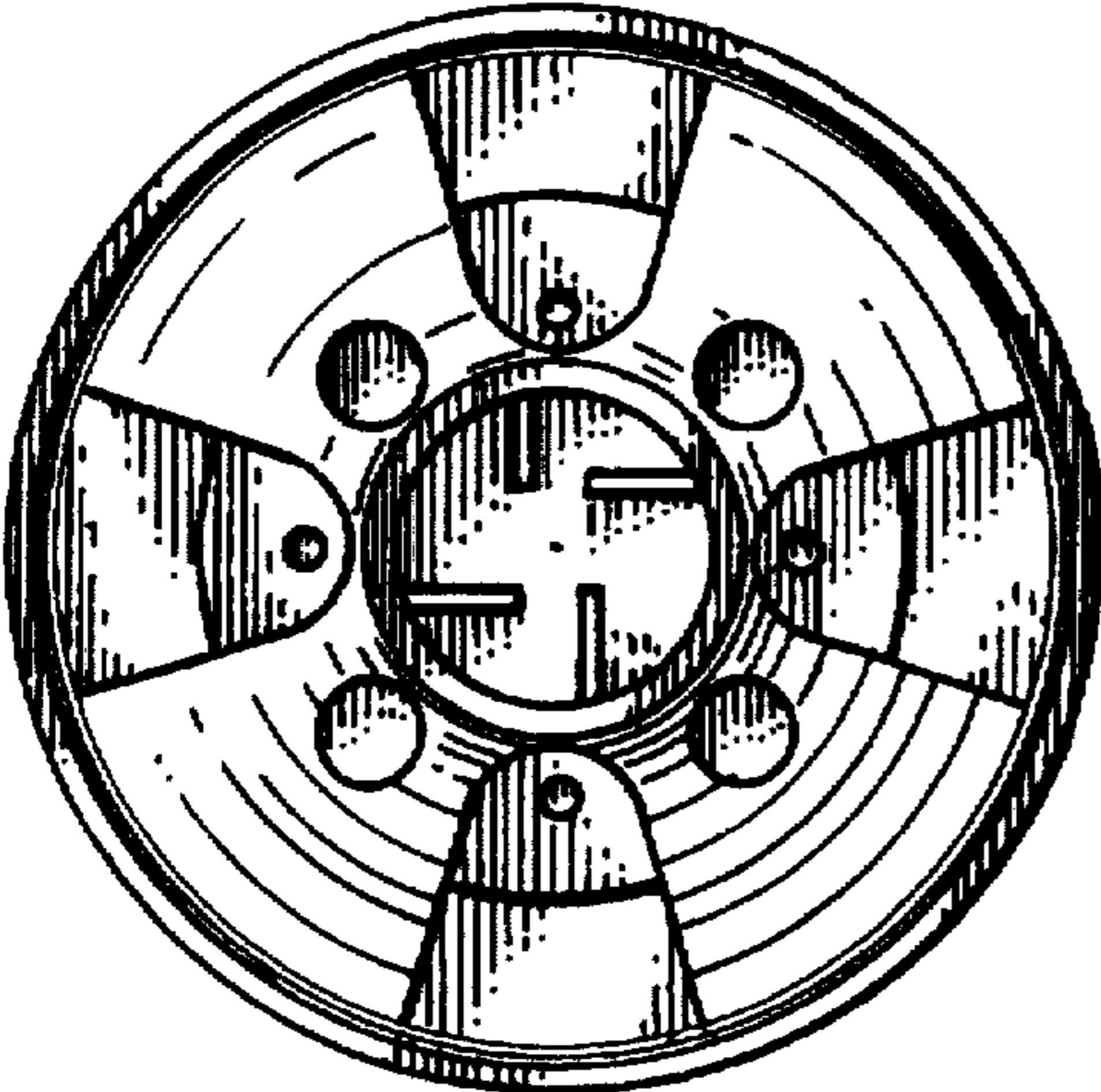


FIG. 3

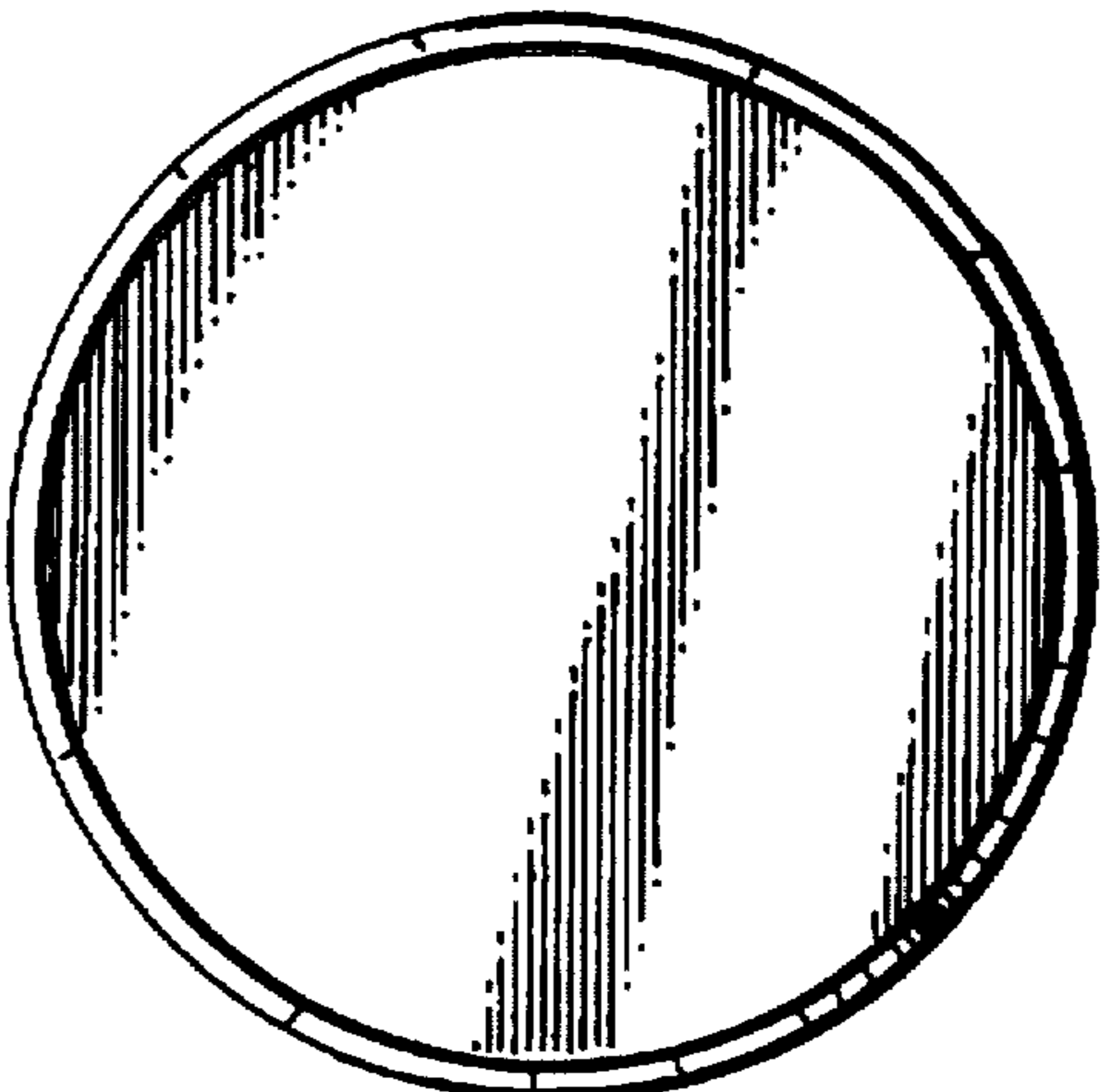


FIG. 4

