



US00D408267S

United States Patent [19]

[11] Patent Number: Des. 408,267

Egigian et al.

[45] Date of Patent: **Apr. 20, 1999

[54] **TIE-DOWN BRACKET**

[75] Inventors: **Donald S. Egigian**, Newport Beach;
Donald R. Speece, Huntington Beach,
both of Calif.

[73] Assignee: **Bull Accessories, LLC**, Brea, Calif.

[**] Term: **14 Years**

[21] Appl. No.: **29/088,512**

[22] Filed: **May 26, 1998**

[51] LOC (6) CL **08-05**

[52] U.S. Cl. **D8/354**

[58] Field of Search D8/349, 354; 248/499,
248/551; 294/1.1; 24/265 CD

[56] **References Cited**

U.S. PATENT DOCUMENTS

4,630,982	12/1986	Fenner	248/499 X
4,699,410	10/1987	Seidel	294/1.1
5,456,443	10/1995	Taaffe	248/499 X

Primary Examiner—Holly Baynham

Attorney, Agent, or Firm—G. Donald Weber, Jr.

[57] **CLAIM**

The ornamental design for a tie-down bracket, as shown and described.

DESCRIPTION

FIG. 1 is an exploded view of the tie-down bracket of the instant invention which is provided to illustrate the several

components of the assembly in order to enhance the description of the other Figures.

FIG. 2 is an oblique view of the tie-down bracket of the instant invention with the tie-down ring in the raised position.

FIG. 3 is an oblique view of the tie-down bracket of the instant invention with the tie-down ring in the lowered position.

FIG. 4 is a top plan view of the tie-down bracket of the instant invention

FIG. 5 is a bottom plan view of the tie-down bracket of the instant invention

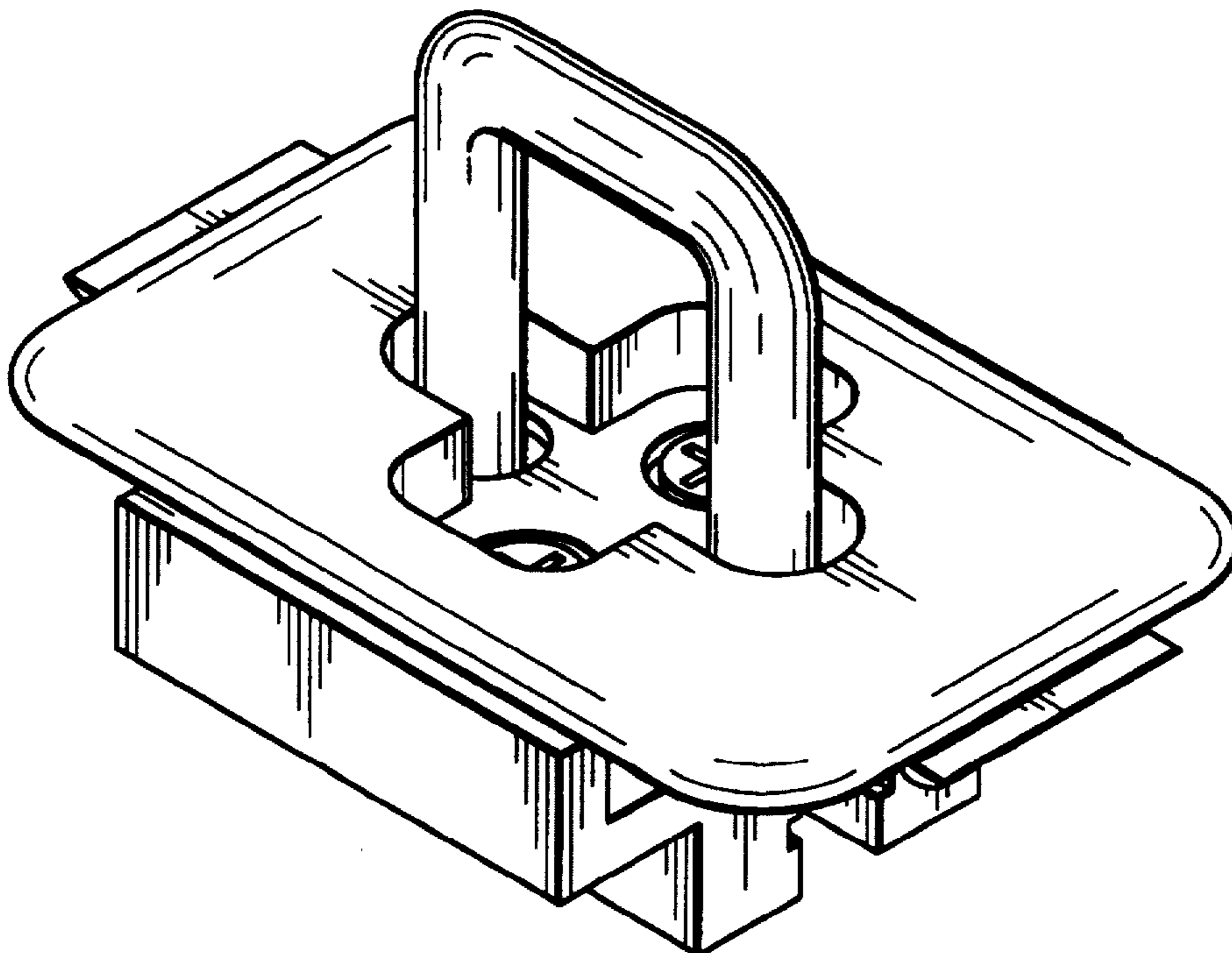
FIG. 6 is a side elevation view of the tie-down bracket of the instant invention with the tie-down ring in the raised position as shown in FIG. 2. The opposite side elevation view is the mirror image.

FIG. 7 is a side elevation view of the tie-down bracket of the instant invention with the tie-down ring in the lowered position as shown in FIG. 3. The opposite side elevation view is the mirror image.

FIG. 8 is an end elevation view of the tie-down bracket of the instant invention with the tie-down ring in the raised position as shown in FIG. 2. The opposite end elevation view is the mirror image; and,

FIG. 9 is an end elevation view of the tie-down bracket of the instant invention with the tie-down ring in the lowered position as shown in FIG. 3. The opposite end elevation view is the mirror image.

1 Claim, 3 Drawing Sheets



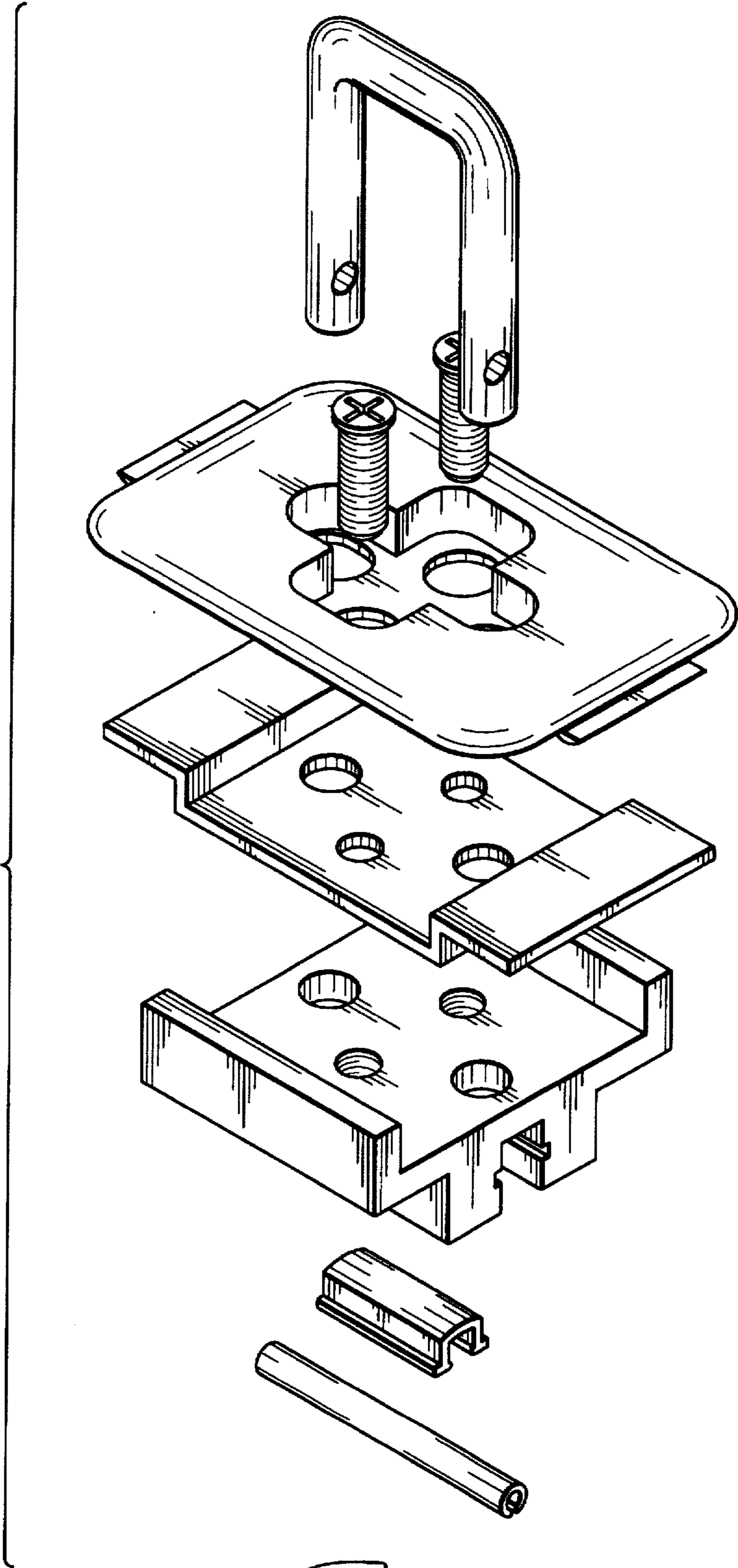


Fig 1

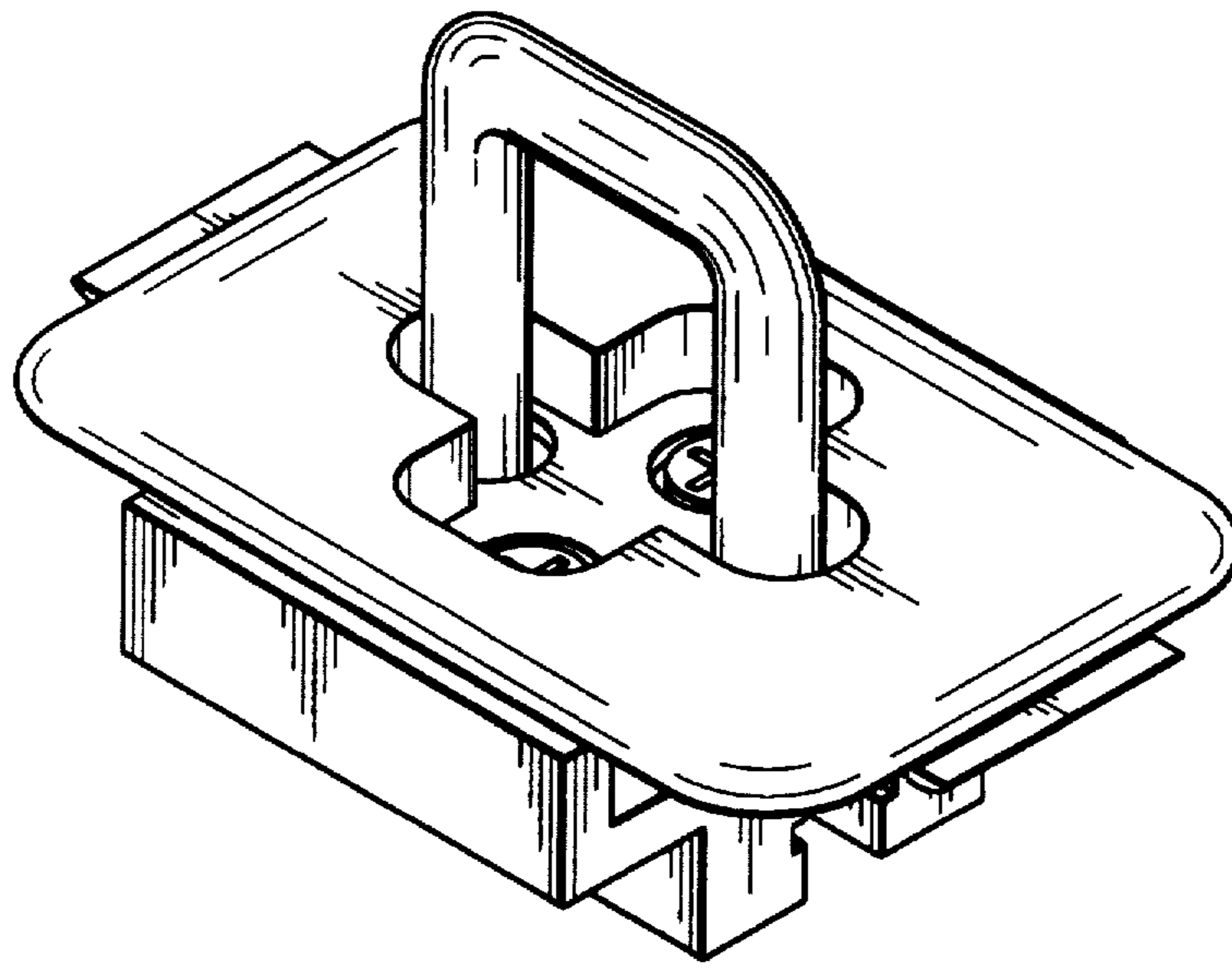


Fig 2

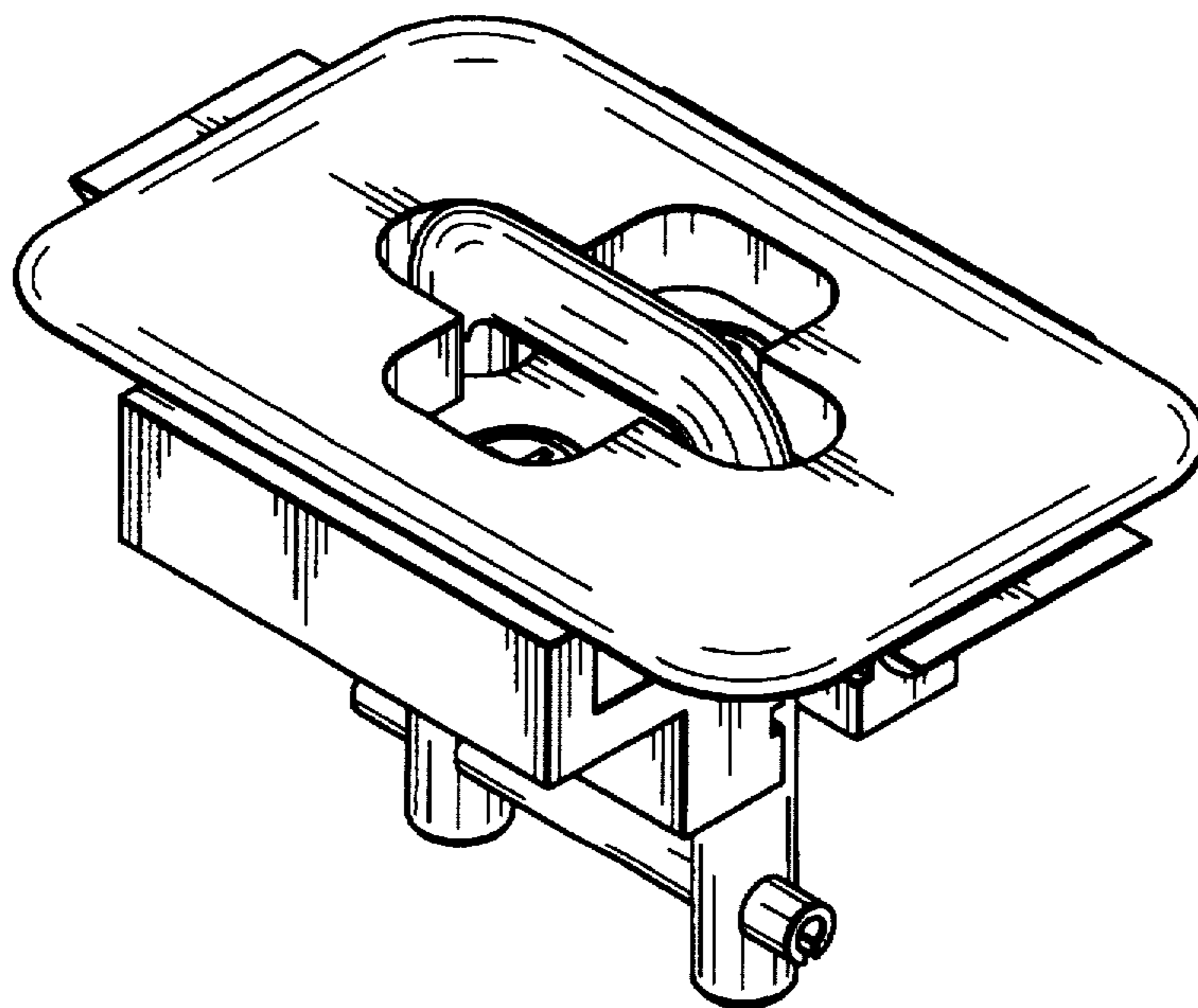


Fig 3

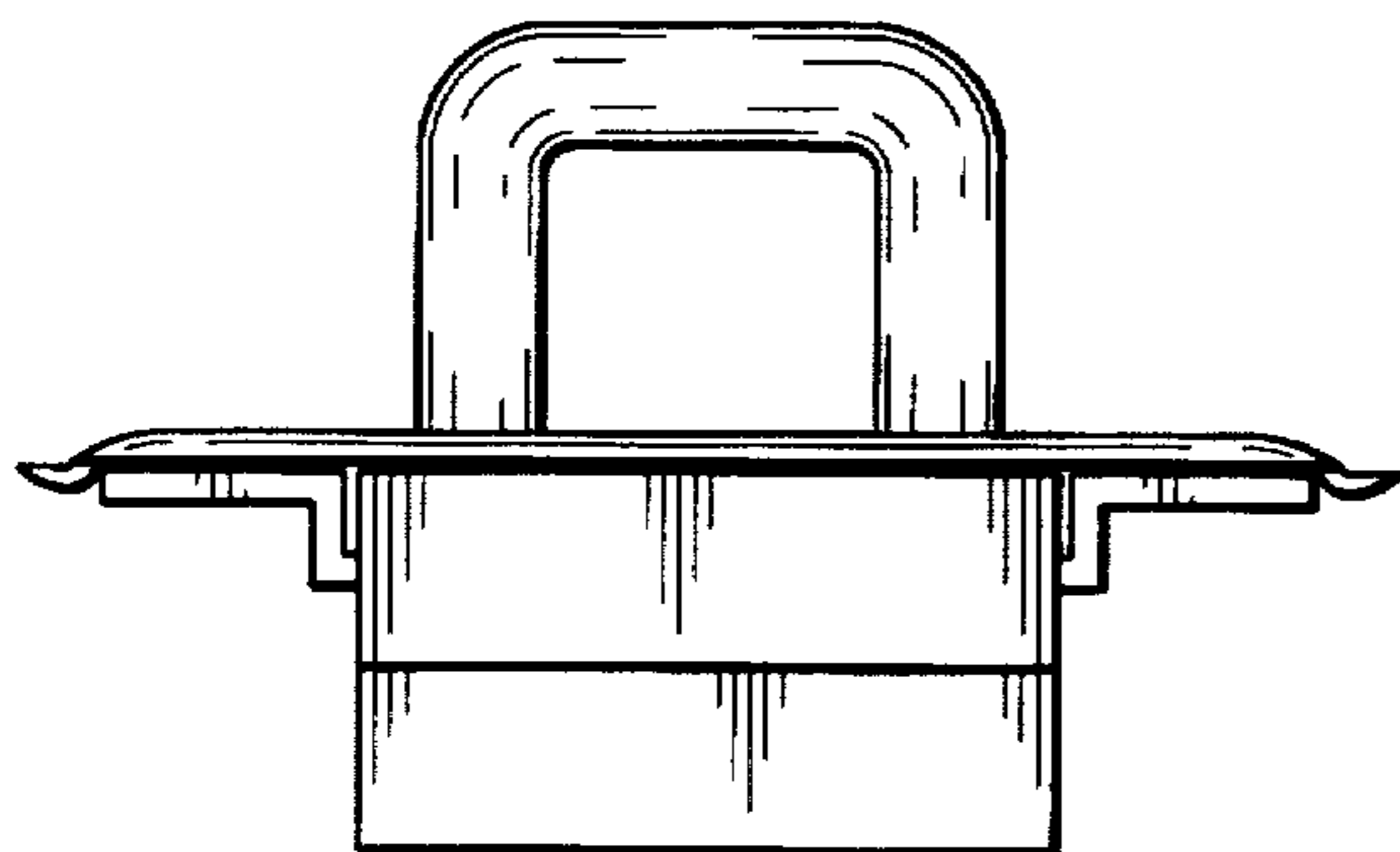
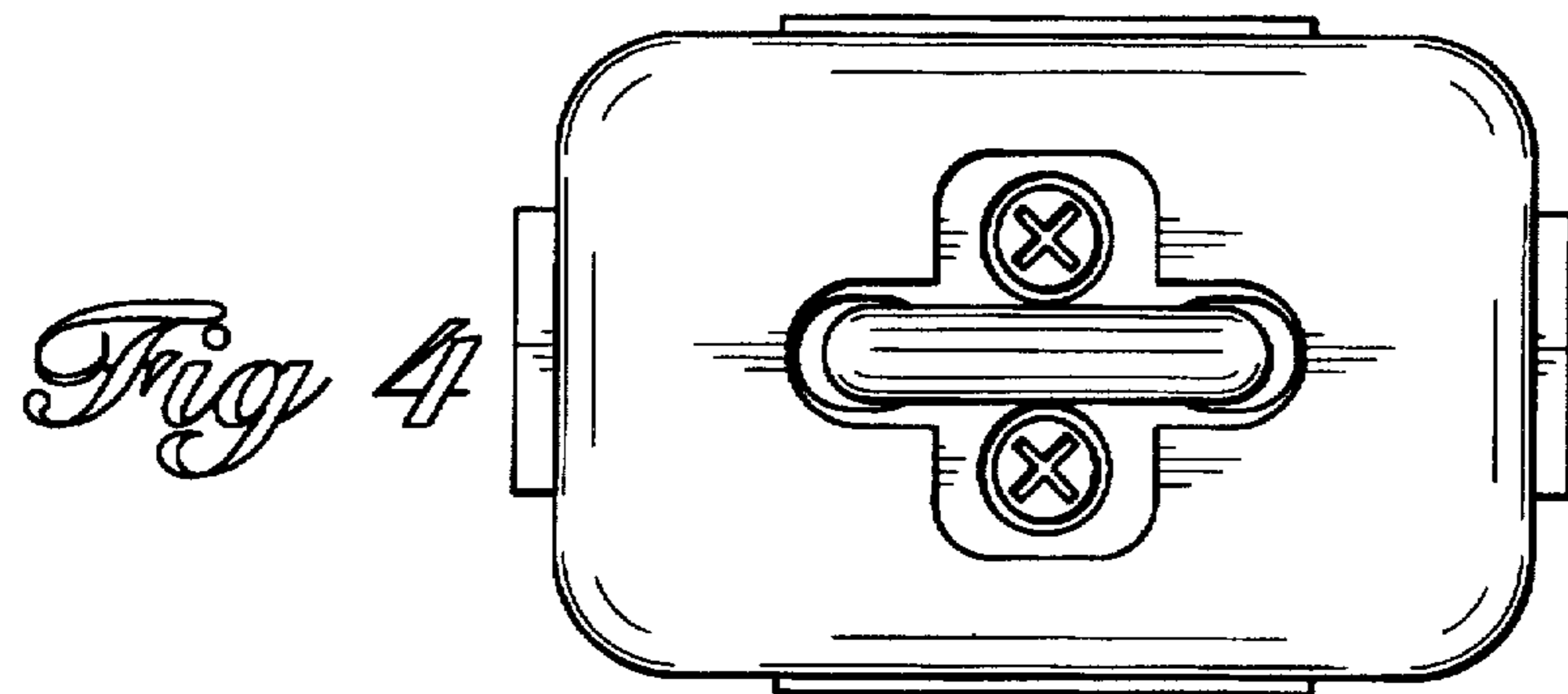


Fig 6

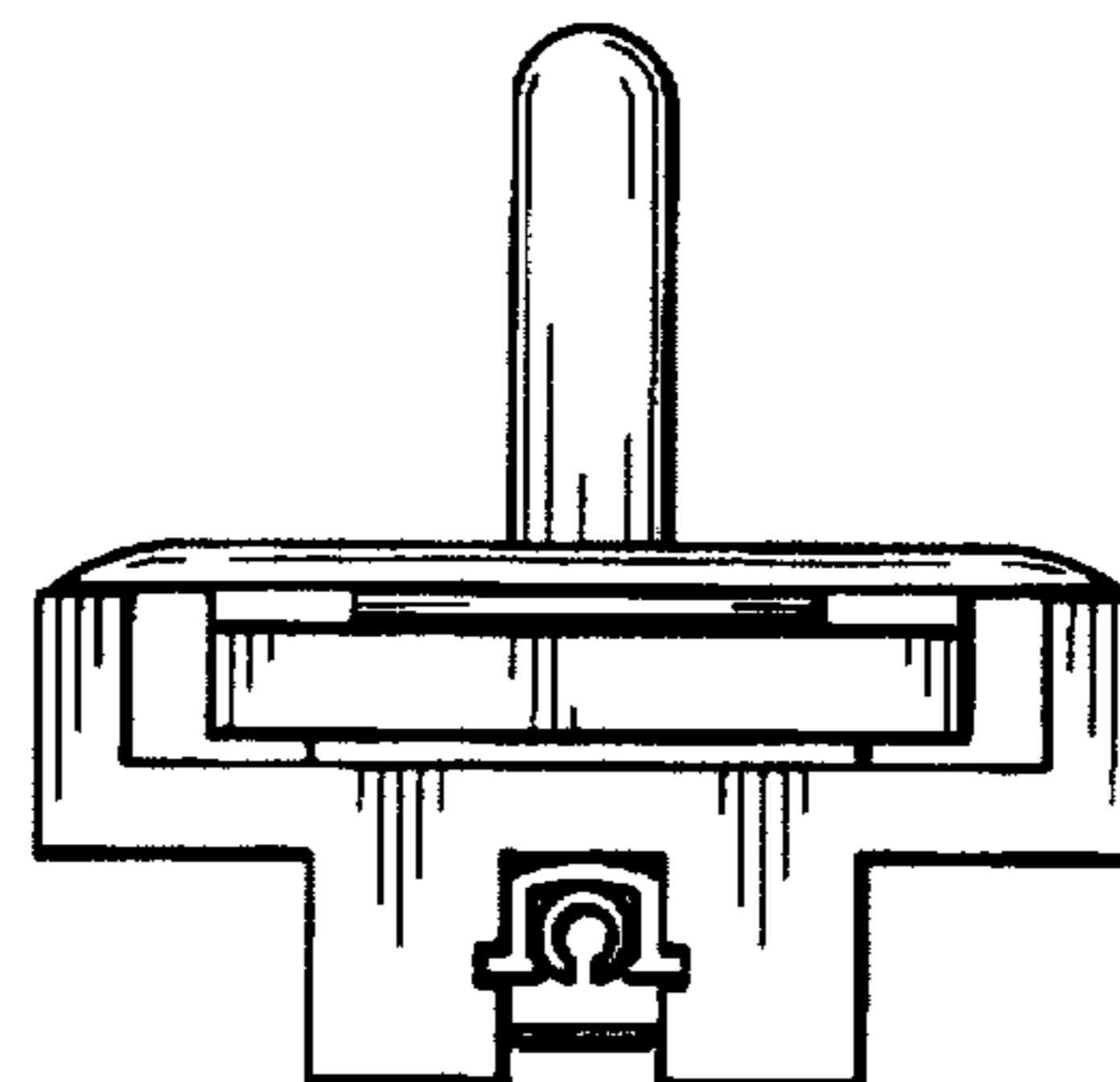


Fig 8

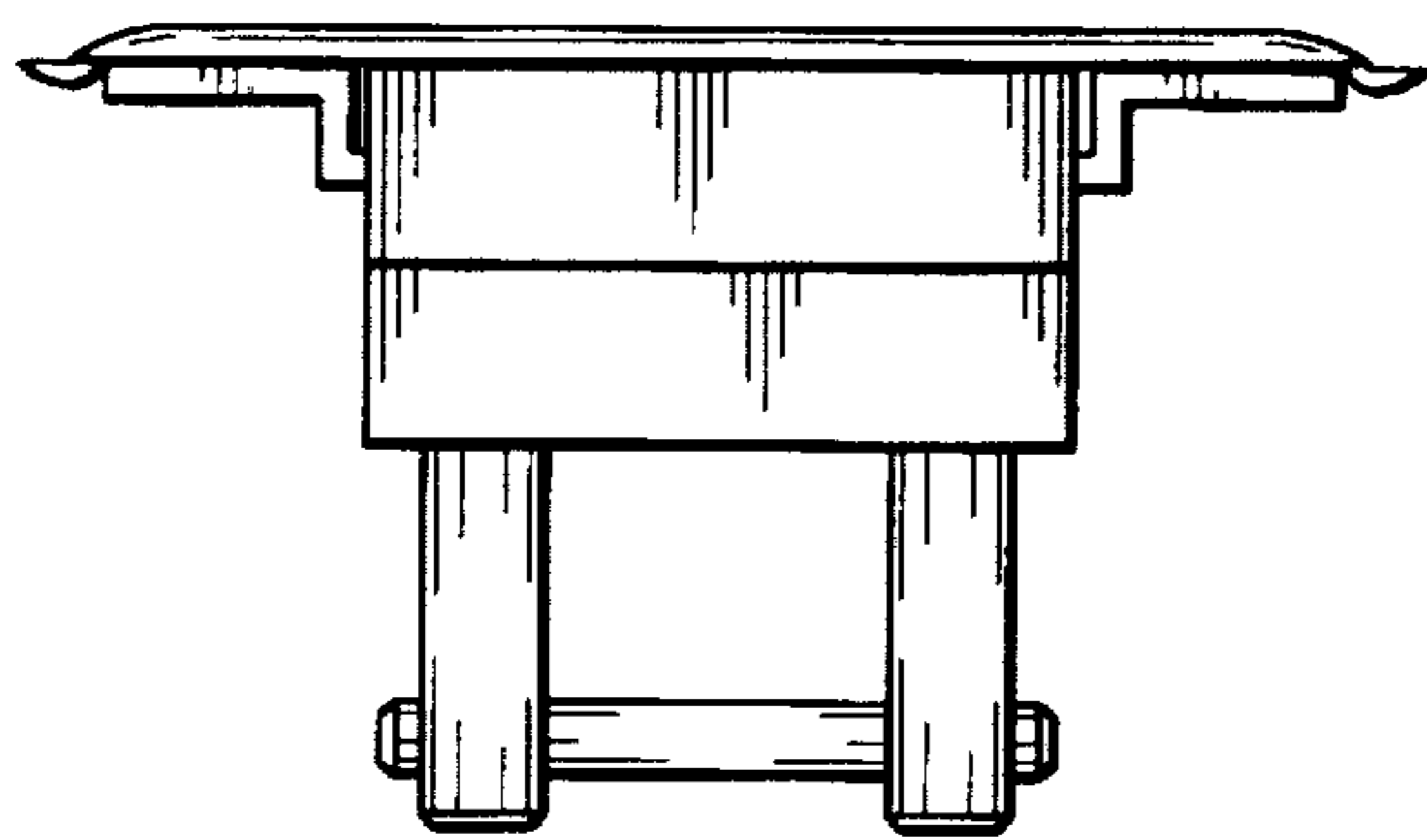


Fig 7

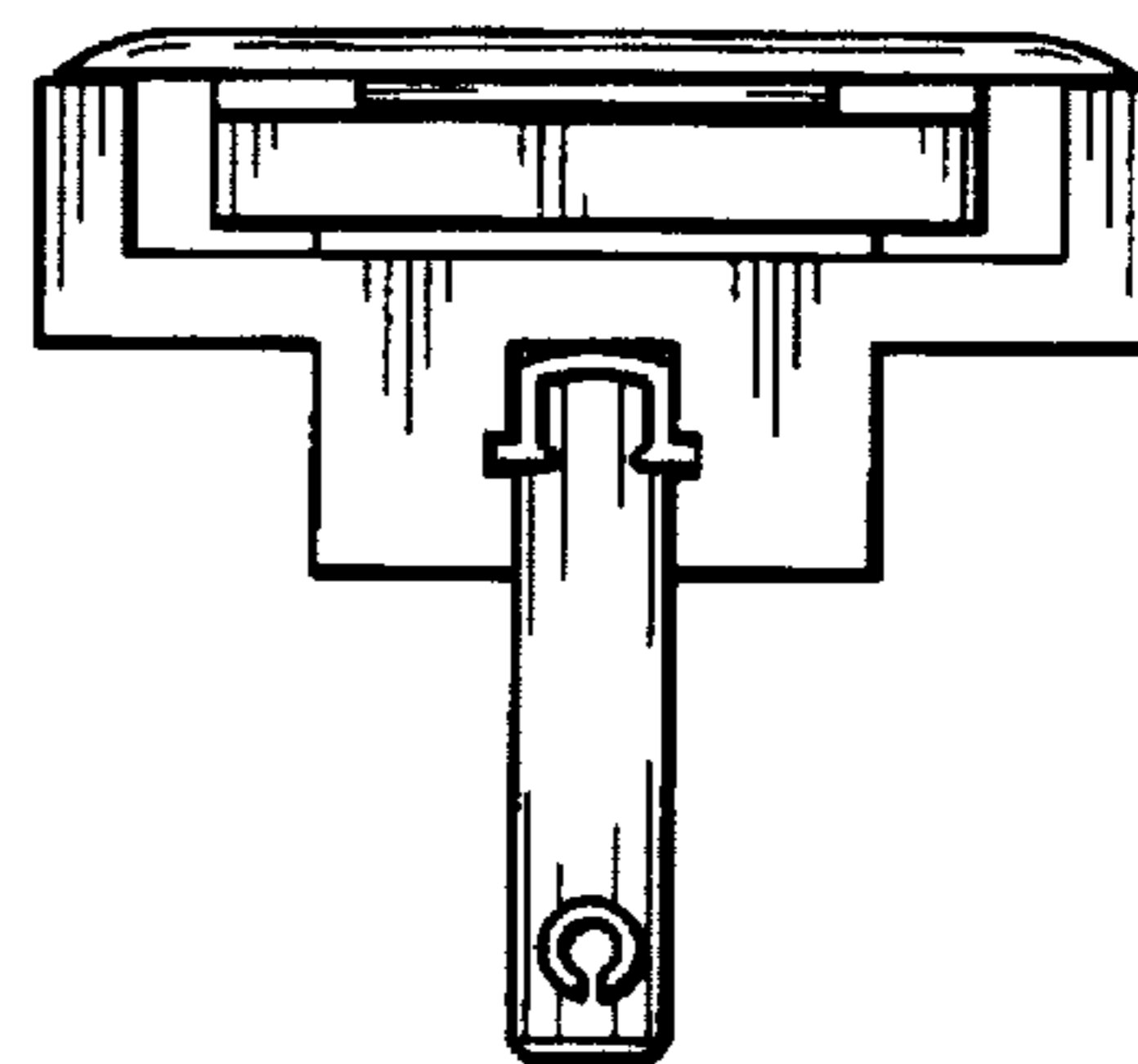


Fig 9

