



US00D408266S

United States Patent [19]
Santiago

[11] **Patent Number: Des. 408,266**

[45] **Date of Patent: **Apr. 20, 1999**

[54] **PANEL SUPPORT**

[76] **Inventor: John V. Santiago, 7 Siplely Rd.,
Blairstown, N.J. 07825**

[**] **Term: 14 Years**

[21] **Appl. No.: 29/085,966**

[22] **Filed: Apr. 1, 1998**

[51] **LOC (6) CL 08-05**

[52] **U.S. Cl. D8/354**

[58] **Field of Search D8/349, 354, 380;
248/300, 200, 201, 27.1; D6/495; 52/741.14**

[56] **References Cited**

U.S. PATENT DOCUMENTS

D. 299,809 2/1989 Hagedorn D8/373
4,296,584 10/1981 Lempa, Jr. D8/354 X

Primary Examiner—Holly Baynham
Attorney, Agent, or Firm—Siegmar Silber

[57] **CLAIM**

The ornamental design for a panel support, as shown and described.

DESCRIPTION

FIG. 1 is a perspective view of a panel support;

FIG. 2 is a perspective view thereof shown in another environment;

FIG. 3 is a left side elevational view of FIG. 1, the right side elevational view not being shown as it is a mirror image of the left side elevational view;

FIG. 4 is a front elevational view of FIG. 1;

FIG. 5 is a top plan view of FIG. 1;

FIG. 6 is a bottom plan view of FIG. 1;

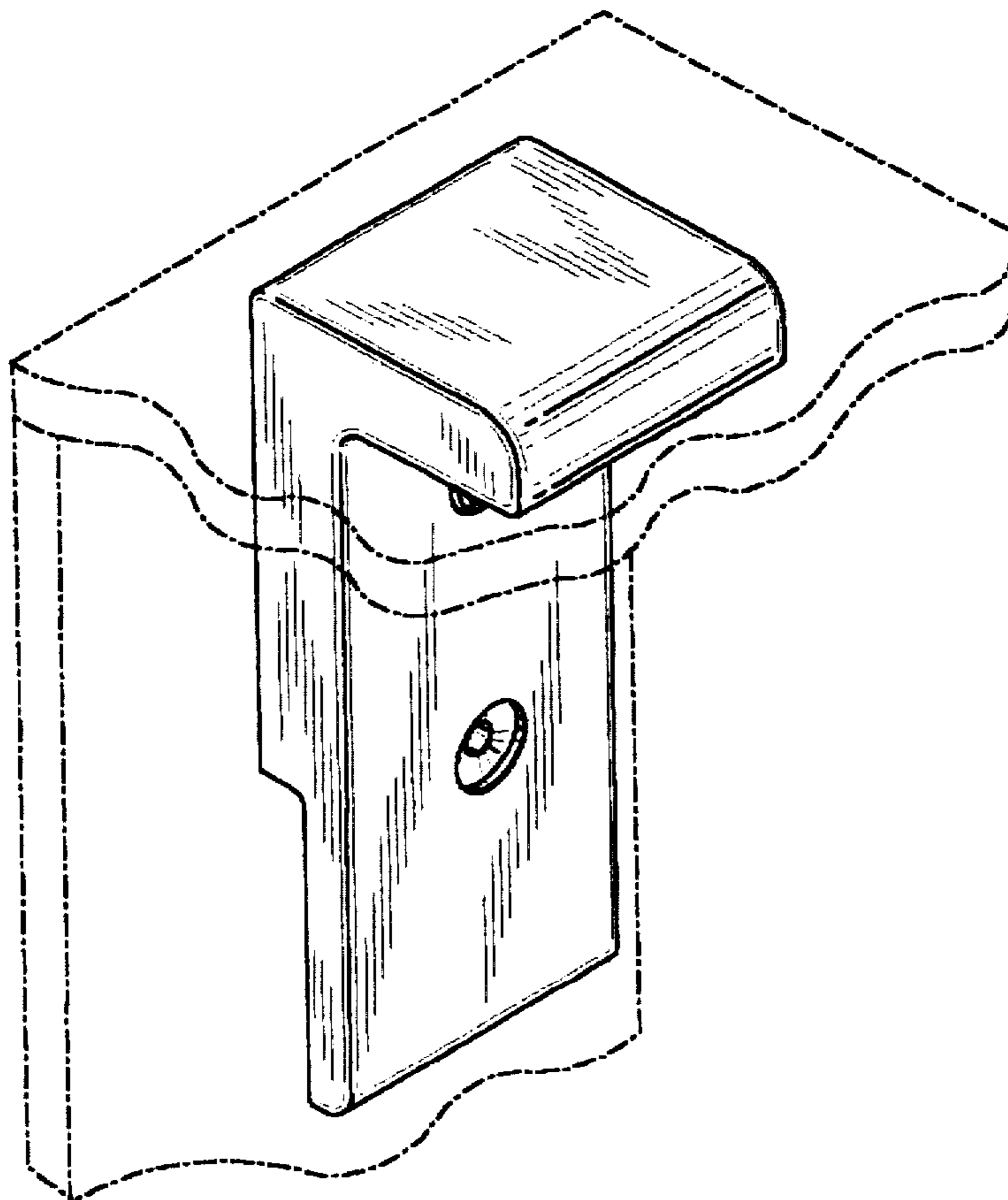
FIG. 7 is a rear elevational view of FIG. 1; and,

FIG. 8 is a top plan view of a second embodiment of the panel support similar to FIG. 1.

In the second embodiment, the bottom plan view and the front, rear, and side elevational views are not shown as these views are identical to corresponding views of the first embodiment.

The broken line showing of a partial wall and of a partial ceiling is for illustrative purposes only and forms no part of thw design.

1 Claim, 2 Drawing Sheets



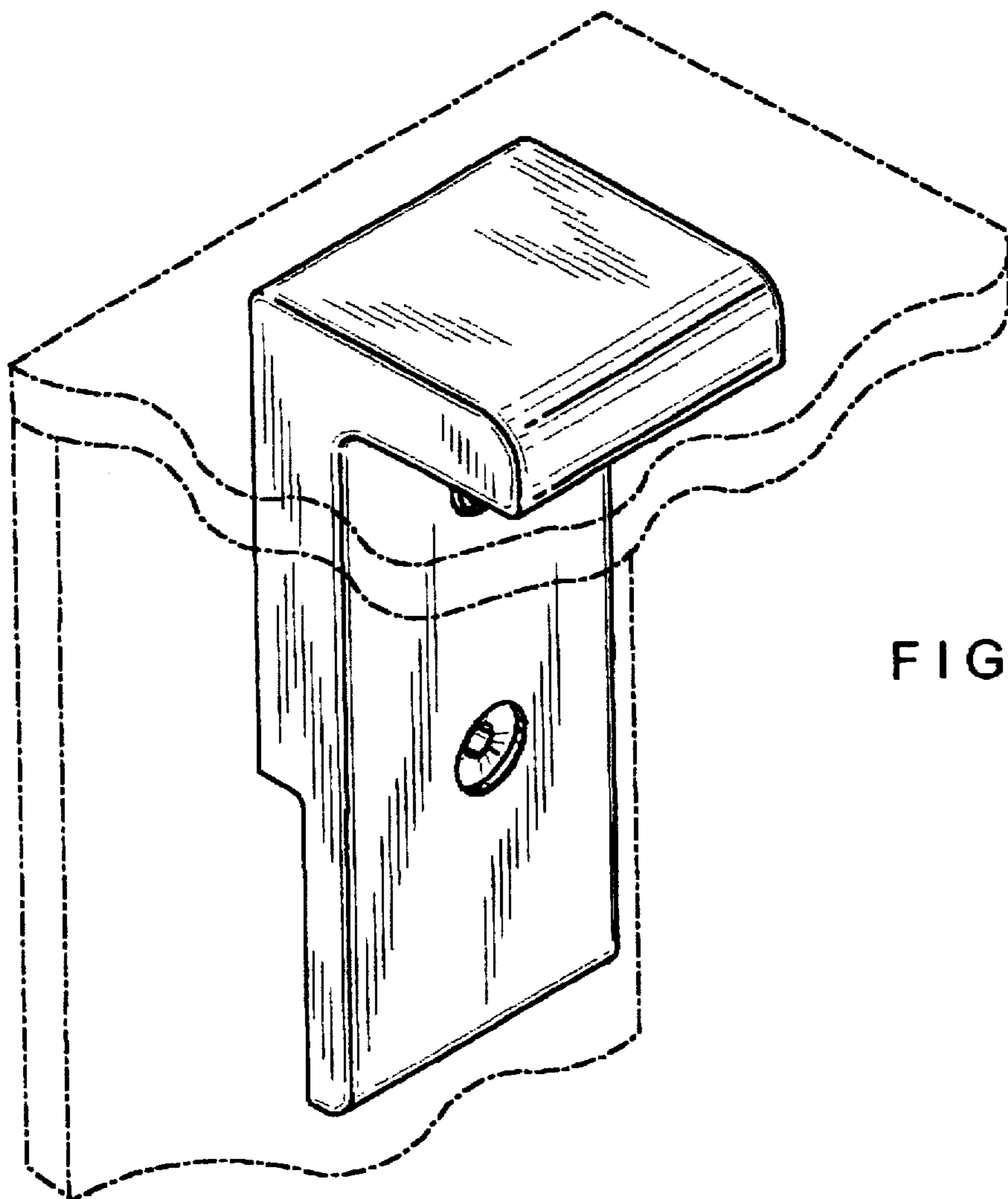


FIG. 1

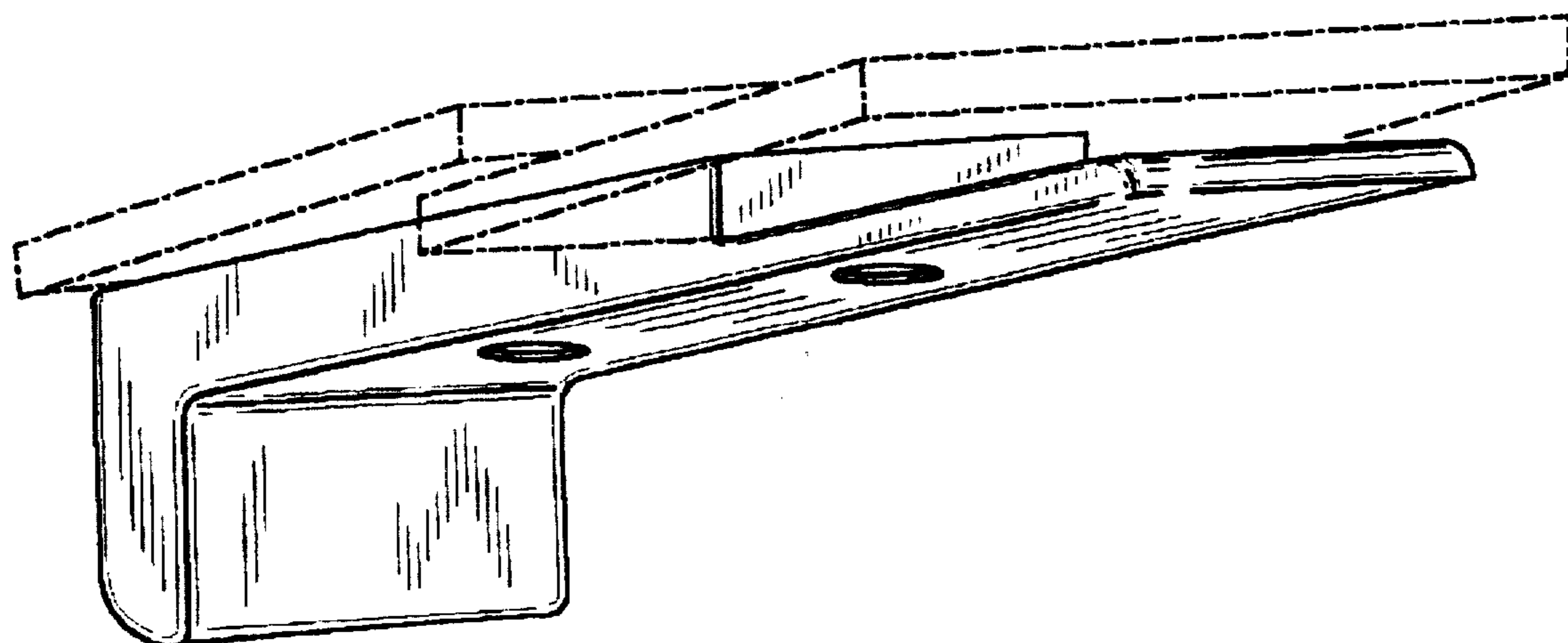


FIG. 2

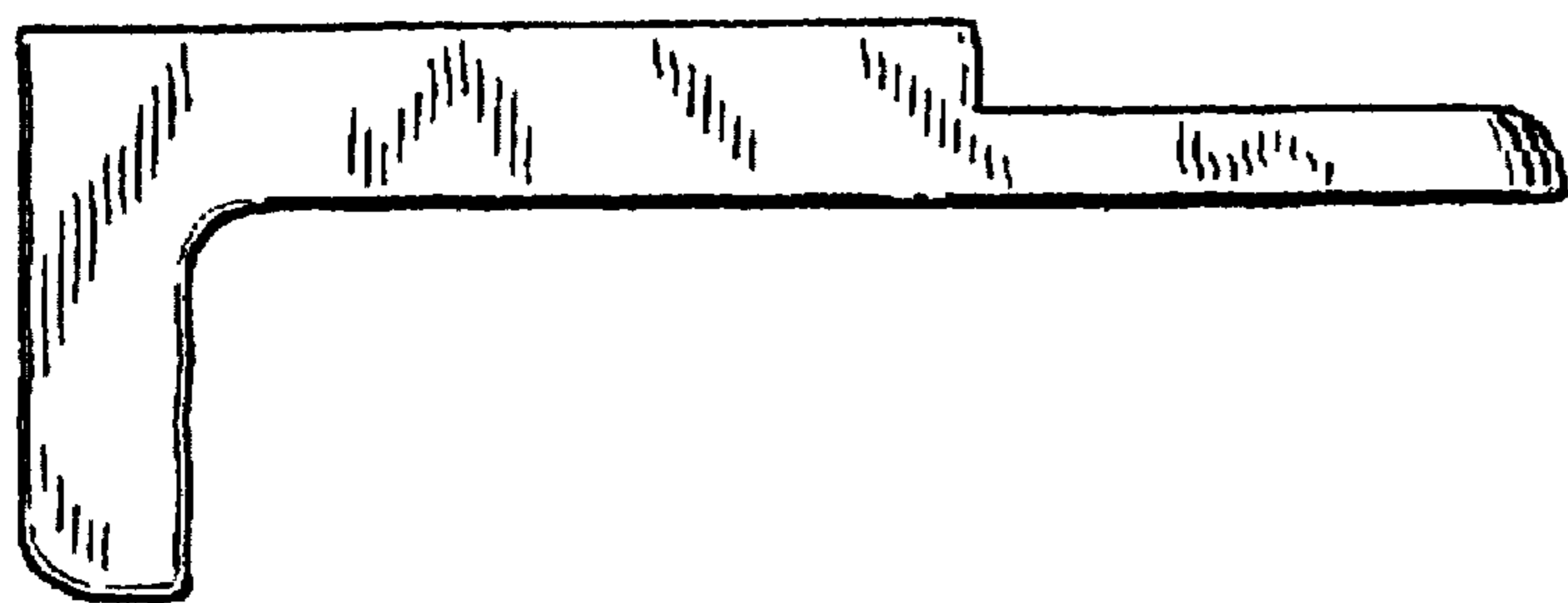


FIG. 3

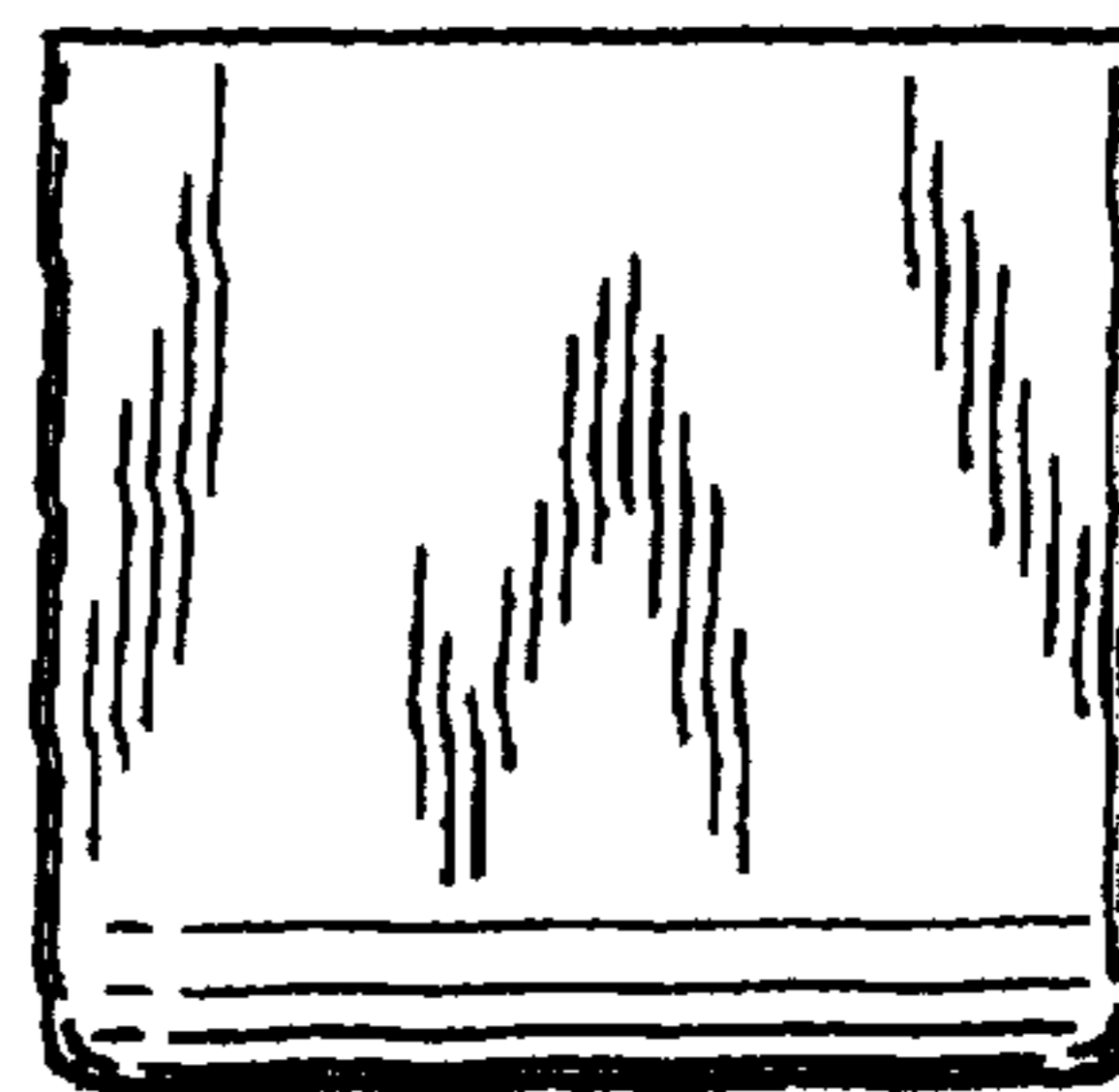


FIG. 4

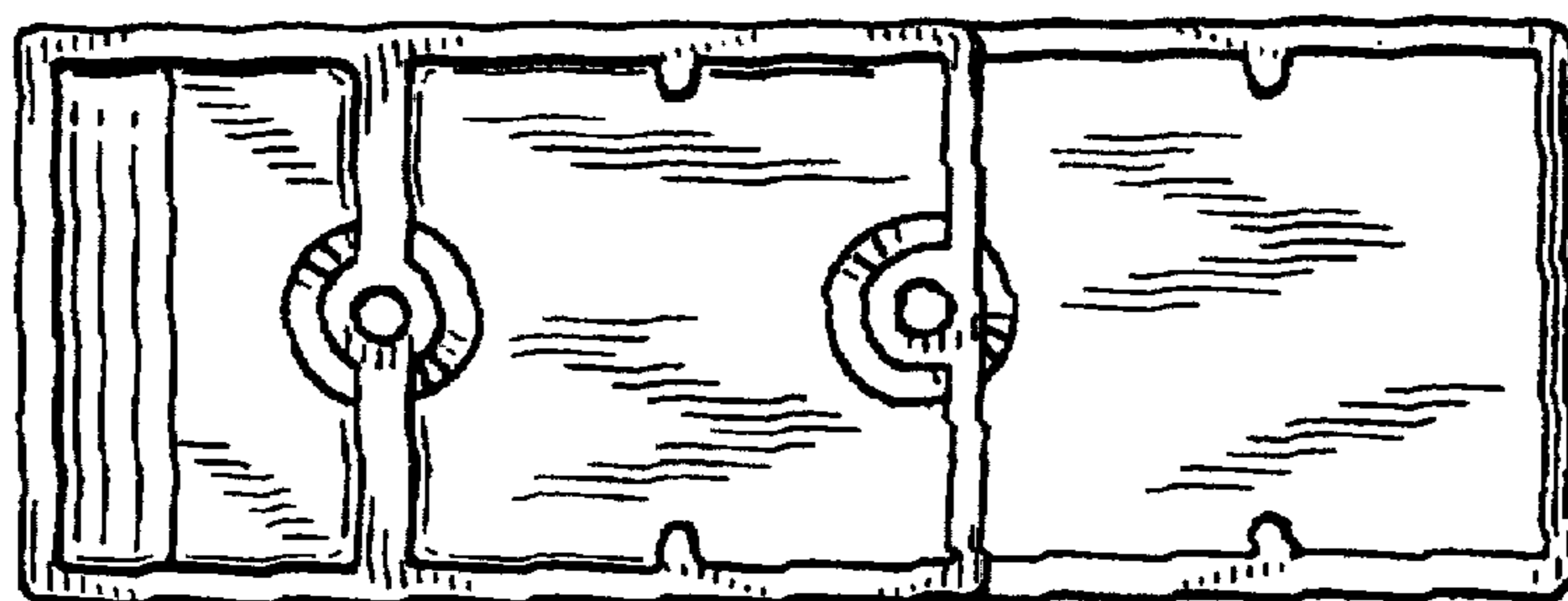


FIG. 5

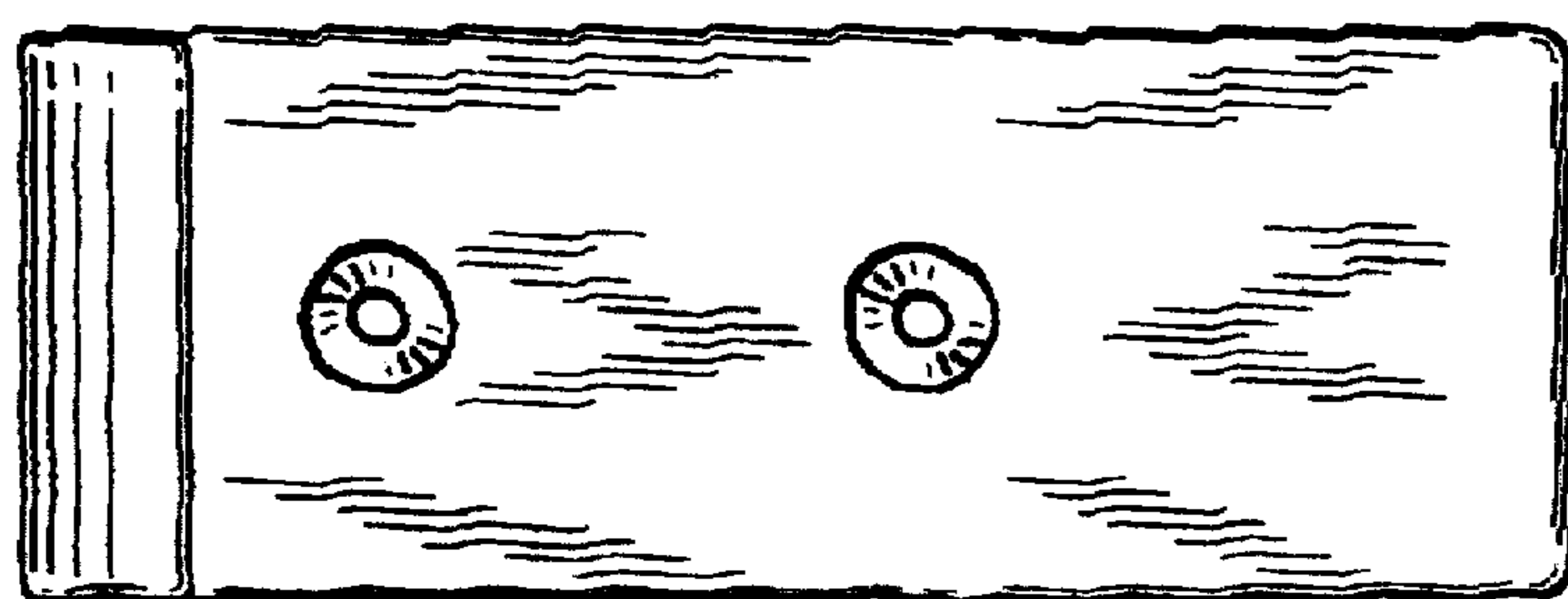


FIG. 6

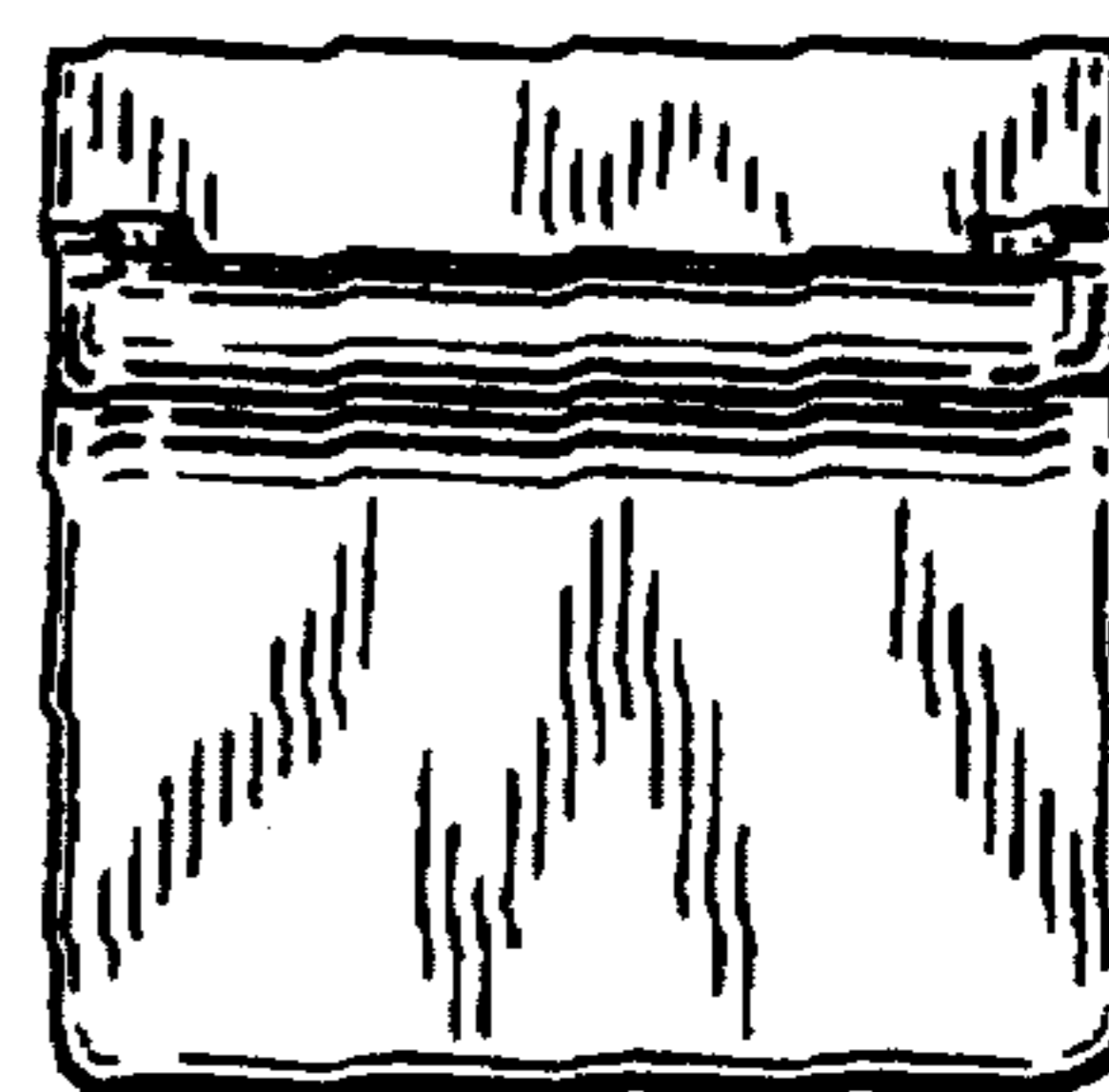


FIG. 7

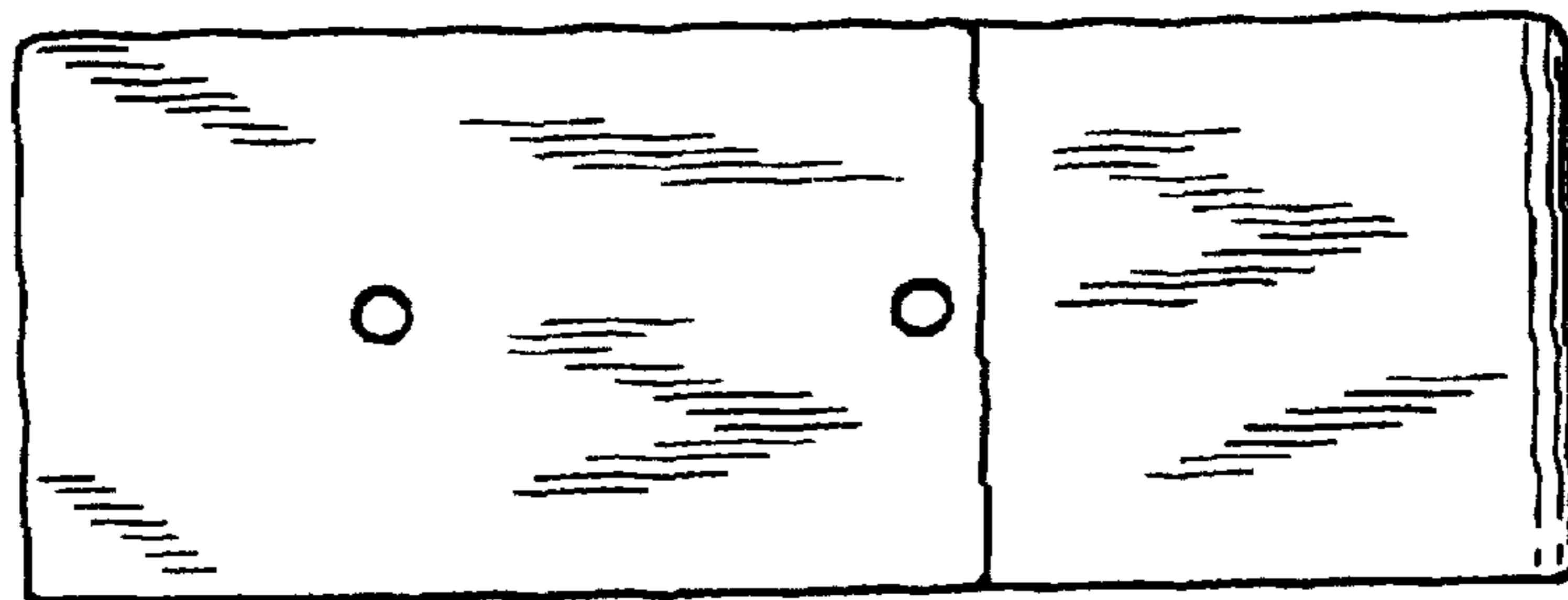


FIG. 8