



US00D408265S

United States Patent [19] Bills

[11] Patent Number: Des. 408,265
[45] Date of Patent: **Apr. 20, 1999

[54] ACCESS PREVENTION DEVICE FOR
PADLOCK

5,426,959 6/1995 Kies 70/56
5,477,710 12/1995 Stefanutti 70/56
5,806,351 9/1998 Lernahan 70/56

[76] Inventor: Robert A. Bills, 971 Wells Cir.,
Meridian, Id. 83642

Primary Examiner—Brian N. Vinson
Attorney, Agent, or Firm—Frank J. Dykas

[**] Term: 14 Years

[57] CLAIM

[21] Appl. No.: 29/080,644

The ornamental design for an access prevention device for padlock, as shown and described.

[22] Filed: Dec. 12, 1997

DESCRIPTION

[51] LOC (6) CL. 08-07

[52] U.S. CL. D8/346

[58] Field of Search D8/343, 346; 70/51,
70/54, 55, 56, 158, 454

FIG. 1 is a front perspective view of a access prevention device for padlock showing my new design, the broken-line disclosure of environment being for illustrative purposes only and forming no part of the claimed design;

FIG. 2 is a front elevational view thereof;

FIG. 3 is a rear elevational view thereof;

FIG. 4 is a top plan view thereof, the undisclosed bottom being identical in appearance; and,

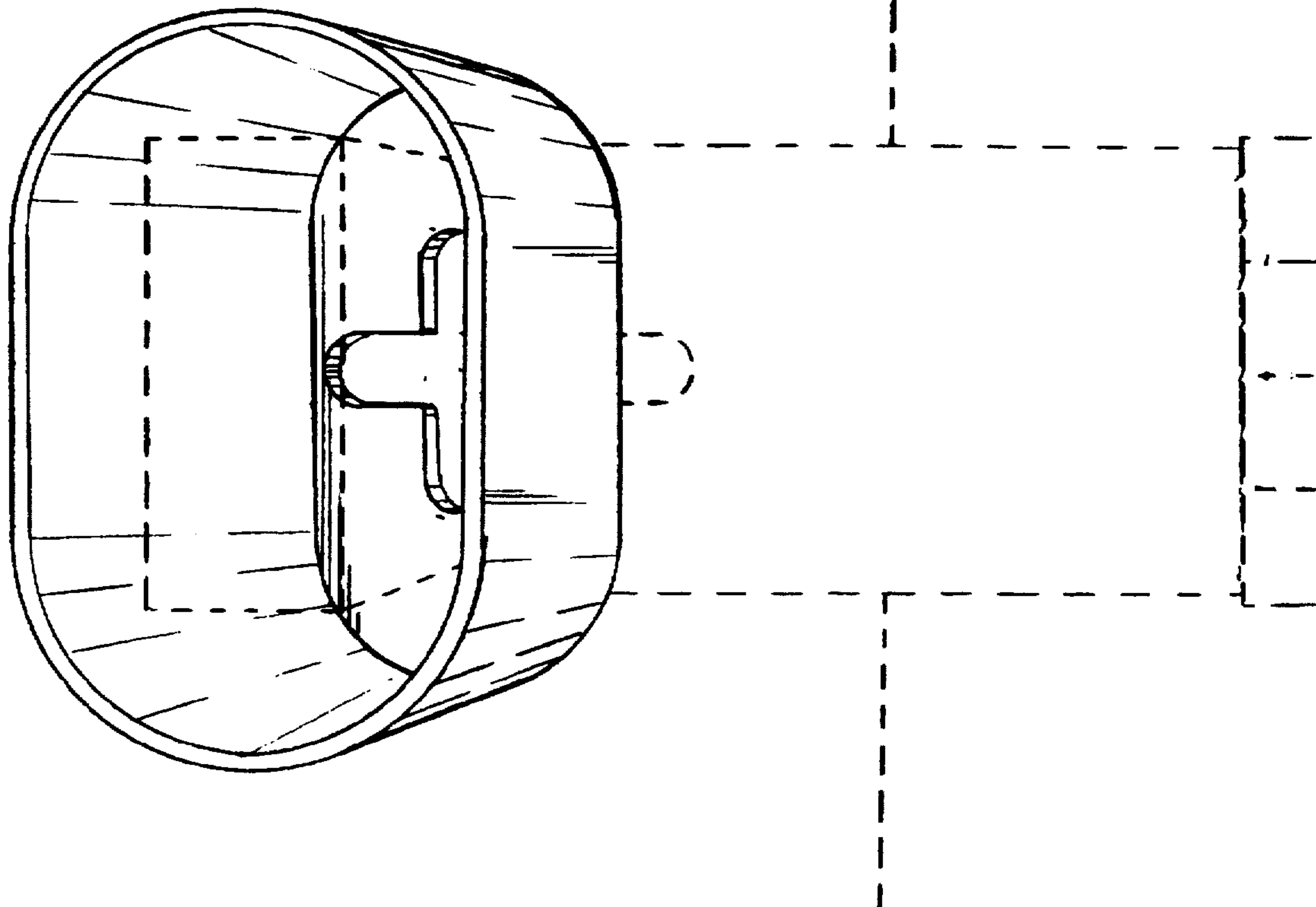
FIG. 5 is a left side elevational view thereof, the undisclosed right side view being identical in appearance.

[56] References Cited

U.S. PATENT DOCUMENTS

D. 248,540	7/1978	Linder	D8/346
D. 296,186	6/1988	Korn	D8/346
4,760,720	8/1988	Grille	70/54
4,896,518	1/1990	Appelgren	70/54
5,216,903	6/1993	Chen	70/55
5,219,384	6/1993	Elsderfer et al.	70/56 X

1 Claim, 2 Drawing Sheets



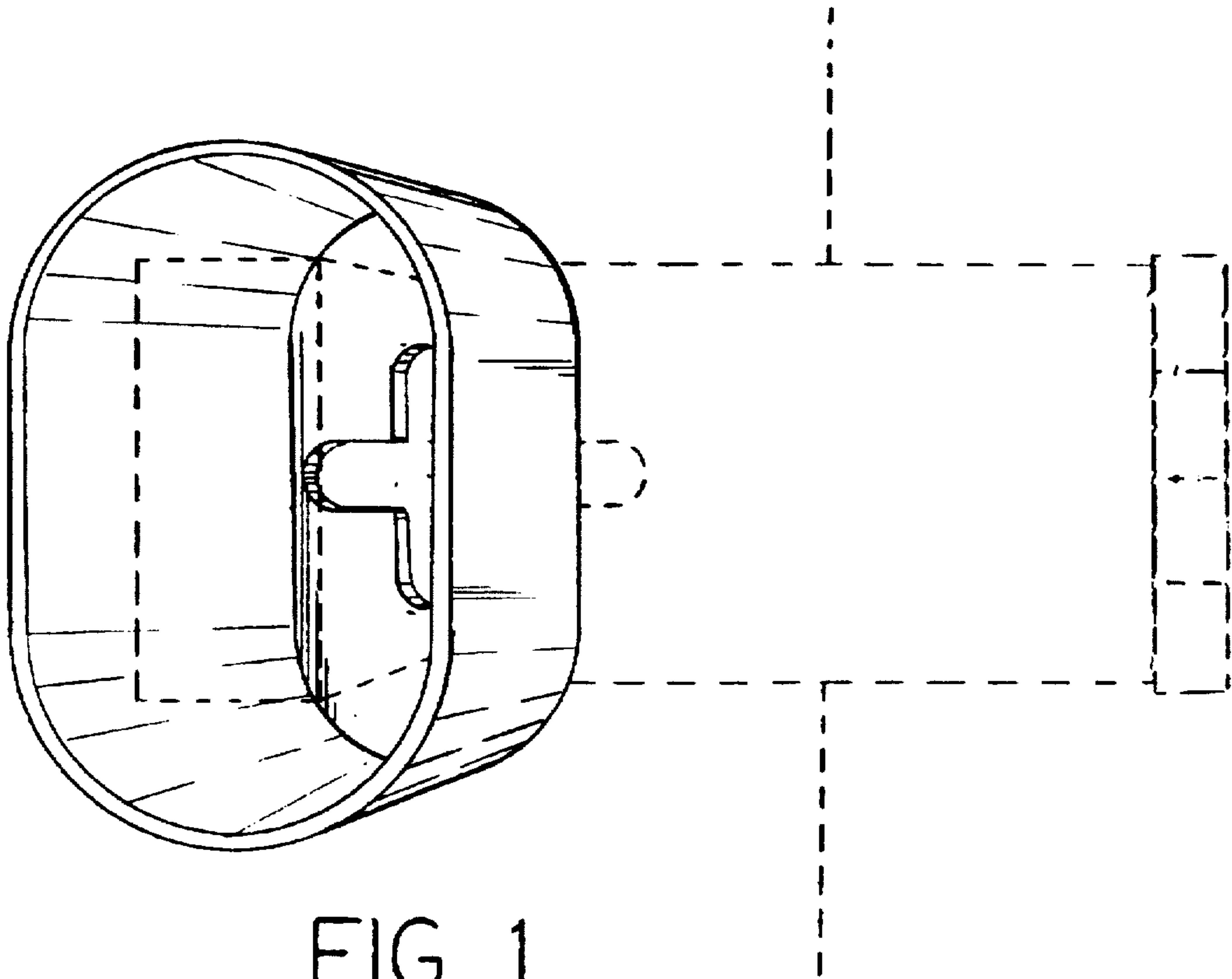


FIG. 1

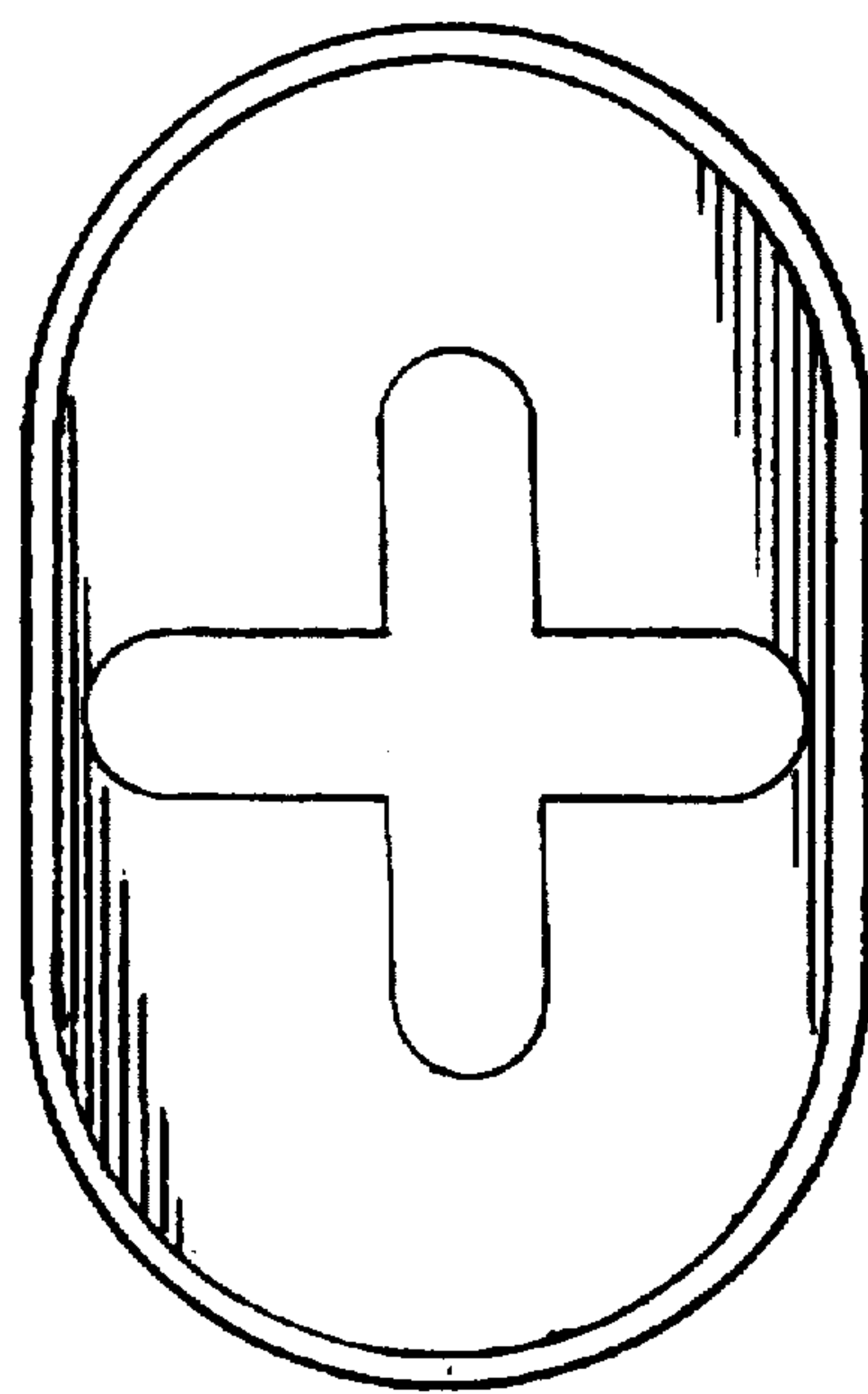


FIG. 2

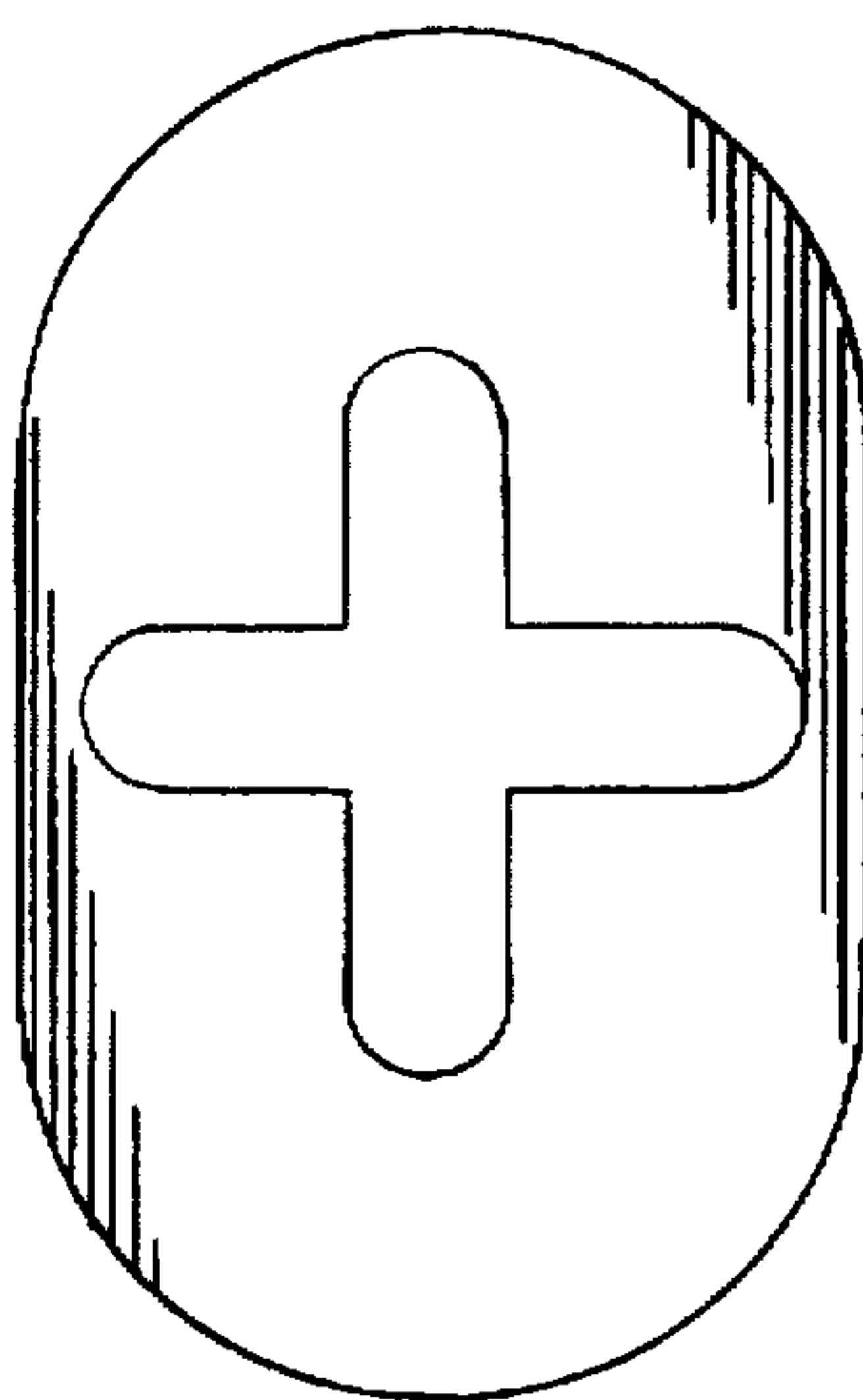


FIG. 3

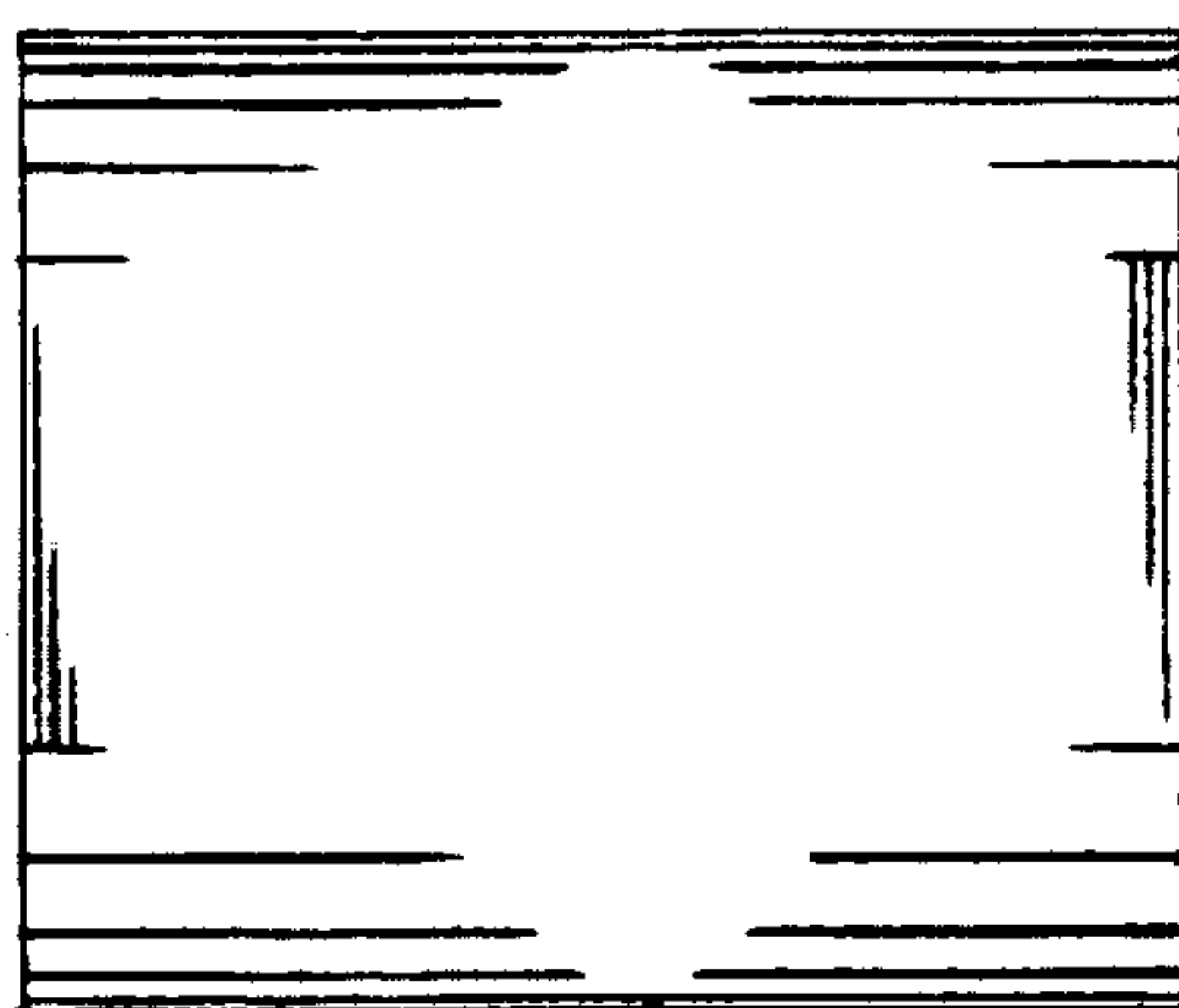


FIG. 4

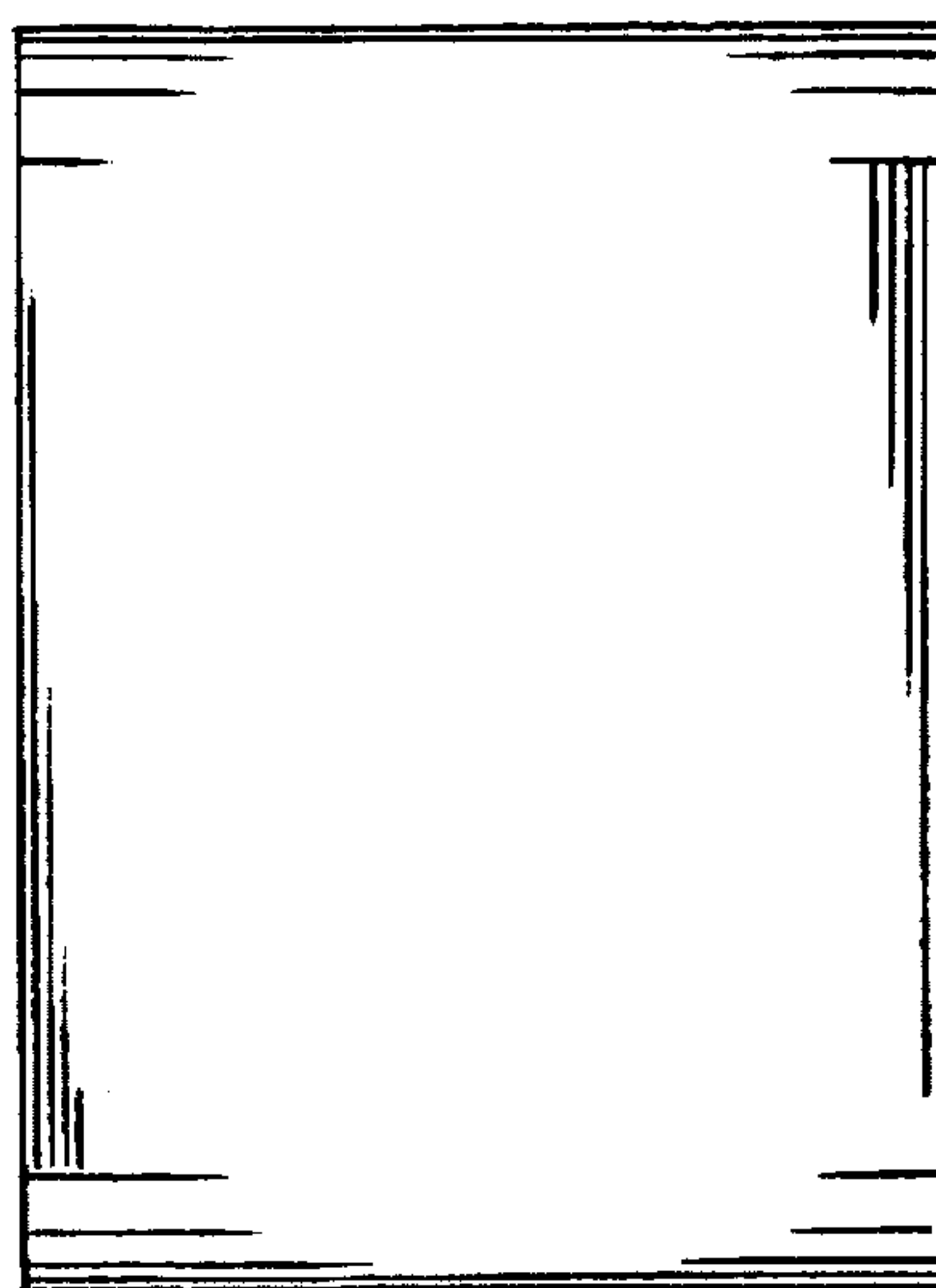


FIG. 5