



US00D408256S

**United States Patent** [19]  
**Maxcy**

[11] **Patent Number: Des. 408,256**  
[45] **Date of Patent: \*\*Apr. 20, 1999**

[54] **FOLDING POCKET KNIFE AND FLASHLIGHT**  
[76] **Inventor: Richard B. Maxcy, 214 Eastern Rd., Warren, Me. 04864**  
[\*\*] **Term: 14 Years**  
[21] **Appl. No.: 29/061,312**  
[22] **Filed: Oct. 21, 1996**  
[51] **LOC (6) CL ..... 08-03**  
[52] **U.S. Cl. .... D8/99**  
[58] **Field of Search ..... D8/99, 98, 105; D22/118; D26/38; 30/153, 154, 155, 156, 157; 362/119, 120, 109; 7/118**

3,831,276	8/1974	Dalton et al. ....	30/123
4,283,757	8/1981	Nalbandian et al. ....	362/120
4,392,184	7/1983	Hearold et al. ....	362/101
4,480,295	10/1984	Shuster .....	362/206
4,642,738	2/1987	Meller .....	362/119
5,058,900	10/1991	Denen .	
5,402,575	4/1995	Maxcy .....	30/123
5,430,952	7/1995	Betts .	

*Primary Examiner*—Philip S. Hyder

[57] **CLAIM**

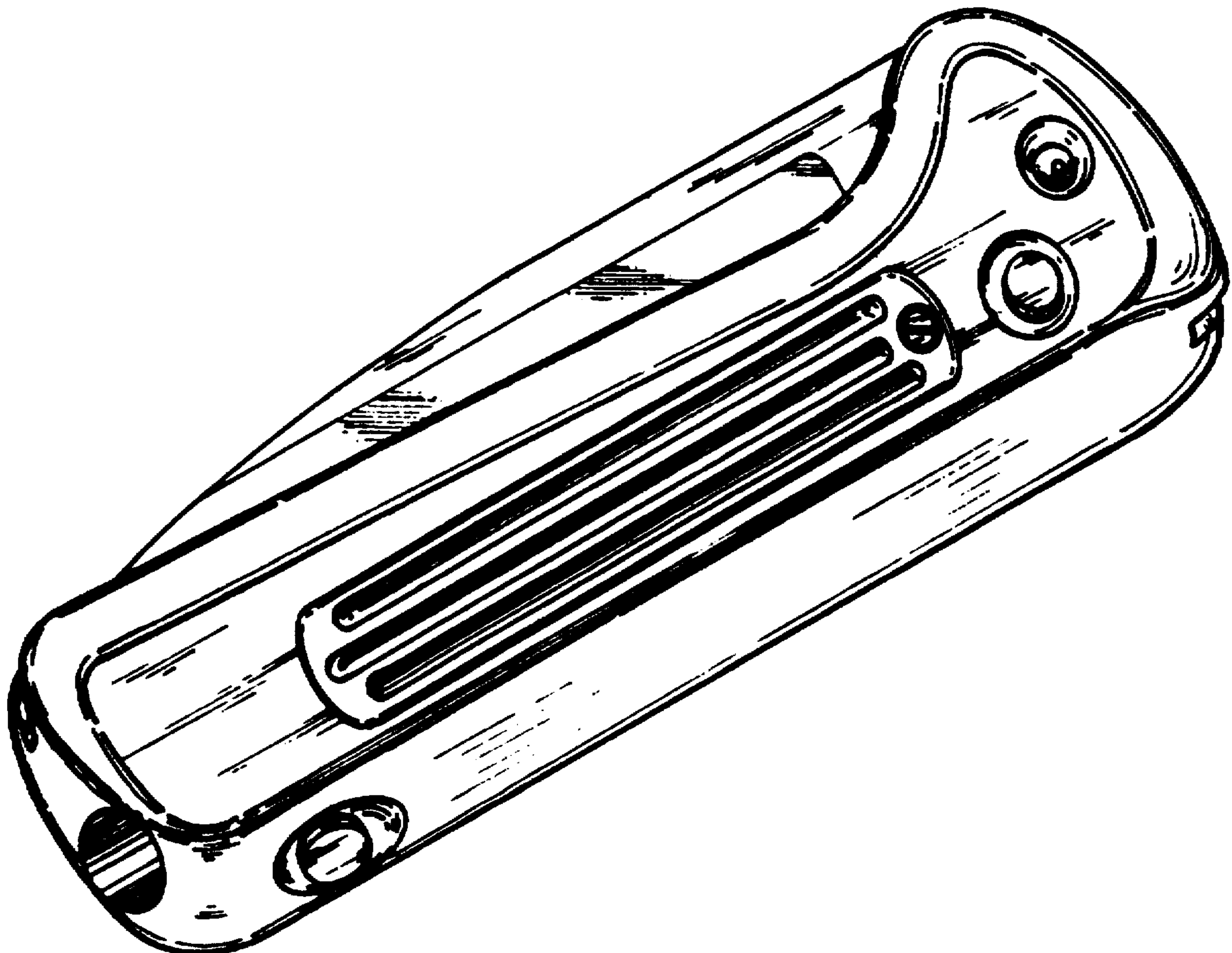
The ornamental design for a folding pocket knife and flashlight, as shown and described.

**DESCRIPTION**

FIG. 1 is a rear perspective view of my new folding pocket knife and flashlight with the blade folded within the handle; FIG. 2 is an end view of the blade end of FIG. 1; FIG. 3 is a side elevation view of the knife as shown in FIG. 1, wherein the opposite side is a mirror image; FIG. 4 is an end view of the flashlight end of my new design of FIG. 1; FIG. 5 is a side elevation view of FIG. 1 with the blade open; FIG. 6 is a top view of FIG. 1 with the blade open; and, FIG. 7 is a bottom view of FIG. 1.

[56] **References Cited**  
**U.S. PATENT DOCUMENTS**  
D. 173,323 10/1954 Polk ..... D8/99  
D. 224,388 7/1972 Wood ..... D8/99  
D. 227,071 6/1973 Bernadotte ..... D8/99  
D. 230,562 3/1974 Fellows ..... D8/99  
D. 230,696 3/1974 Evrell ..... D8/99  
D. 308,009 5/1990 Evrell ..... D8/99  
D. 310,621 9/1990 Thompson ..... D8/99  
D. 348,818 7/1994 Hasagawa ..... D8/99  
D. 371,289 7/1996 Huang ..... D8/99

**1 Claim, 2 Drawing Sheets**



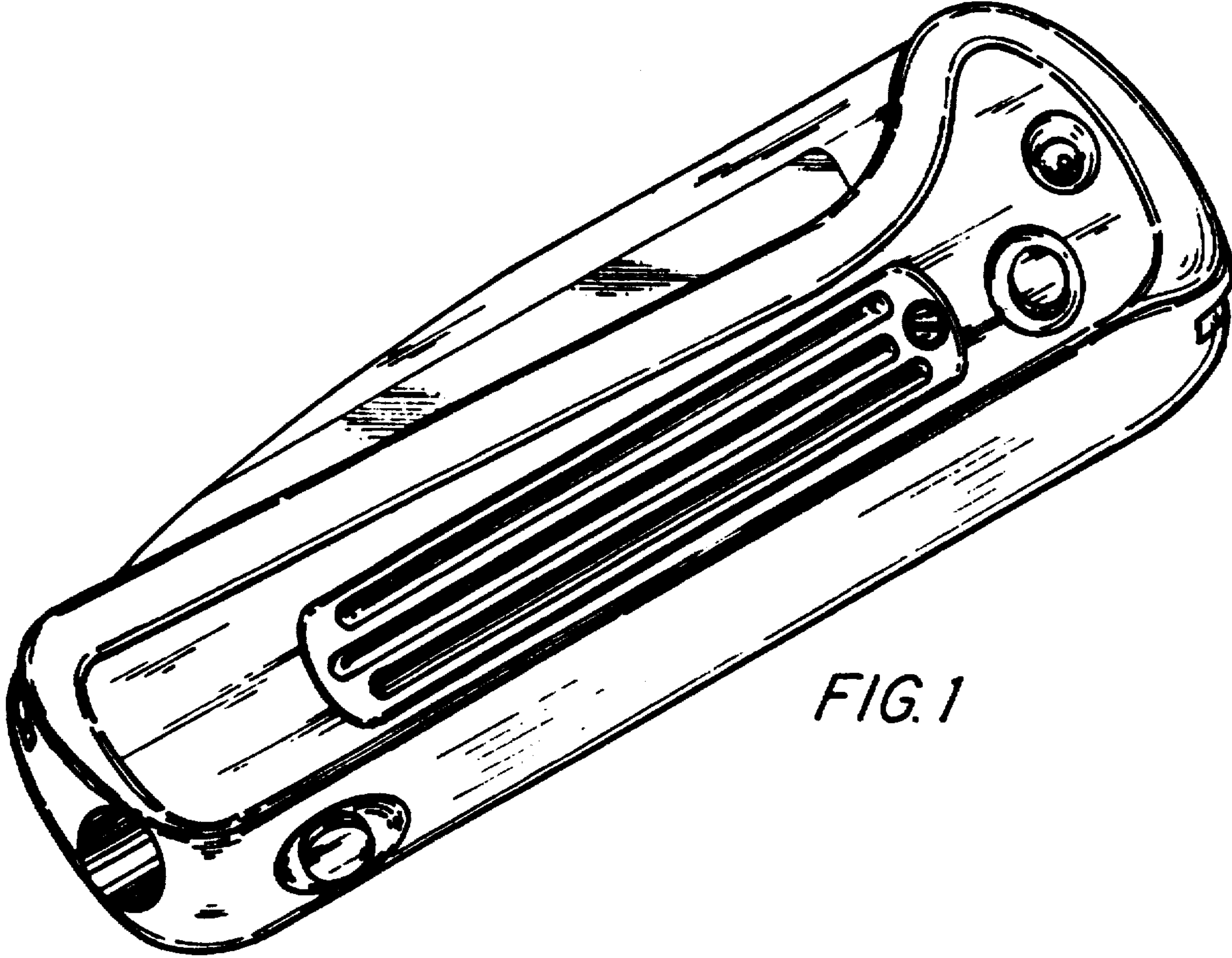


FIG. 1

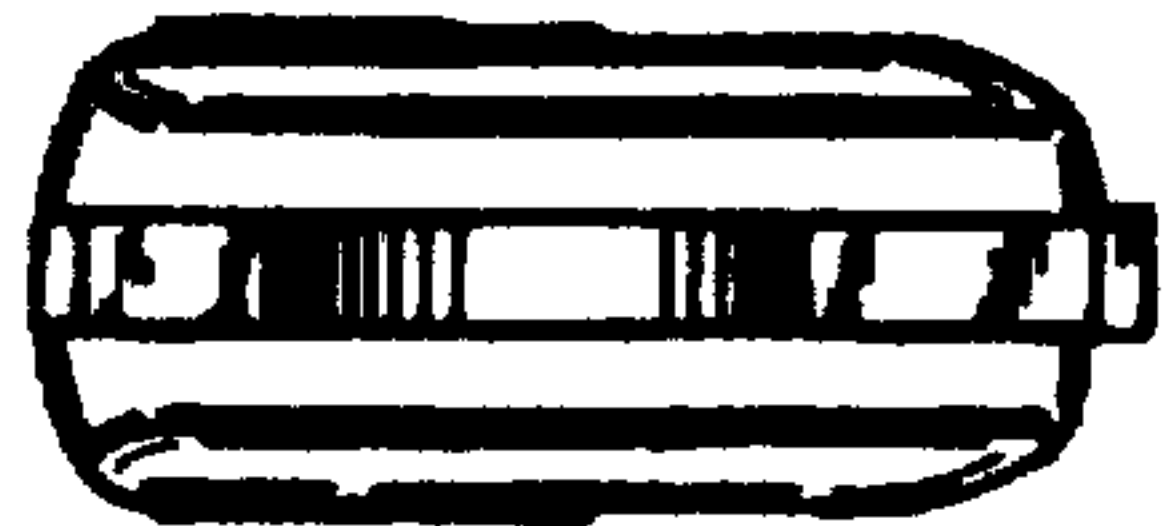


FIG. 2



FIG. 3



FIG. 4

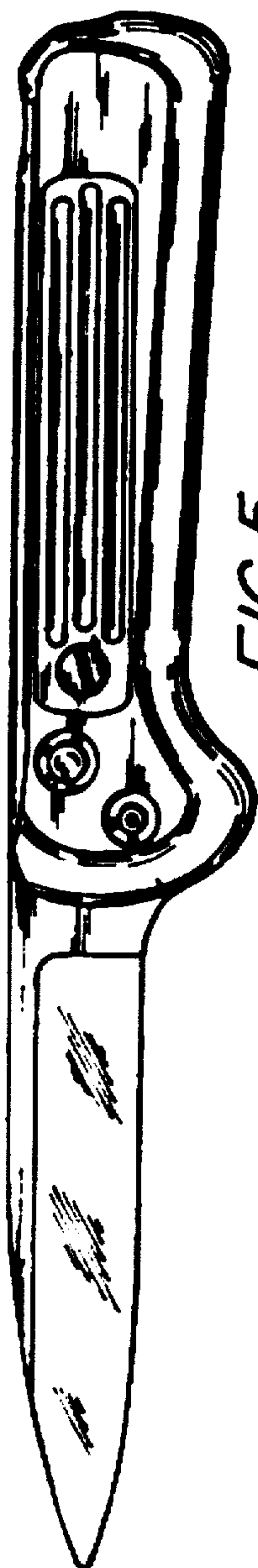


FIG. 5



FIG. 6

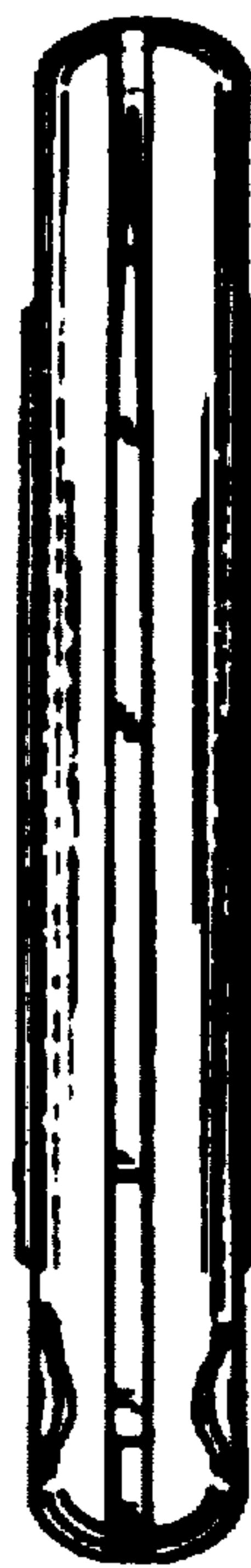


FIG. 7