



US00D408250S

United States Patent [19]

Matsuoka et al.

[11] Patent Number: Des. 408,250

[45] Date of Patent: **Apr. 20, 1999

[54] PORTABLE PNEUMATIC NAILER

D. 396,178 7/1998 Hattori D8/68

[75] Inventors: Takeshi Matsuoka; Michio Wakabayashi; Yasuki Ohmori, all of Hitachinaka, Japan

Primary Examiner—Antoine Duval Davis
Attorney, Agent, or Firm—McDermott, Will & Emery

[73] Assignee: Hitachi Koki Co., Ltd., Tokyo, Japan

[57] CLAIM

[**] Term: 14 Years

The ornamental design for a portable pneumatic nailer, as shown.

[21] Appl. No.: 29/081,262

DESCRIPTION

[22] Filed: Dec. 29, 1997

[30] Foreign Application Priority Data

Jun. 27, 1997 [JP] Japan 9-59715

[51] LOC (6) CL 08-03

[52] U.S. Cl. D8/68; D8/61

[58] Field of Search D8/61, 68; 227/2, 227/8, 111-115, 120, 130, 136

FIG. 1 is a front perspective view of the portable pneumatic nailer;

FIG. 2 is a front elevational view thereof;

FIG. 3 is a top plan view thereof;

FIG. 4 is a bottom plan view thereof;

FIG. 5 is a right side elevational view thereof;

FIG. 6 is a left side elevational view thereof; and,

FIG. 7 is a rear elevational view thereof.

[56] References Cited

U.S. PATENT DOCUMENTS

D. 392,170 3/1998 Hattori D8/68

1 Claim, 6 Drawing Sheets

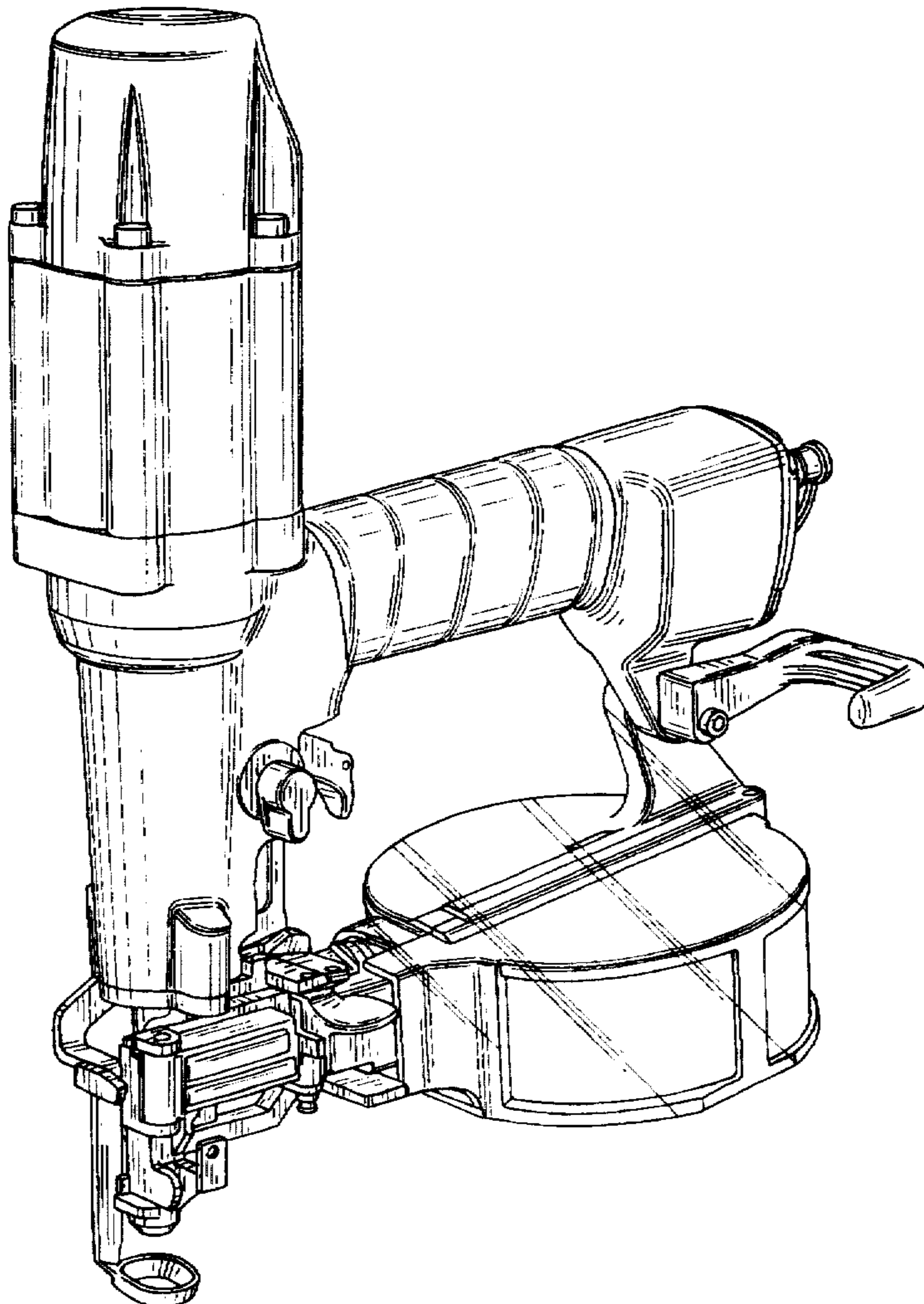


FIG. 1

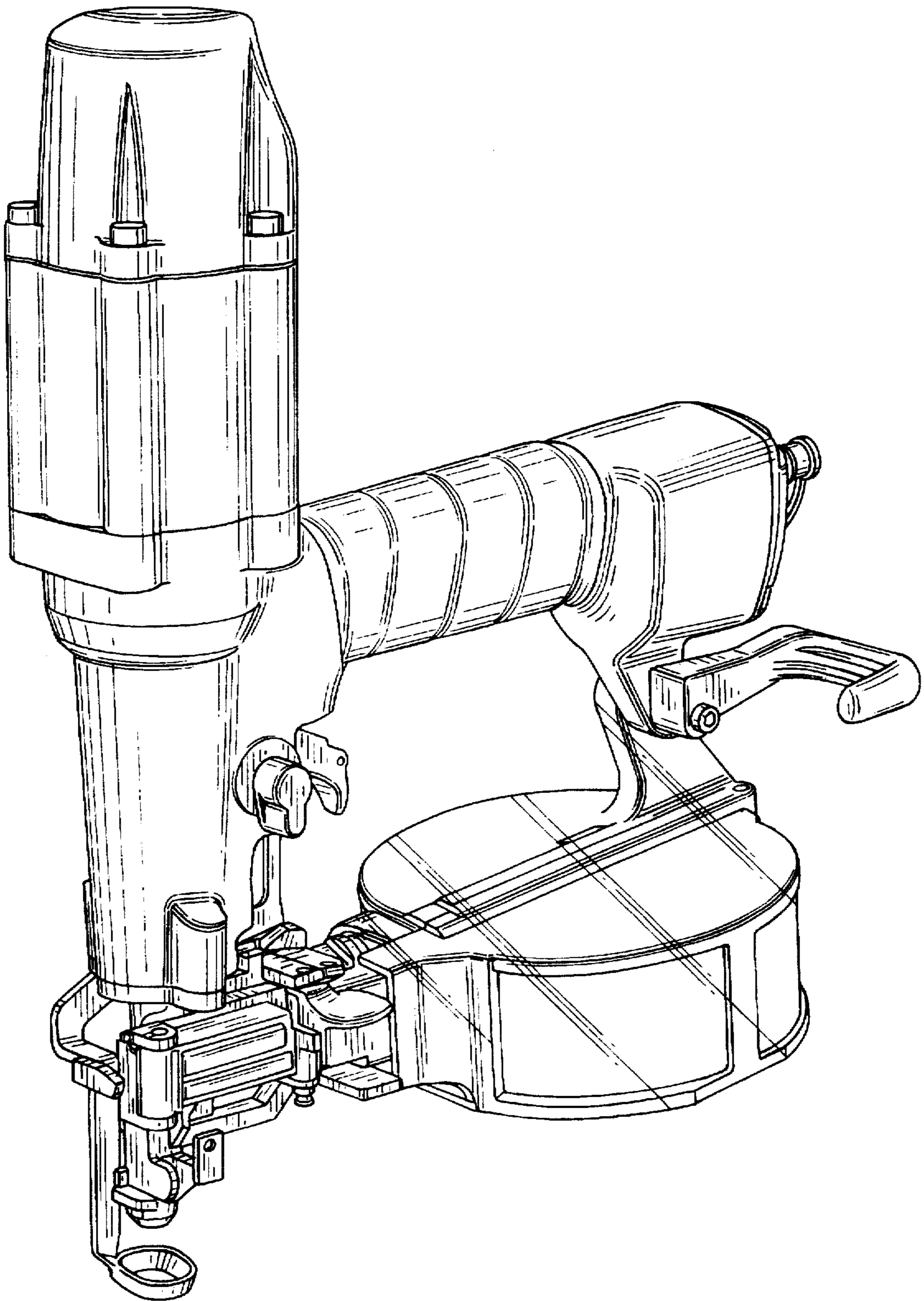


FIG. 2

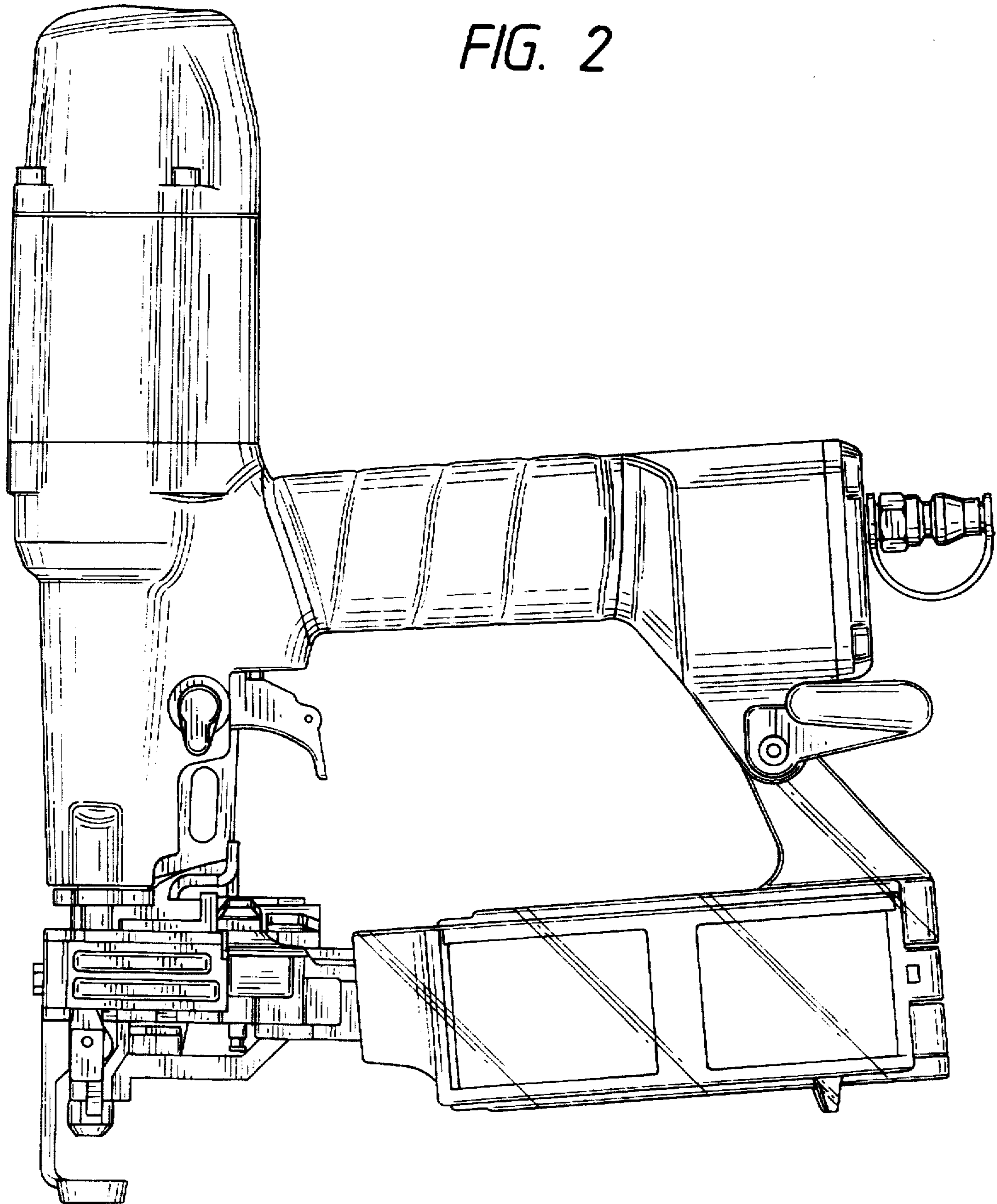


FIG. 3

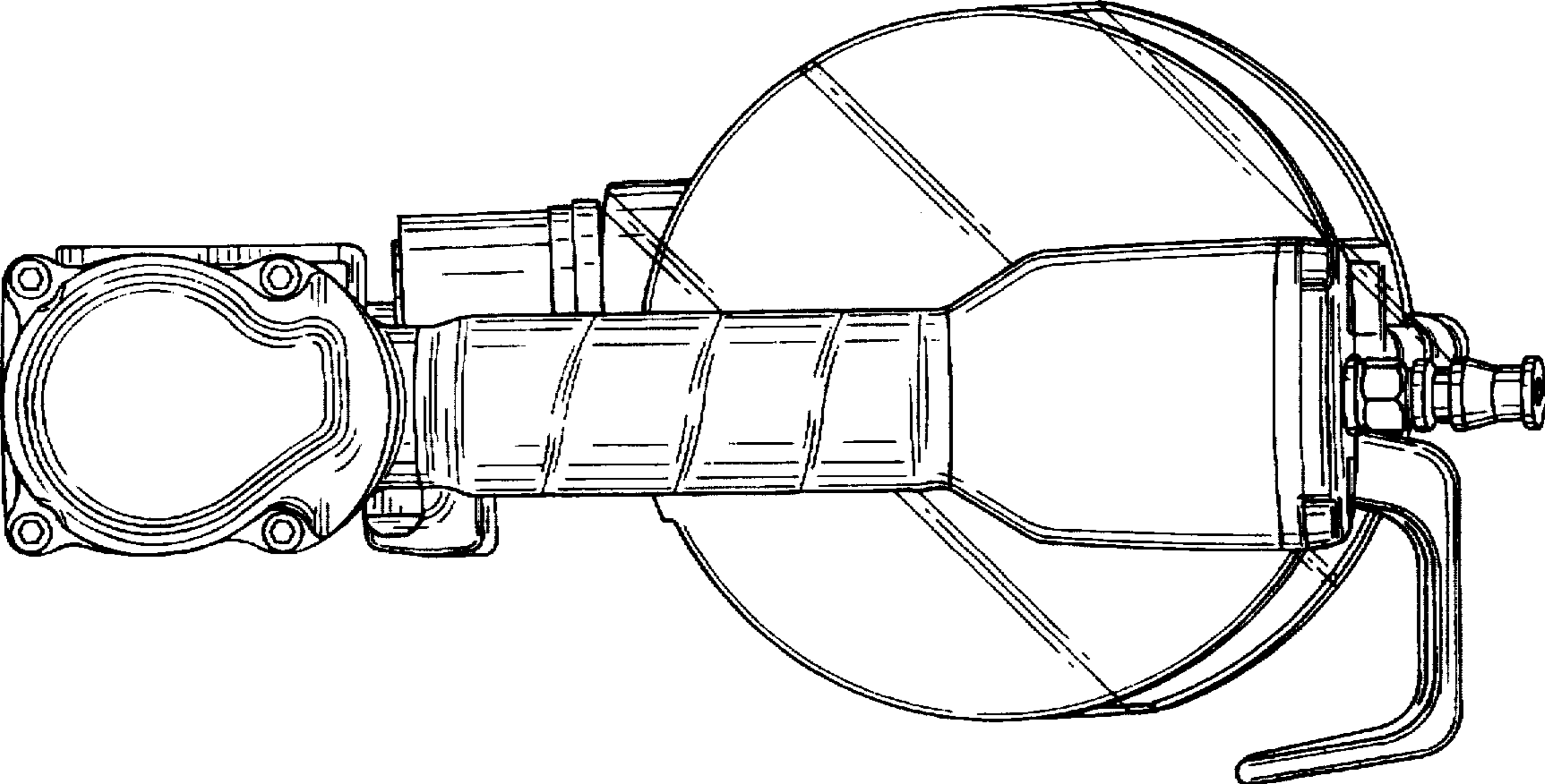


FIG. 4

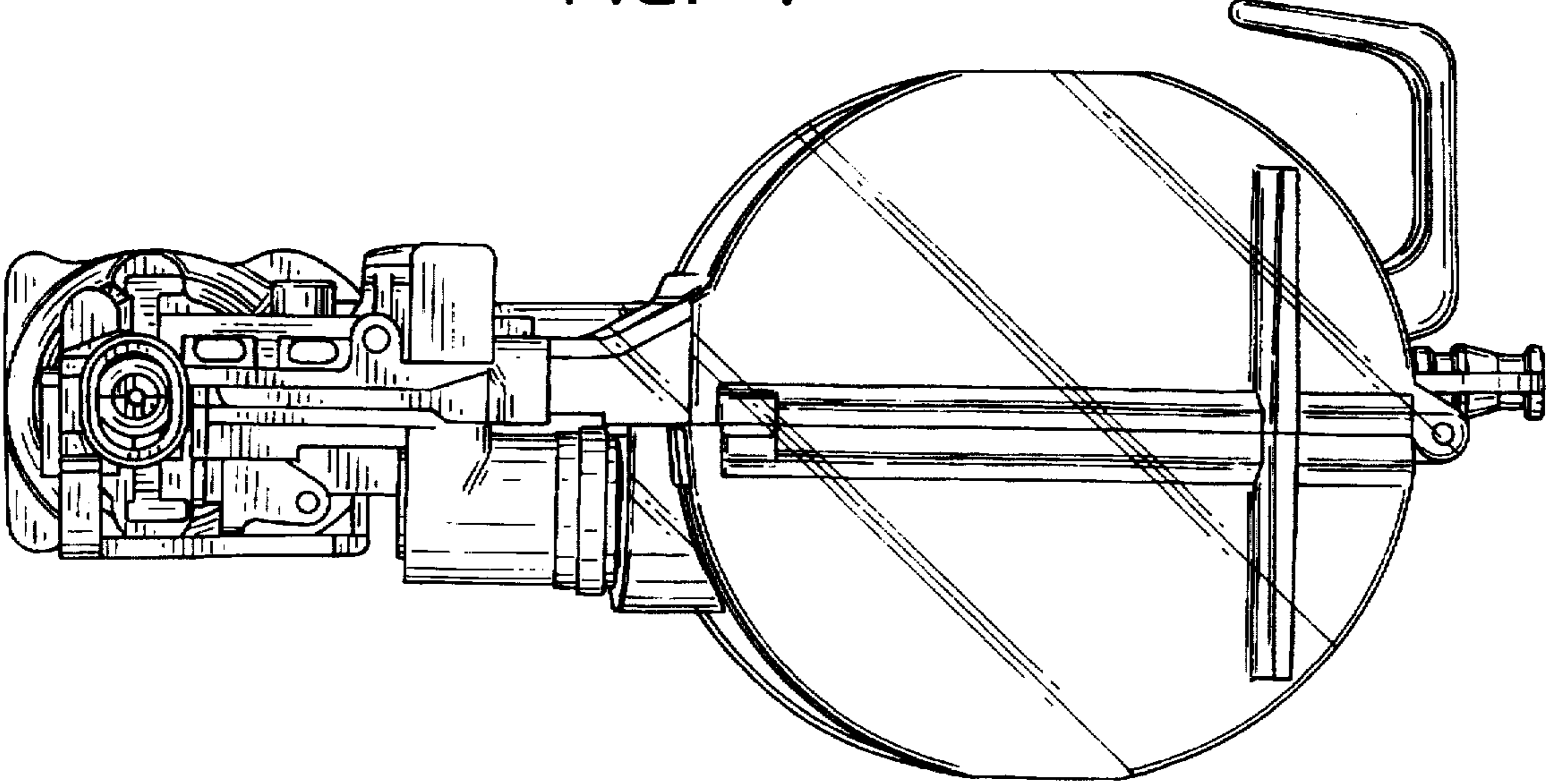


FIG. 5

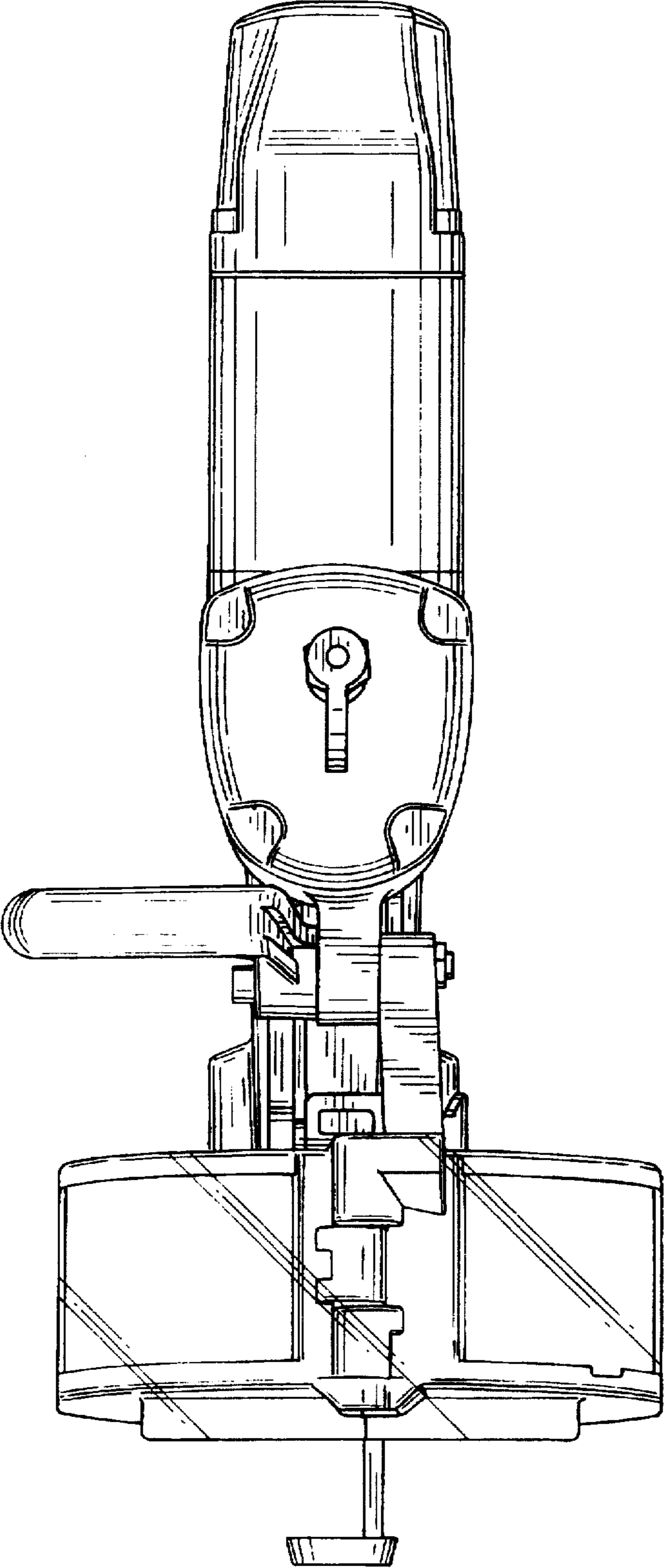


FIG. 6

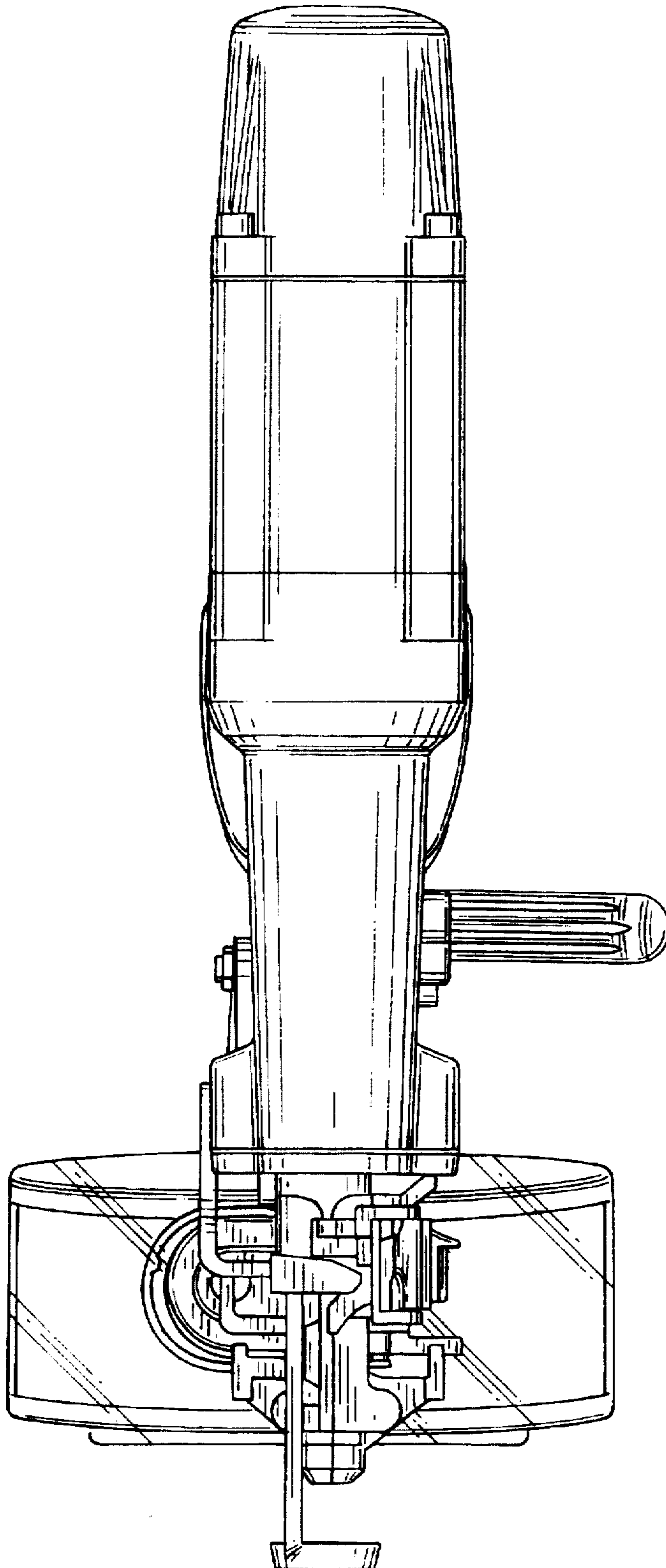


FIG. 7

