



US00D408248S

**United States Patent** [19]  
**Zurwelle et al.**

[11] **Patent Number:** **Des. 408,248**  
[45] **Date of Patent:** **\*\*Apr. 20, 1999**

[54] **CIRCULAR SAW**

[75] **Inventors:** **Donald W. Zurwelle**, Lutherville, Md.;  
**Bruce M. Waters**, Lancaster, Pa.;  
**Bradford L. Hollinger**, Lancaster, Pa.;  
**Meyric K. Rogers**, Lancaster, Pa.

[73] **Assignee:** **Black & Decker Inc.**, Newark, Del.

[\*\*] **Term:** **14 Years**

[21] **Appl. No.:** **29/083,521**

[22] **Filed:** **Feb. 6, 1998**

[51] **LOC (6) Cl.** ..... **08-03**

[52] **U.S. Cl.** ..... **D8/66**

[58] **Field of Search** ..... D8/66; 30/375-377,  
30/388-391

[56] **References Cited**

**U.S. PATENT DOCUMENTS**

D. 329,363 9/1992 Sasaki et al. .... D8/66

D. 378,488 3/1997 Ito et al. .... D8/66  
5,758,425 6/1998 Gallagher et al. .... 30/376  
5,794,351 8/1998 Campbell et al. .... 30/390

*Primary Examiner*—Antoine Duval Davis  
*Attorney, Agent, or Firm*—Adan Ayala

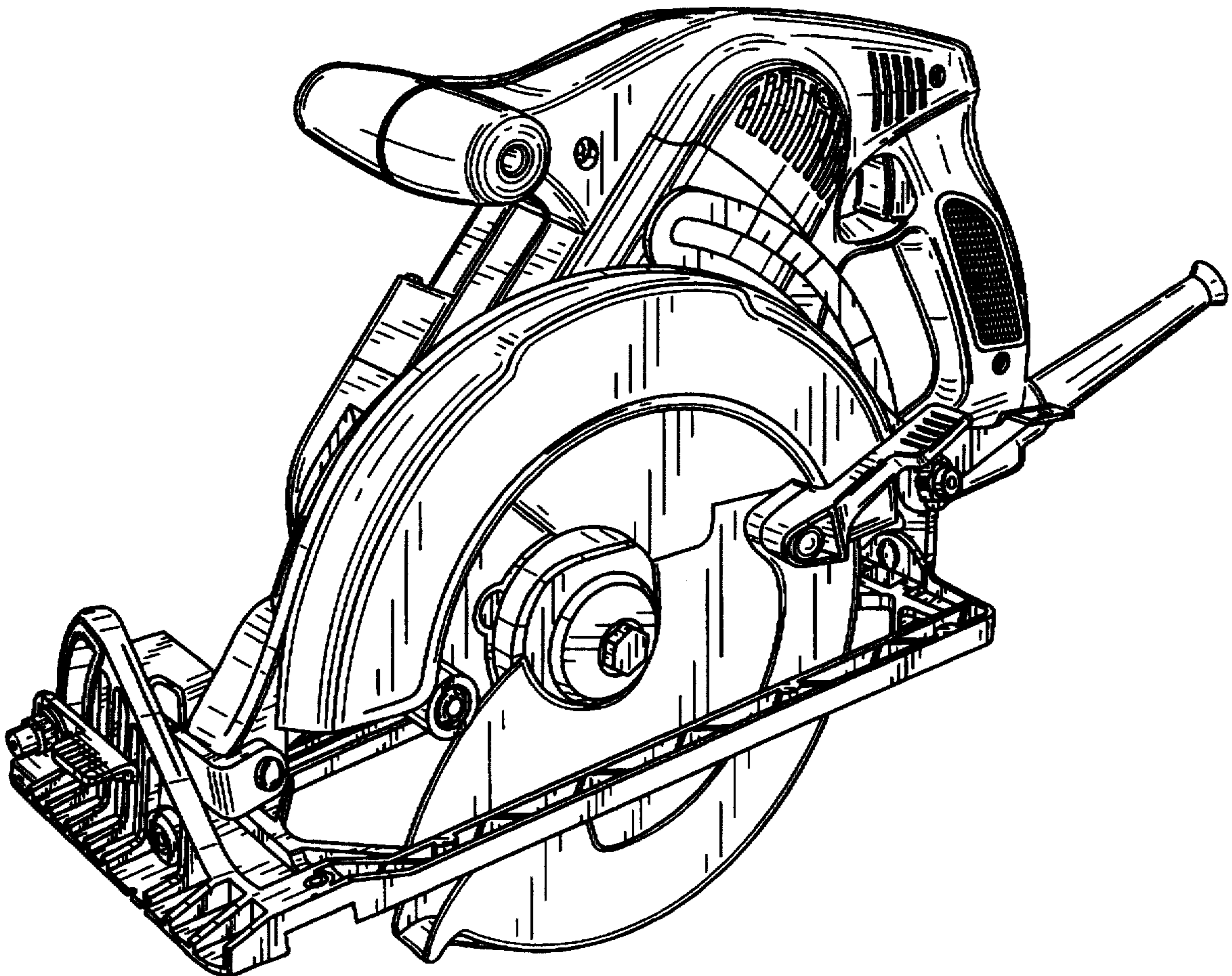
[57] **CLAIM**

The ornamental design for a circular saw, as shown and described.

**DESCRIPTION**

FIG. 1 is a right side perspective view from the front of a circular saw showing my new design;  
FIG. 2 is a right side elevational view of the circular saw;  
FIG. 3 is a left side elevational view of the circular saw;  
FIG. 4 is a front elevational view of the circular saw;  
FIG. 5 is a rear elevational view of the circular saw;  
FIG. 6 is a top plan view of the circular saw; and,  
FIG. 7 is a bottom plan view of the circular saw.

**1 Claim, 7 Drawing Sheets**



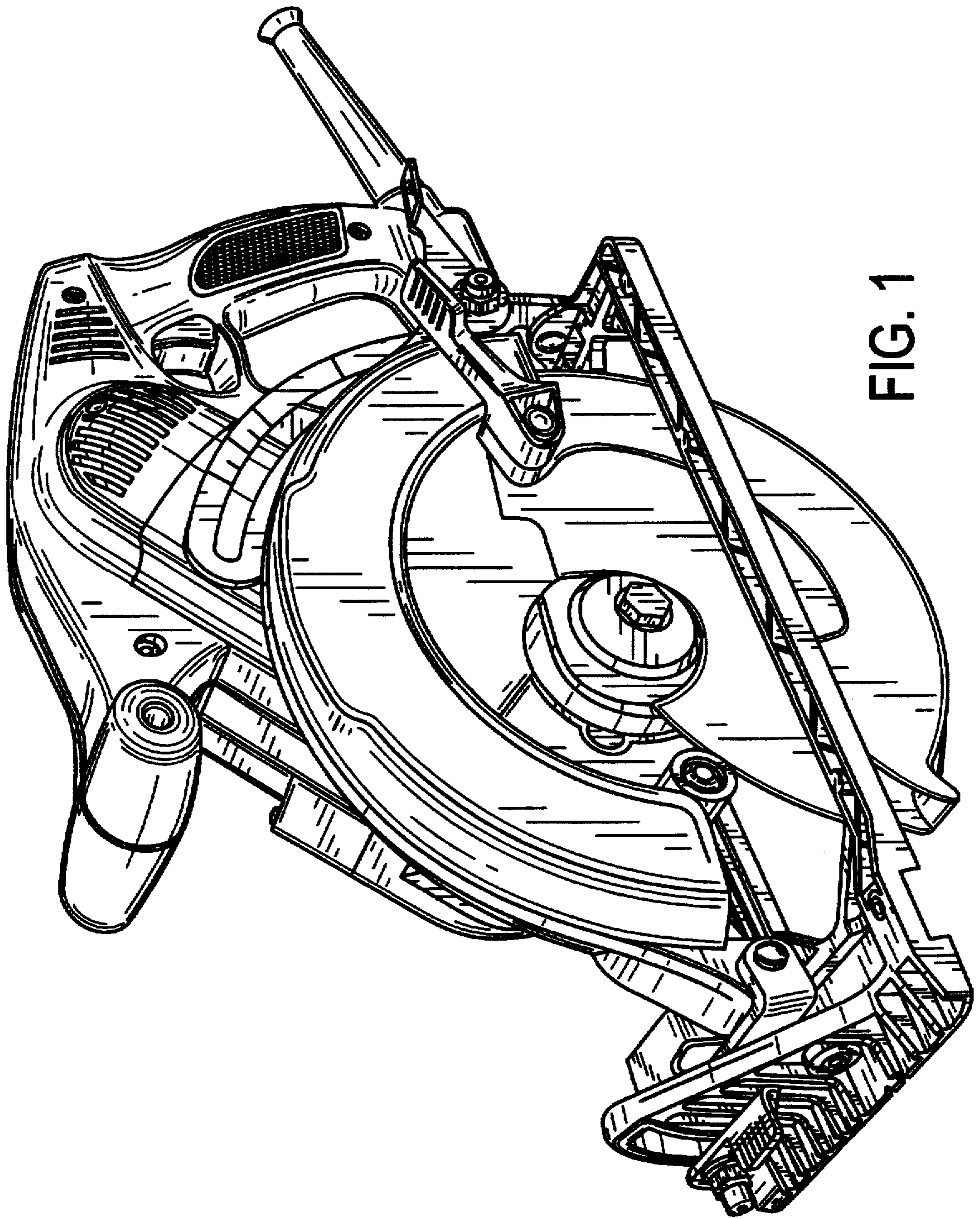


FIG. 1

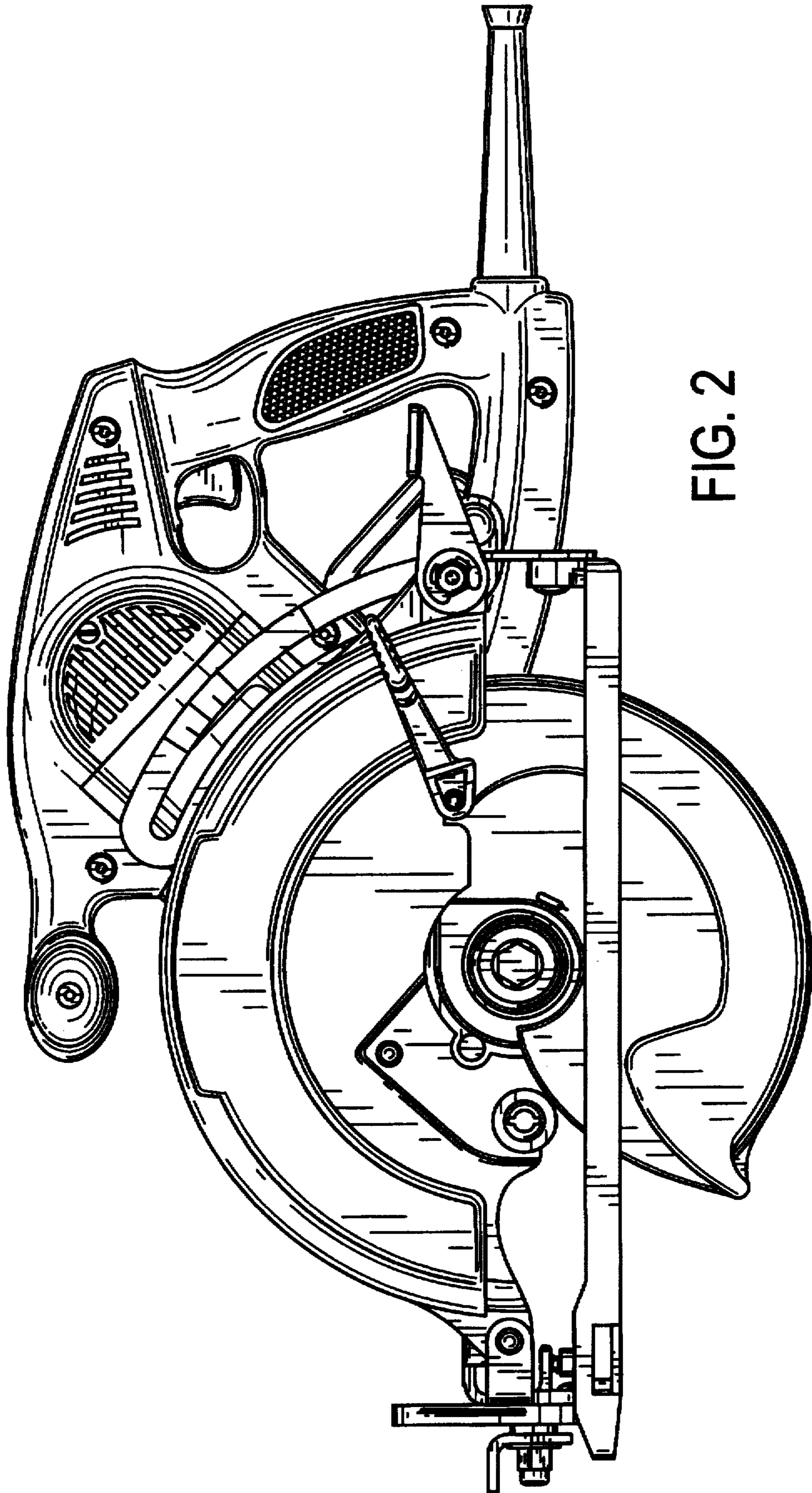


FIG. 2

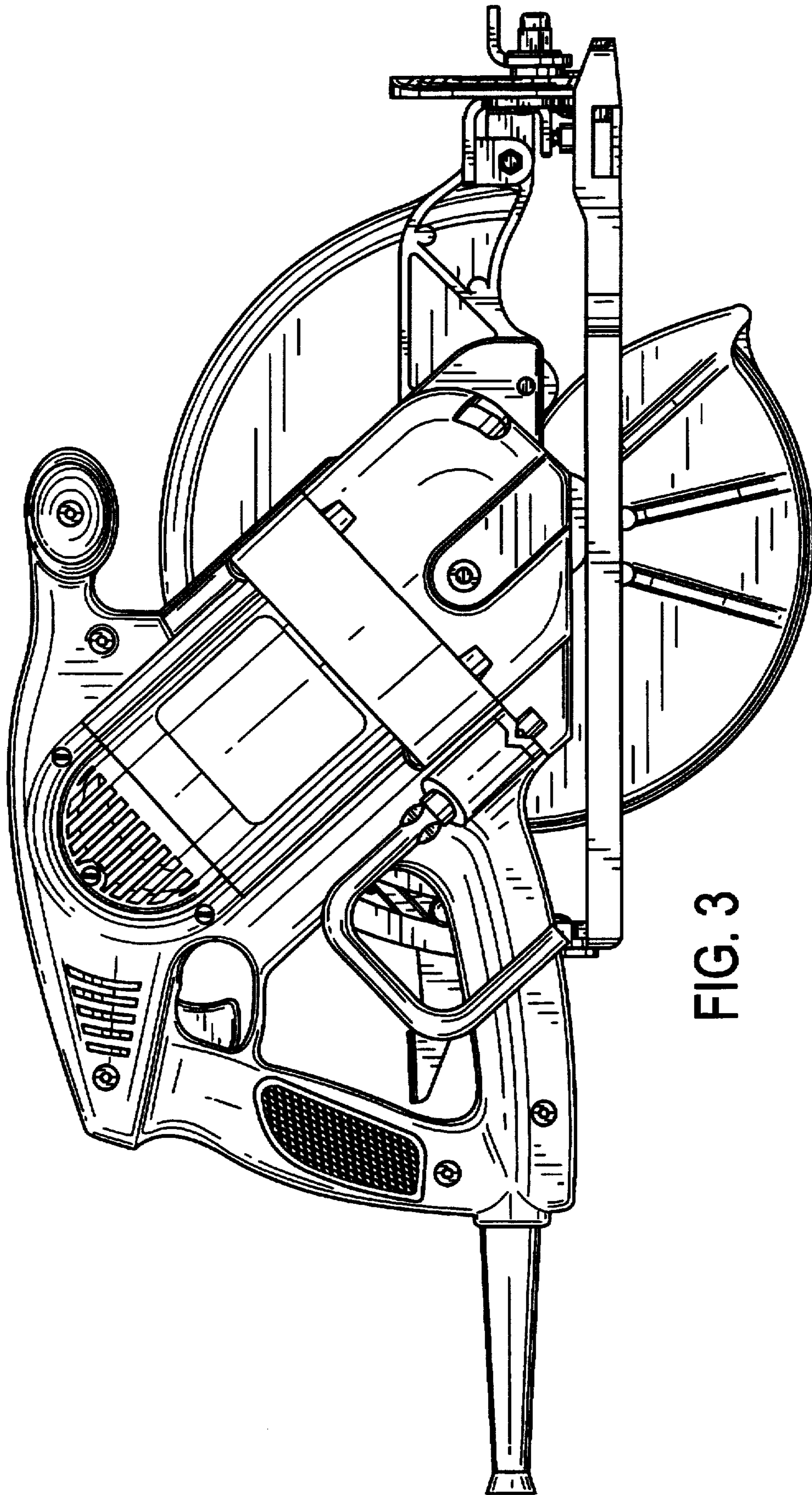


FIG. 3

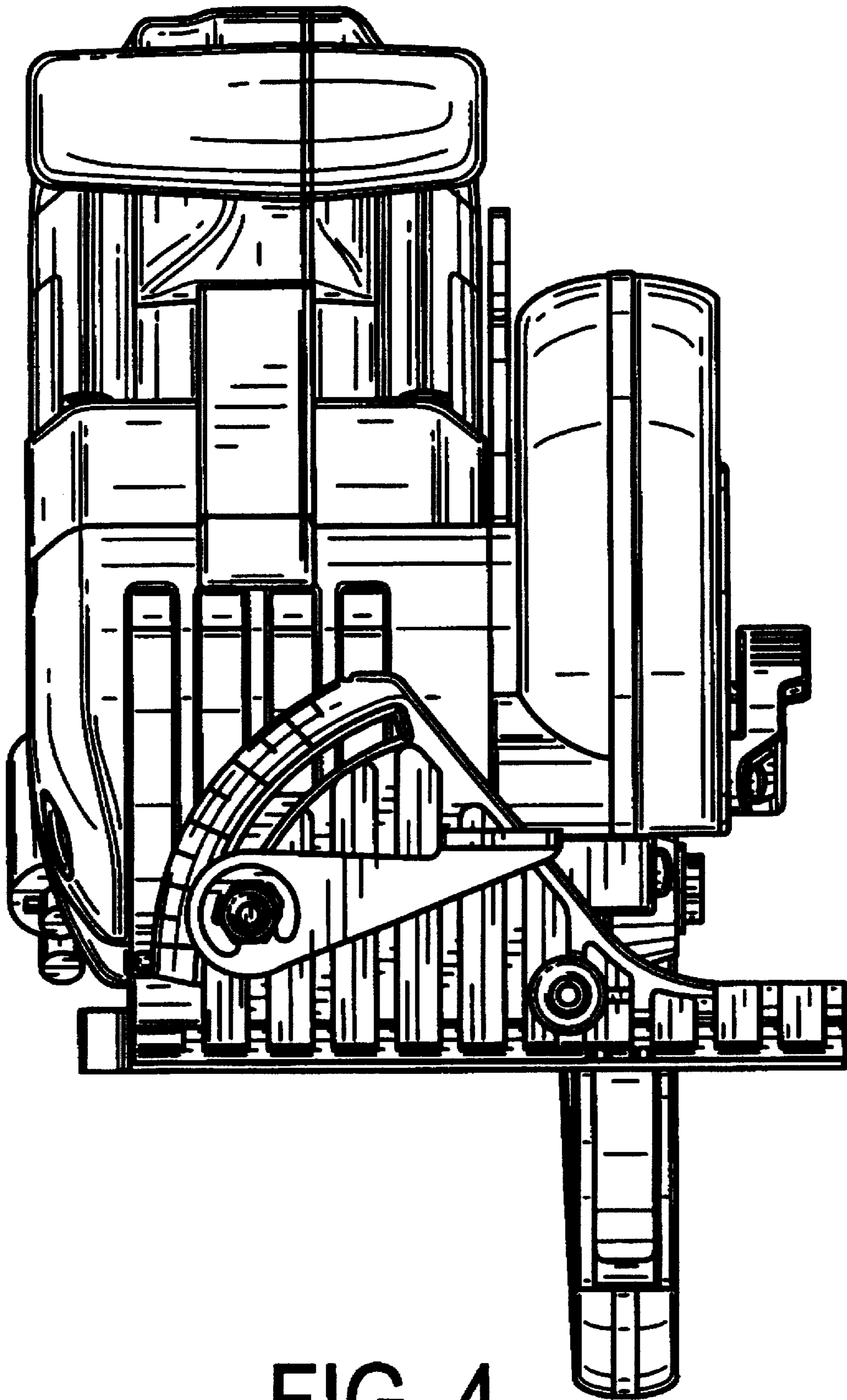


FIG. 4

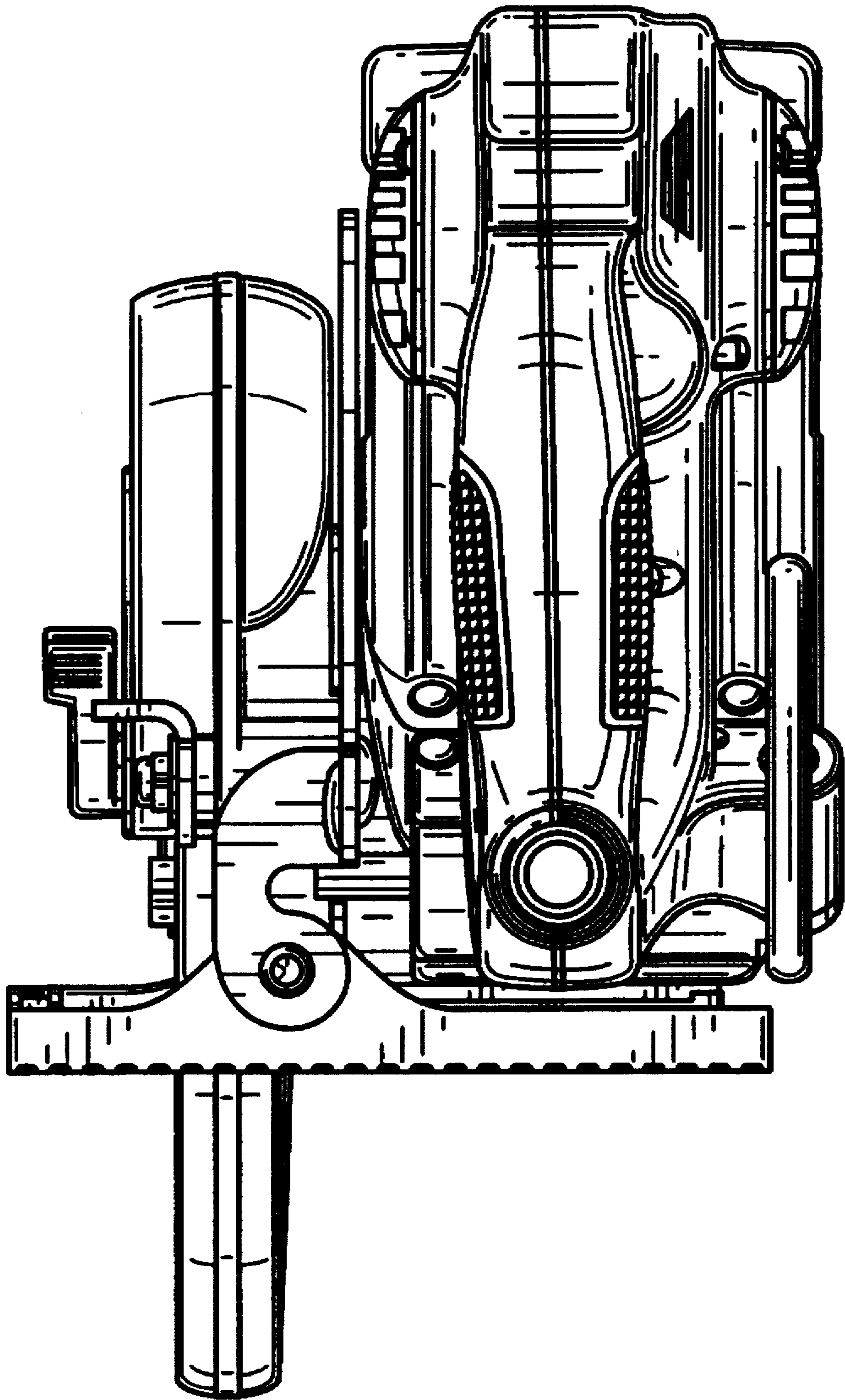


FIG. 5

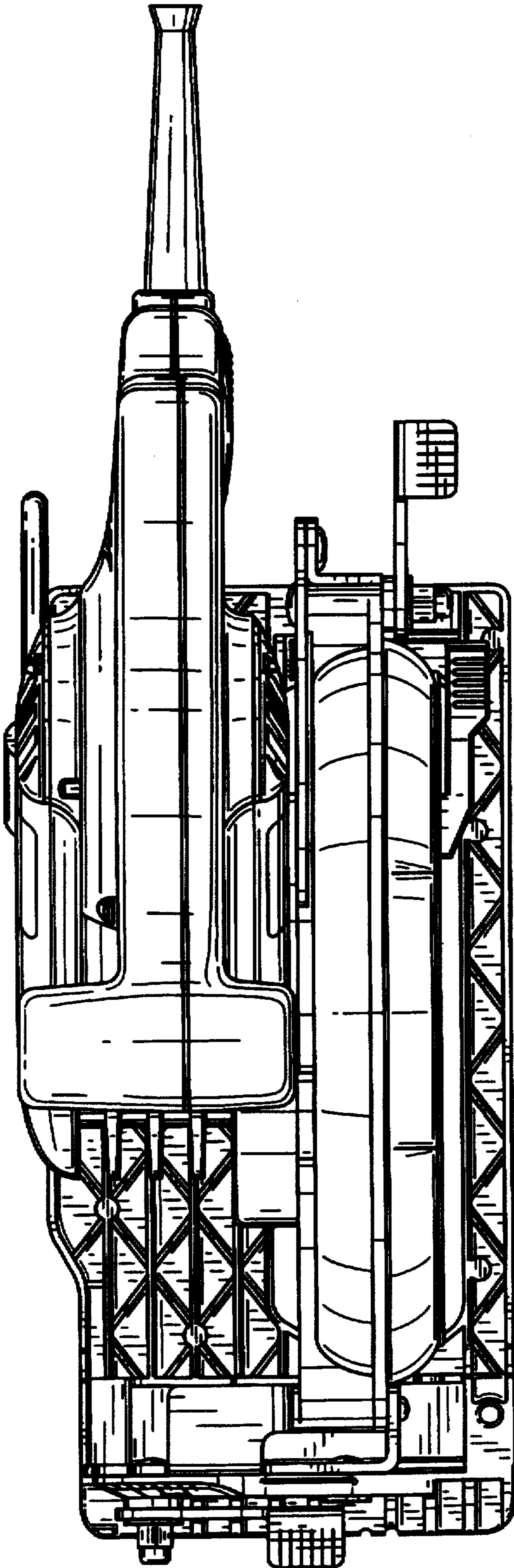


FIG. 6

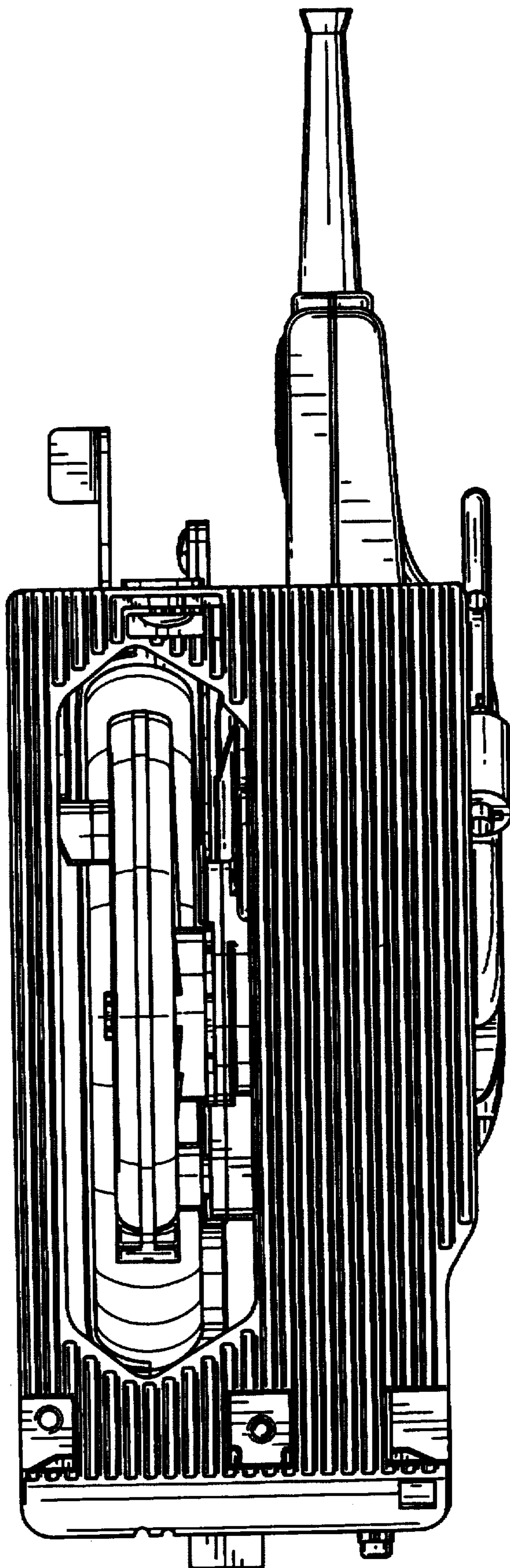


FIG. 7