



US00D408245S

United States Patent [19]

Evans et al.

[11] Patent Number: Des. 408,245

[45] Date of Patent: **Apr. 20, 1999

[54] SHEET SANDER
[75] Inventors: D. Scott Evans, Cockeysville; Philip T. Miller, Lutherville, both of Md.

5,018,314 5/1991 Fushiya et al. 51/170
5,384,984 1/1995 Smith 451/357
5,392,568 2/1995 Howard, Jr. et al. 451/357
5,419,737 5/1995 Brazell et al. 451/453
5,709,596 1/1998 Alexander et al. 451/357

[73] Assignee: Black & Decker Inc., Newark, Del.

OTHER PUBLICATIONS

[**] Term: 14 Years

Black & Decker; Power Tools and Accessories Catalog 1991-92; 3 pages; Copyright 1991; See item 4011, Professional 1/4 Sheet palm grip sander.

[21] Appl. No.: 29/084,622

Primary Examiner—Antoine Duval Davis
Attorney, Agent, or Firm—Bruce S. Shapiro; Dennis A. Dearing; John D. Del Ponti

[22] Filed: Mar. 6, 1998

[51] LOC (6) Cl. 08-03

[52] U.S. Cl. D8/62

[58] Field of Search D8/62; 451/356,
451/357, 358, 359, 344, 450-457

[57] CLAIM

The ornamental design for a sheet sander, as shown and described.

[56] References Cited

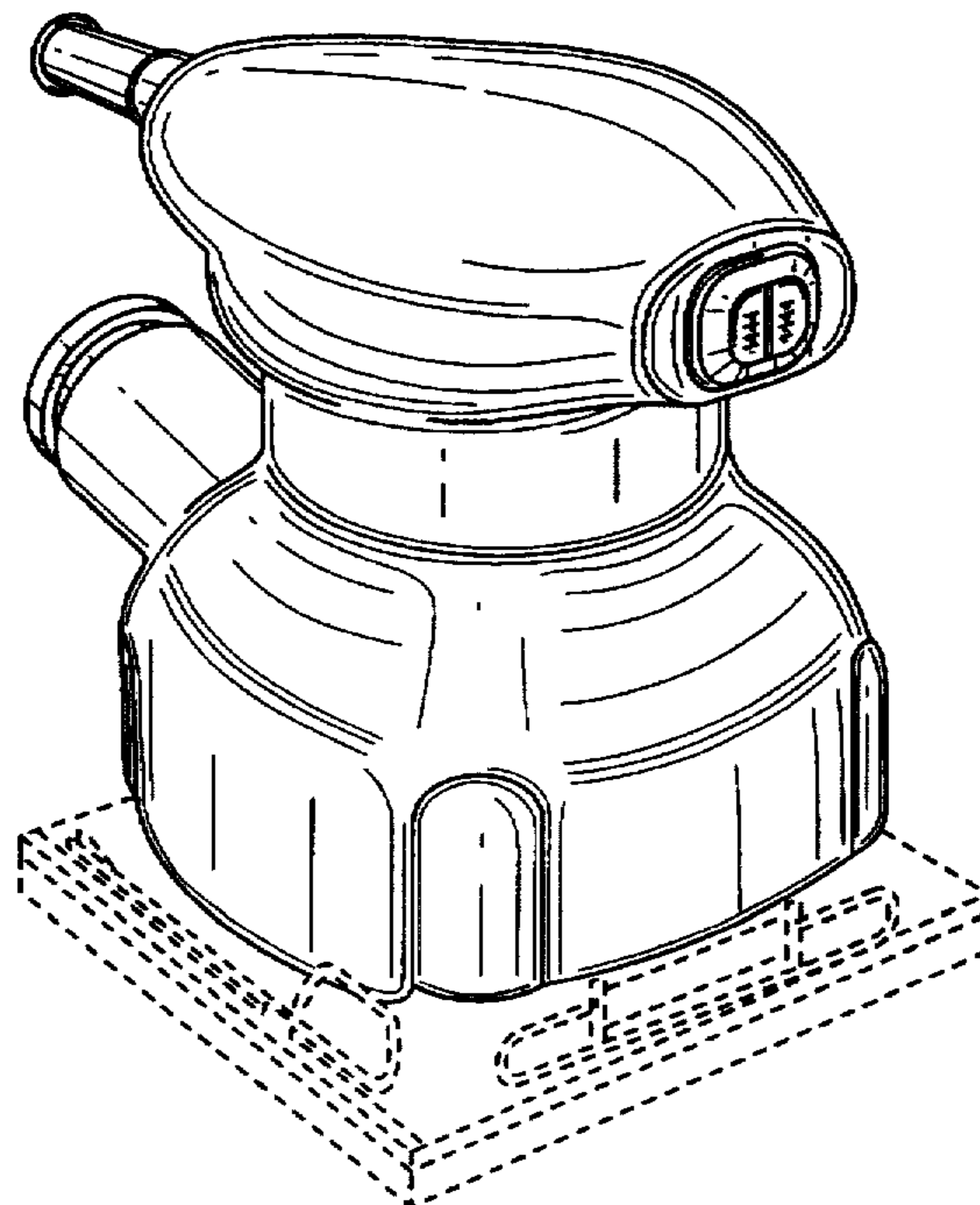
DESCRIPTION

U.S. PATENT DOCUMENTS

D. 269,845	7/1983	Hutchins	D8/5
D. 272,511	2/1984	Satio et al.	D8/62
D. 286,736	11/1986	Somers	D8/62
D. 310,007	8/1990	Saito et al.	D8/62
D. 323,963	2/1992	Bunyea	D8/62
D. 326,398	5/1992	Fushiya et al.	D8/62
D. 329,362	9/1992	Saito et al.	D8/62
D. 332,734	1/1993	Fushiya et al.	D8/62
D. 335,618	5/1993	Mogaki	D8/62
D. 345,089	3/1994	Kikuchi et al.	D8/62
D. 347,778	6/1994	Clowers et al.	D8/62
D. 352,437	11/1994	Chunn et al.	D8/62
D. 376,304	12/1996	Clowers et al.	D8/62
D. 386,376	11/1997	Kaneko et al.	D8/62
D. 392,861	3/1998	Gildersleeve et al.	D8/62
2,309,689	2/1943	Ahlskog	121/3
2,735,241	2/1956	Hilgers	51/170
2,795,901	6/1957	Mosbacher	51/170
2,825,188	3/1958	Champayne	51/170

FIG. 1 is a right-front perspective view of a sheet sander showing our new design.
FIG. 2 is a front elevational view thereof.
FIG. 3 is a rear elevational view thereof.
FIG. 4 is a right side elevational view thereof.
FIG. 5 is a left side elevational view thereof.
FIG. 6 is a top plan view thereof.
FIG. 7, which shows a second embodiment of the invention, is a right front perspective view thereof.
FIG. 8 is a front elevational view thereof.
FIG. 9 is a rear elevational view thereof.
FIG. 10 is a right side elevational view thereof.
FIG. 11 is a left side elevational view thereof; and,
FIG. 12 is a top plan view thereof.
The broken line showing of is for illustrative purposes only and forms no part of the claimed design.

1 Claim, 12 Drawing Sheets



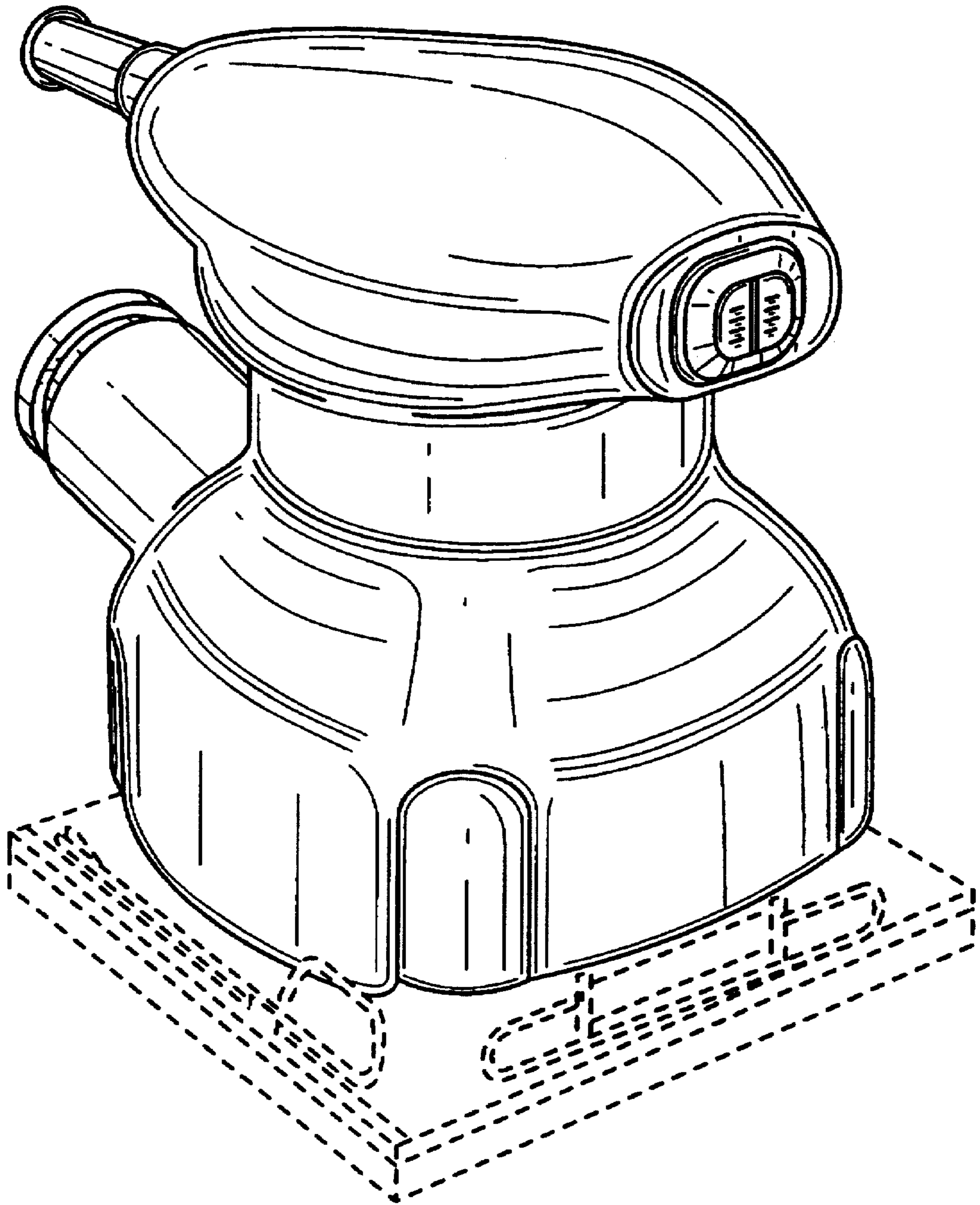


FIG. 1

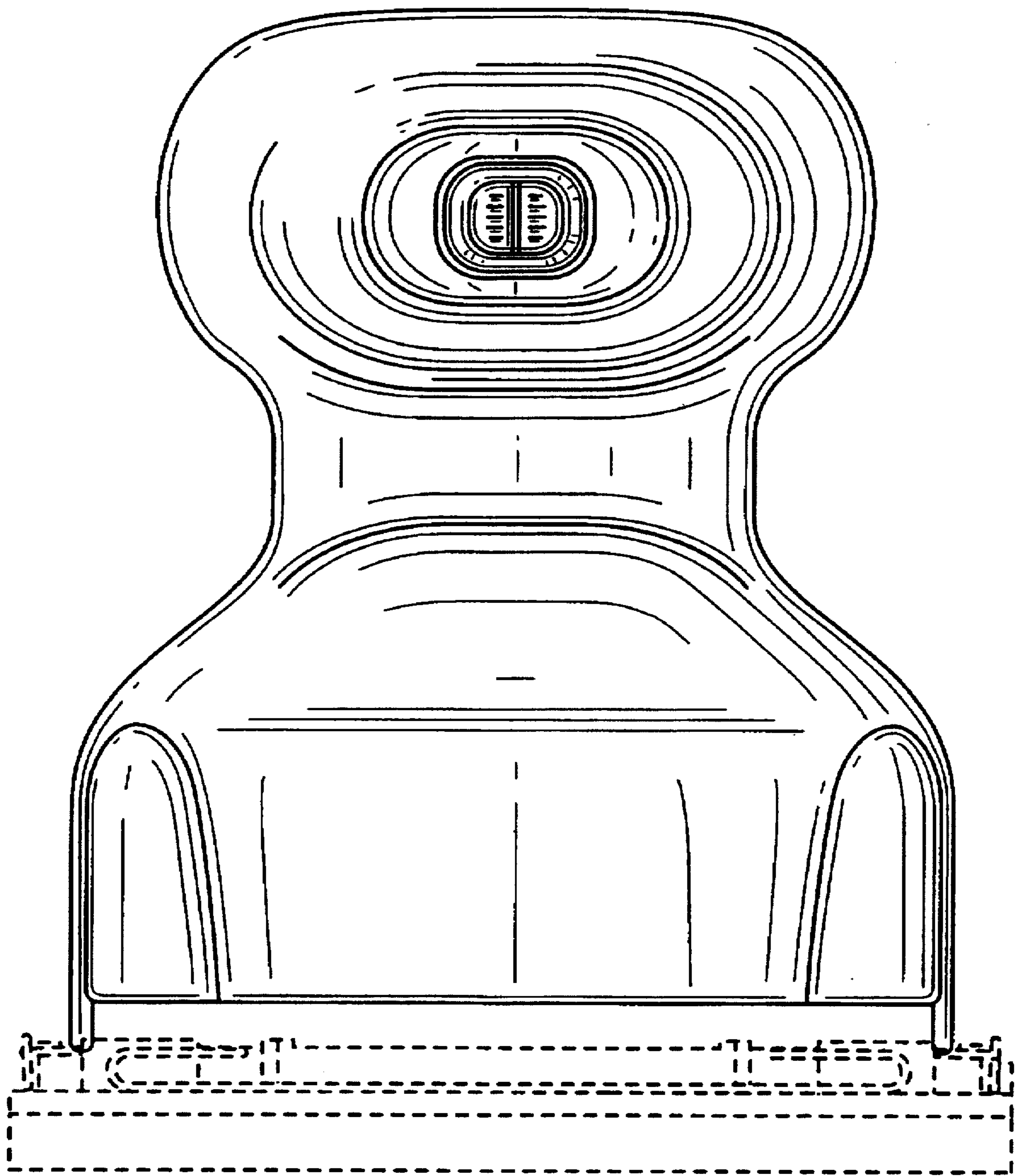


FIG. 2

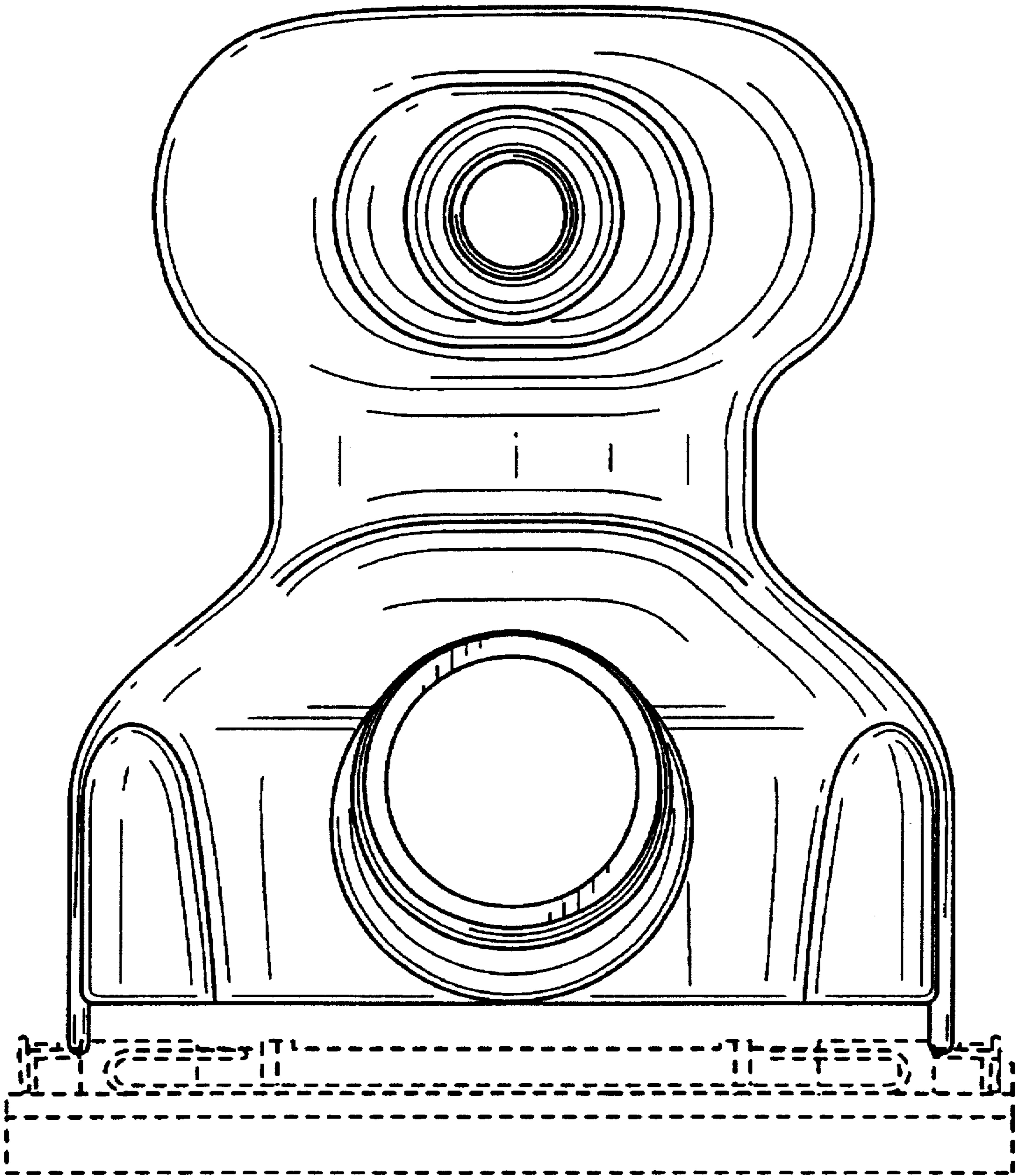


FIG. 3

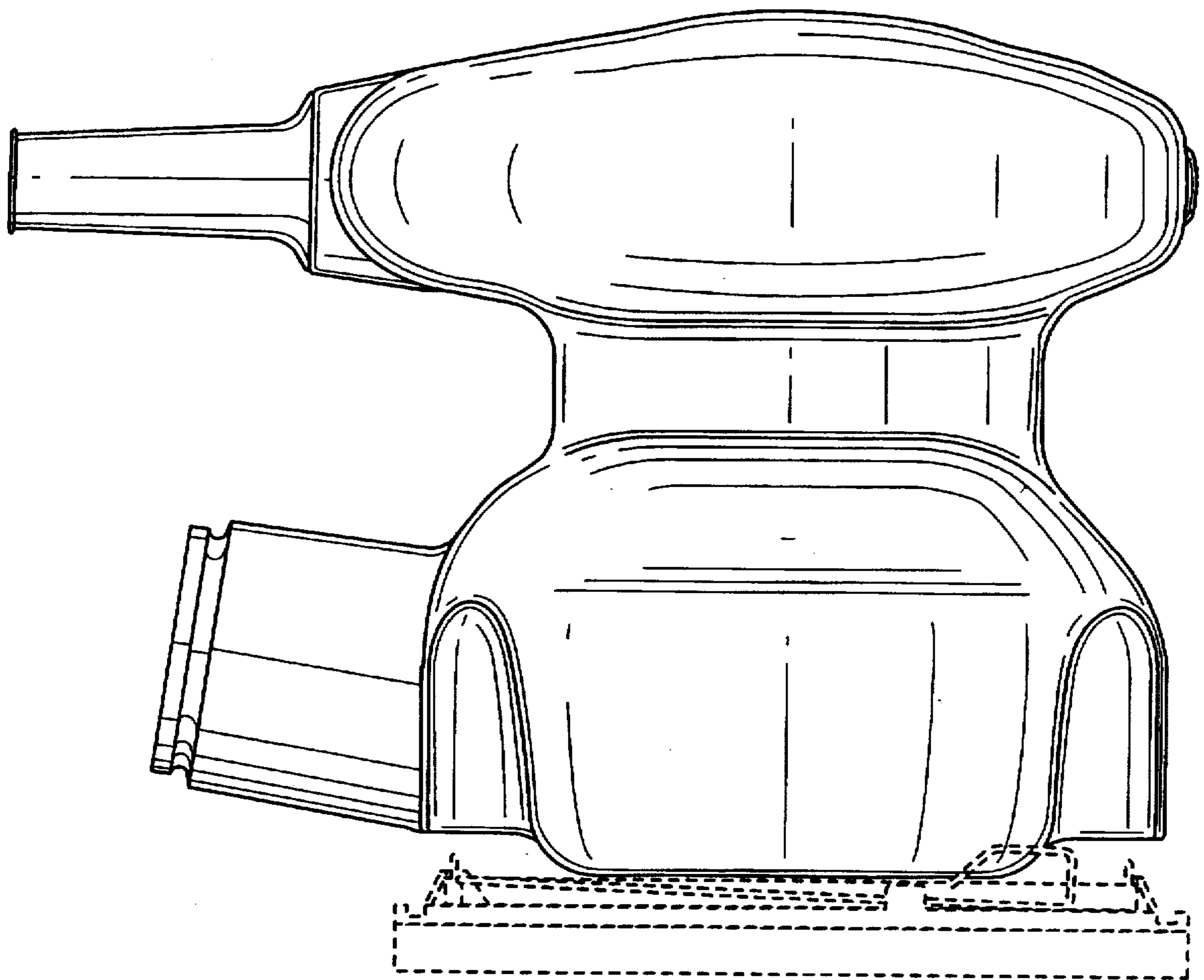


FIG. 4

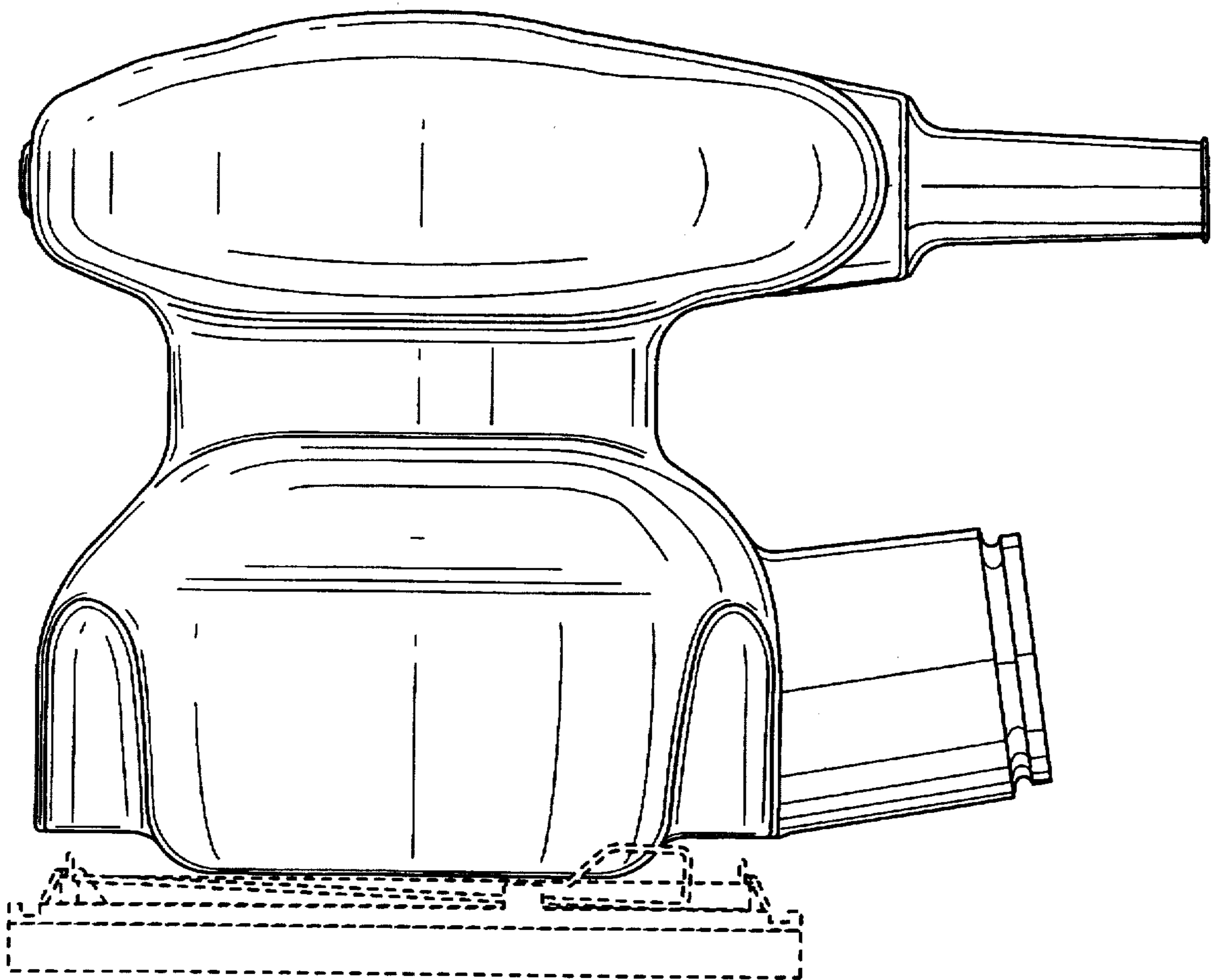


FIG. 5

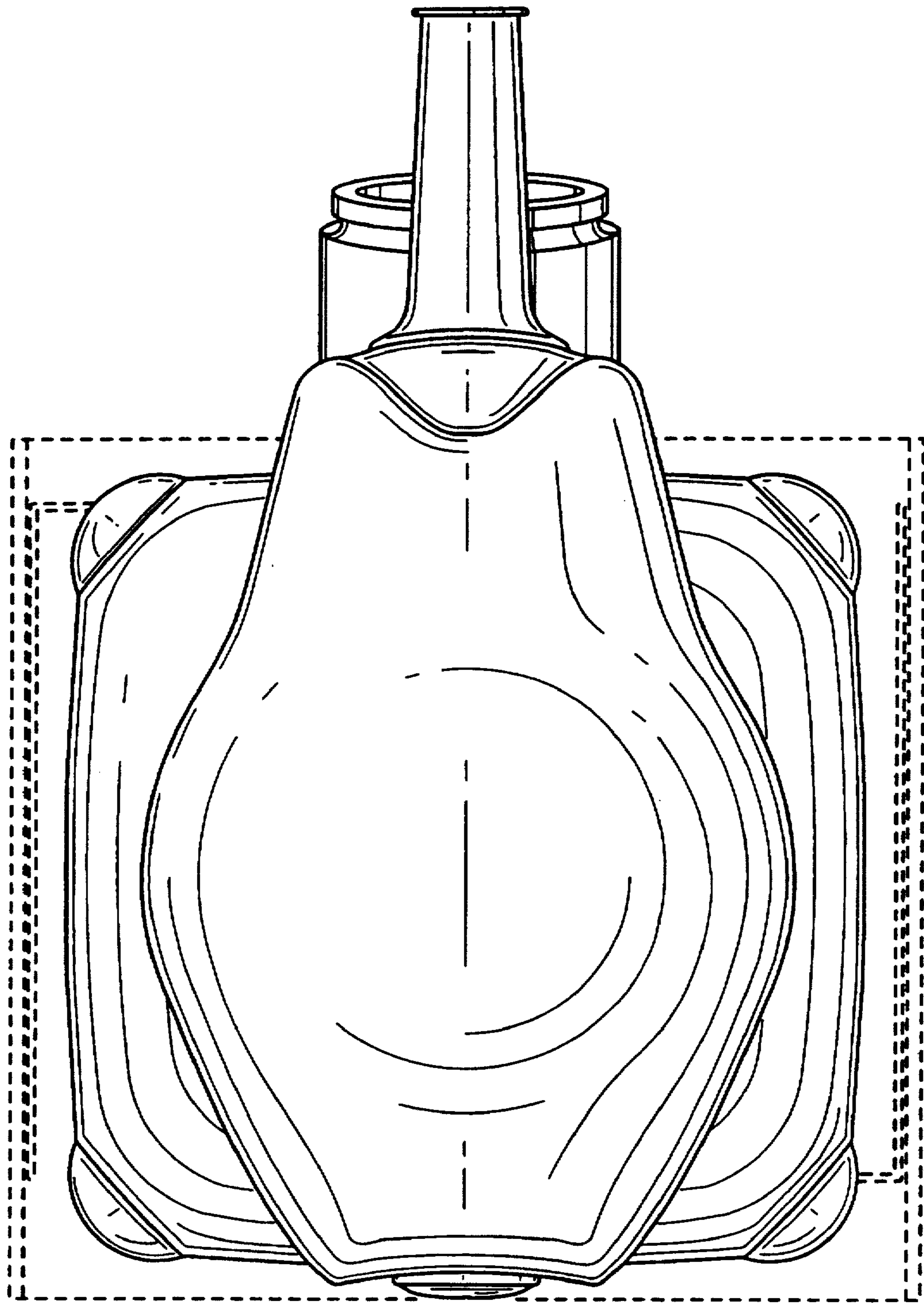


FIG. 6

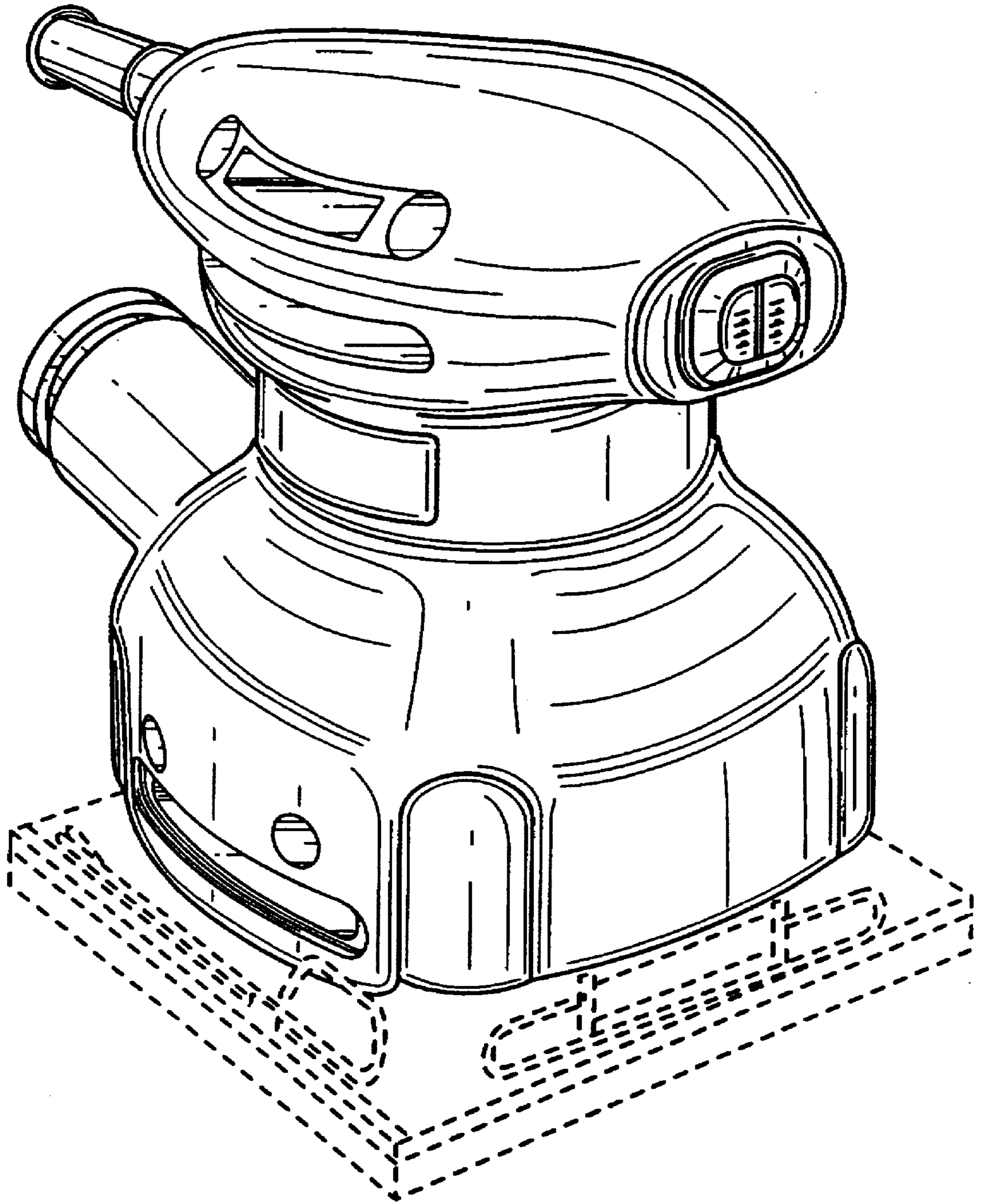


FIG. 7

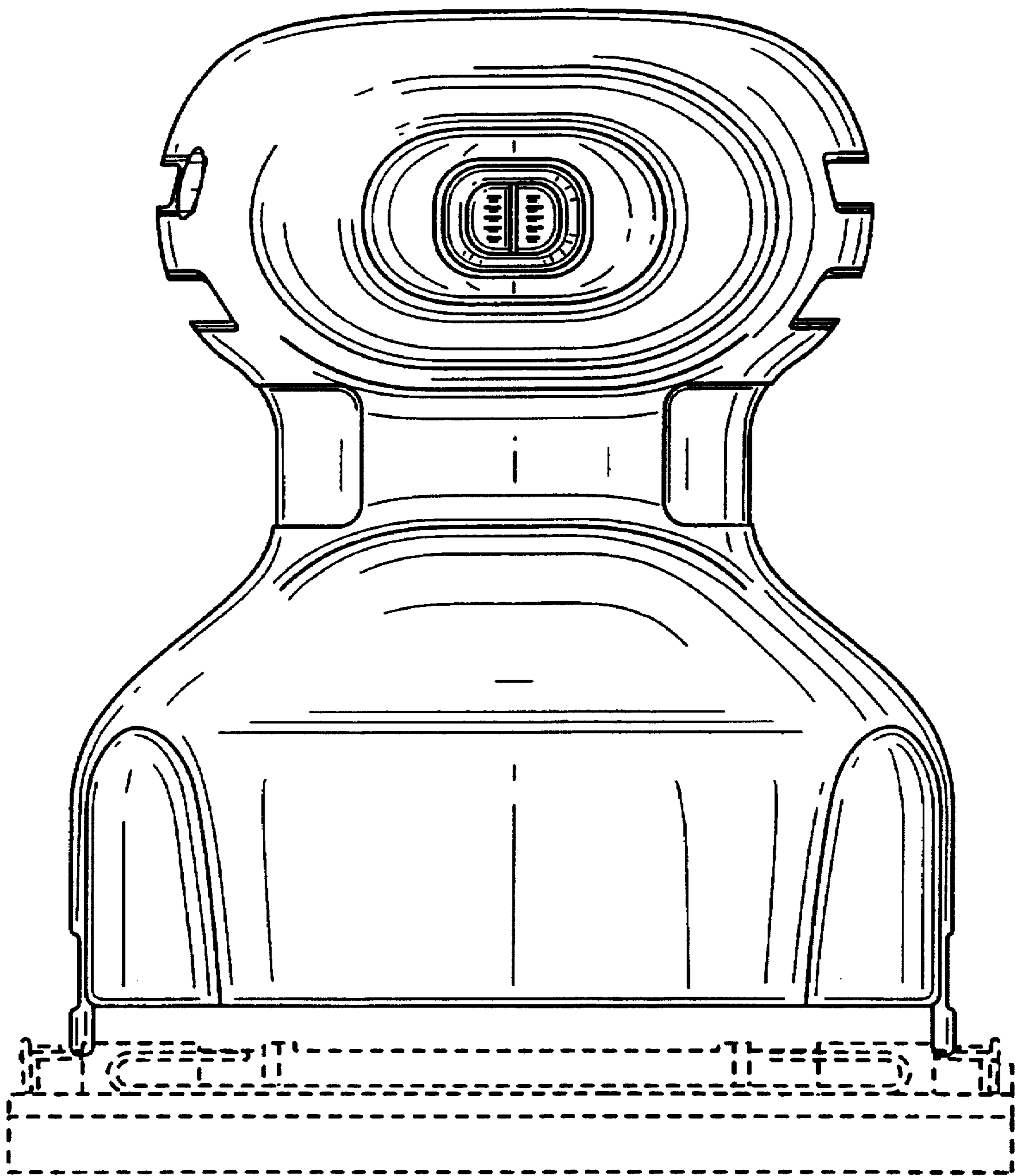


FIG. 8

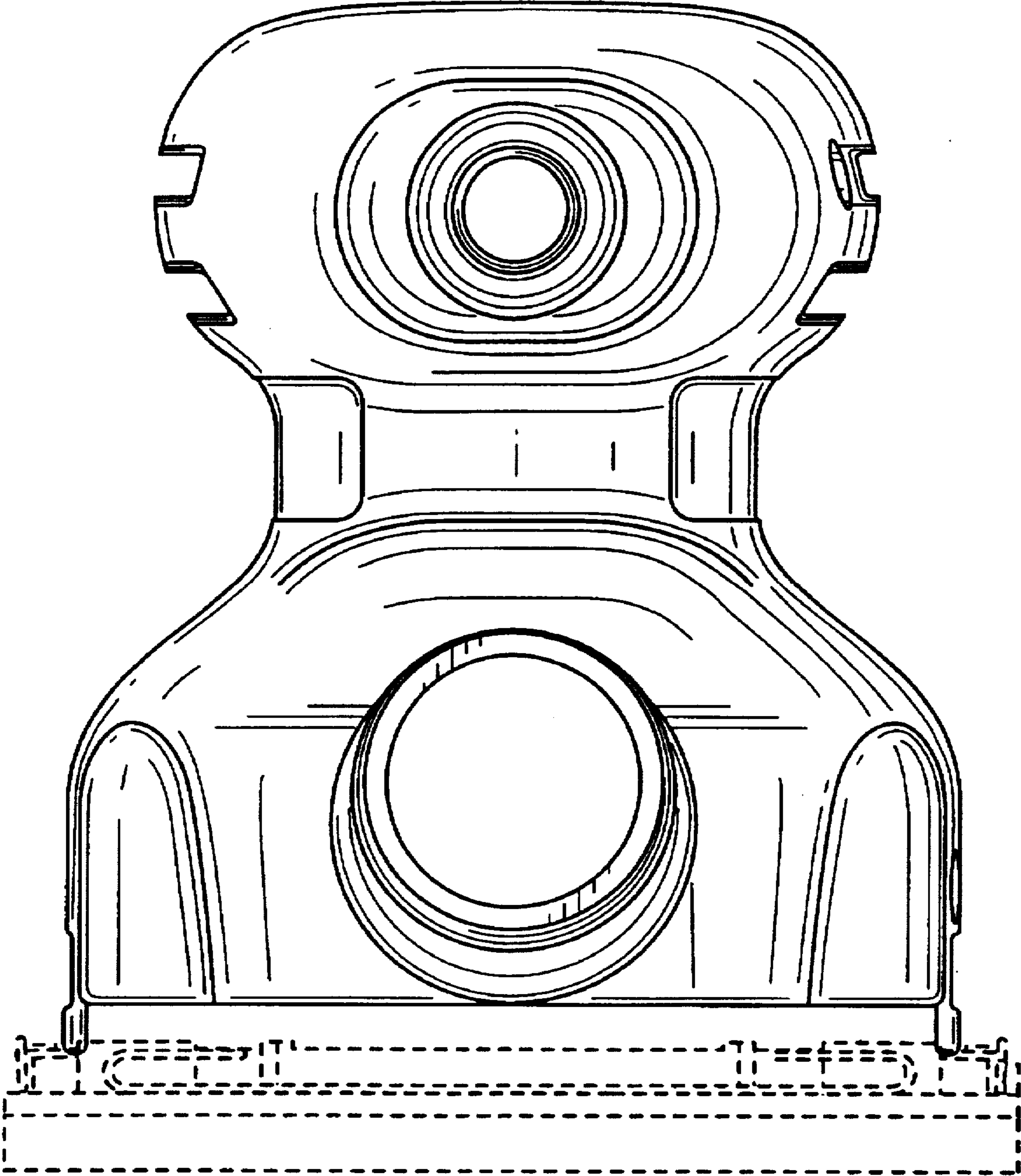


FIG. 9

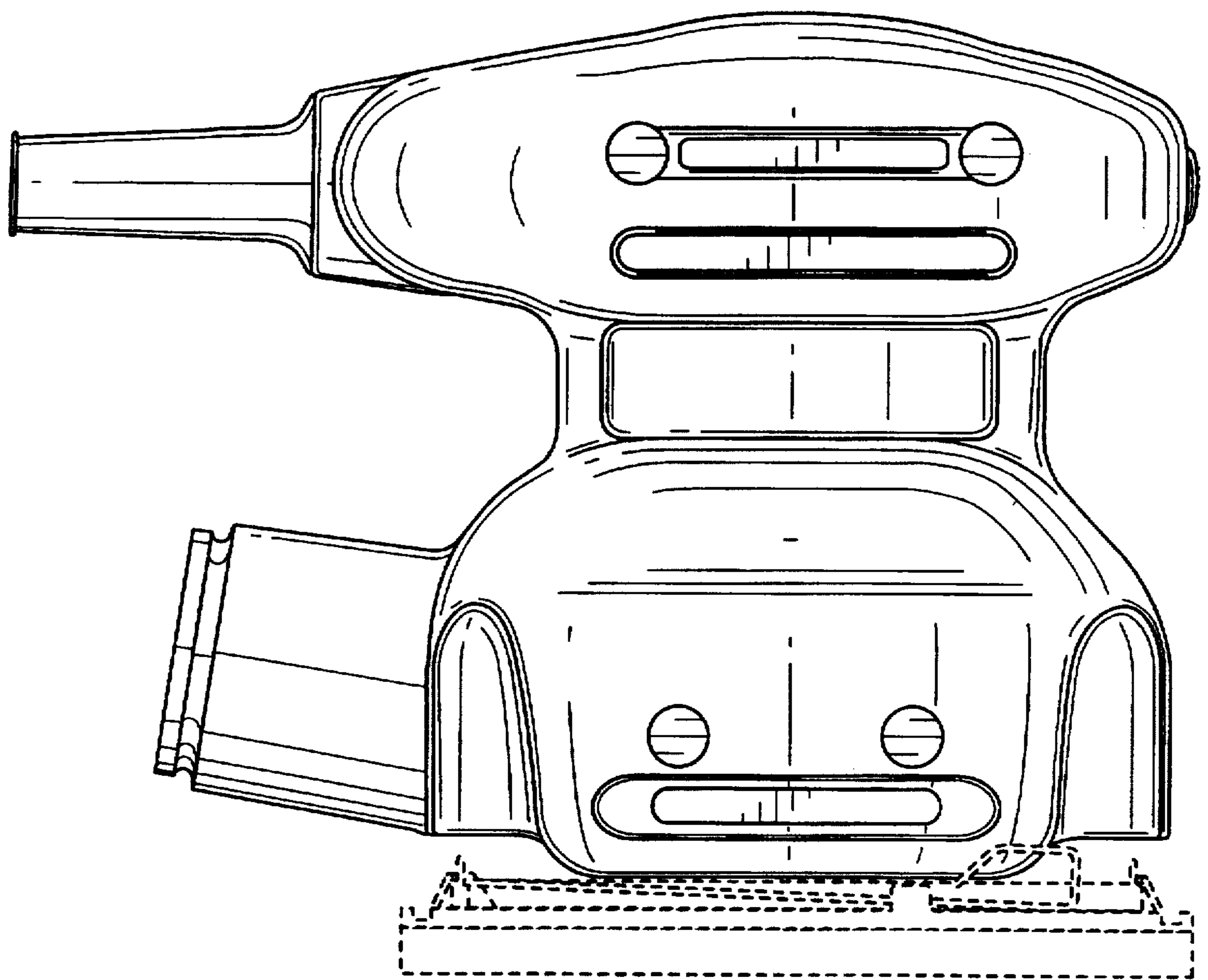


FIG. 10

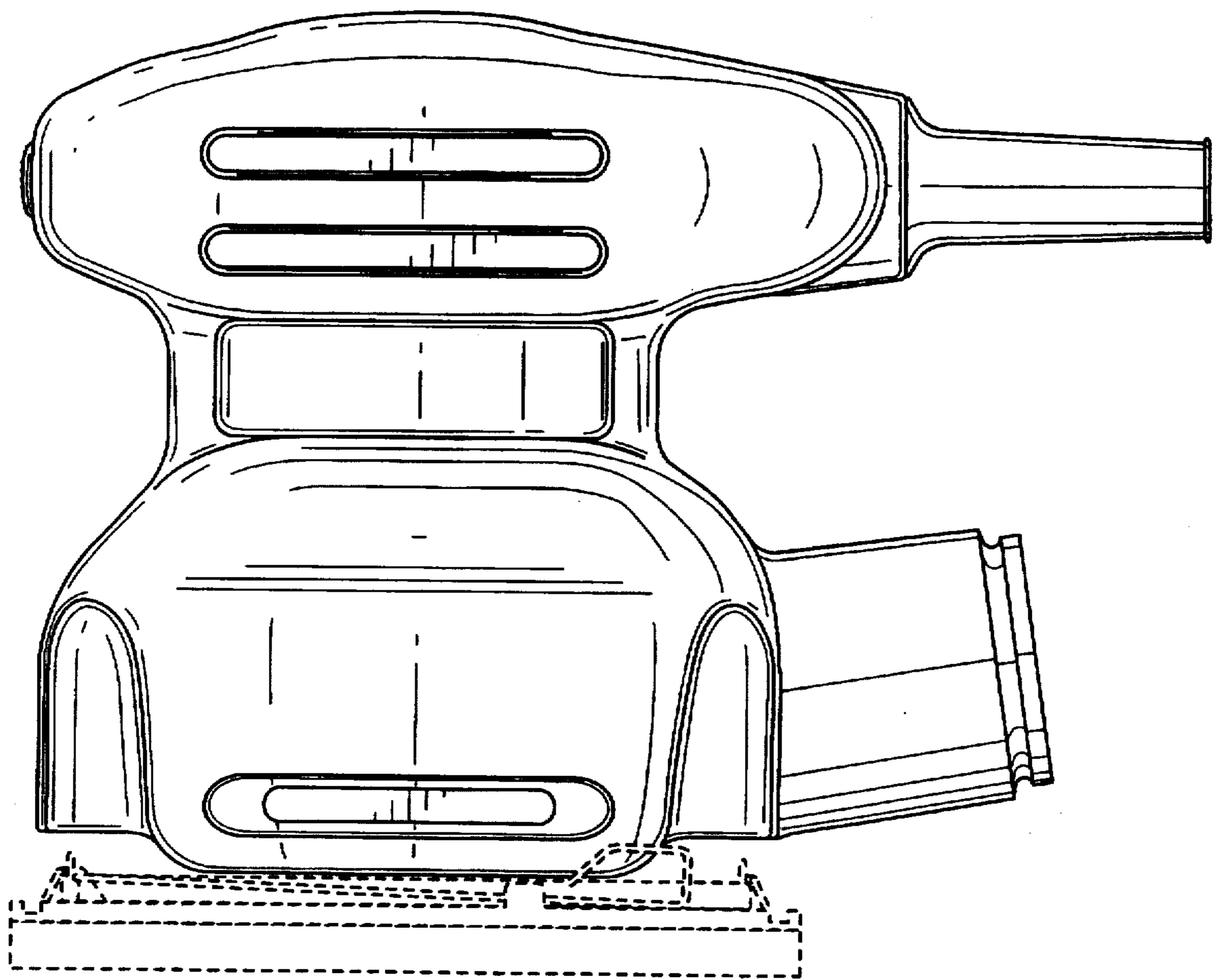


FIG. 11

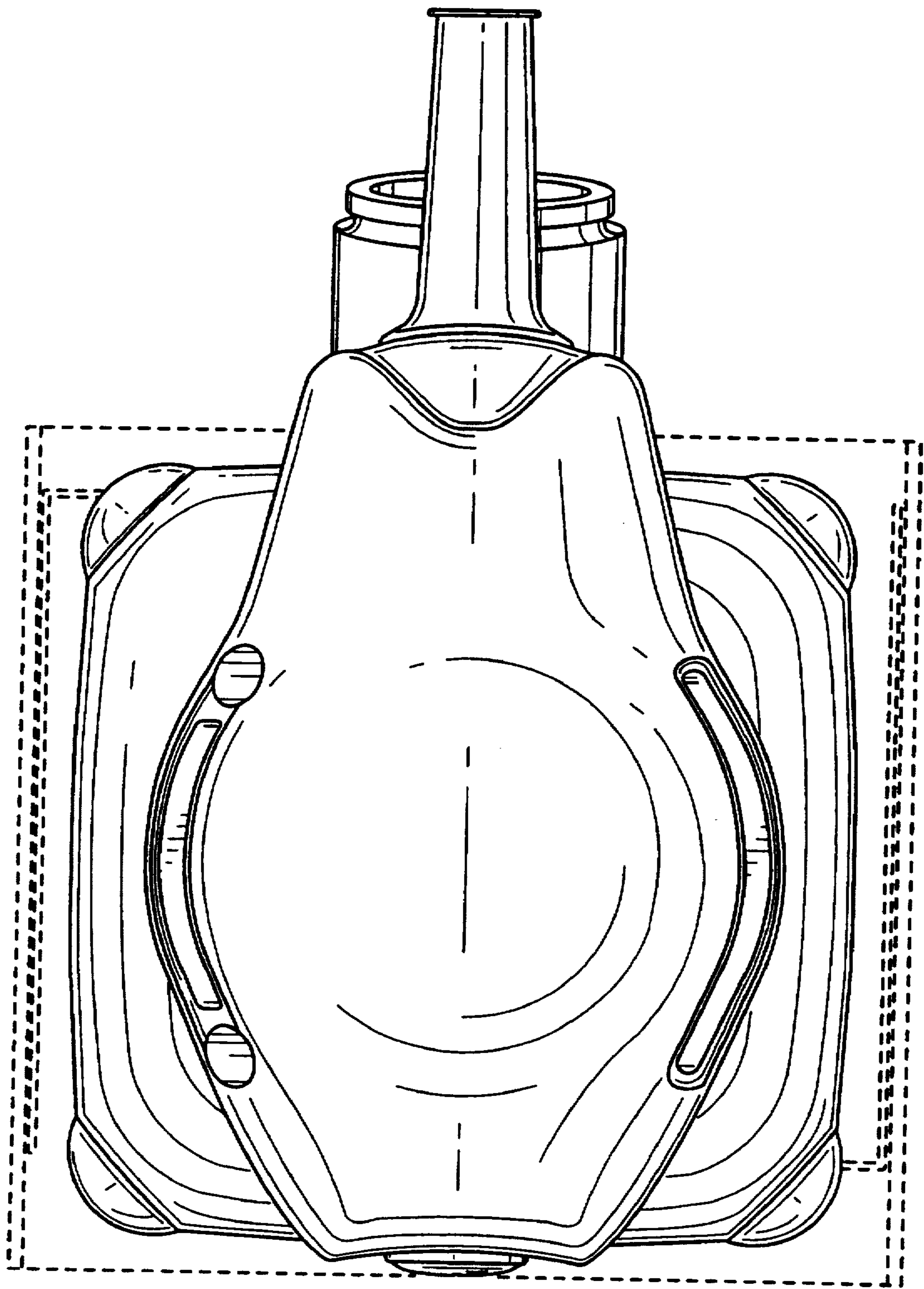


FIG. 12