

US00D408242S

United States Patent [19]

Yamamoto

[11] Patent Number: Des. 408,242

[45] Date of Patent: **Apr. 20, 1999

[54] COMPRESSION TOOL

[75] Inventor: Masafumi Yamamoto, Nagano-Ken, Japan

[73] Assignee: Izumi Products Company, Nagano, Japan

[**] Term: 14 Years

[21] Appl. No.: 29/081,573

[22] Filed: Jan. 6, 1998

[51] LOC (6) CL 08-03

[52] U.S. Cl. D8/61

[58] Field of Search D8/61; 60/477-479, 60/325

[56] References Cited

U.S. PATENT DOCUMENTS

D. 272,512	2/1984	Sakai et al.	D8/61
D. 346,539	5/1994	Saito	D8/61
5,802,850	9/1998	Kimura	60/479

Primary Examiner—Antoine Duval Davis

Attorney, Agent, or Firm—Longacre & White

[57] CLAIM

The ornamental design for a compression tool, as shown and described.

DESCRIPTION

FIG. 1 is a front perspective view of a compression tool showing my new design.

FIG. 2 is a rear perspective view of the compression tool shown in FIG. 1.

FIG. 3 is a front elevational view of the compression tool shown in FIG. 1.

FIG. 4 is a rear elevational view of the compression tool shown in FIG. 1.

FIG. 5 is a top plan view of the compression tool shown in FIG. 1.

FIG. 6 is a bottom plan view of the compression tool shown in FIG. 1.

FIG. 7 is a left side elevation view of the compression tool shown in FIG. 1; and,

FIG. 8 is a right side elevation view of the compression tool shown in FIG. 1.

1 Claim, 6 Drawing Sheets

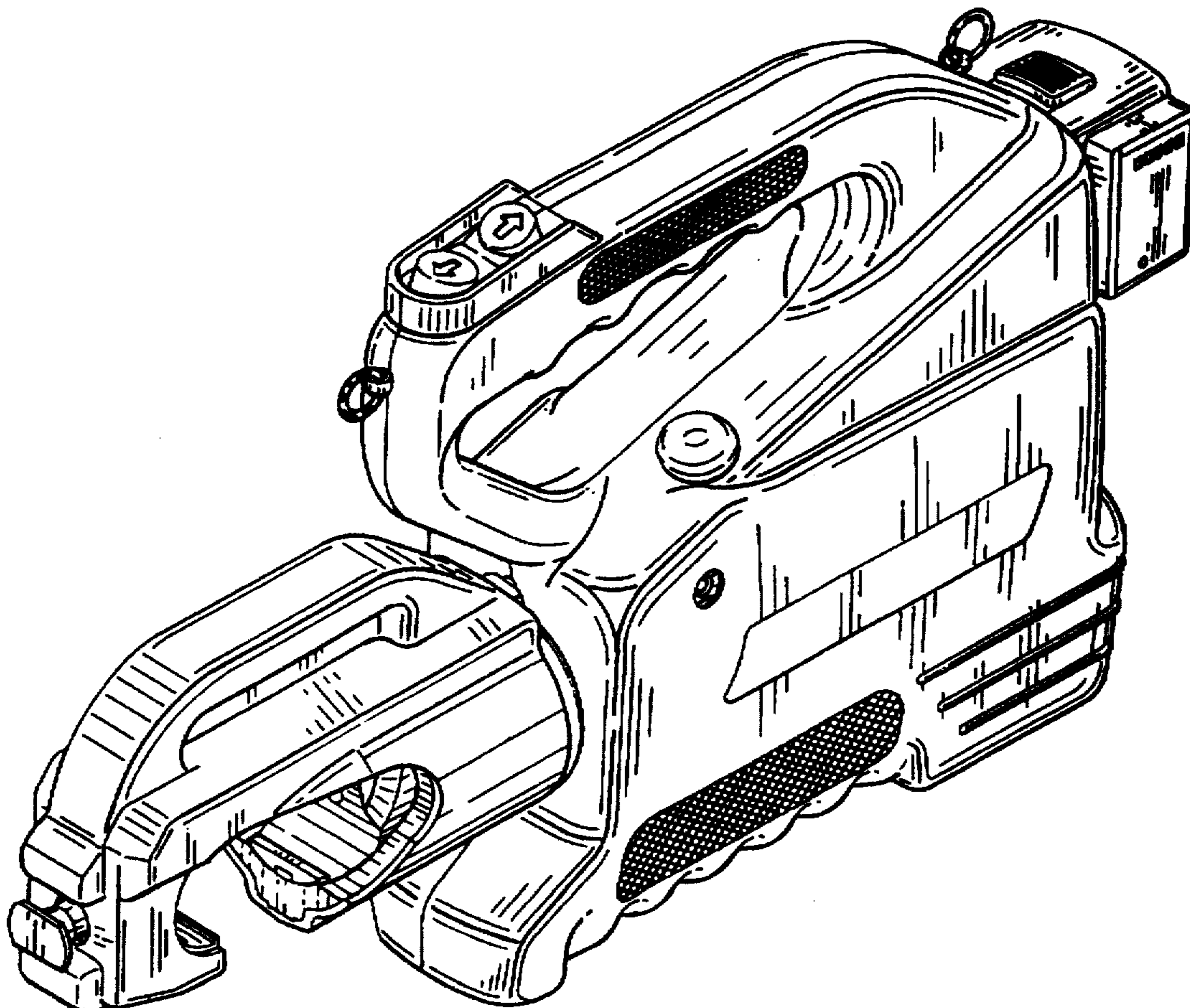


FIG. 1

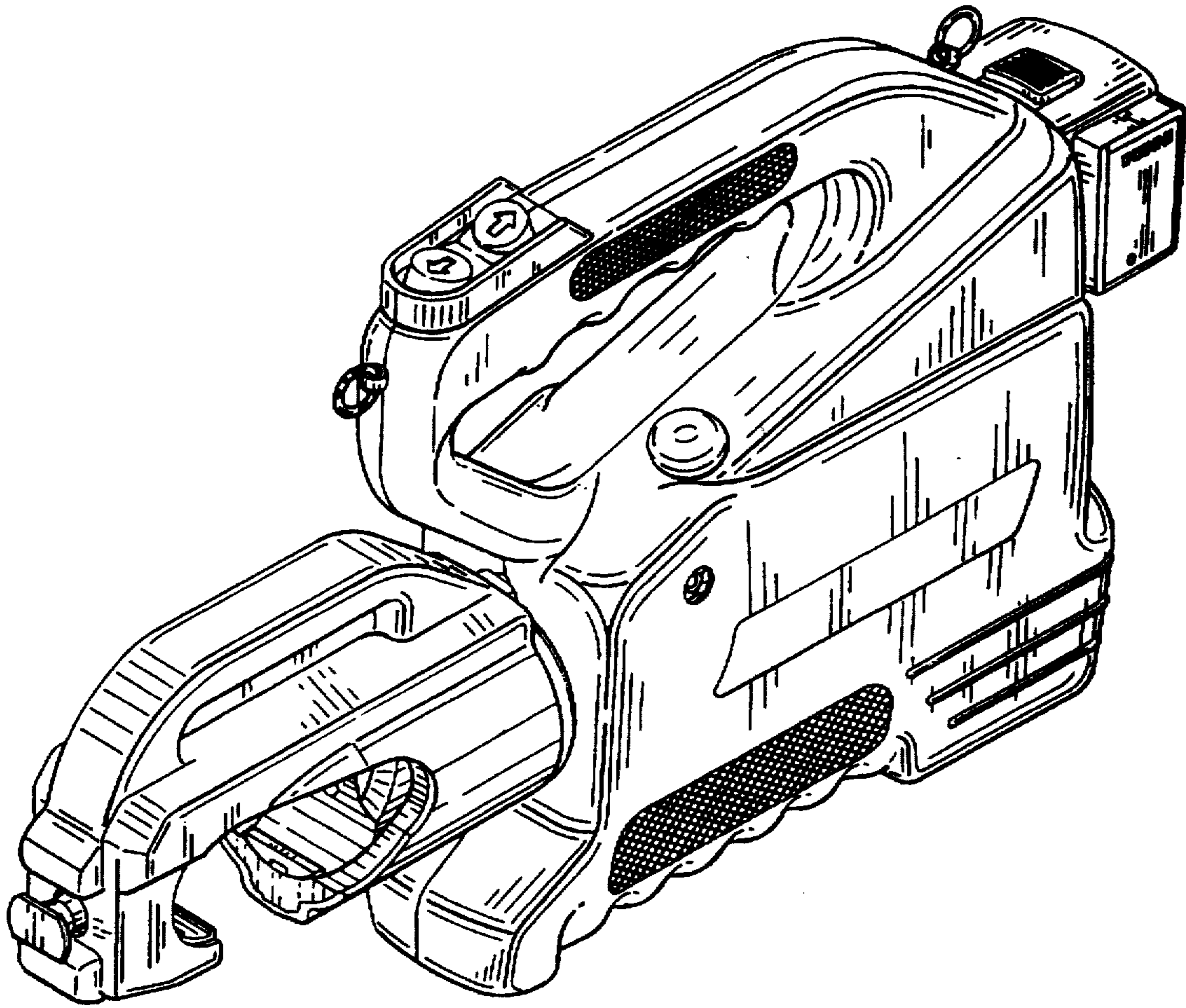


FIG. 2

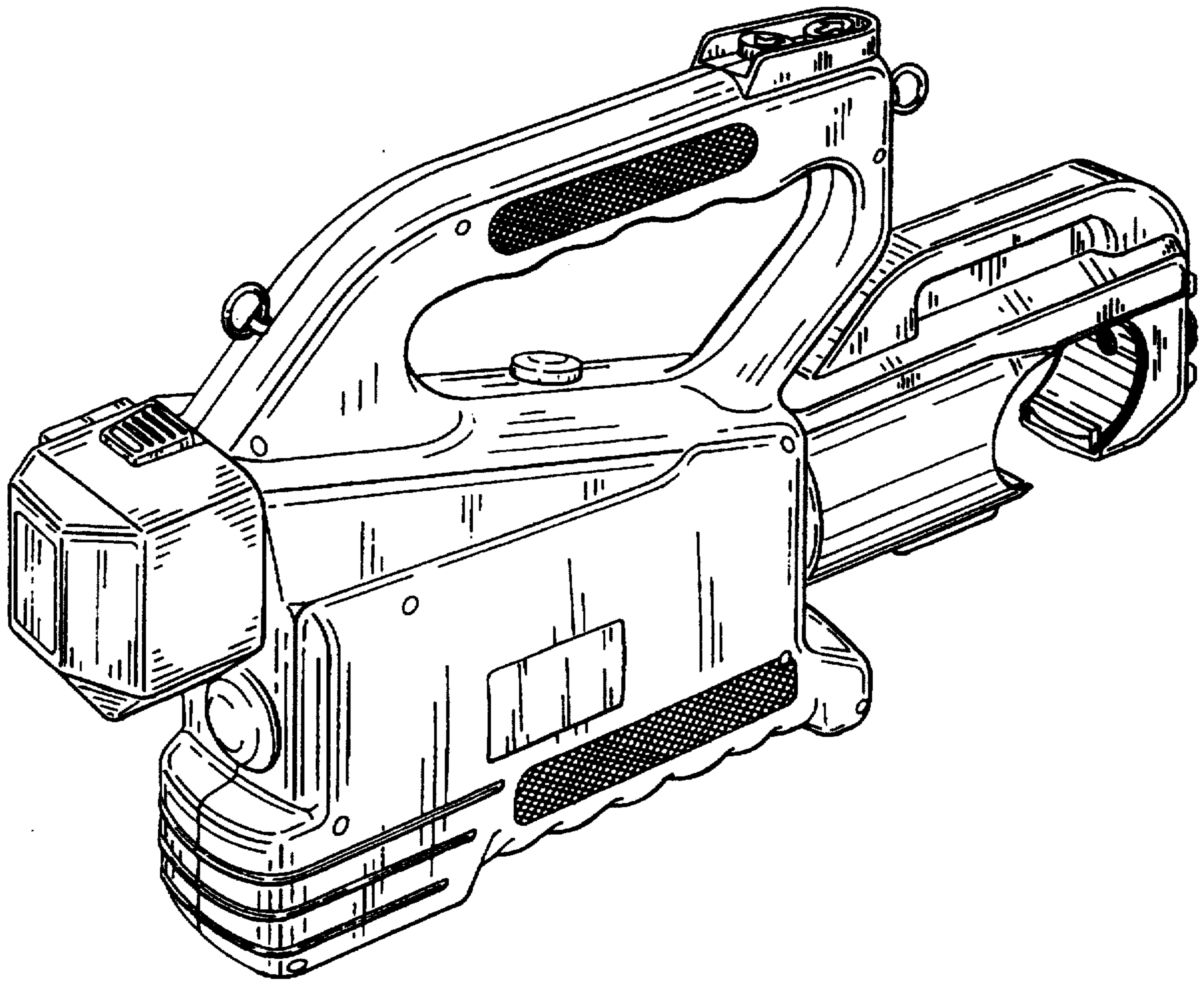


FIG. 3

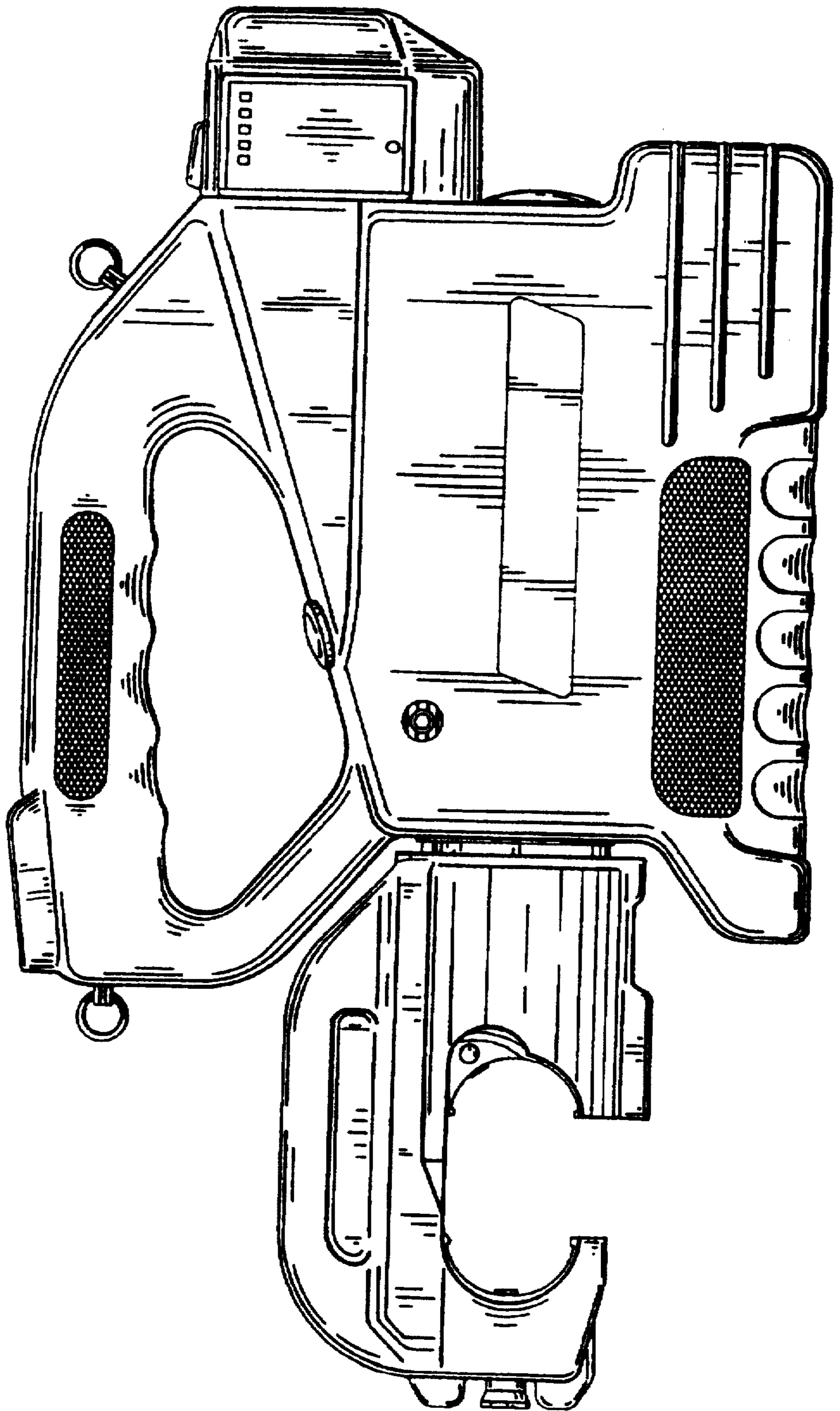


FIG. 4

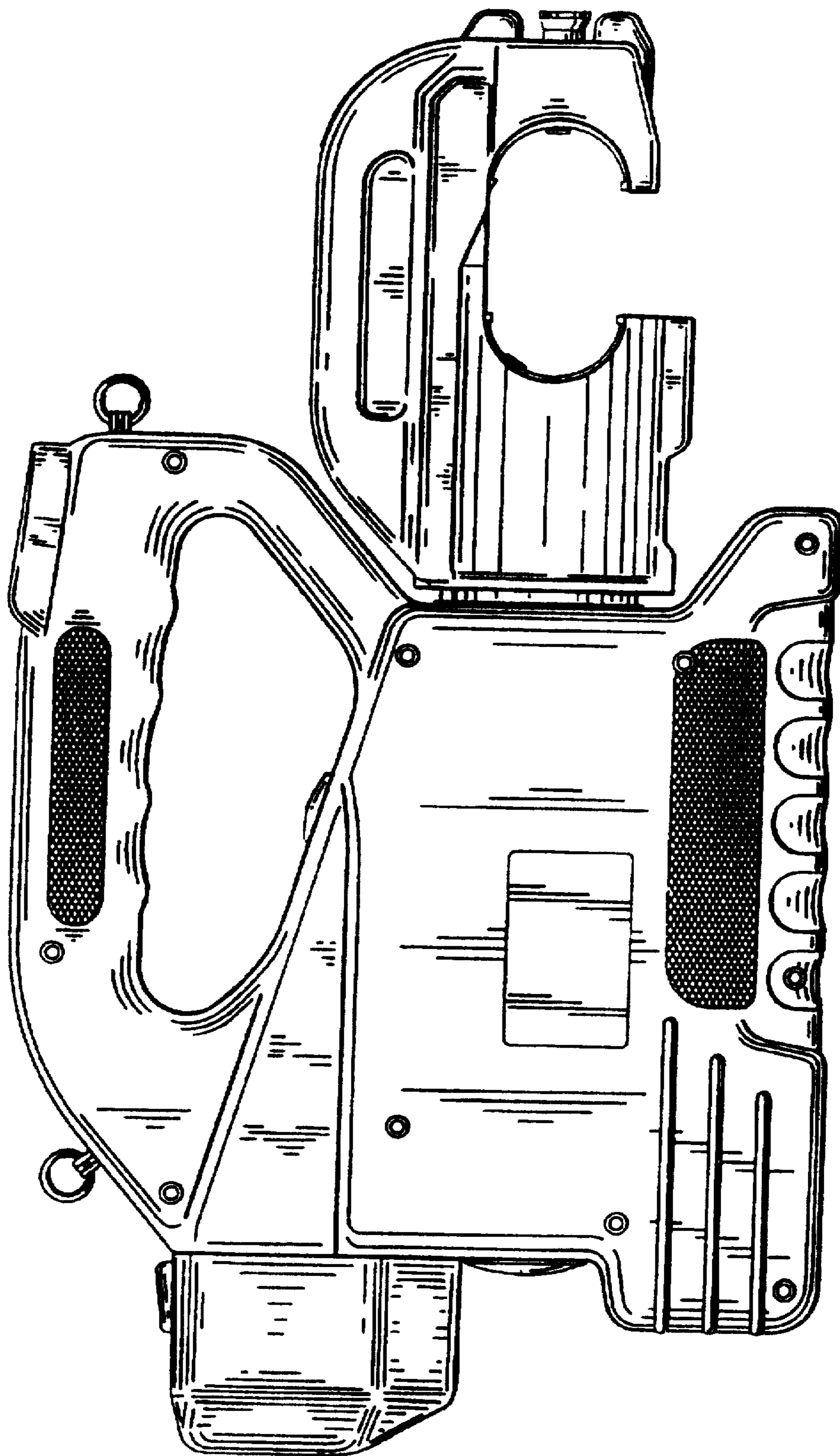


FIG. 5

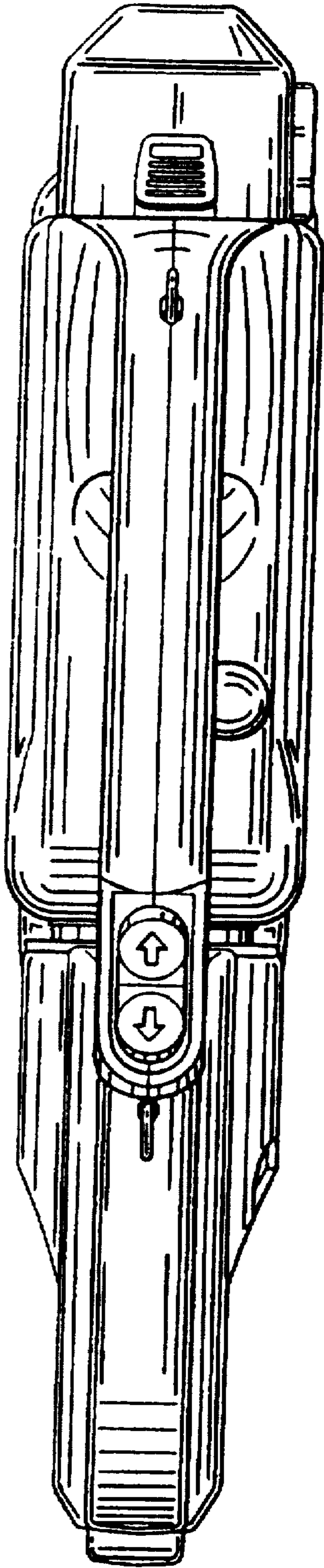


FIG. 6

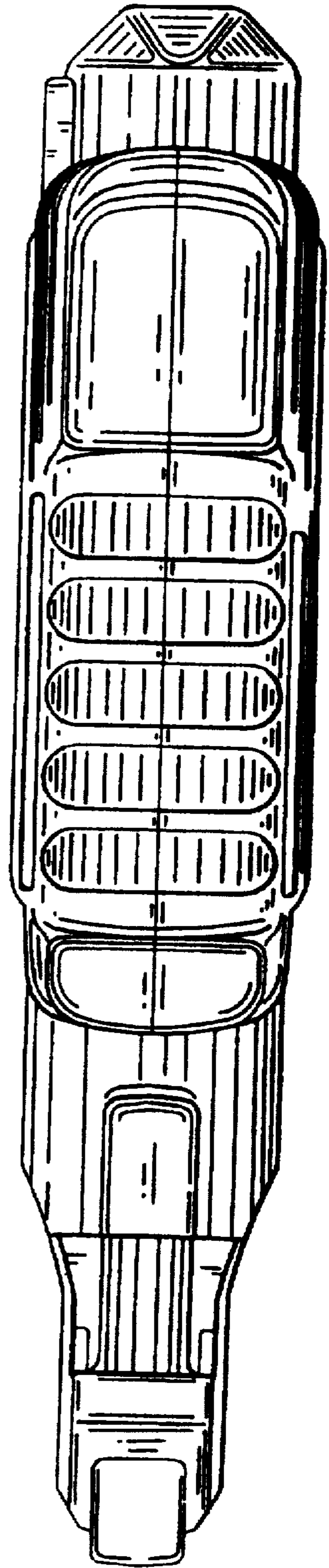


FIG. 7

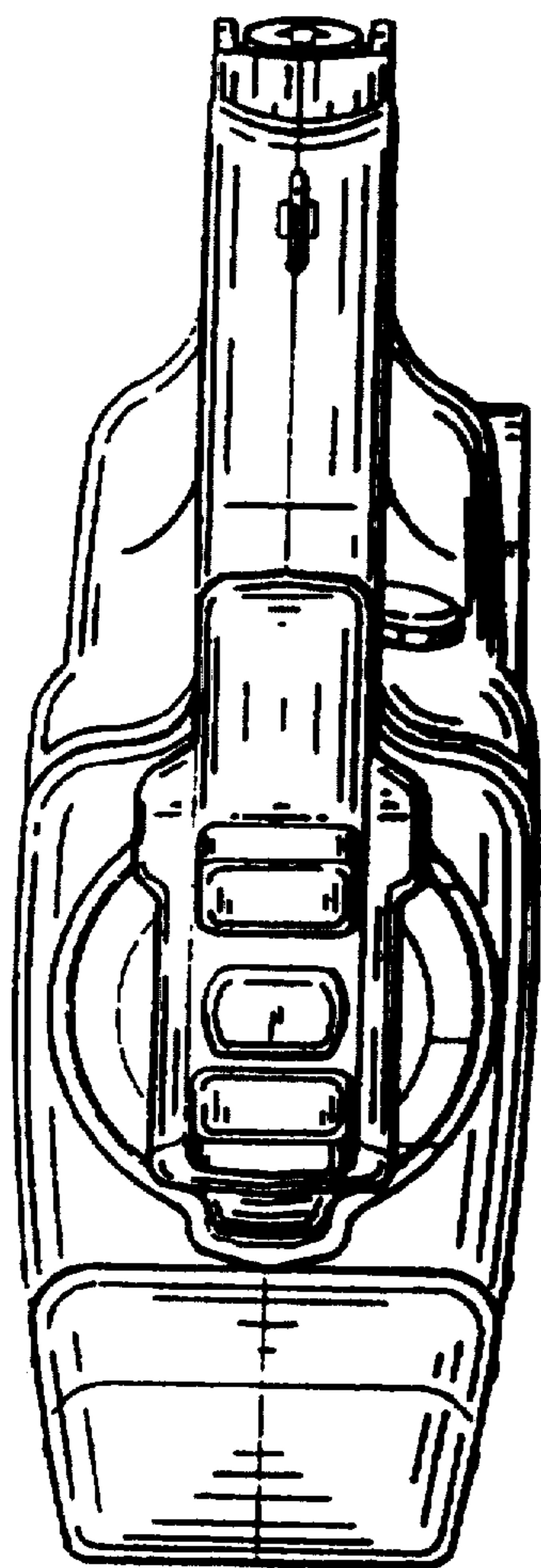


FIG. 8

