



US00D408241S

United States Patent [19]
Jansson

[11] **Patent Number: Des. 408,241**
[45] **Date of Patent: **Apr. 20, 1999**

[54] **PORTABLE ANGLE TYPE POWER TOOL**

5,636,698 6/1997 Estep et al. 81/57.13 X

[75] **Inventor: Anders Urban Jansson, Älvsjö, Sweden**

Primary Examiner—Antoine Duval Davis
Attorney, Agent, or Firm—Frishauf, Holtz, Goodman, Langer & Chick

[73] **Assignee: Atlas Copco Tools AB, Nacka, Sweden**

[**] **Term: 14 Years**

[57] **CLAIM**

[21] **Appl. No.: 29/078,911**

The ornamental design for a portable angle type power tool, as shown.

[22] **Filed: Nov. 5, 1997**

DESCRIPTION

Related U.S. Application Data

[63] **Continuation-in-part of application No. 29/078,121, Oct. 17, 1997.**

FIG. 1 shows a top view of a portable angle type power tool showing my new design;

[30] **Foreign Application Priority Data**

Apr. 17, 1997 [SE] Sweden 97-0900-7

FIG. 2 is a right side elevational view thereof;

[51] **LOC (6) CL 08-05**

[52] **U.S. Cl. D8/61**

FIG. 3 is a front end, upper and left side perspective view thereof;

[58] **Field of Search D8/61; 81/57.11, 81/57.13, 57.14, 57.29, 57.39, 57.42, 60-63.2**

FIG. 4 is a front end view thereof;

FIG. 5 is a left side elevational view thereof;

FIG. 6 is a bottom plan view thereof;

FIG. 7 is a bottom, rear end and right side perspective view thereof; and,

FIG. 8 is a rear end view thereof.

[56] **References Cited**

U.S. PATENT DOCUMENTS

D. 298,908 12/1988 Clemens D8/61

1 Claim, 3 Drawing Sheets

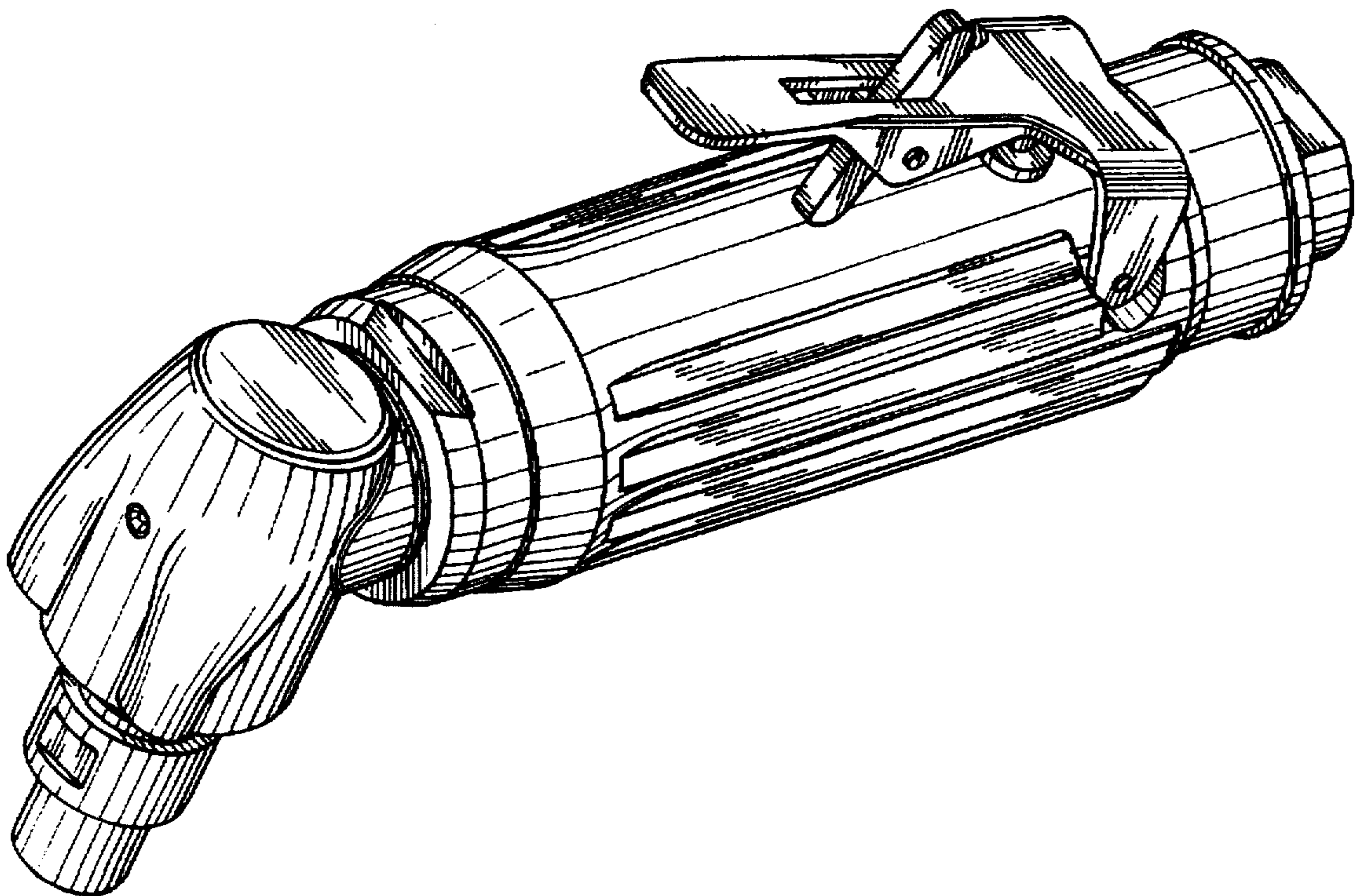


FIG. 1

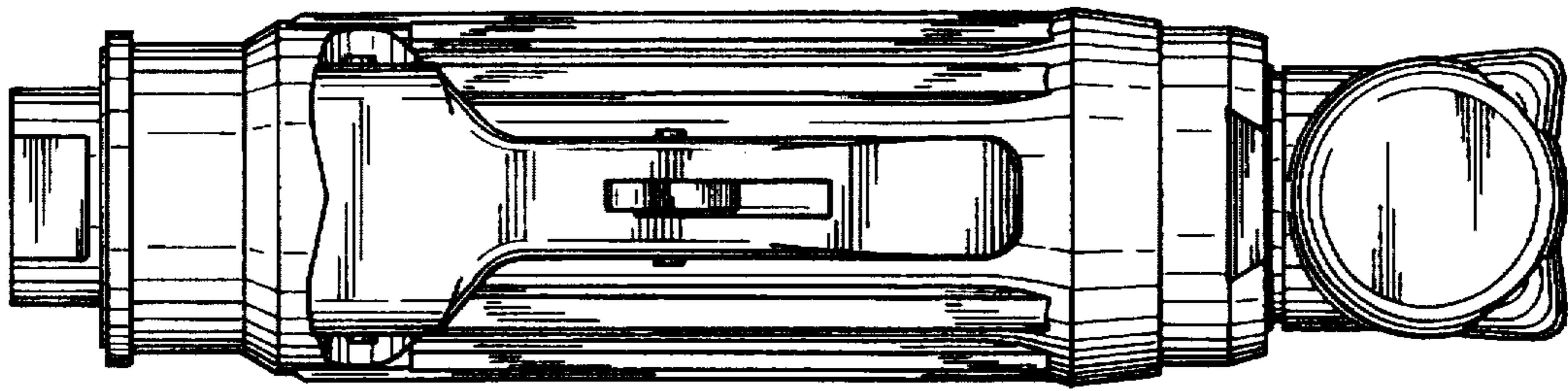


FIG. 2

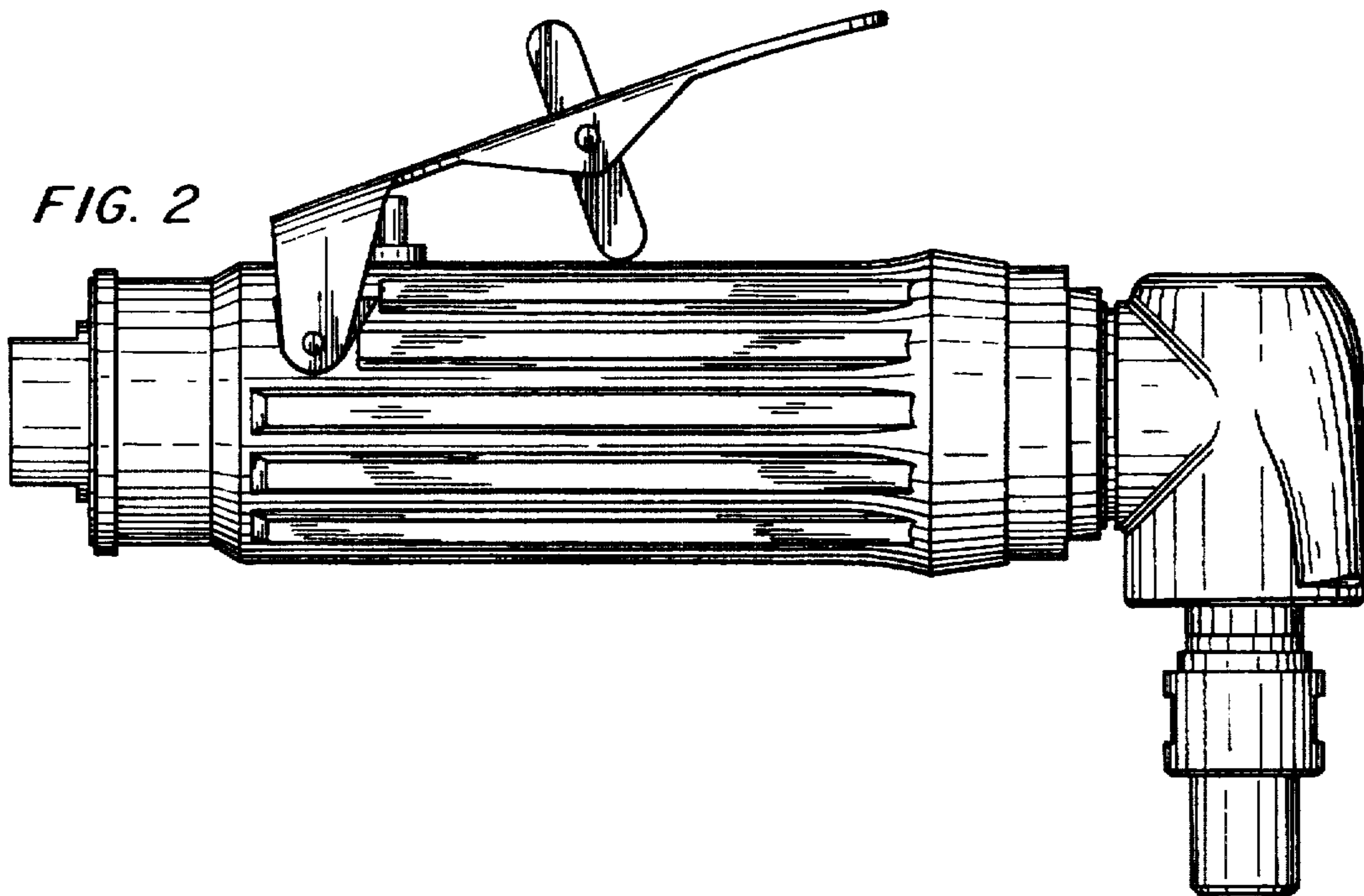


FIG. 3

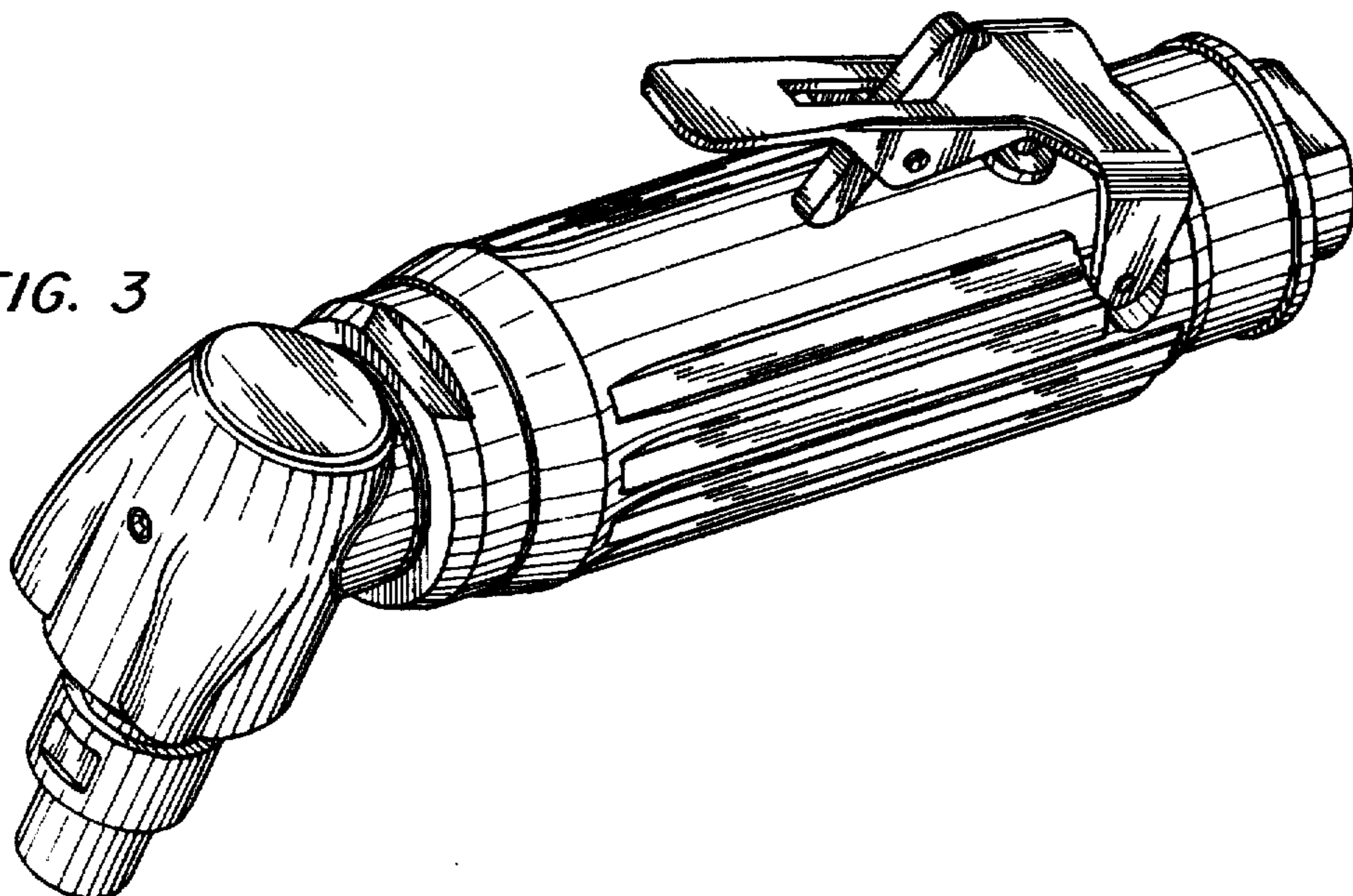


FIG. 4

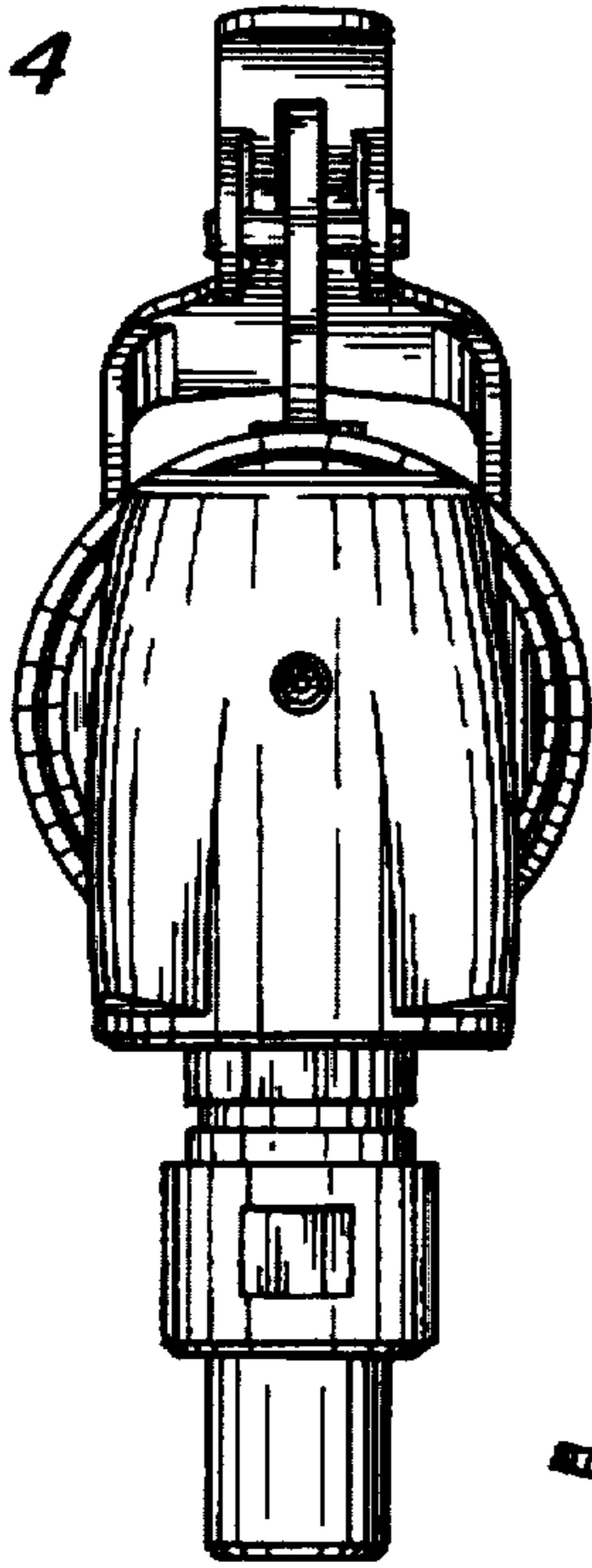


FIG. 5

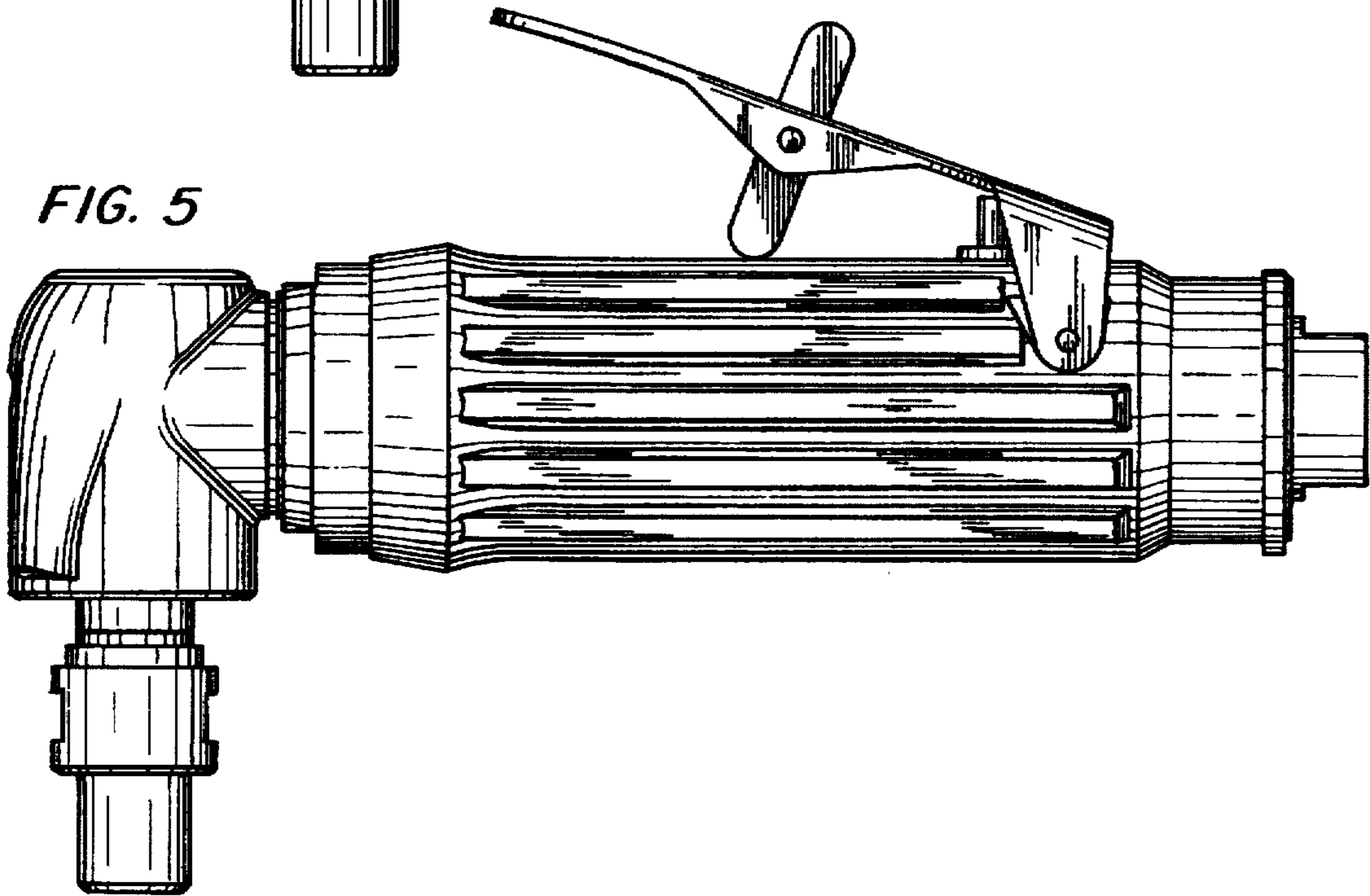


FIG. 6

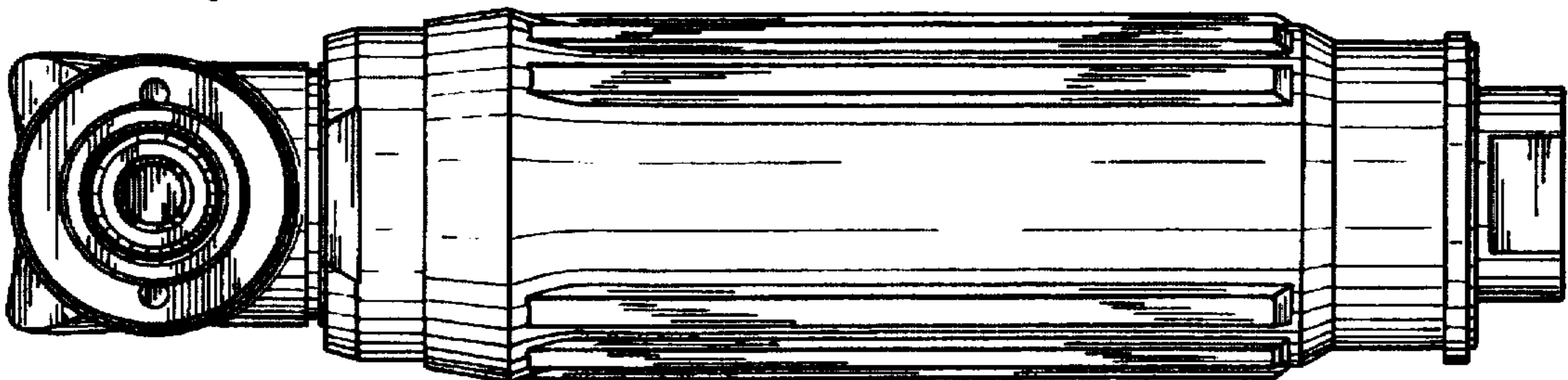


FIG. 7

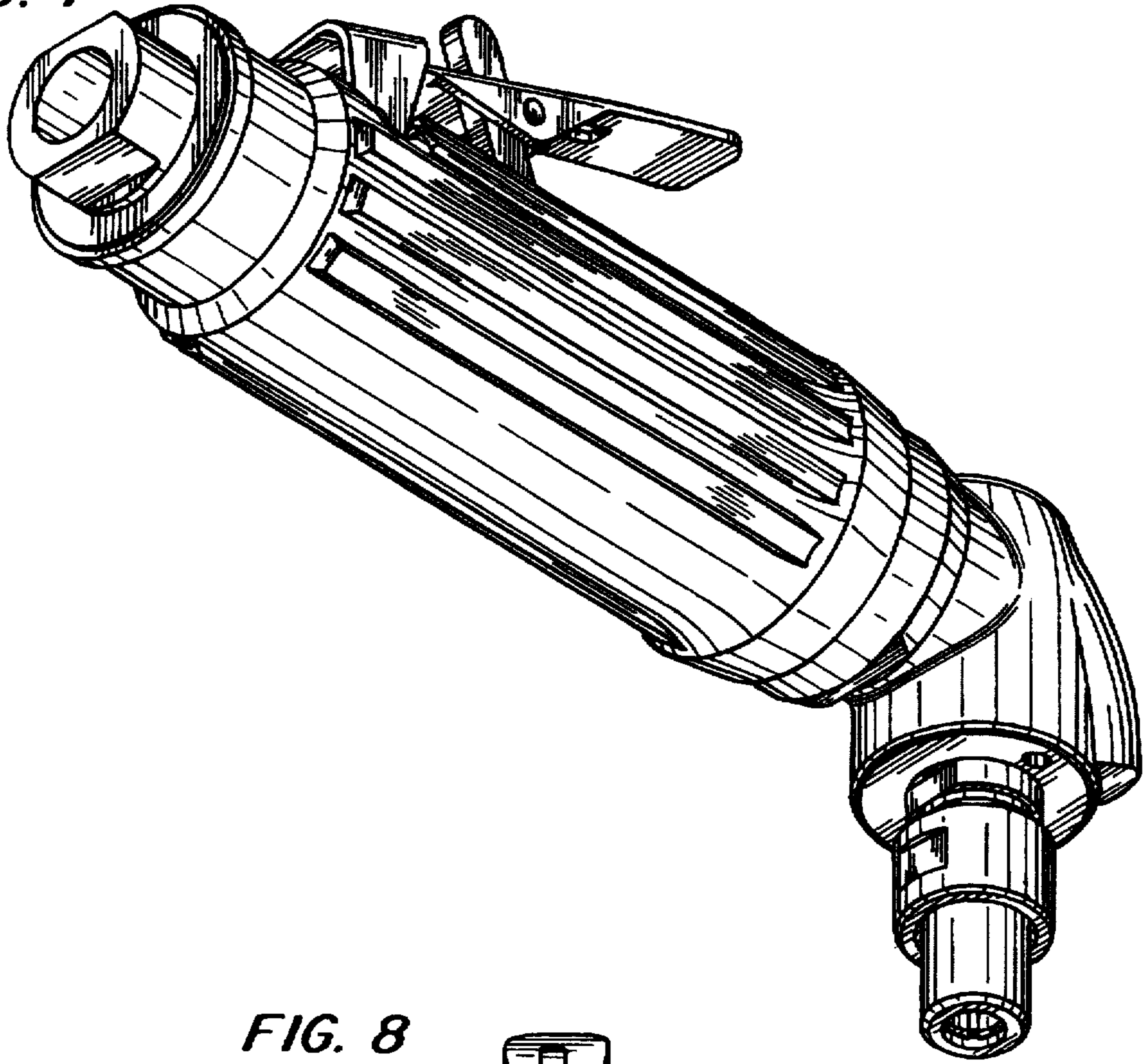


FIG. 8

