

US00D408240S

United States Patent [19]
Garcia

[11] **Patent Number:** **Des. 408,240**
[45] **Date of Patent:** ****Apr. 20, 1999**

[54] **LICE NIT STRIPPER**
[76] **Inventor:** **Robert Garcia**, 6520 NW. Hwy. 47,
Forest Grove, Oreg. 97116
[**] **Term:** **14 Years**
[21] **Appl. No.:** **29/085,707**
[22] **Filed:** **Mar. 27, 1998**
[51] **LOC (6) Cl.** **08-03**
[52] **U.S. Cl.** **D8/57; D24/143; D28/10**
[58] **Field of Search** **D8/57, 98; D24/143;**
D28/10; D19/65, 99, 100; 30/194, 195,
230-235, 238, 252, 255-257, 120, 266,
145-146, 341, 268, 254, 349, 90.4, 90.6;
81/9.4, 9.51, 415, 416; 606/174, 205; D30/158;
76/106.5

3,636,954 1/1972 Weston 30/252 X
4,007,524 2/1977 Hannes et al. 30/266
4,423,729 1/1984 Gray 30/233 X
4,807,364 2/1989 Porat et al. 30/268
5,152,774 10/1992 Schroeder 606/174 X
5,178,624 1/1993 Kyun 606/174 X
5,732,471 3/1998 Korinek et al. 30/90.6

Primary Examiner—Jeffrey Asch
Attorney, Agent, or Firm—Klarquist Sparkman Campbell
Leigh & Winston, LLP

[57] **CLAIM**

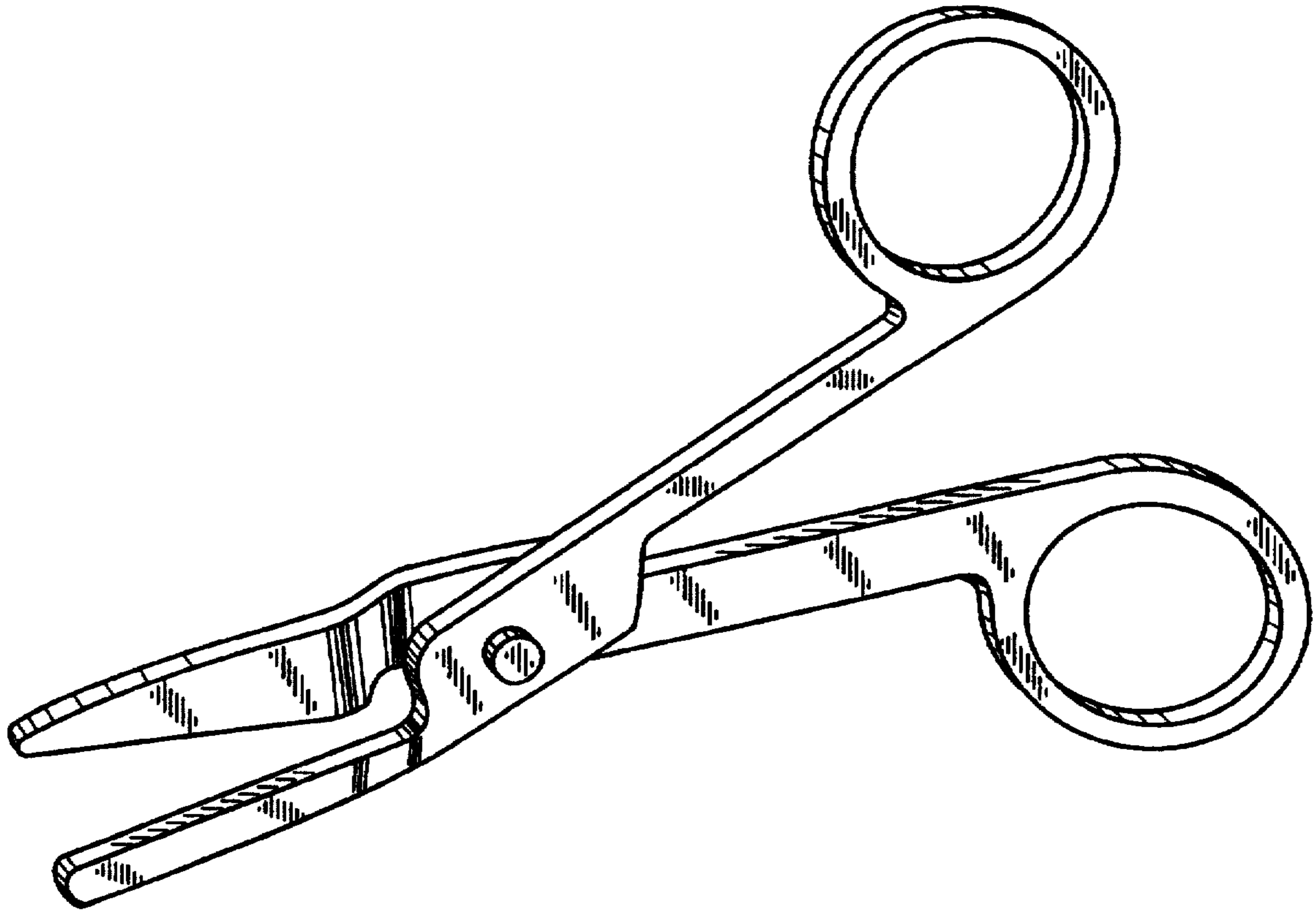
I claim the ornamental design for a lice nit stripper, as shown and described.

DESCRIPTION

FIG. 1 is a perspective view of a lice nit stripper showing my new design;
FIG. 2 is a top plan view of the stripper in a closed position;
FIG. 3 is a front end view of the stripper;
FIG. 4 is a left side elevation view of the stripper;
FIG. 5 is a rear end view of the stripper;
FIG. 6 is a bottom view of the stripper; and,
FIG. 7 is a right side view of the stripper.

[56] **References Cited**
U.S. PATENT DOCUMENTS
D. 59,936 12/1921 Scher D8/57
D. 215,904 11/1969 Foerster D24/143
865,551 9/1907 Wells 606/174
1,469,283 10/1923 Storz 30/349
1,904,399 4/1933 Balthaser 30/233 X

1 Claim, 1 Drawing Sheet



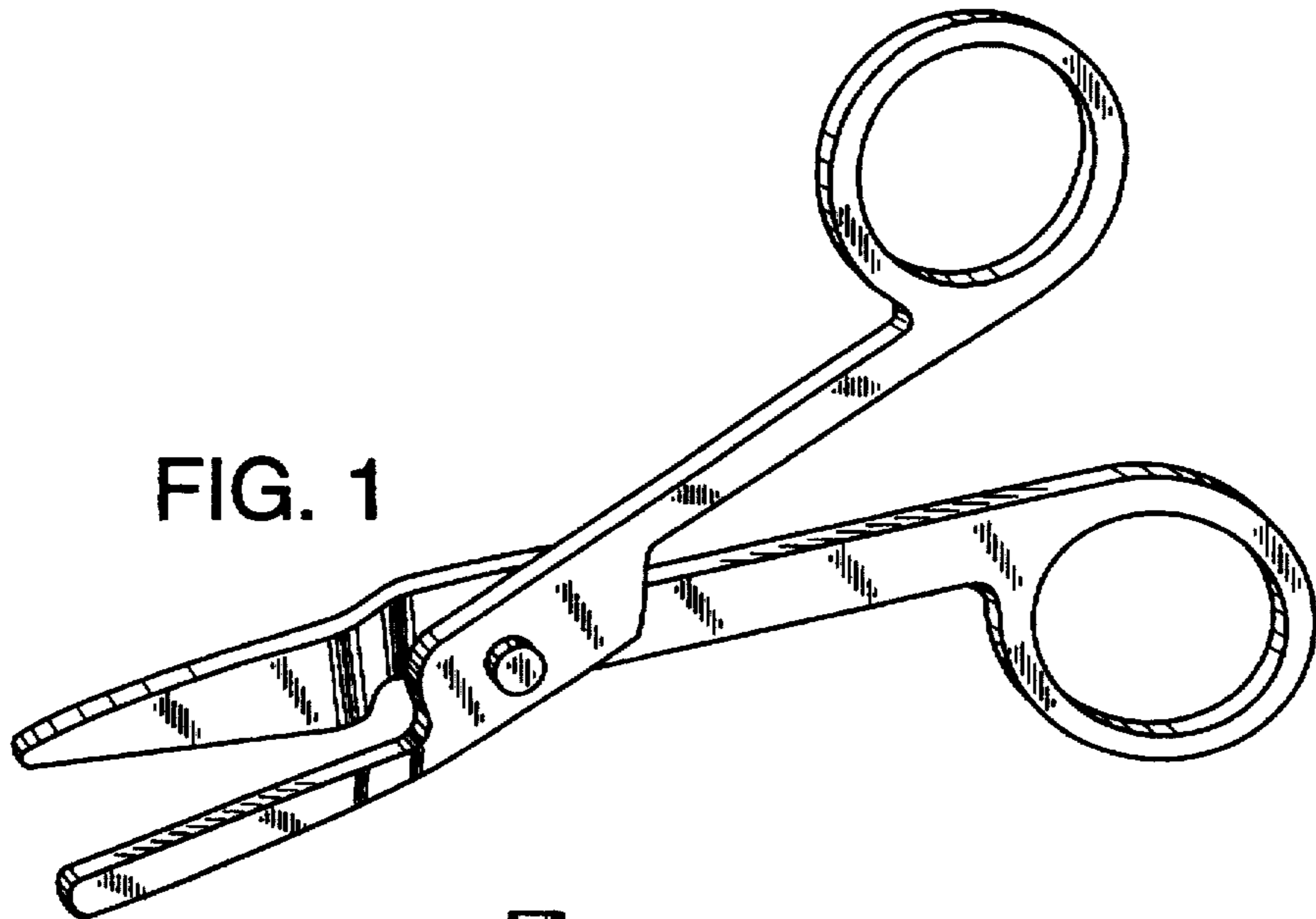


FIG. 1



FIG. 2



FIG. 3

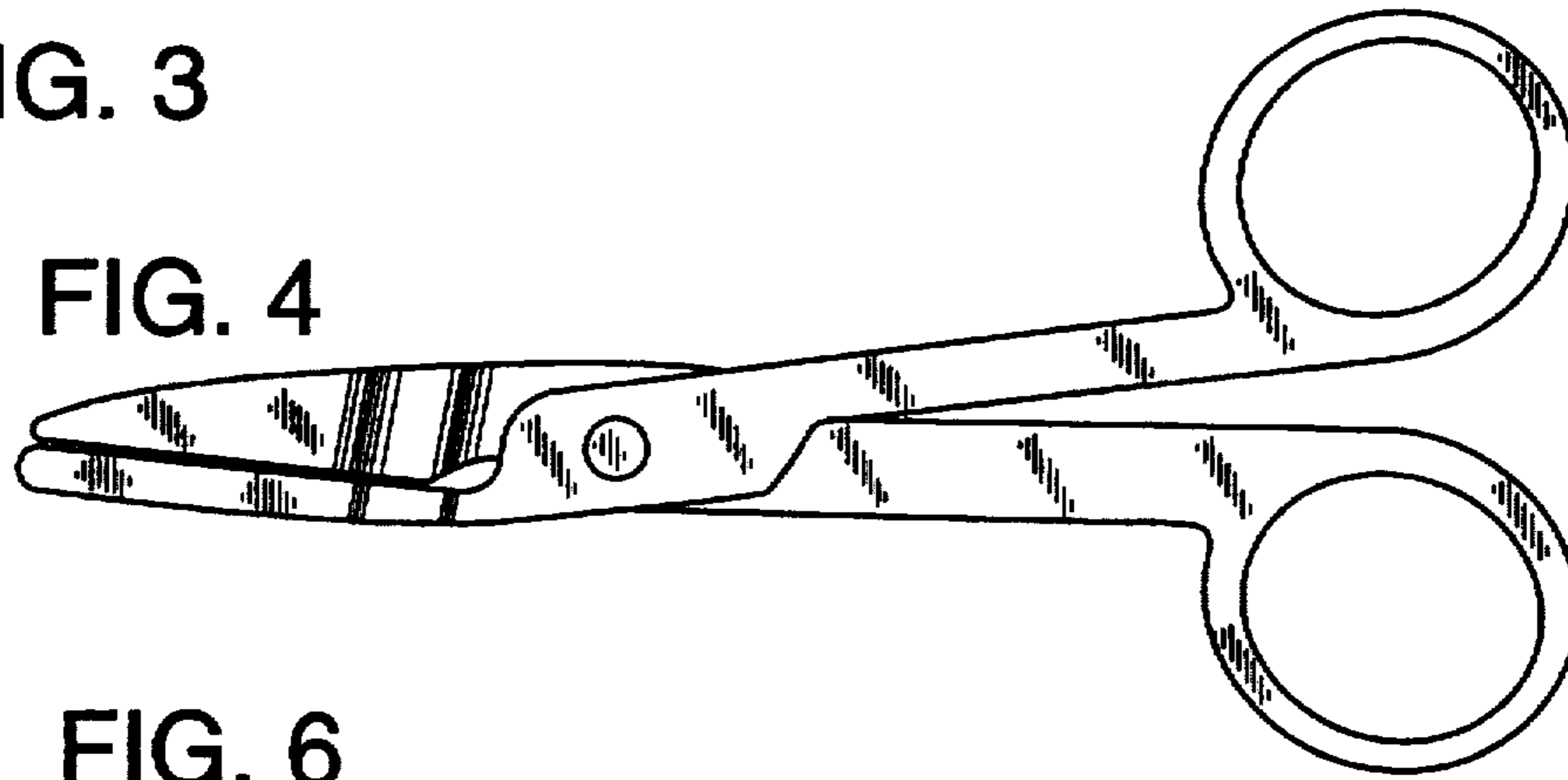


FIG. 4



FIG. 5

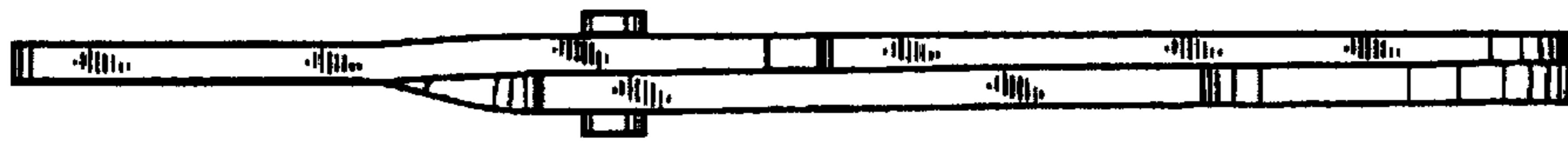


FIG. 6

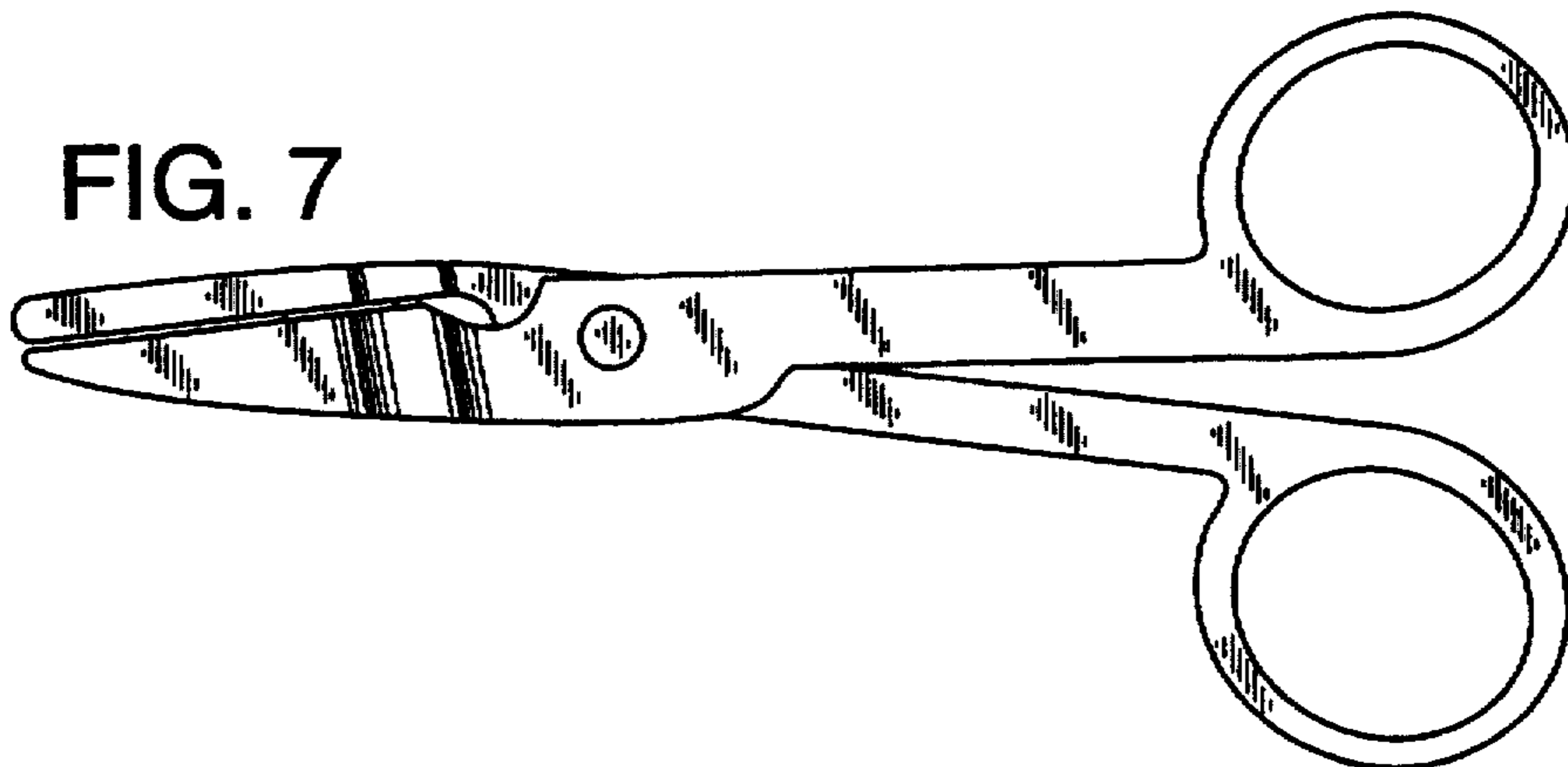


FIG. 7