



US00D408239S

**United States Patent** [19]  
**Steiner et al.**

[11] **Patent Number:** **Des. 408,239**  
[45] **Date of Patent:** **\*\*Apr. 20, 1999**

[54] **JAWS FOR COAXIAL CABLE END CONNECTOR ATTACHMENT TOOL**

[75] **Inventors:** **Richard A. Steiner, East Haddam;**  
**Charles J. Gargano, Gilford, both of Conn.**

[73] **Assignee:** **Rostra Tool Company, Branford, Conn.**

[\*\*] **Term:** **14 Years**

[21] **Appl. No.:** **29/082,108**

[22] **Filed:** **Jan. 15, 1998**

[51] **LOC (6) Cl.** ..... **08-05**

[52] **U.S. Cl.** ..... **D8/54**

[58] **Field of Search** ..... **D8/51, 52, 54,**  
**D8/58; 30/90.1, 90.2, 90.4, 90.6, 91.2;**  
**29/268**

[56] **References Cited**

**U.S. PATENT DOCUMENTS**

D. 352,436	11/1994	Abel	.....	D8/52
941,192	11/1909	Goodridge	.....	30/90.1
3,540,106	11/1970	Goldman	.....	29/268
3,686,982	8/1972	Bull	.....	30/91.2
5,165,155	11/1992	Adams	.....	29/268

*Primary Examiner*—Freda Nunn  
*Attorney, Agent, or Firm*—John H. Crozier

[57] **CLAIM**

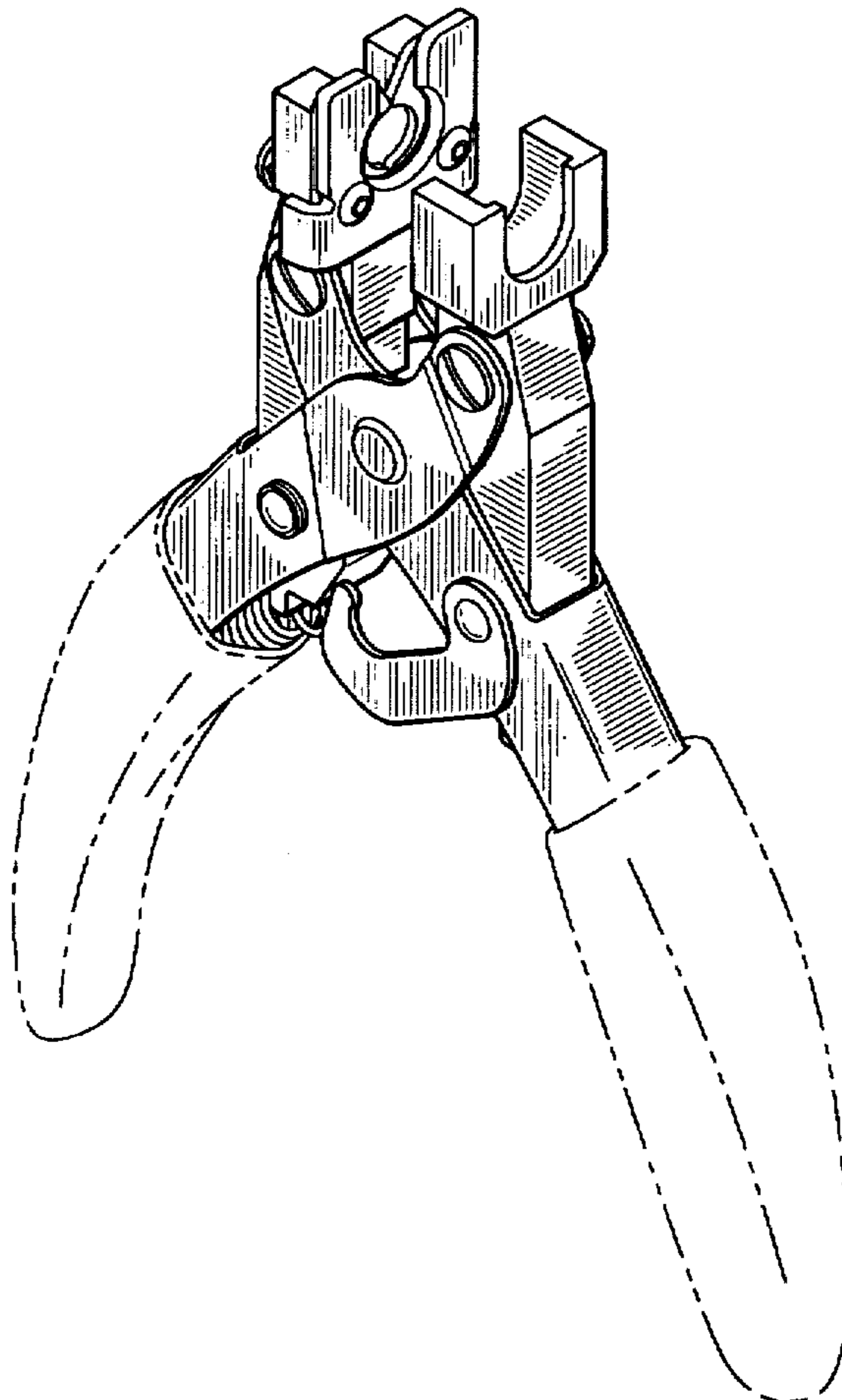
The ornamental design for jaws for coaxial cable end connector attachment tool, as shown and described.

**DESCRIPTION**

FIG. 1 is a front top right side perspective view of jaws for coaxial cable end connector attachment tool showing our new design, with the jaws in unlocked, open position;  
FIG. 2 is a front elevational view thereof, with the jaws in locked, closed position;  
FIG. 3 is a front elevational view thereof, with the jaws in unlocked, open position;  
FIG. 4 is a rear elevational view thereof, with the jaws in unlocked, open position;  
FIG. 5 is a left side elevational view thereof, with the jaws in unlocked, open position;  
FIG. 6 is a right side elevational view thereof, with the jaws in unlocked, open position;  
FIG. 7 is a top plan view thereof, with the jaws in unlocked, open position; and,  
FIG. 8 is a bottom plan view thereof, with the jaws in unlocked, open position.

The matter shown in broken lines on the drawing figures forms no part of the design.

**1 Claim, 5 Drawing Sheets**



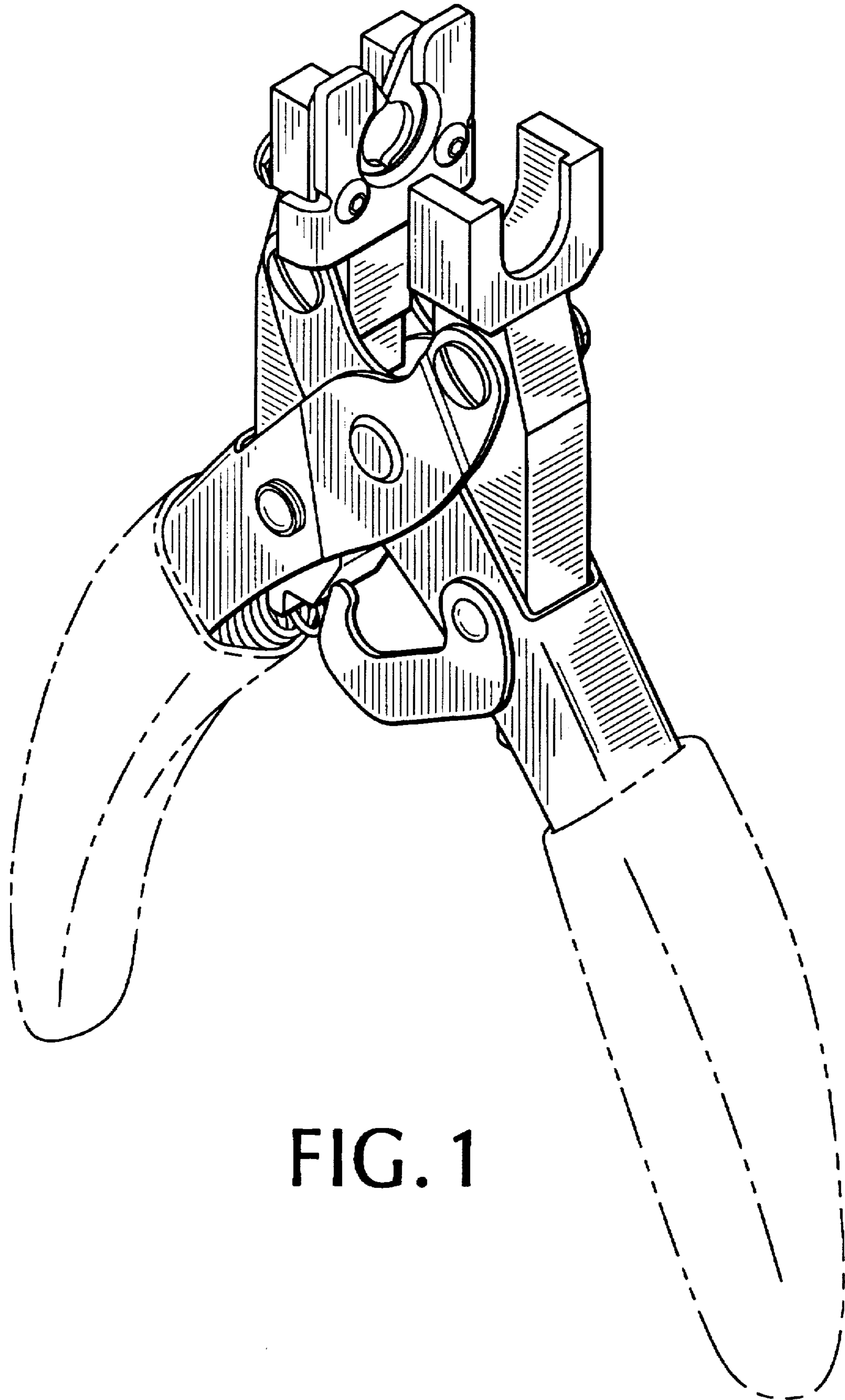


FIG. 1

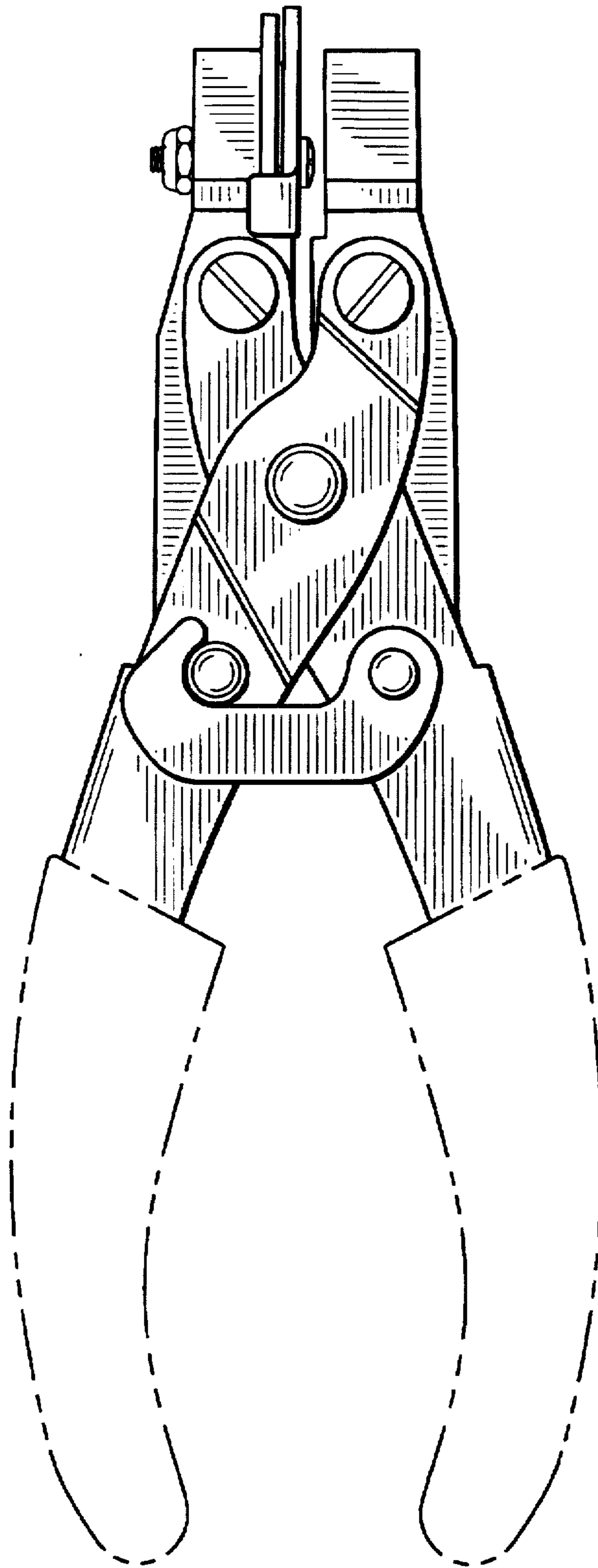


FIG. 2

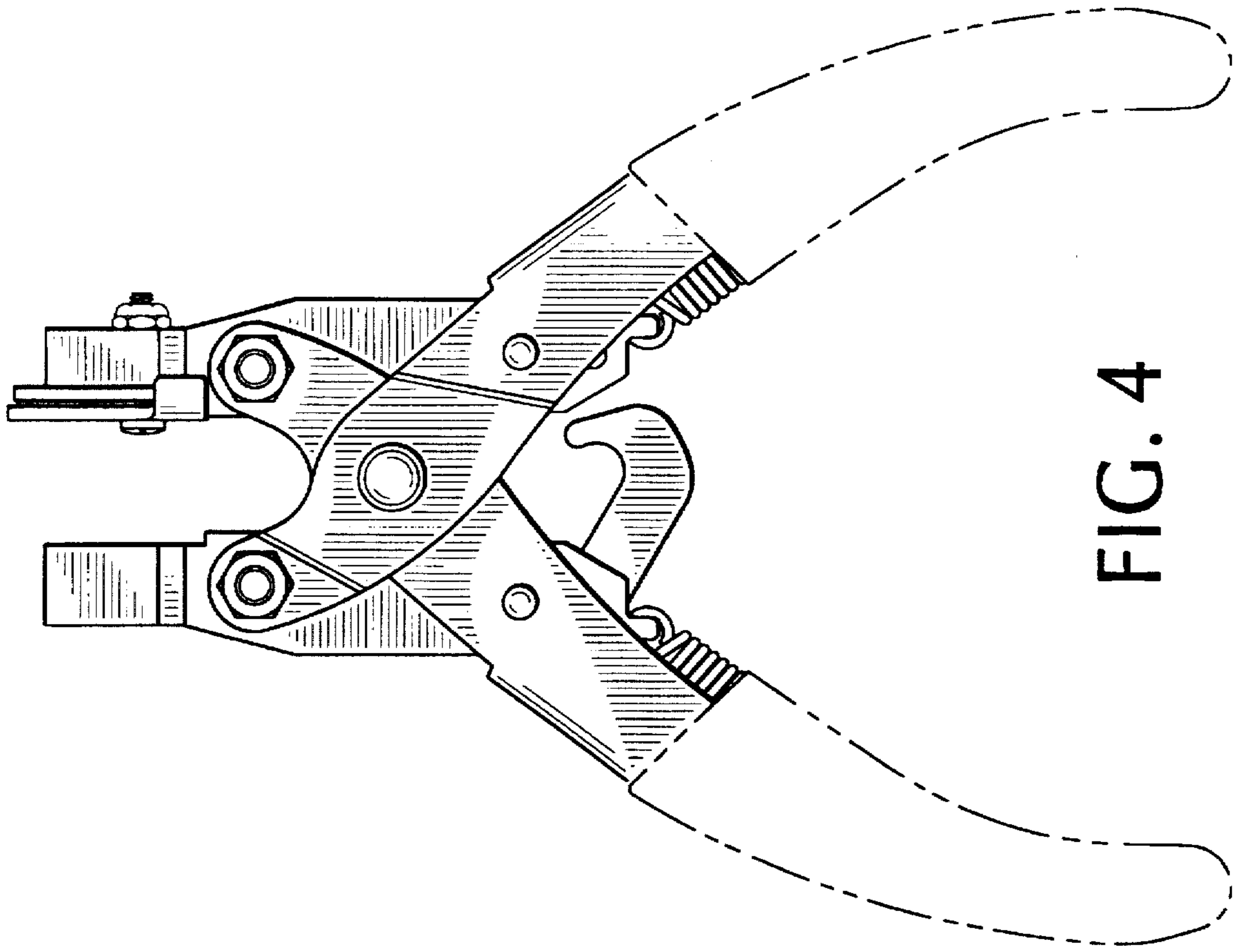


FIG. 3

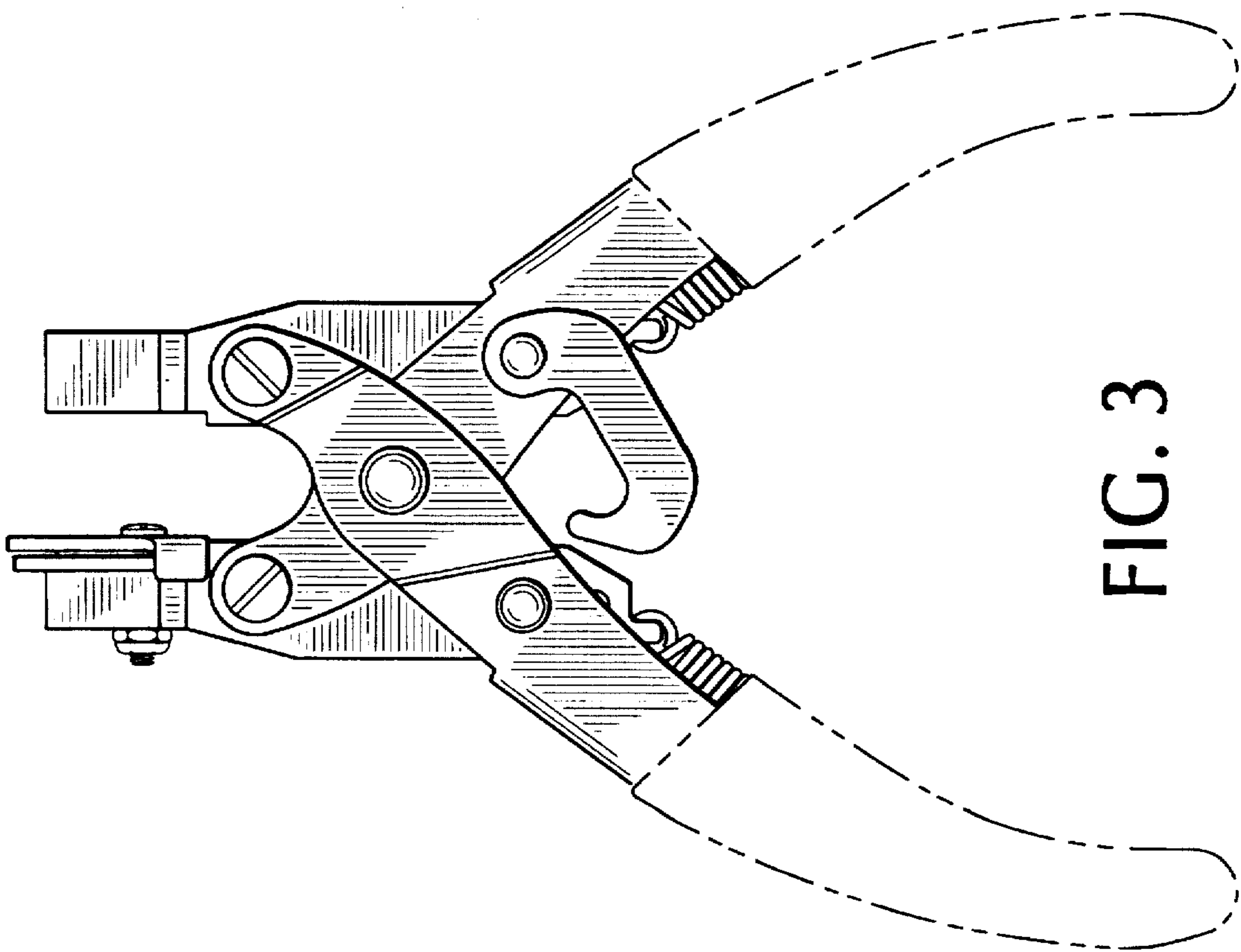


FIG. 4

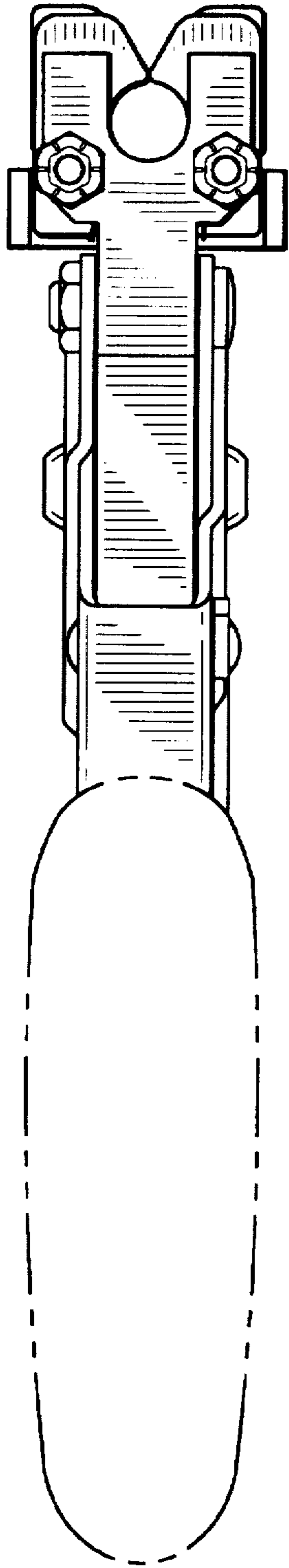


FIG. 5

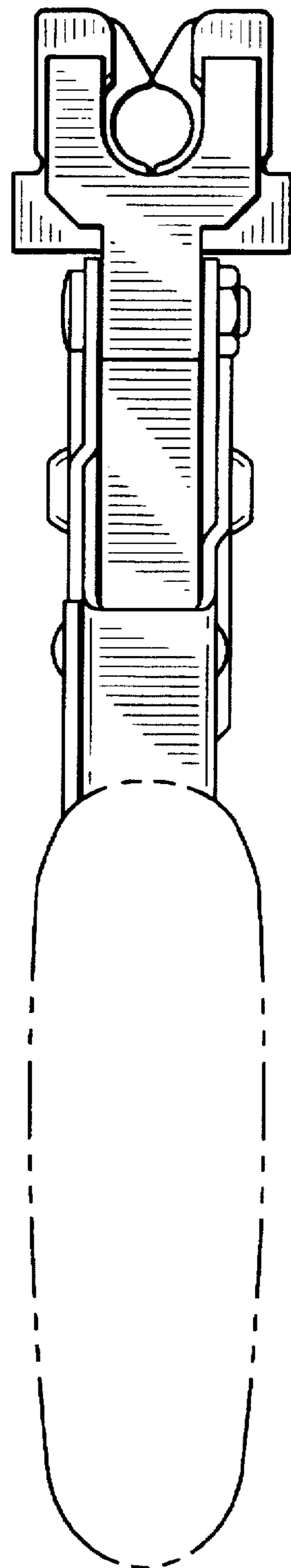


FIG. 6

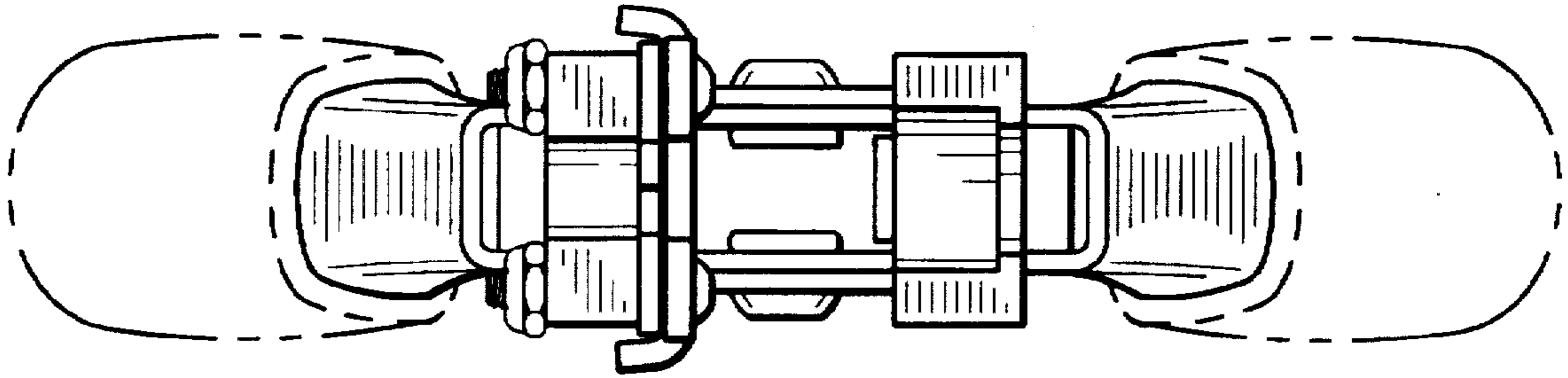


FIG. 7

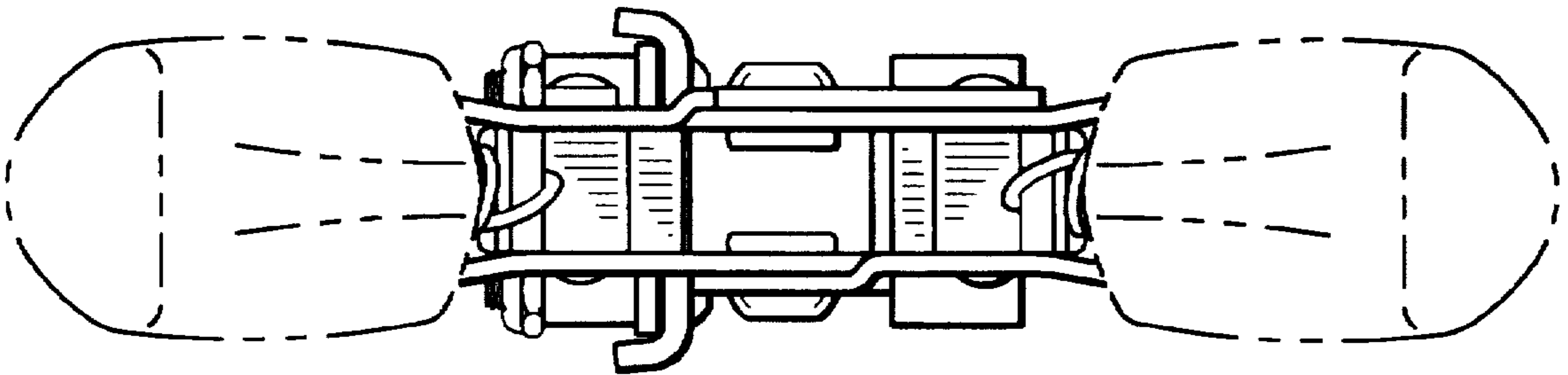


FIG. 8