

US00D408238S

United States Patent [19]
Rivera

[11] **Patent Number: Des. 408,238**
[45] **Date of Patent: ***Apr. 20, 1999**

[54] **FOLDING PLIERS WITH POCKET CLIP AND SYMMETRIC JAWS**
[75] **Inventor: Benjamin C. Rivera, West Linn, Oreg.**
[73] **Assignee: Leatherman Tool Group, Inc., Portland, Oreg.**
[*] **Notice: This patent is subject to a terminal disclaimer.**
[**] **Term: 14 Years**
[21] **Appl. No.: 29/080,042**
[22] **Filed: Nov. 26, 1997**

[51] **LOC (6) CL 08-05**
[52] **U.S. Cl. D8/52**
[58] **Field of Search D8/51, 52, 55, D8/58, 105; 7/106, 107, 117, 127, 128, 130, 118, 133; 81/424, 426, 440, 427.5; 140/117, 118, 121, 139; 30/153, 162, 91.2, 161, 254; 74/127; D19/35, 56**

[56] **References Cited**
U.S. PATENT DOCUMENTS

D. 368,634 4/1996 Frazer D8/105
D. 384,872 10/1997 Yeh D8/105

D. 385,170 10/1997 Rivera D8/52
4,744,272 5/1988 Leatherman 81/427.5
4,947,552 8/1990 Barnes 30/161
4,961,239 10/1990 Boyd, Sr. et al. 7/118
5,142,721 9/1992 Sessions et al. 7/128

OTHER PUBLICATIONS

Leatherman Tool Group, Inc., "The Original Leatherman PST II"—Jul. 1995.

Primary Examiner—Freda Nunn
Attorney, Agent, or Firm—Chernoff, Vilhauer, McClung & Stenzel, LLP

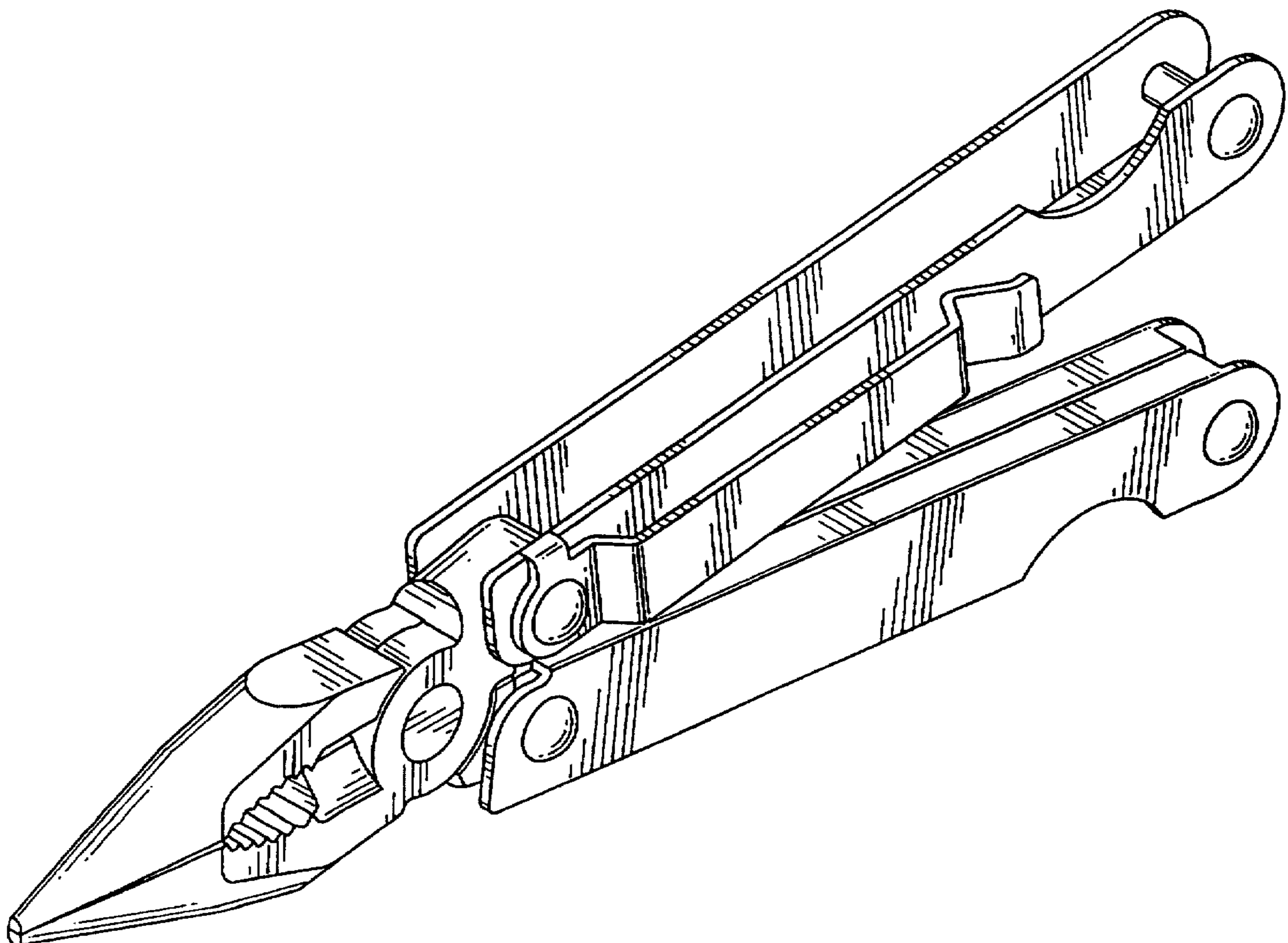
[57] **CLAIM**

The ornamental design for the folding pliers with pocket clip and symmetric jaws, as shown and described.

DESCRIPTION

FIG. 1 is an isometric view of the folding pliers with pocket clip and symmetric jaws incorporating my new design; FIG. 2 is a top plan view thereof; FIG. 3 is a front side elevational view thereof; FIG. 4 is a bottom plan view thereof; FIG. 5 is a rear side elevational view thereof; FIG. 6 is a pliers jaw end elevational view thereof; and, FIG. 7 is a handle end elevational view thereof.

1 Claim, 3 Drawing Sheets



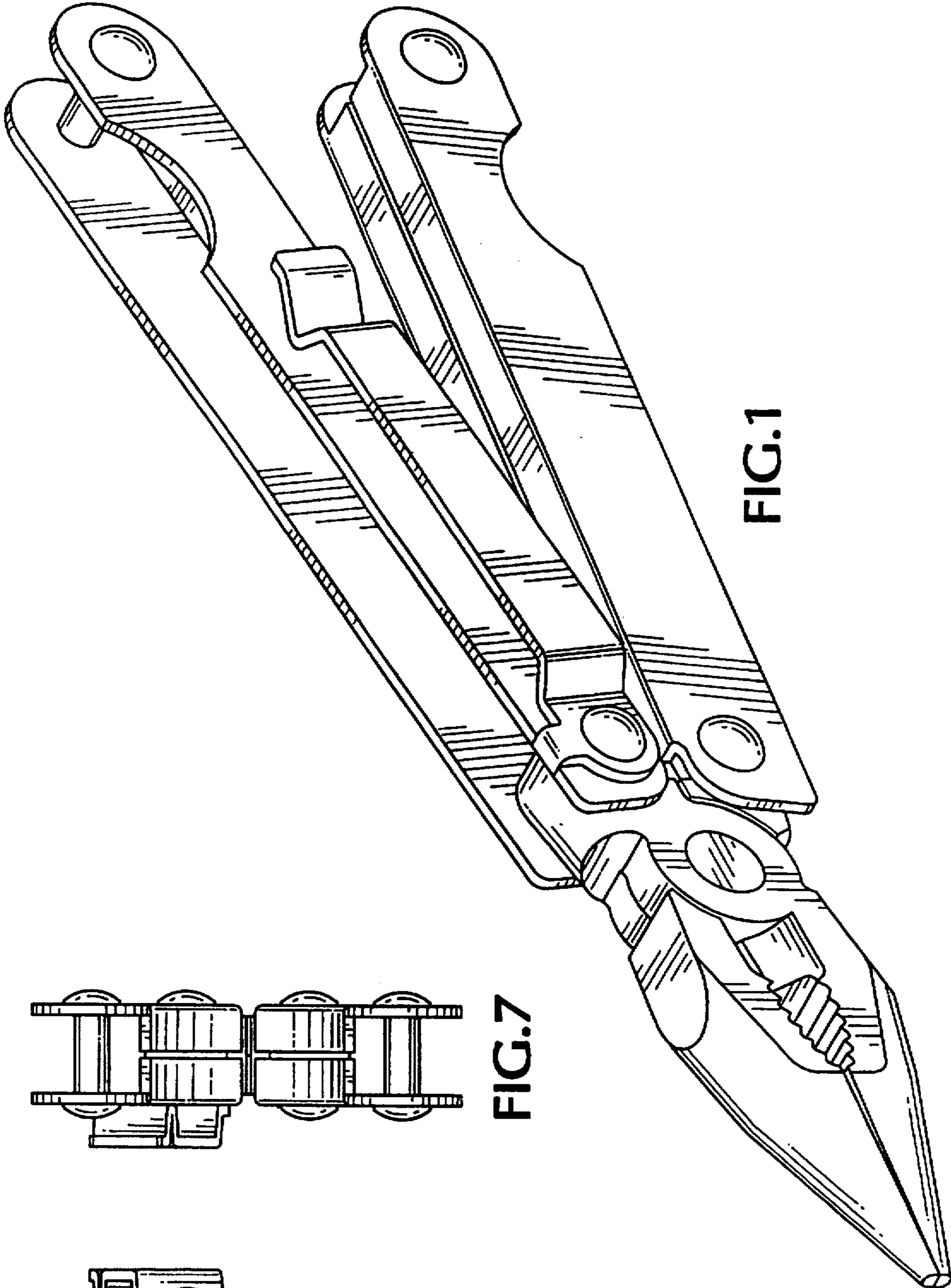


FIG. 1

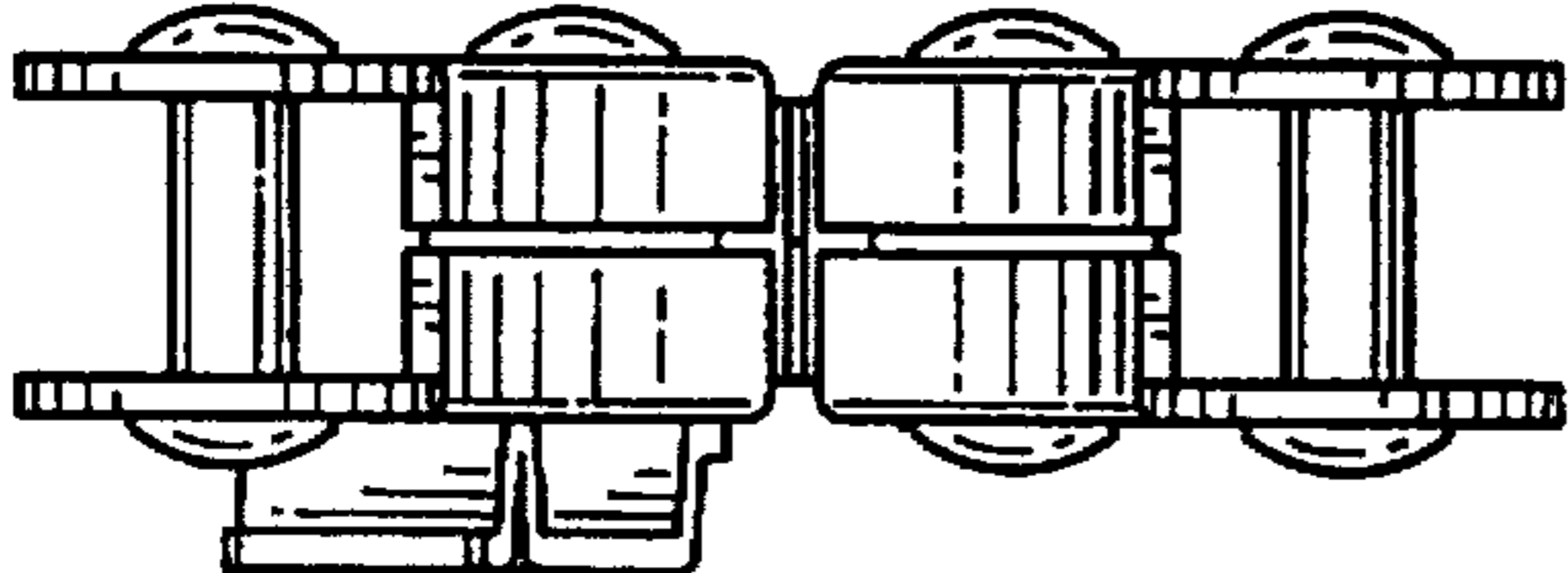


FIG. 7

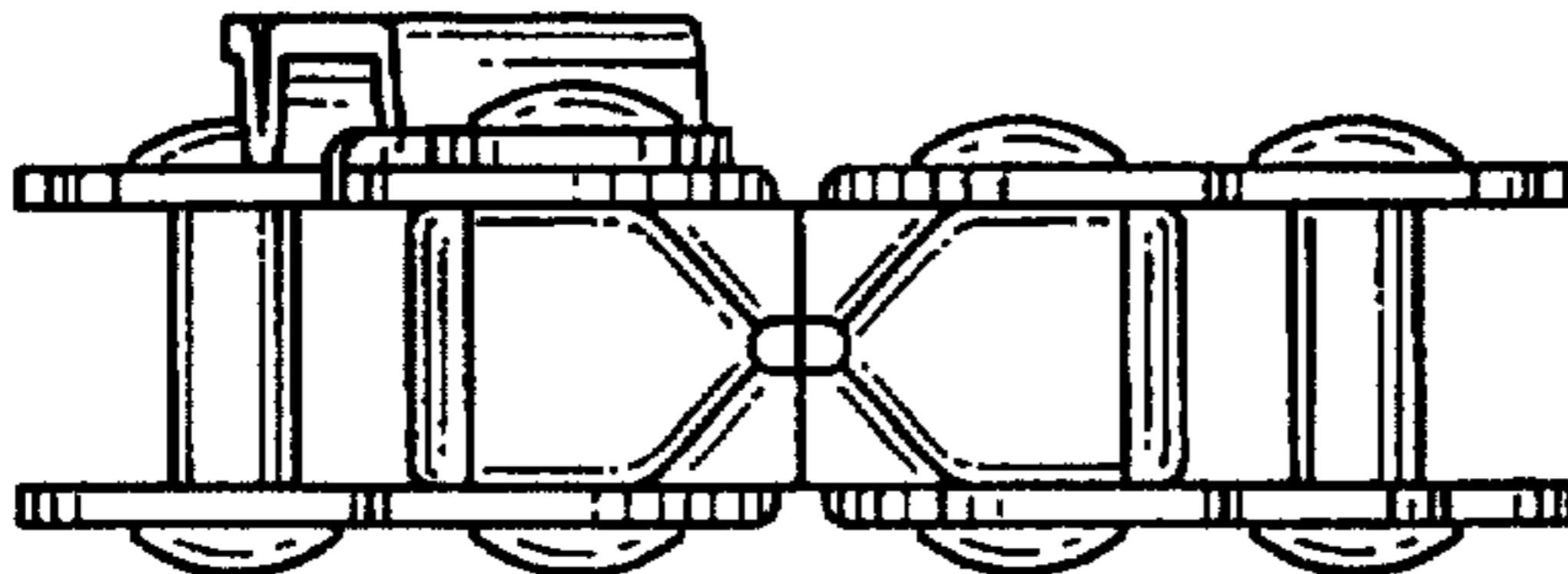


FIG. 6

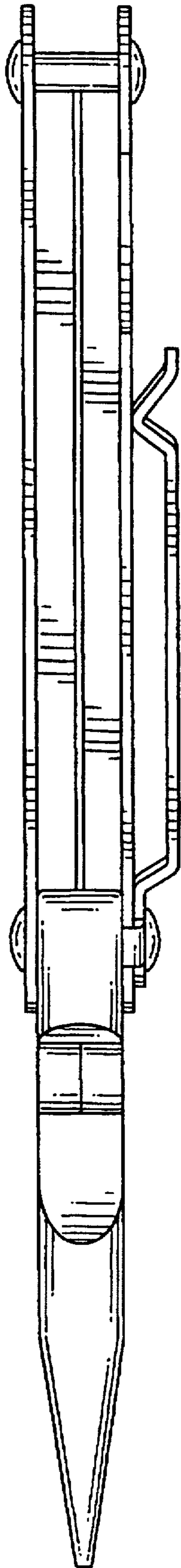


FIG. 2

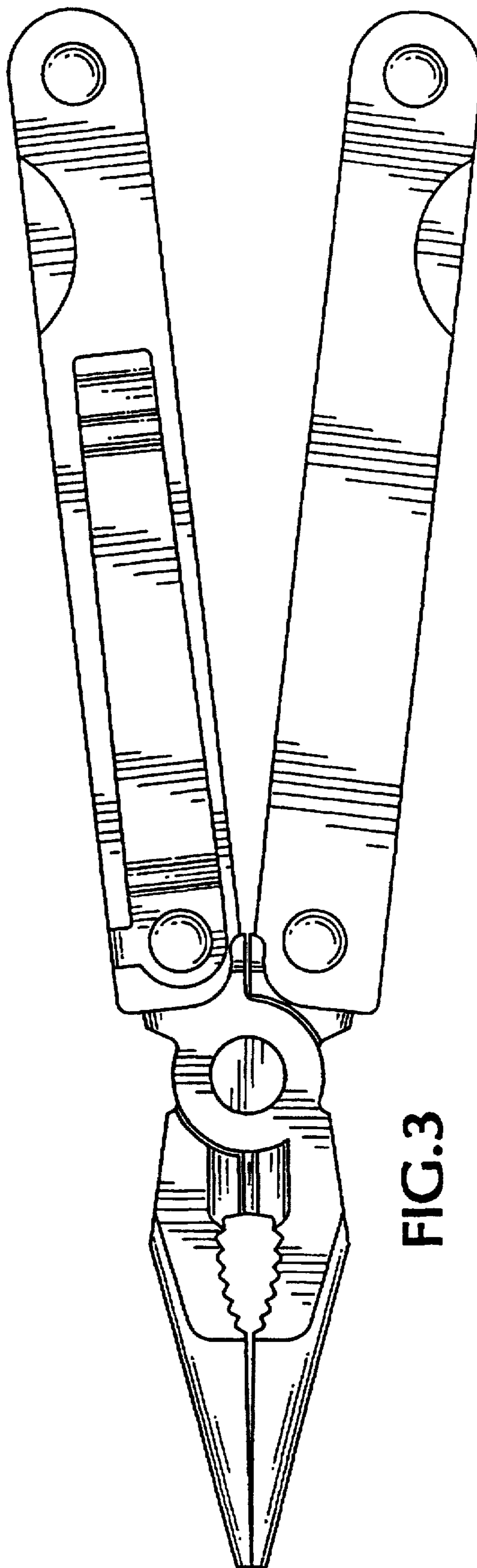


FIG. 3

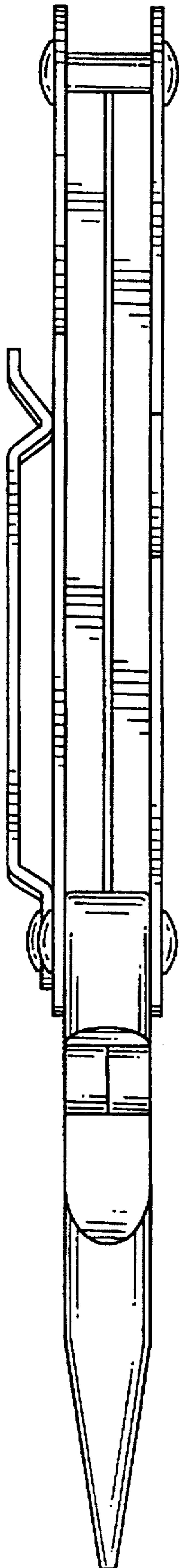


FIG. 4

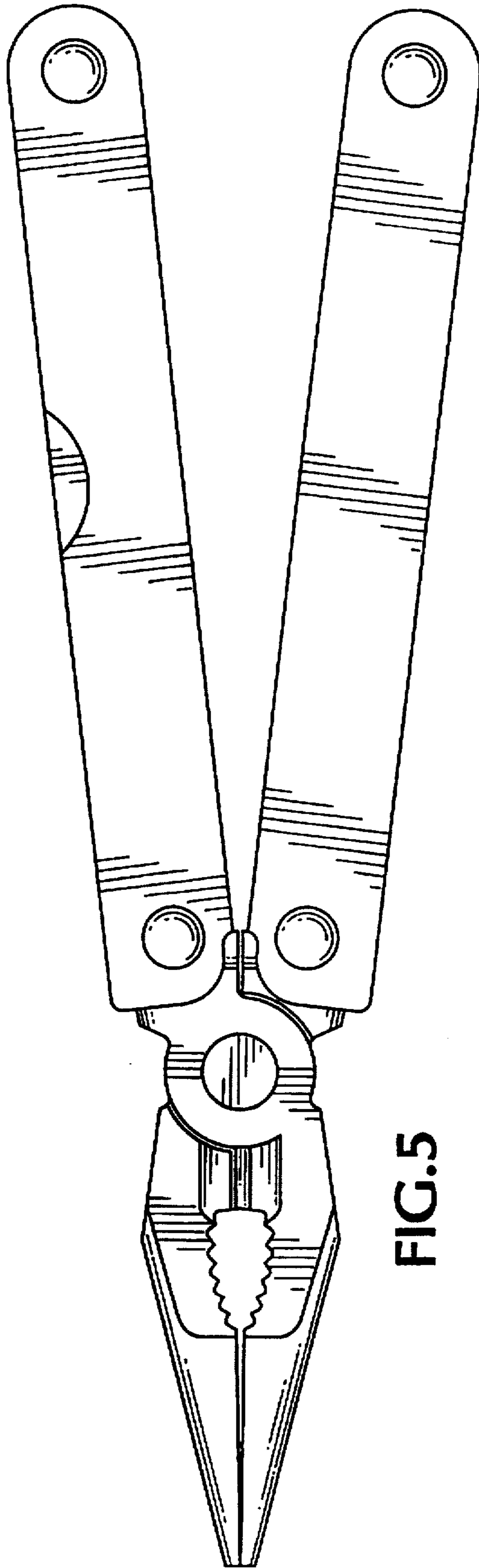


FIG. 5