



US00D408235S

United States Patent [19]

Alonge et al.

[11] Patent Number: Des. 408,235

[45] Date of Patent: **Apr. 20, 1999

[54] CAN OPENER

[75] Inventors: **Barbara Alonge**, North Merrick, N.Y.;
David Sabin, Lake Forest, Ill.

[73] Assignee: **Salton/Maxim Housewares, Inc.**, Mt. Prospect, Ill.

[**] Term: 14 Years

[21] Appl. No.: 29/093,338

[22] Filed: Sep. 9, 1998

[51] LOC (6) CL 07-99

[52] U.S. Cl. D8/35; D8/36

[58] Field of Search D8/33-43, 18,
D8/19; 30/400-443; 81/3.07-3.49; 7/151-156

[56] **References Cited**

U.S. PATENT DOCUMENTS

D. 229,602	12/1973	Eckel	D8/35
D. 230,005	1/1974	Weiss	D8/35
D. 308,159	5/1990	Stutzer	D8/35
D. 324,157	2/1992	Gildersleve	D8/35
D. 348,813	7/1994	Klein	D8/36
D. 366,404	1/1996	Indinndi	D8/36

D. 387,643	12/1997	Laude et al.	D8/36
3,254,406	6/1966	Hubrich	30/401
3,927,472	12/1975	Yamamoto	30/404
5,313,708	5/1994	Edwards et al.	30/417

OTHER PUBLICATIONS

Home Furnishings Daily, p. 13, Cornwall can opener, Jun. 1973.

Primary Examiner—Jeffrey Asch
Attorney, Agent, or Firm—Jerry A. Schulman

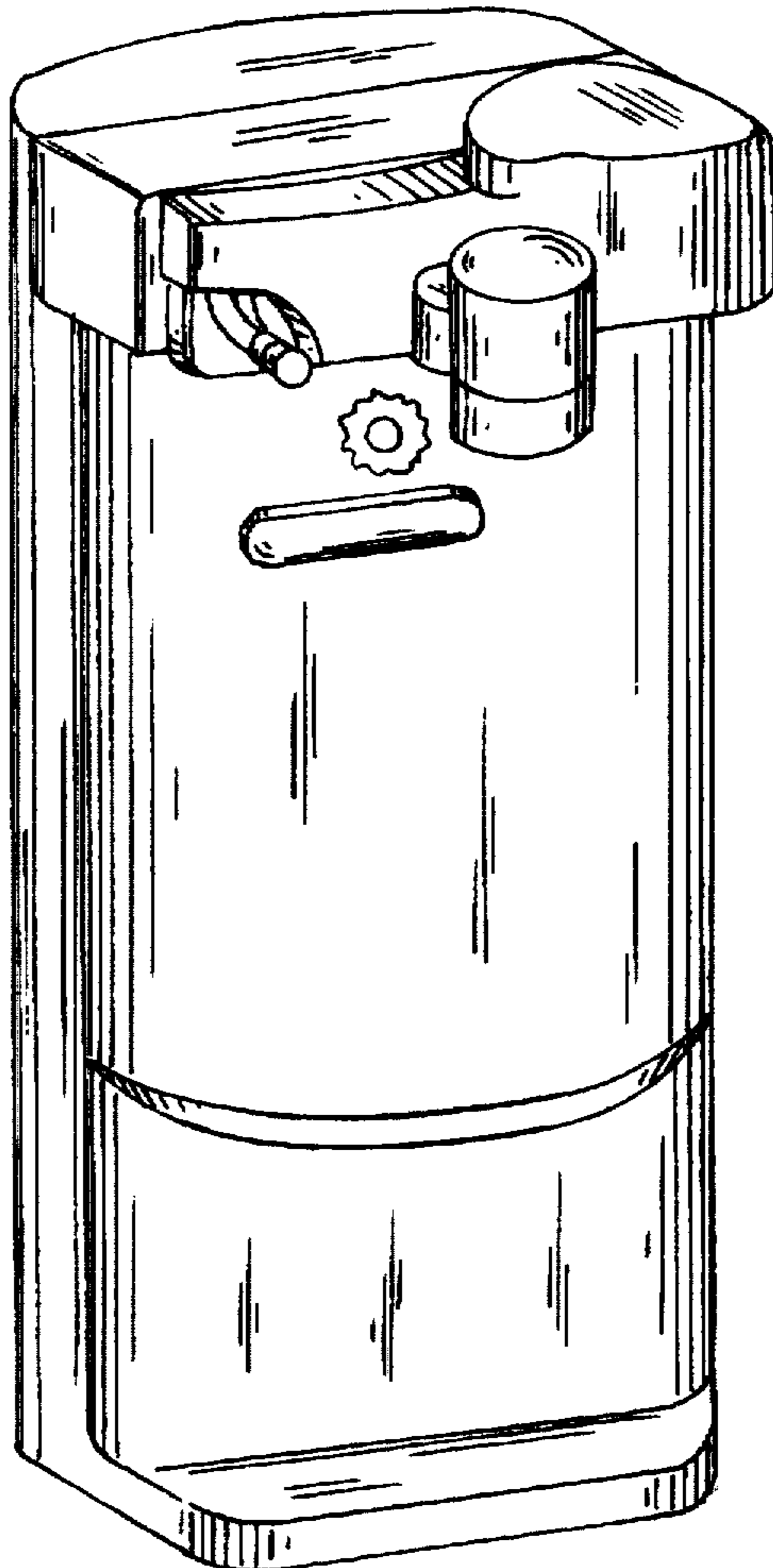
[57] **CLAIM**

The ornamental design for a can opener, as shown and described.

DESCRIPTION

FIG. 1 is a front elevational view of the present invention; FIG. 2 is a right lateral elevational view thereof; FIG. 3 is a left lateral elevational view thereof; FIG. 4 is a top plan view thereof; FIG. 5 is a bottom plan view thereof; FIG. 6 is a rear elevational view thereof; and, FIG. 7 is a perspective view thereof.

1 Claim, 3 Drawing Sheets



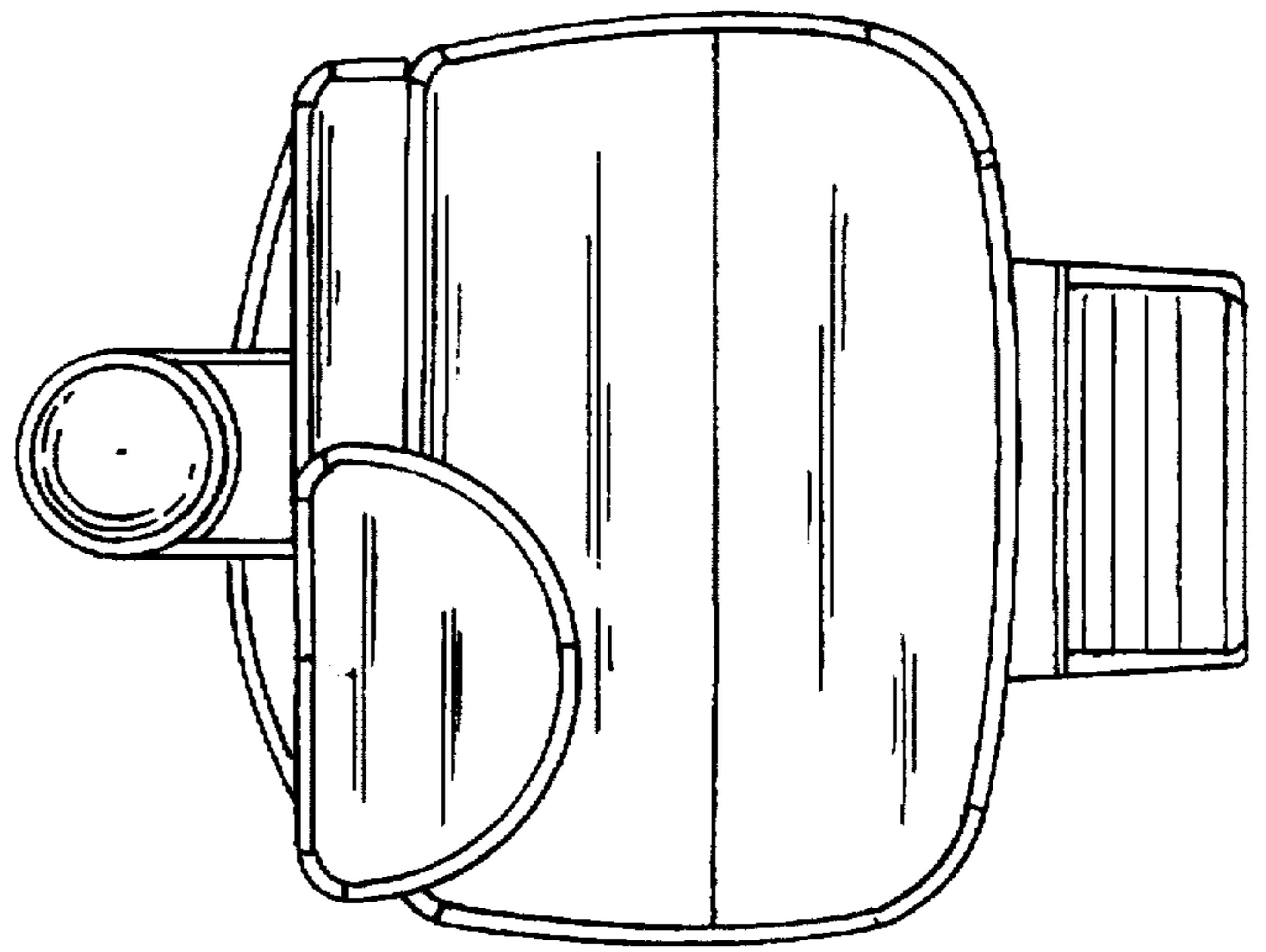


FIG. 4

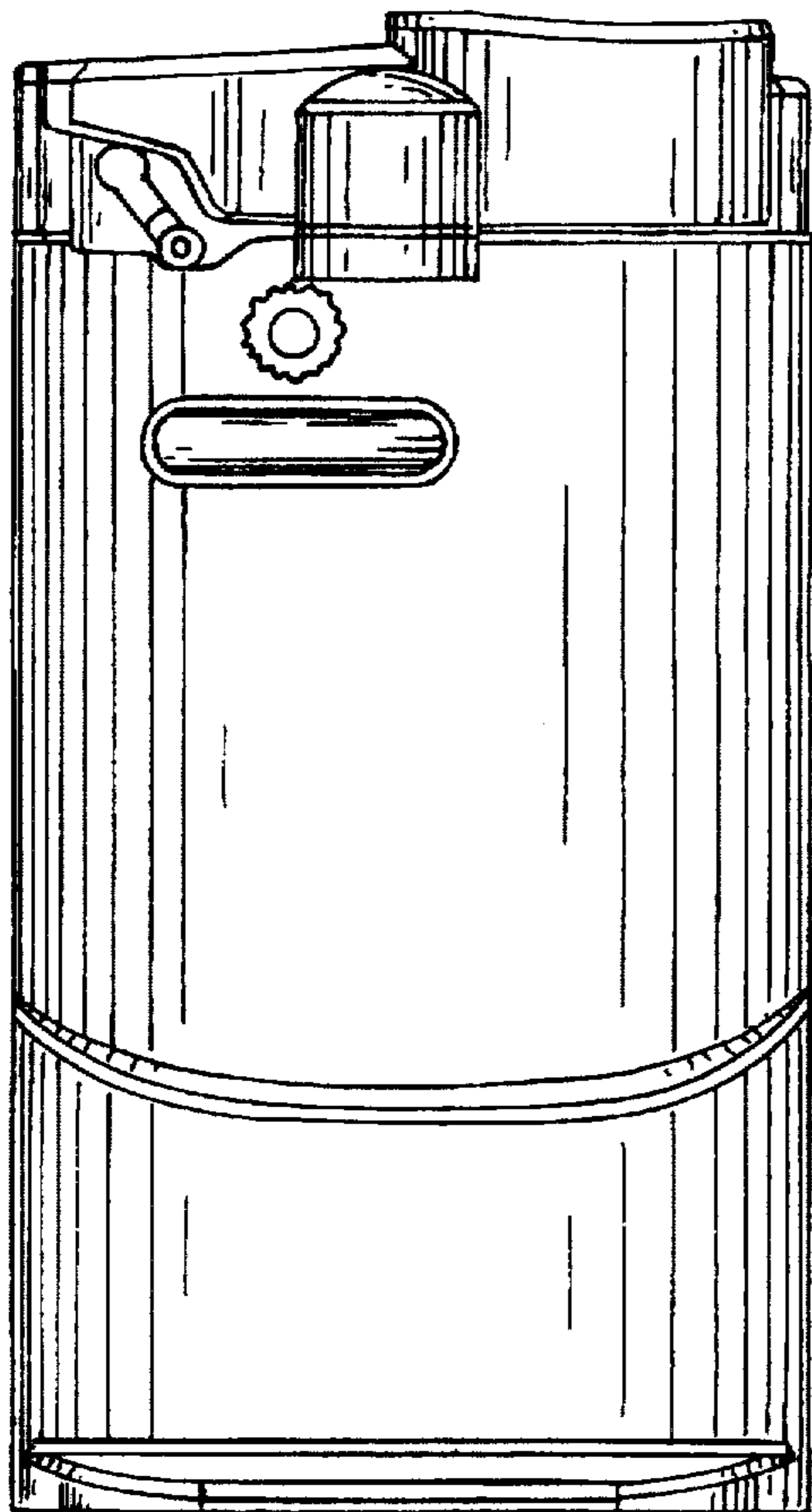


FIG. 1

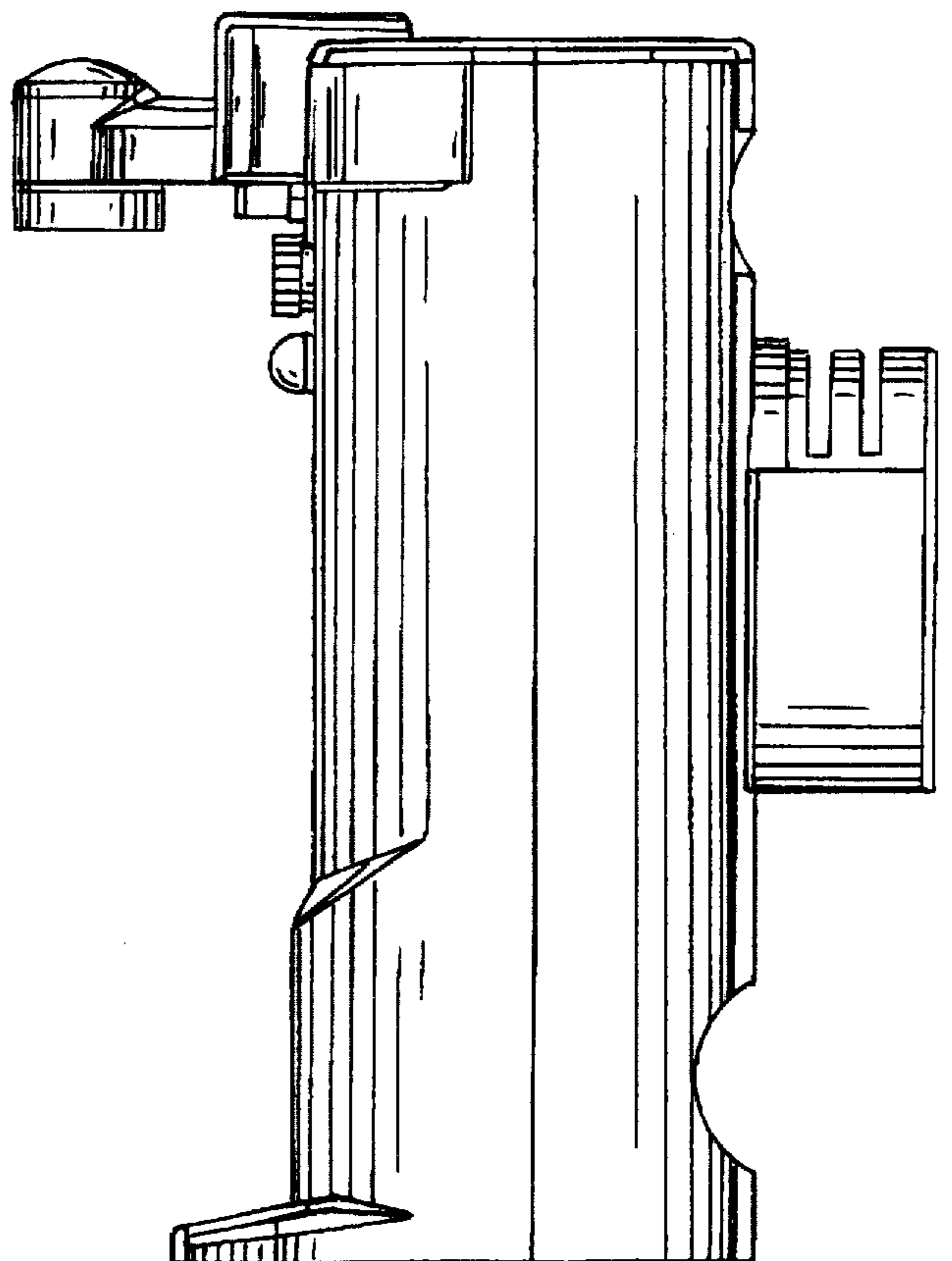


FIG. 2

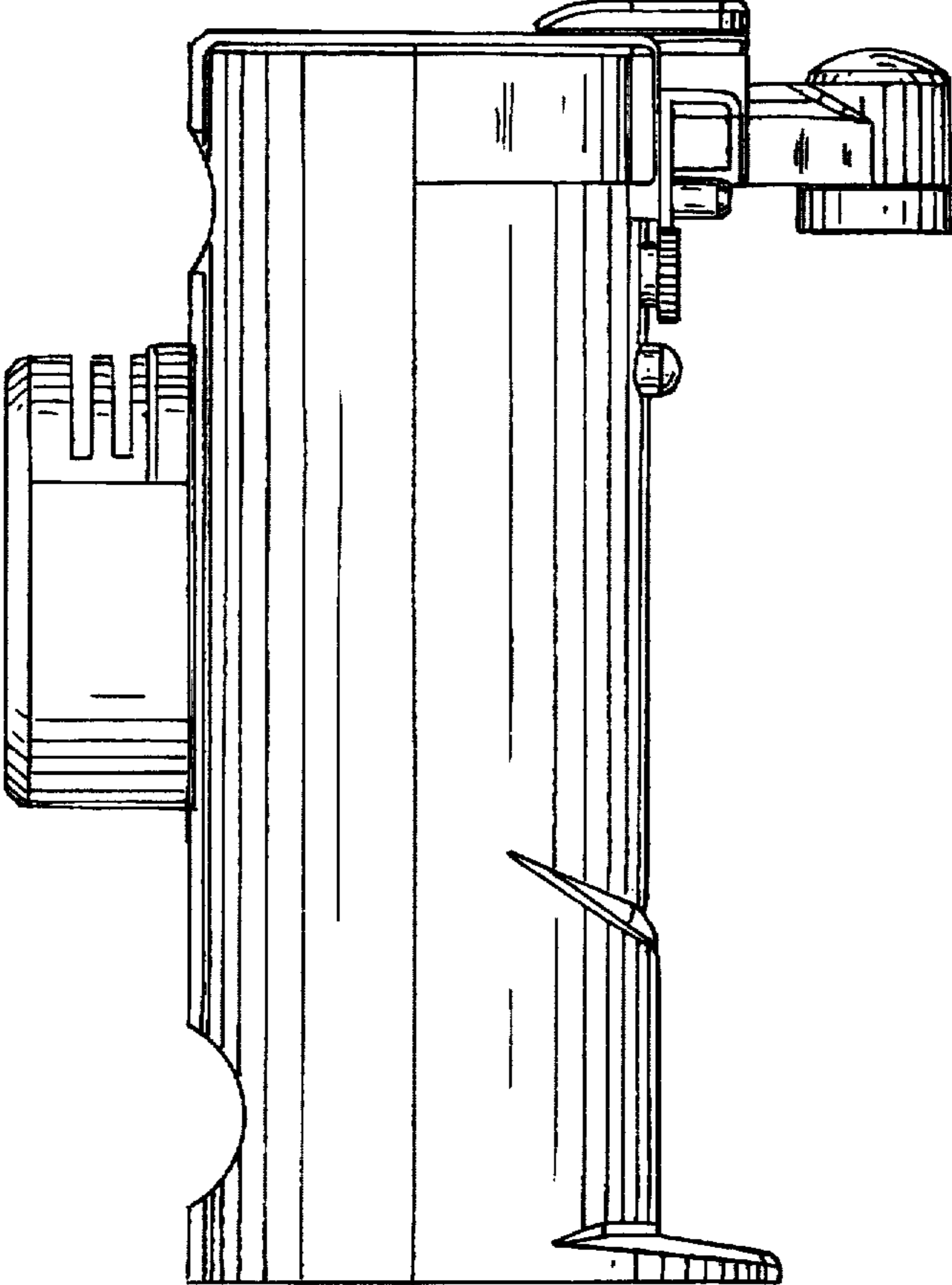


FIG. 3

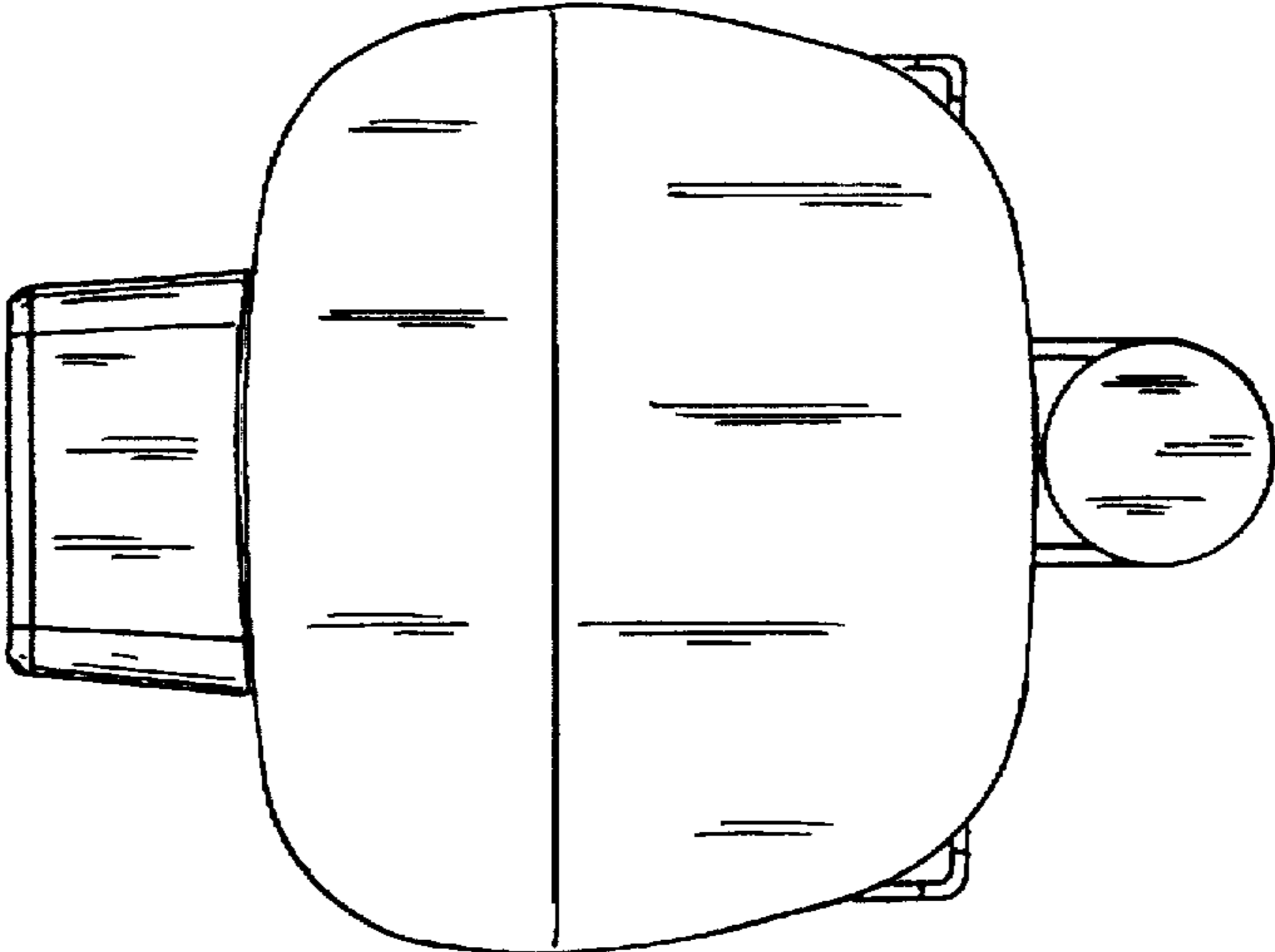


FIG. 5

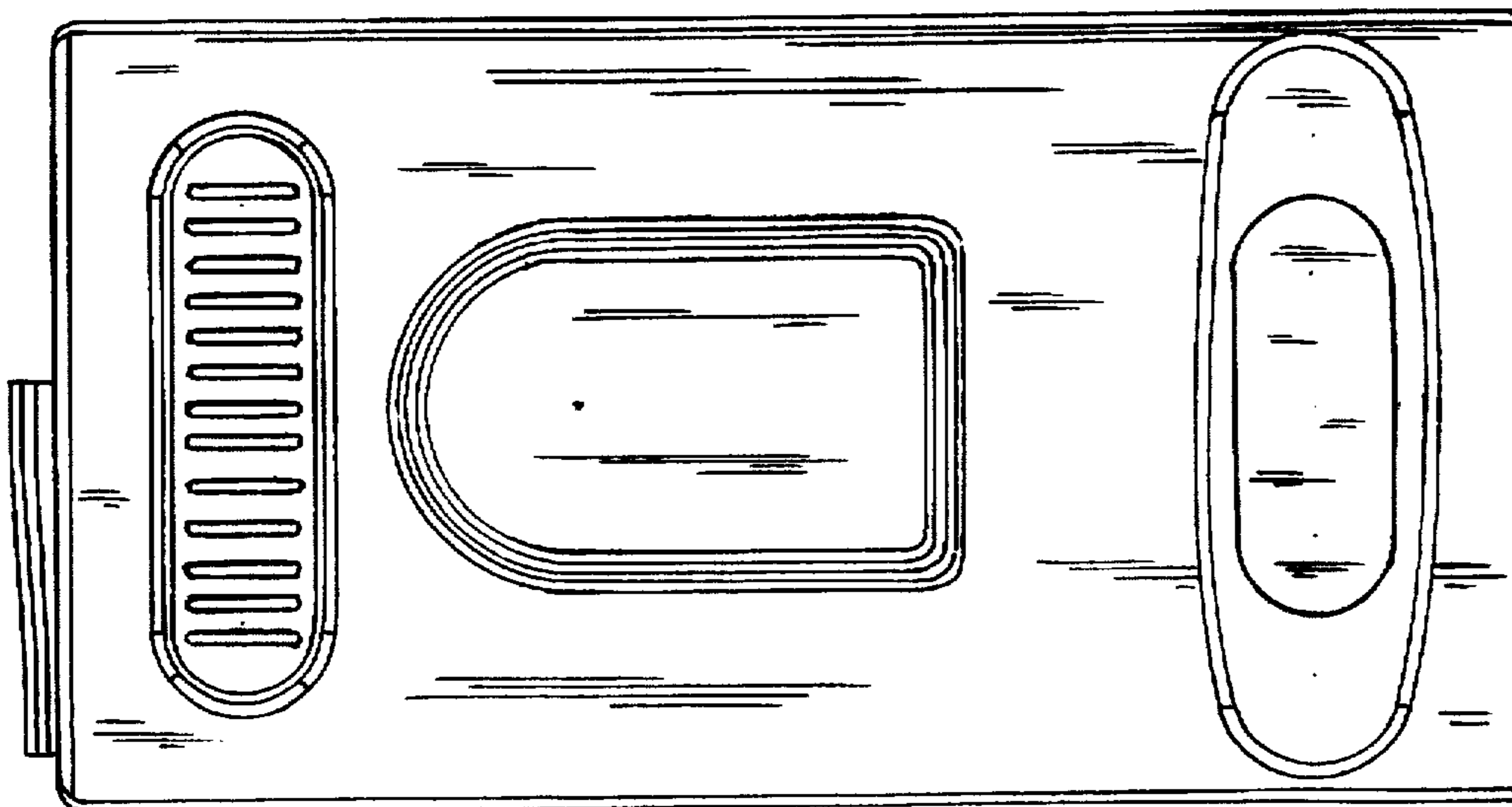


FIG. 6

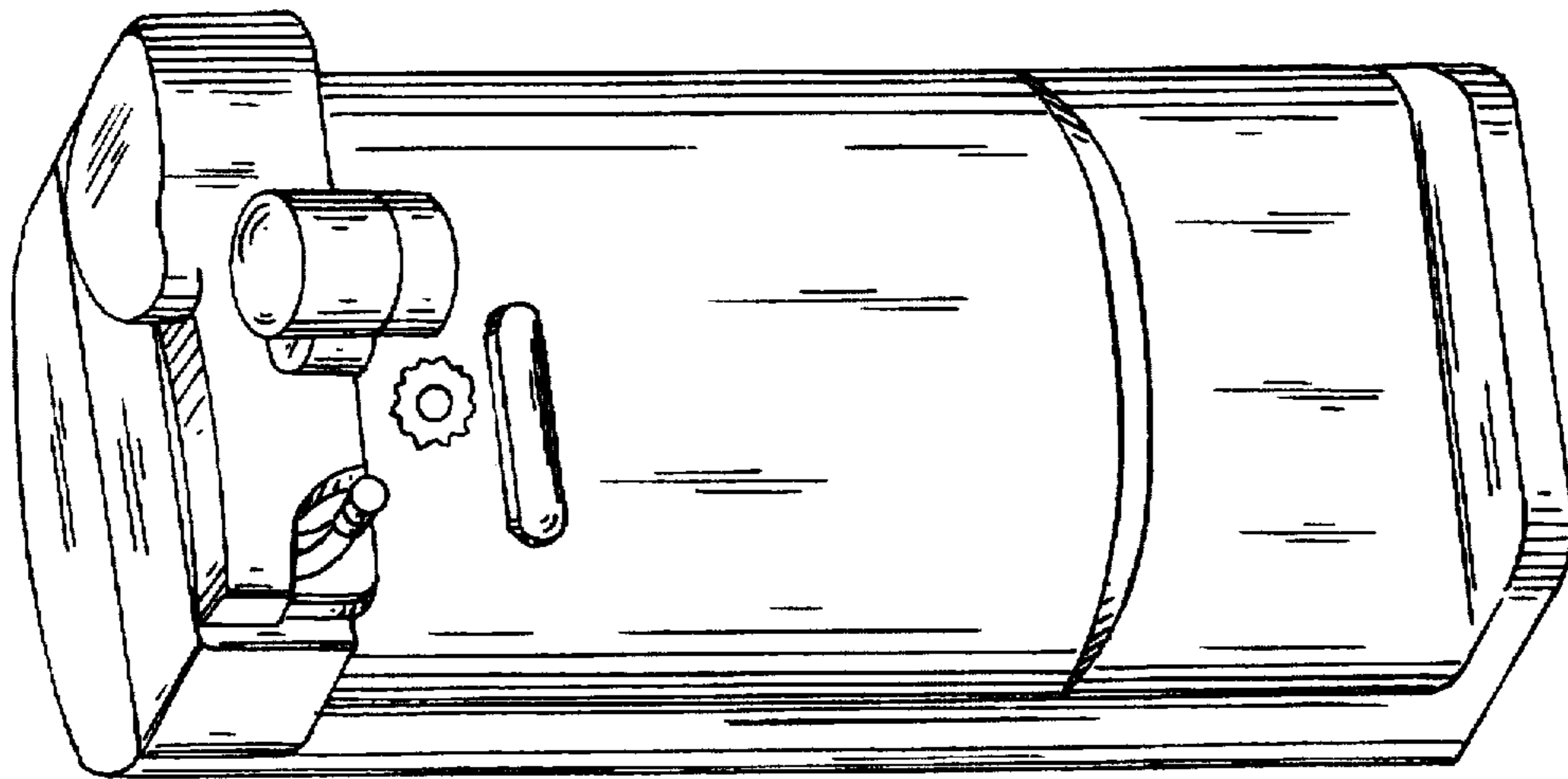


FIG. 7