



US00D408228S

United States Patent [19]
Tisdale

[11] **Patent Number: Des. 408,228**
[45] **Date of Patent: **Apr. 20, 1999**

[54] **COASTER SET**

4,953,823 9/1990 Sheaffer et al. 248/346.11

[75] **Inventor: David W. Tisdale, Southport, Conn.**

Primary Examiner—Terry A. Wallace
Attorney, Agent, or Firm—Robert A. Koons, Jr.; James W. Bolcsak

[73] **Assignee: M. Kamenstein, Inc., Elmsford, N.Y.**

[**] **Term: 14 Years**

[57] **CLAIM**

[21] **Appl. No.: 29/088,147**

The ornamental design for a coaster set, as shown and described.

[22] **Filed: May 15, 1998**

DESCRIPTION

[51] **LOC (6) Cl. 07-06**

[52] **U.S. Cl. D7/624**

[58] **Field of Search D7/624, 625; 215/386, 215/393-395; 248/310, 311.2, 346.11**

FIG. 1 is a perspective view of a coaster set showing my new design;

FIG. 2 is a left side elevational view of the coaster set;

FIG. 3 is a right side elevational view of the coaster set;

FIG. 4 is a front elevational view of the coaster set, with the rear elevational view being a mirror image thereof;

FIG. 5 is a top plan view of the coaster set; and,

FIG. 6 is a bottom plan view of the coaster set.

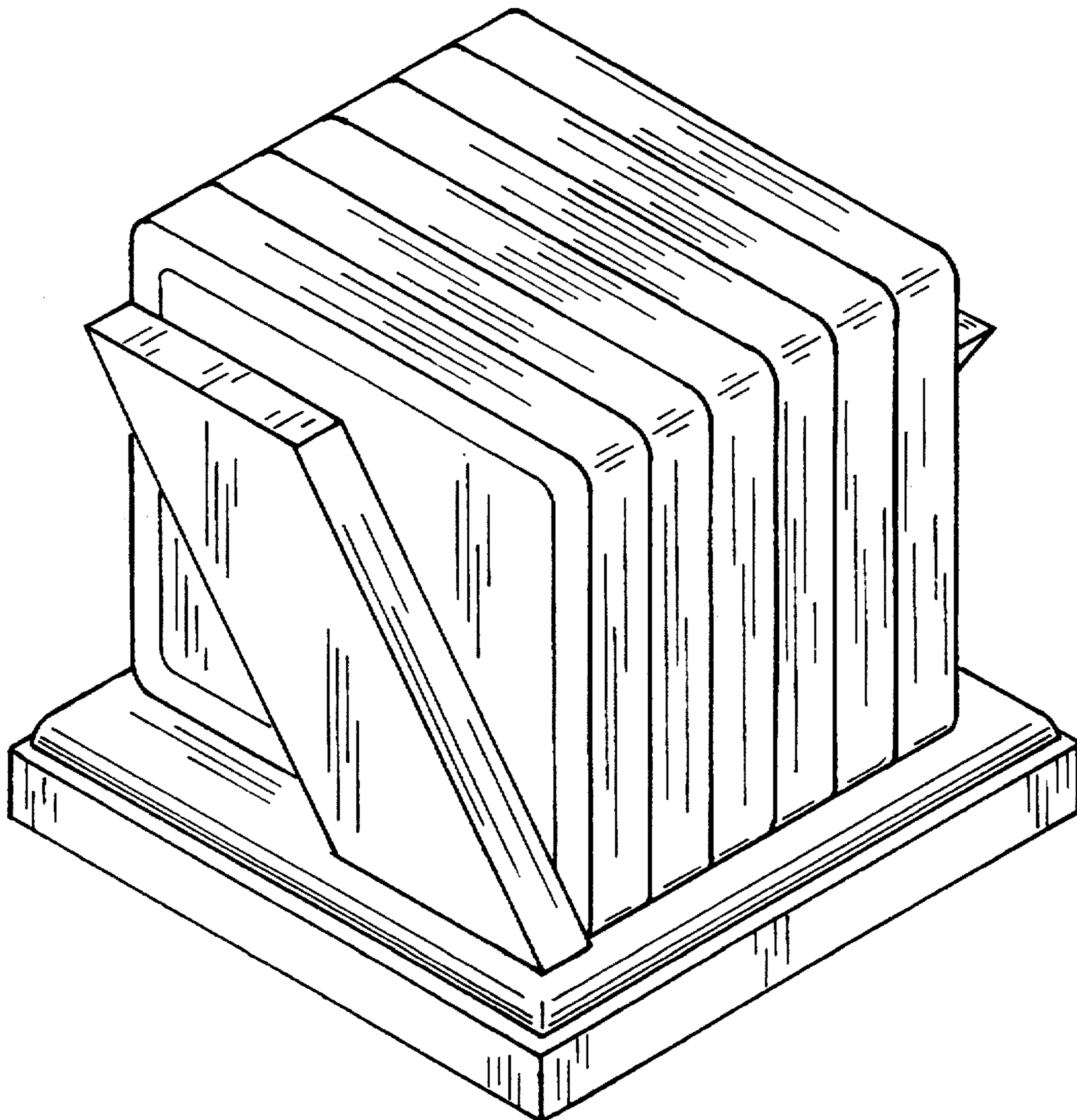
FIGS. 2-6 are shown on a reduced scale.

[56] **References Cited**

U.S. PATENT DOCUMENTS

- D. 229,270 11/1973 Press .
- D. 234,899 4/1975 Svensson .
- D. 336,205 6/1993 Cooper D7/624
- D. 358,740 5/1995 Ancona et al. .

1 Claim, 2 Drawing Sheets



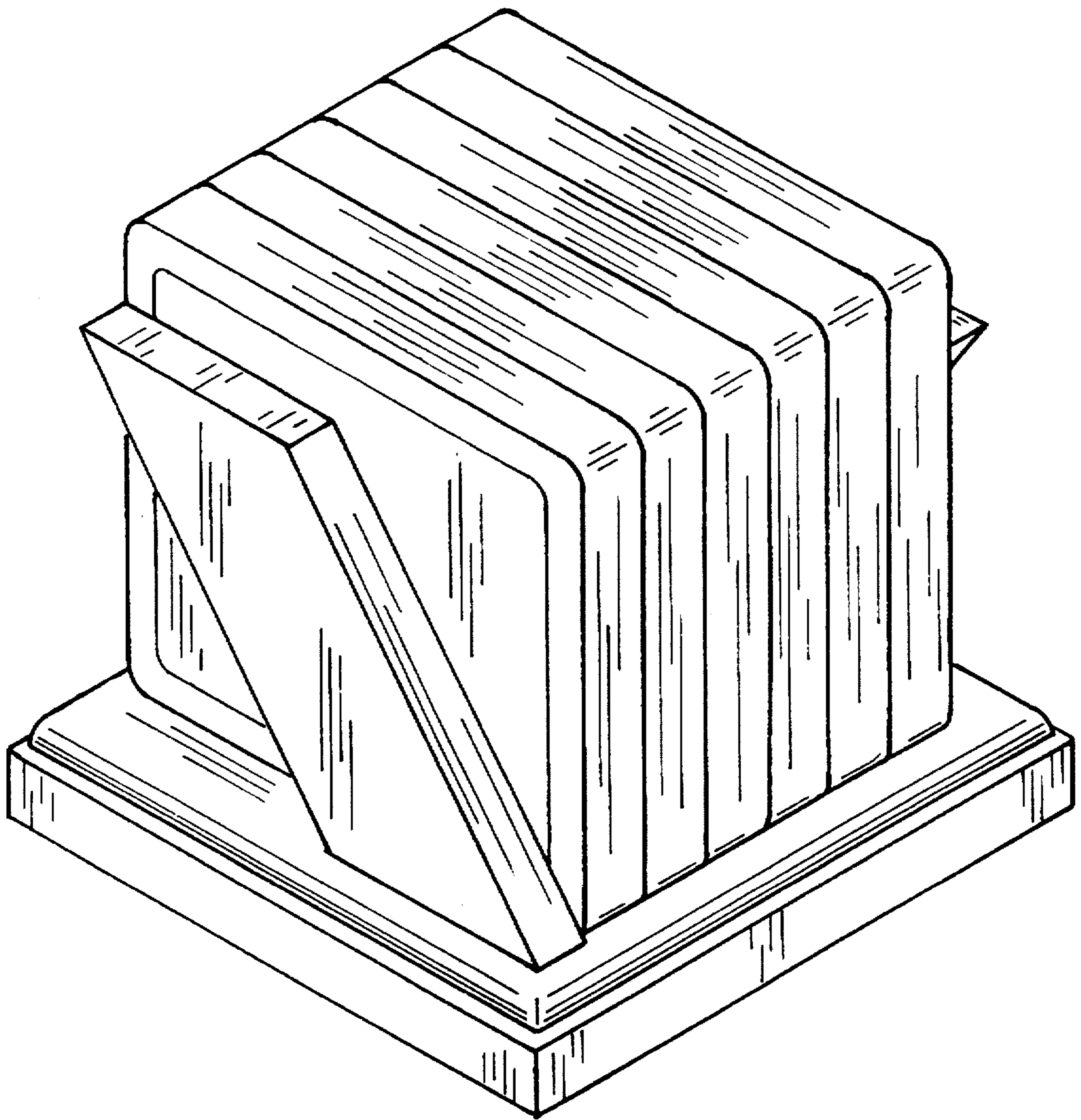


Fig. 1

Fig. 5



Fig. 2

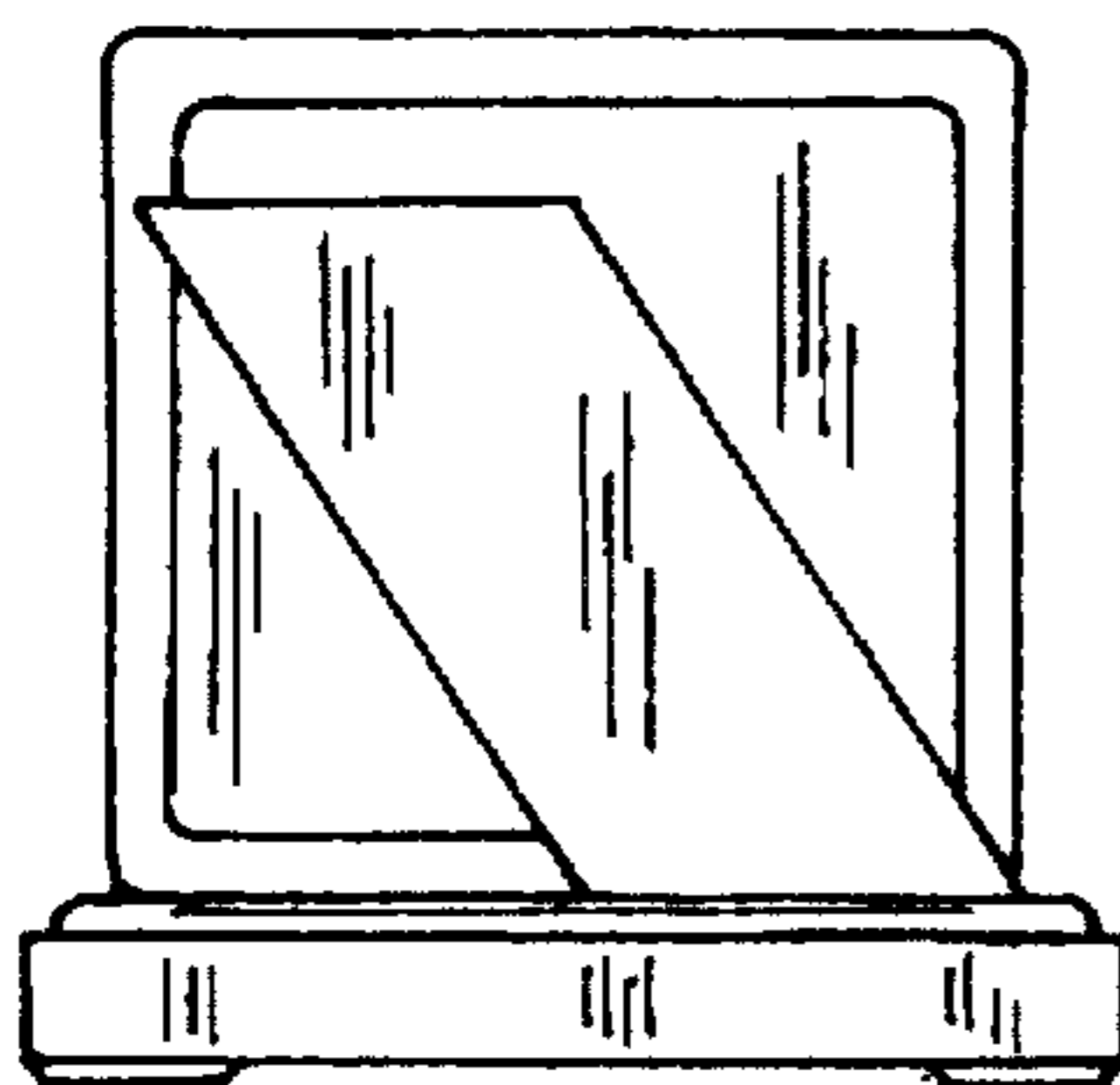


Fig. 4

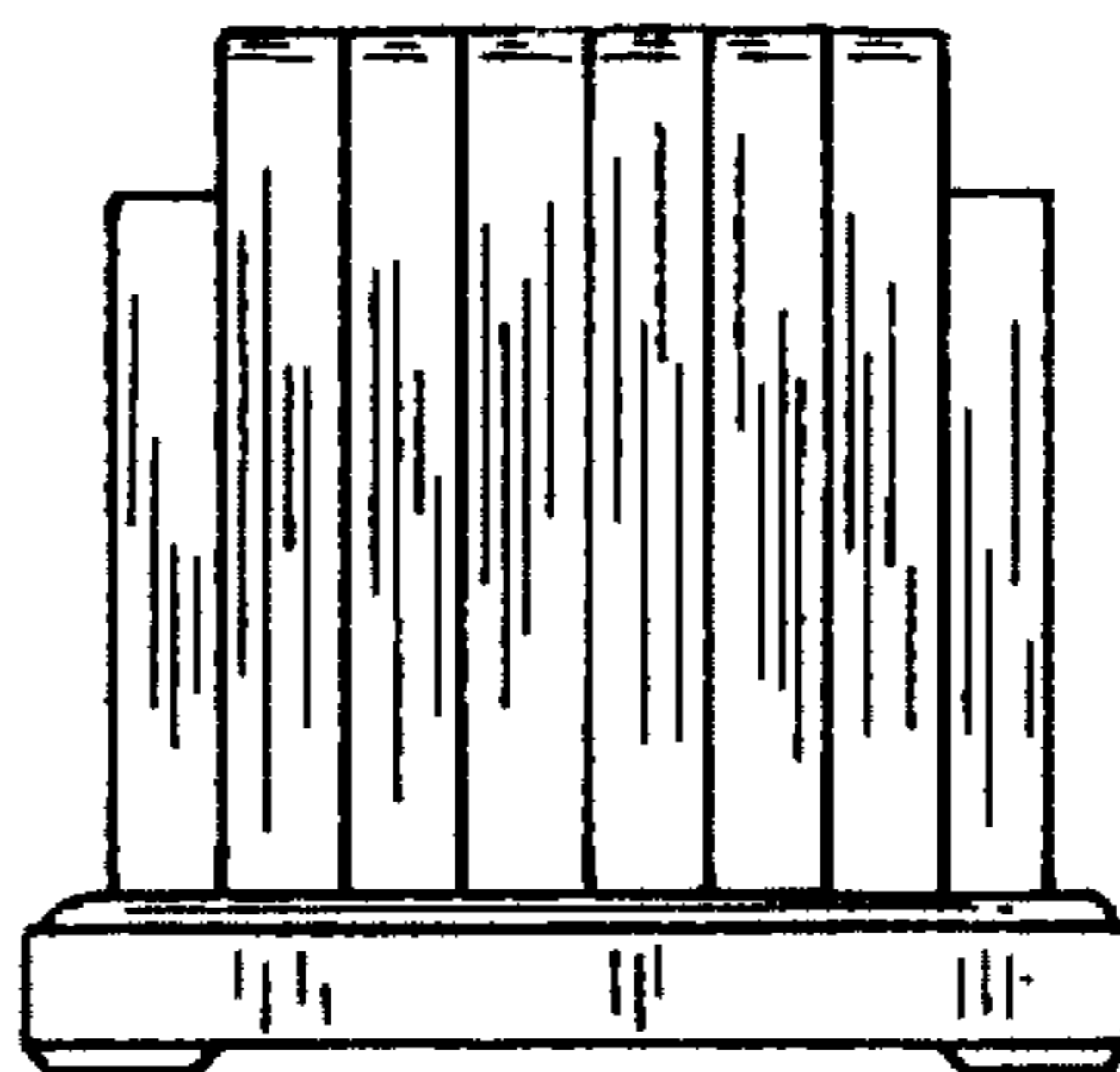


Fig. 3

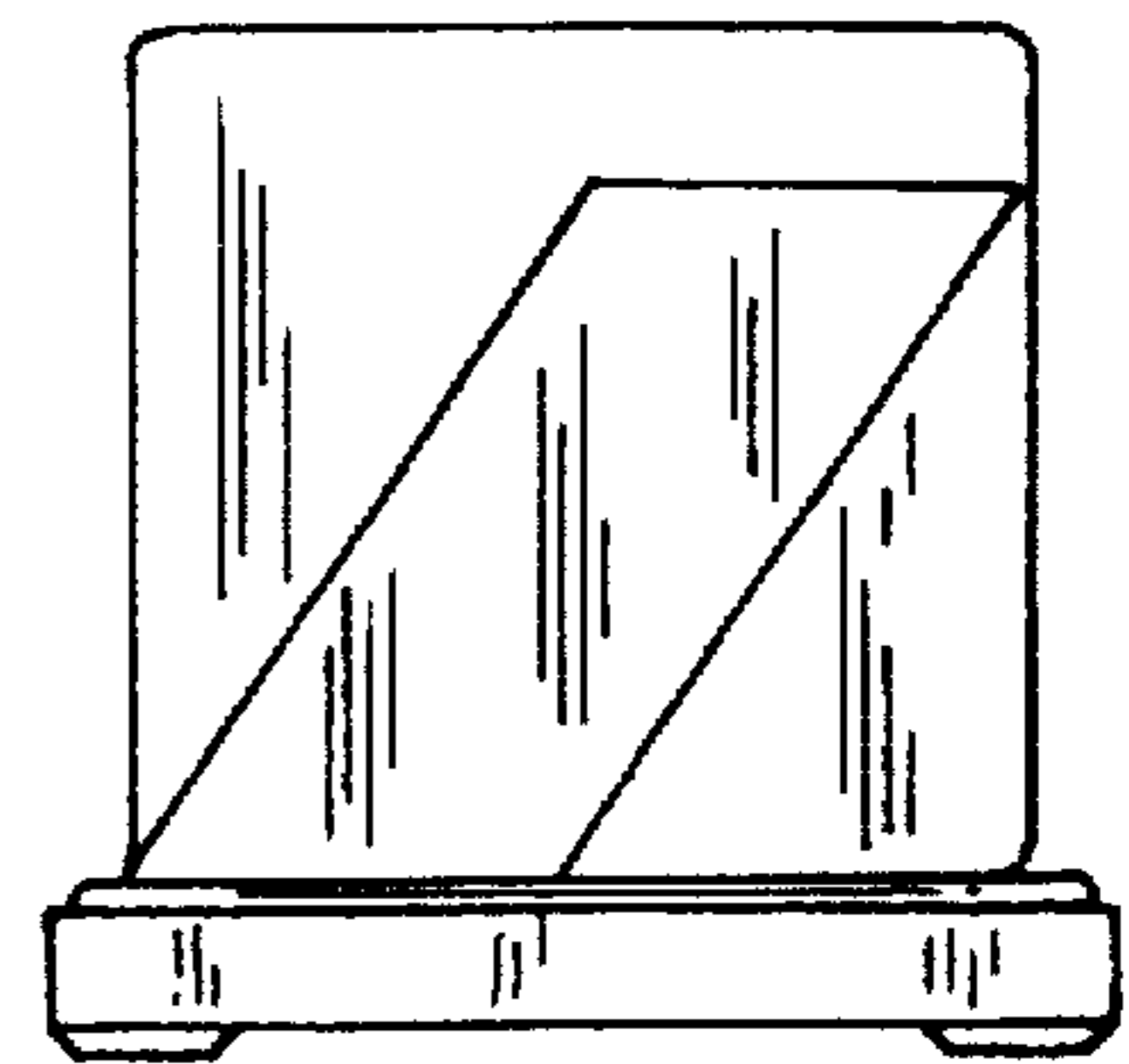


Fig. 6

