



US00D408216S

United States Patent [19]

Hellebjerg et al.

[11] Patent Number: **Des. 408,216**

[45] Date of Patent: ****Apr. 20, 1999**

[54] **COFFEE MACHINE HEAT REDUCER**

[76] Inventors: **Michael T Hellebjerg**, 2528 Langdale Ave., Los Angeles, Calif. 90041;
Evgeni Litvak, 4912 Placidia Ave., North Hollywood, Calif. 91601

[**] Term: **14 Years**

[21] Appl. No.: **29/074,510**

[22] Filed: **Jul. 25, 1997**

[51] LOC (6) Cl. **07-01**

[52] U.S. Cl. **D7/388; D7/407**

[58] Field of Search D7/307, 310, 311,
D7/305, 300, 388, 387, 396.6, 407, 408,
362, 363, 367; 99/295, 293, 422; 126/215,
214 C; 219/456, 433

[56] **References Cited**

U.S. PATENT DOCUMENTS

D. 340,383 10/1993 Addison et al. D7/407

D. 357,385 4/1995 Addison et al. D7/407
D. 371,276 7/1996 Laib D7/388
2,896,307 7/1959 Whiteley D7/408
5,183,995 2/1993 Addison et al. 219/433

Primary Examiner—M. N. Pandozzi

[57] **CLAIM**

The ornamental design for a coffee machine heat reducer, as shown.

DESCRIPTION

FIG. 1 is a front elevational view of a coffee machine heat reducer;

FIG. 2 is a rear elevational view thereof;

FIG. 3 is a left side elevational view thereof;

FIG. 4 is a right side elevational view thereof;

FIG. 5 is a top plan view thereof;

FIG. 6 is a bottom plan view thereof; and,

FIG. 7 is a perspective view thereof.

1 Claim, 3 Drawing Sheets

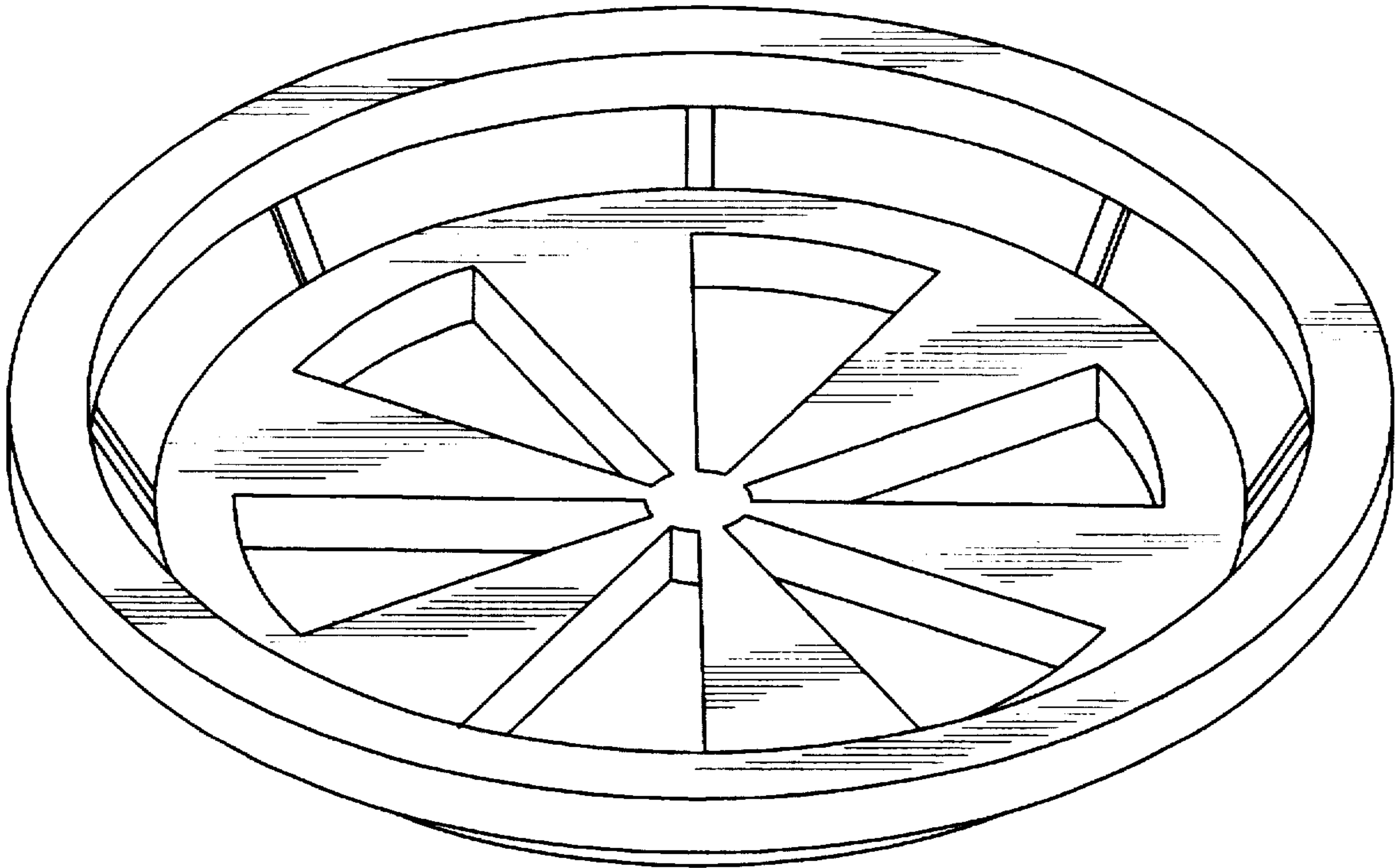


FIG. 1

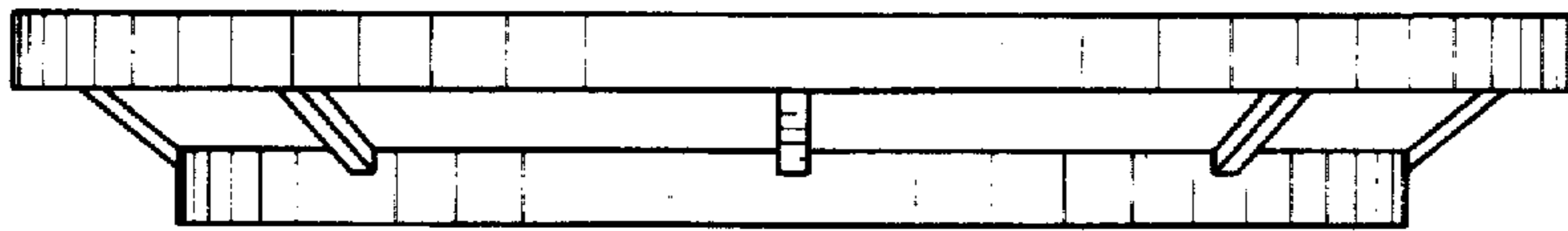


FIG. 2

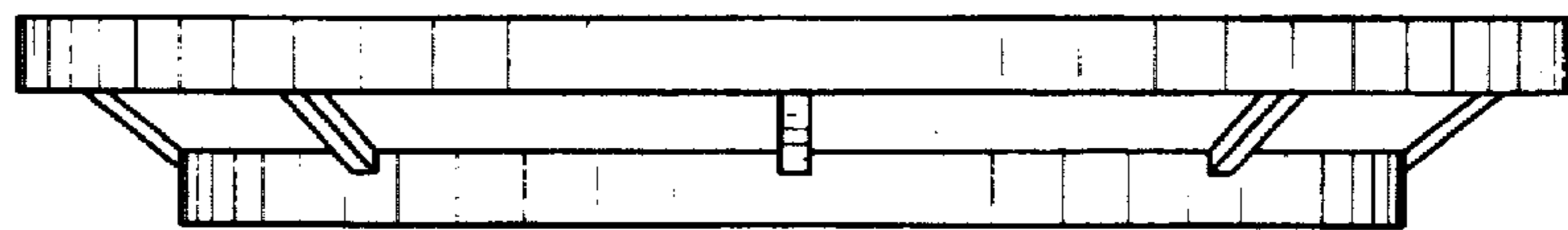


FIG. 3

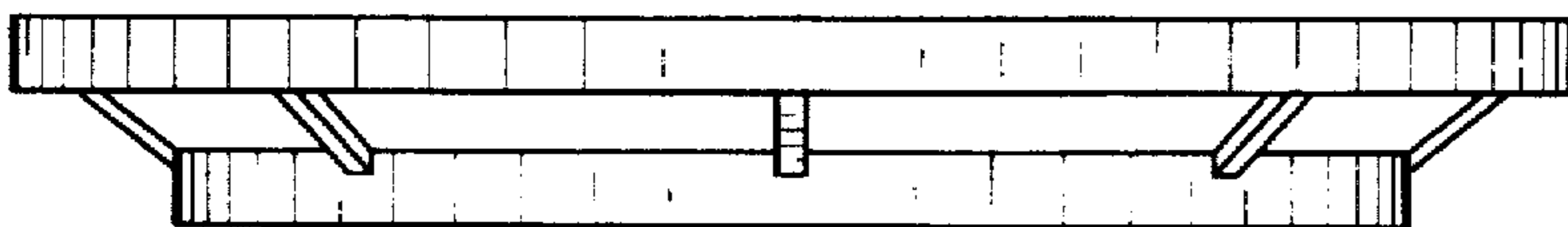


FIG. 4

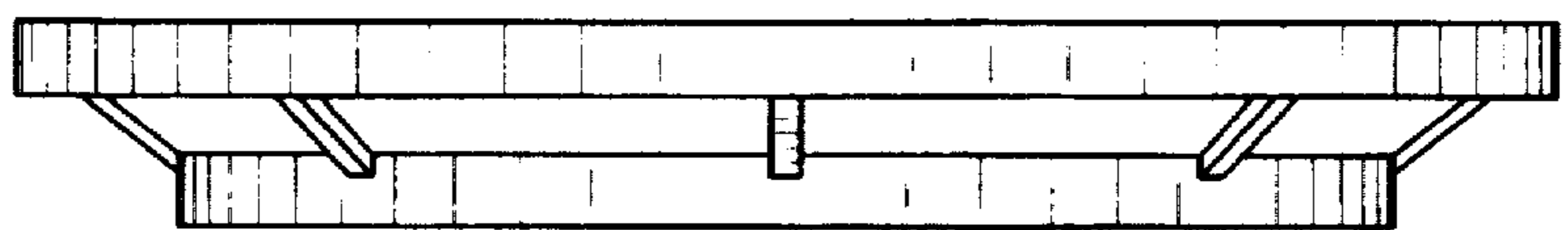


FIG. 5

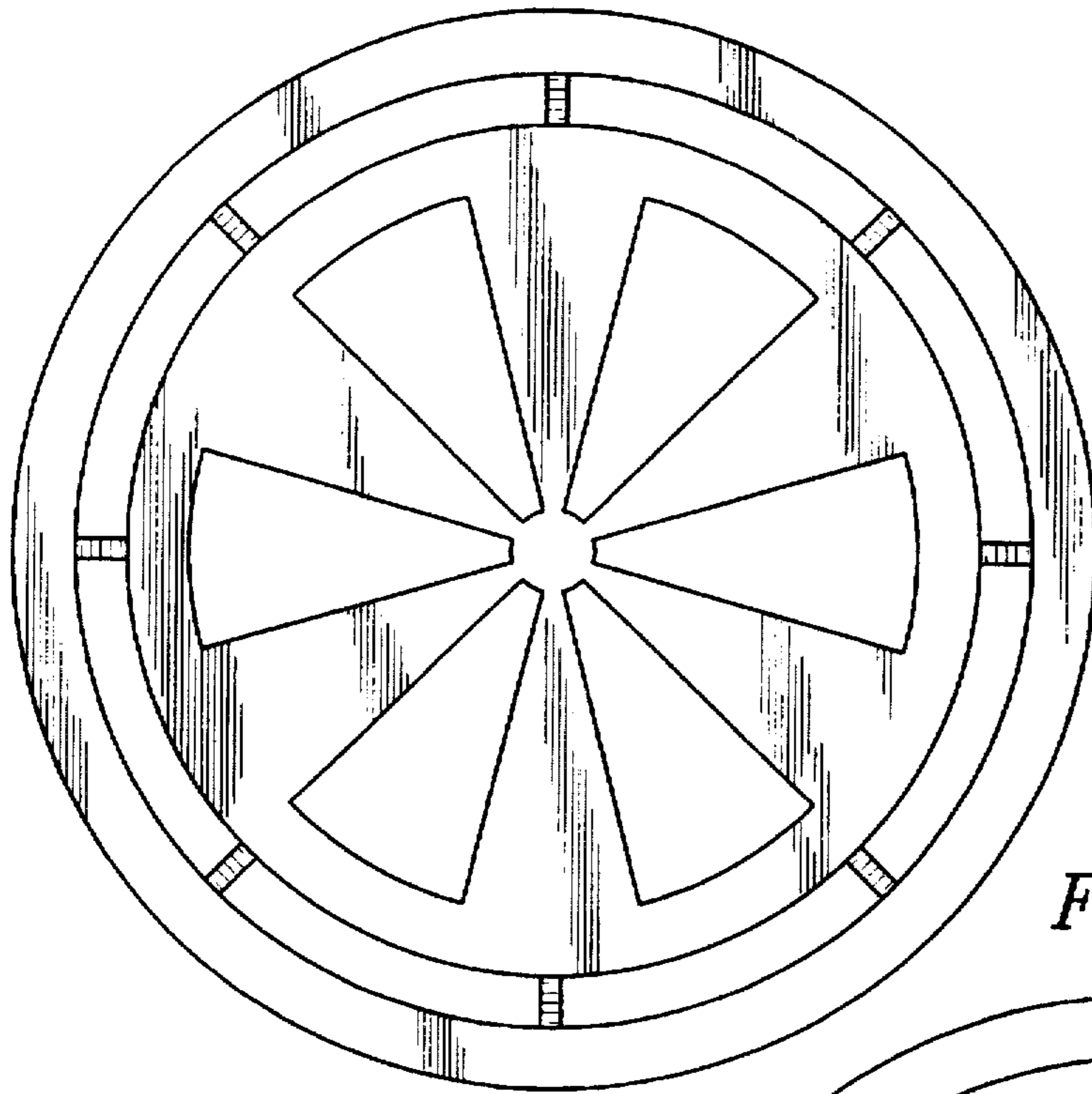


FIG. 6

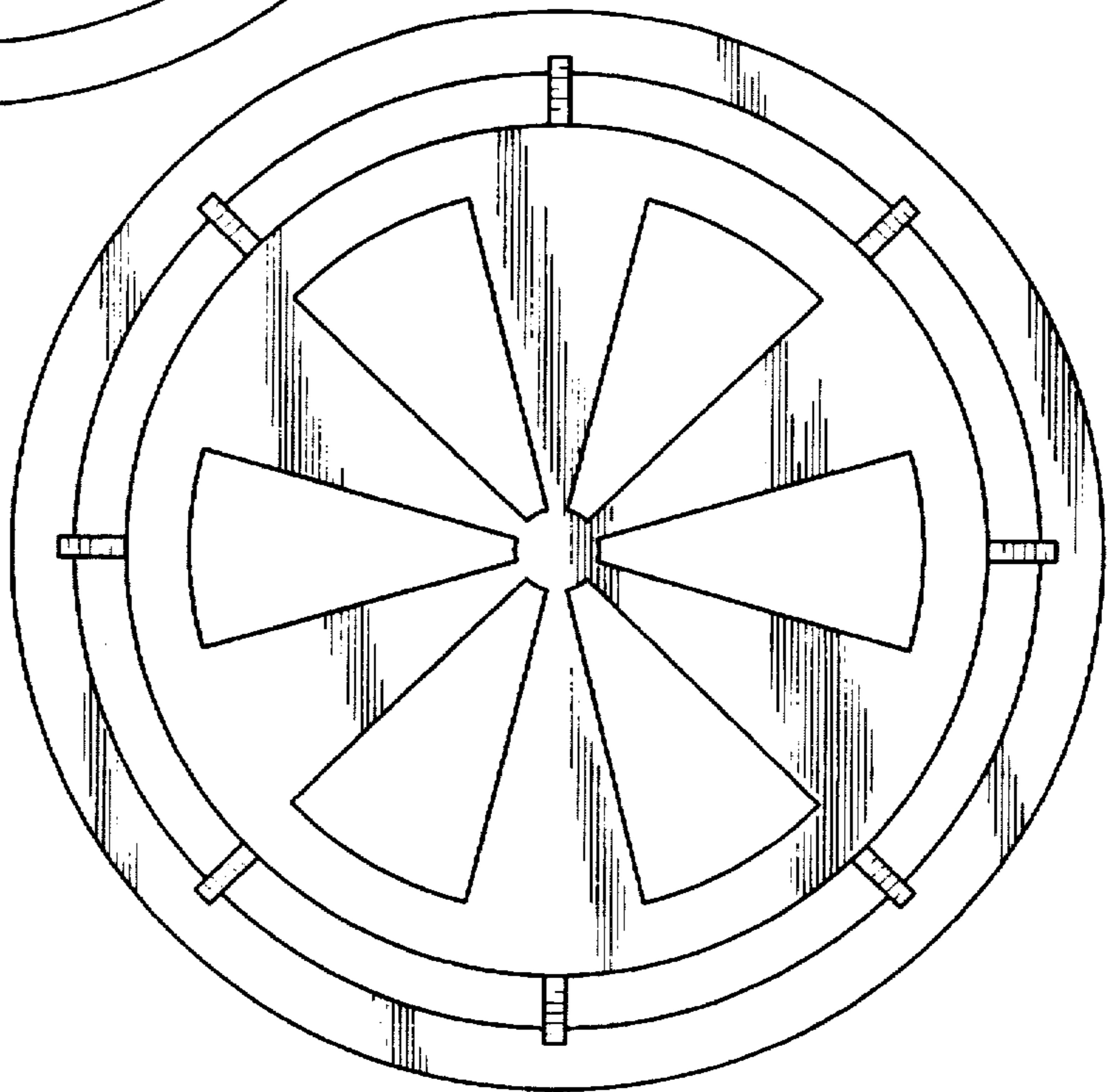


FIG. 7

