

US00D408213S

United States Patent [19] Lin

[11] Patent Number: Des. 408,213

[45] Date of Patent: ** Apr. 20, 1999

[54] ICE SHAVER

D. 318,776 8/1991 Lin D7/374
D. 337,239 7/1993 Lin D7/374
3,679,140 7/1972 Kaishita et al. 241/95

[75] Inventor: Yong-Sue Lin, Tainan, Taiwan

[73] Assignee: Shing-Pun Enterprise Co., Ltd.,
Tainan, Taiwan

Primary Examiner—Ruth McInroy
Attorney, Agent, or Firm—Rosenberg, Klein & Bilker

[**] Term: 14 Years

[57] CLAIM

[21] Appl. No.: 29/072,805

The ornamental design for a ice shaver, as shown and described.

[22] Filed: Jun. 30, 1997

DESCRIPTION

[51] LOC (6) Cl. 07-02

[52] U.S. Cl. D7/374

[58] Field of Search D7/372-374, 383-384;
241/DIG. 17, 152.1, 95, 274, 82.1, 83,
277, 285.1

FIG. 1 is a perspective view of a ice shaver showing our new design;

FIG. 2 is a front elevational view thereof;

FIG. 3 is a rear elevational view thereof;

FIG. 4 is a left side elevational view thereof;

FIG. 5 is a right side elevational view thereof;

FIG. 6 is a top plan view thereof; and,

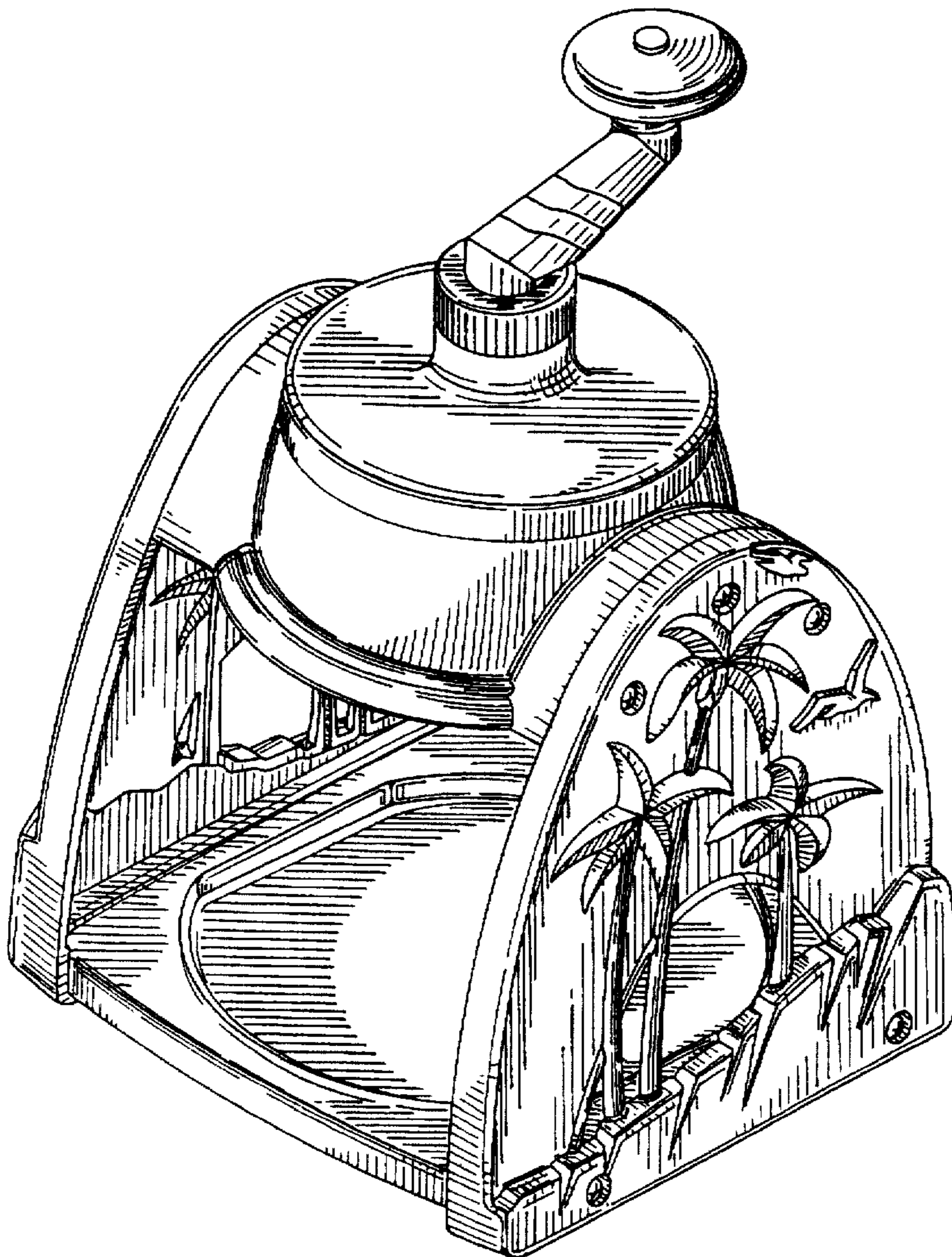
FIG. 7 is a bottom plan view thereof.

[56] References Cited

U.S. PATENT DOCUMENTS

D. 304,897 12/1989 Lin D7/374
D. 305,602 1/1990 Inomata D7/374

1 Claim, 4 Drawing Sheets



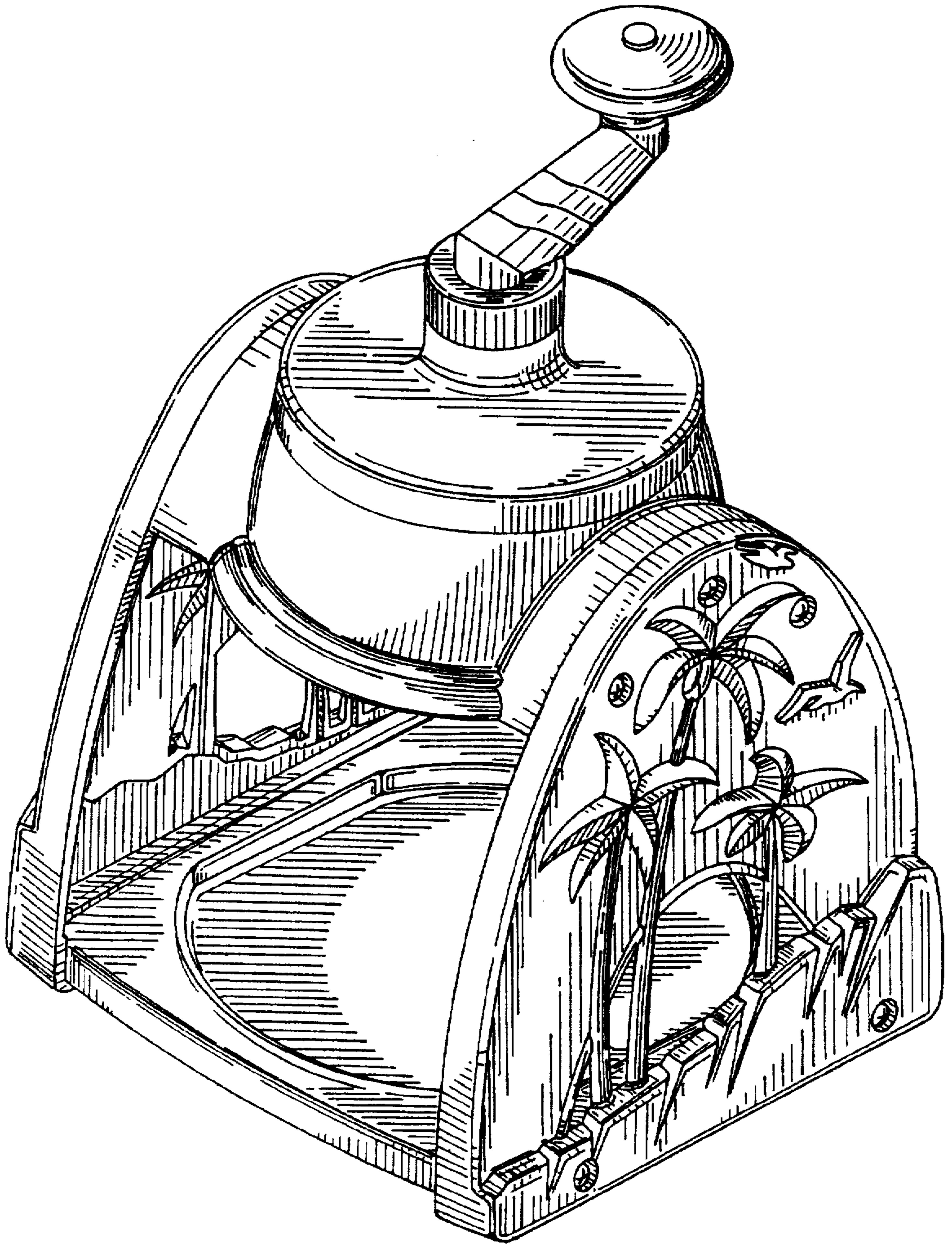


FIG. 1

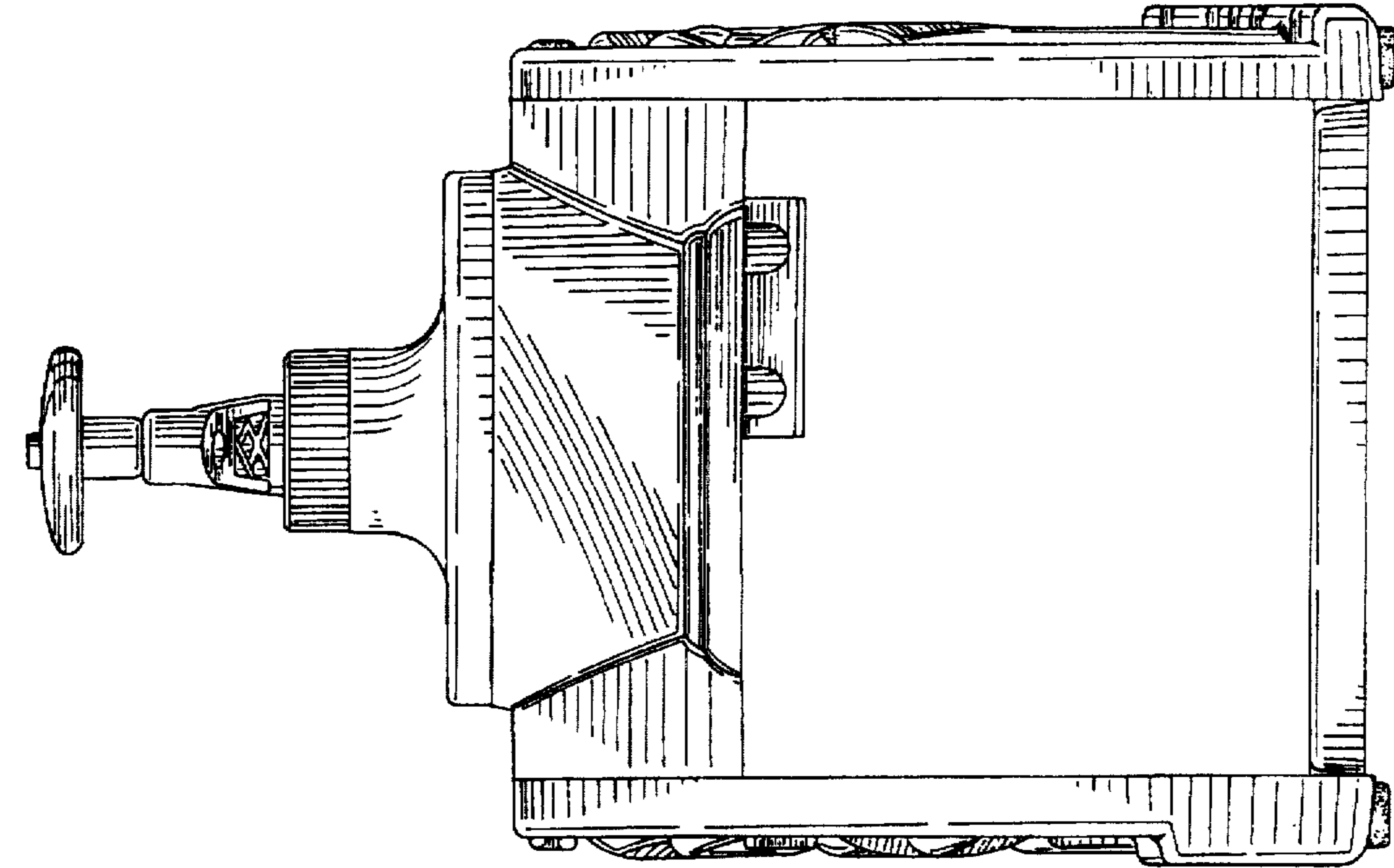


FIG.3

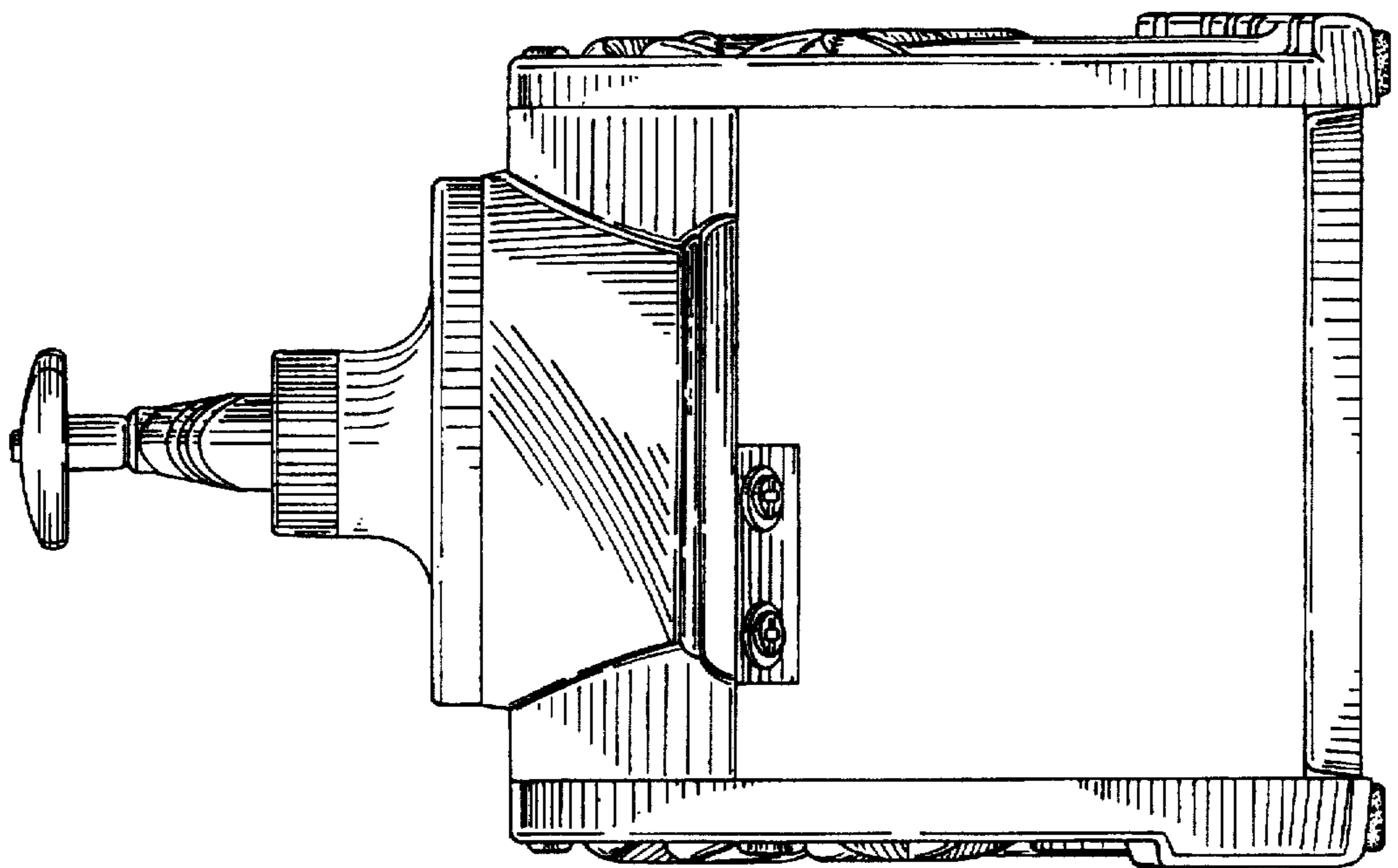


FIG.2

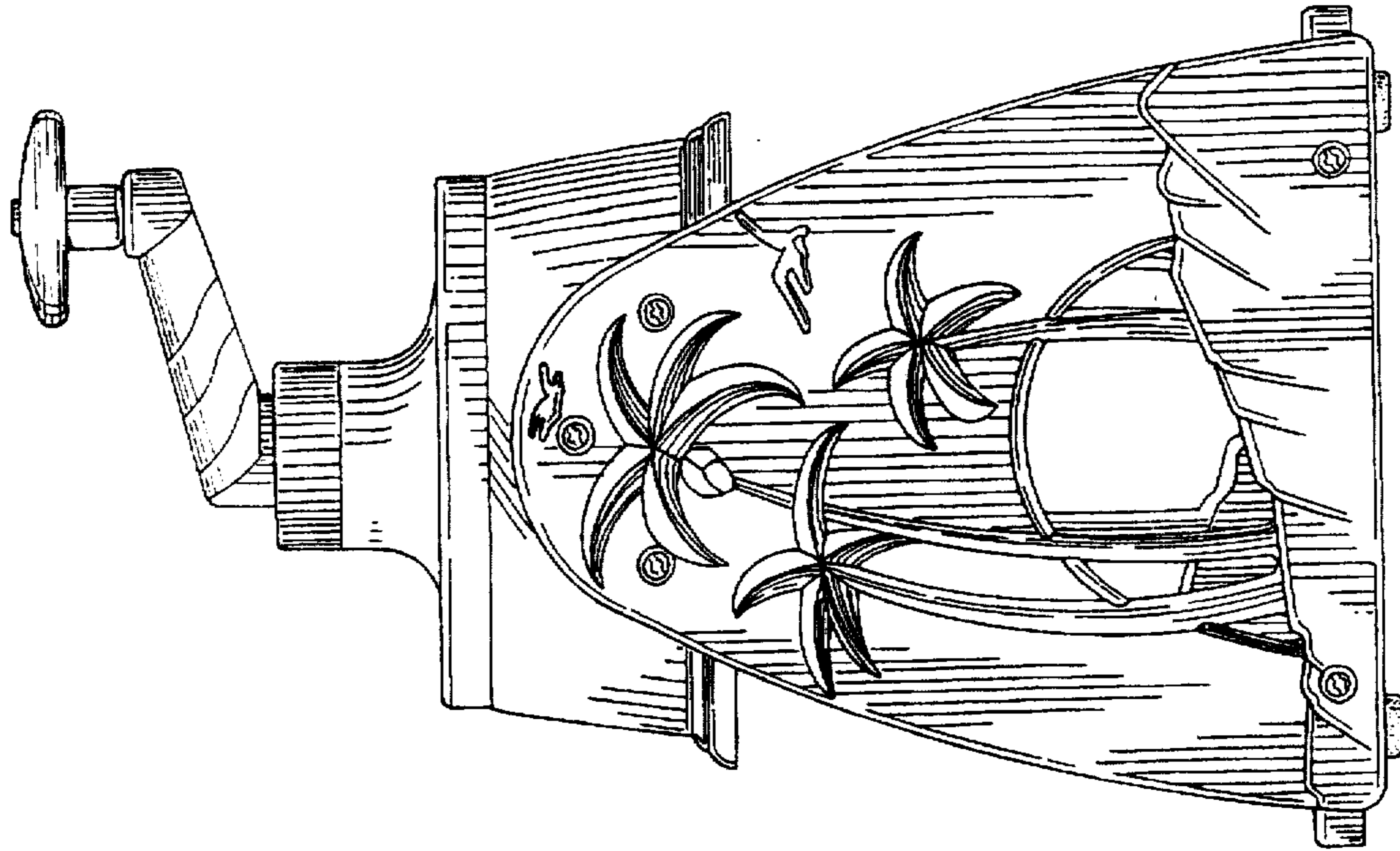


FIG. 5

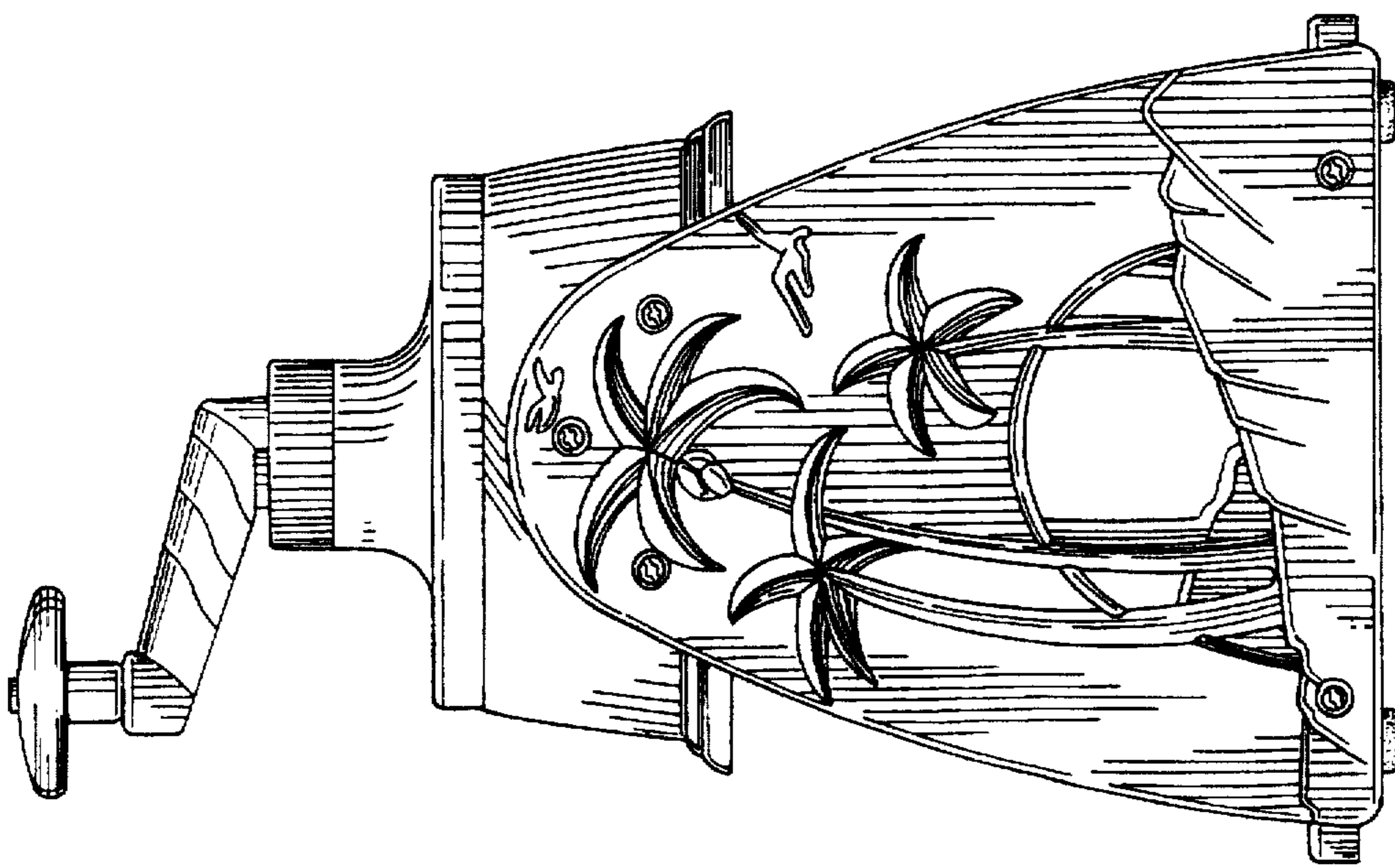


FIG. 4

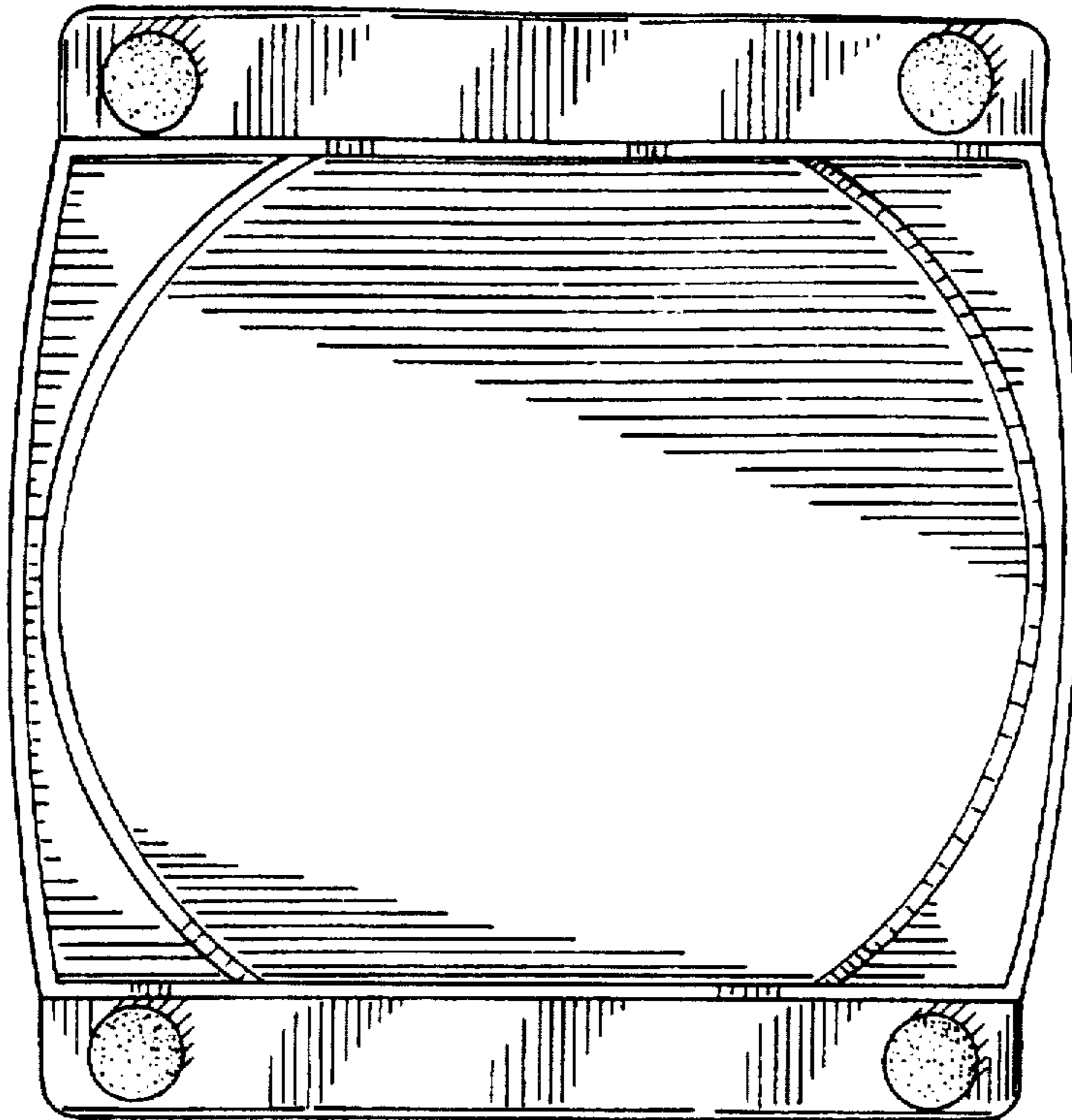


FIG. 7

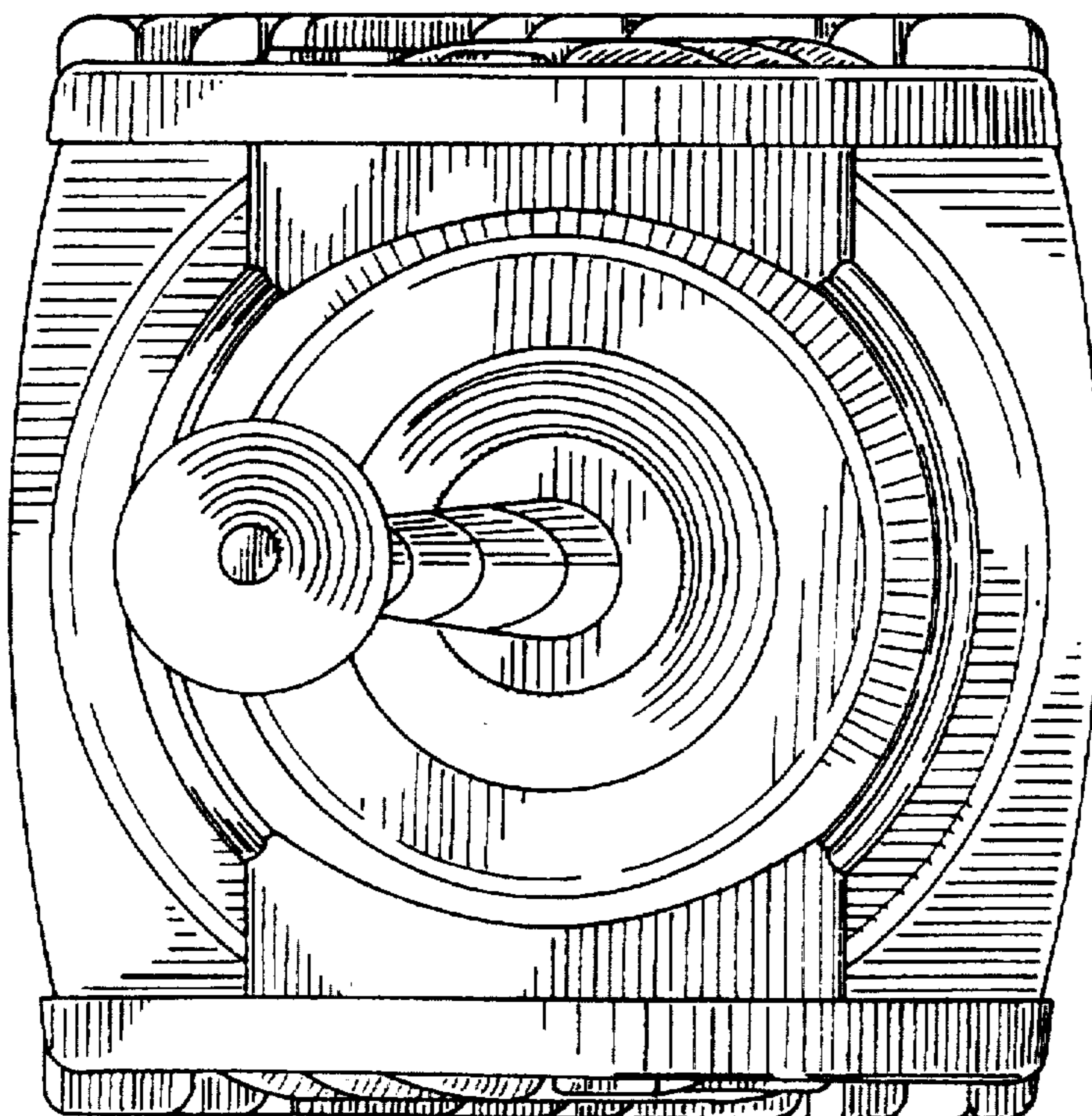


FIG. 6