



US00D408203S

# United States Patent [19]

D'Agaro et al.

[11] Patent Number: **Des. 408,203**

[45] Date of Patent: **\*\*Apr. 20, 1999**

[54] **DRAWER FRONT FOR MODULAR CONTAINER FOR MEDIA STORAGE**

[75] Inventors: **Amos D'Agaro; Andrea Venturini**, both of Udine, Italy

[73] Assignee: **Exponent Italia S.r.l.**, Udine, Italy

[\*\*] Term: **14 Years**

[21] Appl. No.: **29/080,250**

[22] Filed: **Dec. 5, 1997**

[30] **Foreign Application Priority Data**

Jun. 5, 1997 [IT] Italy ..... PN97O0007

[51] LOC (6) Cl. .... **06-04**

[52] U.S. Cl. .... **D6/628; D6/627**

[58] Field of Search ..... D6/407, 509, 510, D6/628; D14/114; 206/308.1, 387.15; 312/330.1, 280

[56] **References Cited**

**U.S. PATENT DOCUMENTS**

D. 230,855	3/1974	Wright	.....	D14/114
D. 233,859	12/1974	Tyke	.....	D6/510
D. 286,481	11/1986	Case et al.	.....	D6/510
D. 309,976	8/1990	Ackeret	.....	D6/627
D. 314,861	2/1991	Ackeret	.....	D6/628
D. 321,802	11/1991	Smith	.....	D6/510
D. 335,409	5/1993	Kellems	.....	D6/510
D. 341,737	11/1993	Shepherd	.....	D6/509
D. 386,634	11/1997	Daug	.....	D6/510
D. 395,968	7/1998	Shappell	.....	D6/509
1,380,371	6/1921	Fleming	.....	312/237

4,960,205	10/1990	Wang	.....	206/307.1
5,106,946	4/1992	Reznikov et al.	.....	312/108
5,716,116	2/1998	Carlson et al.	.....	312/280
5,720,387	2/1998	Young	.....	206/330.1

*Primary Examiner*—Celia Murphy  
*Attorney, Agent, or Firm*—Wenderoth, Lind & Ponack, L.L.P.

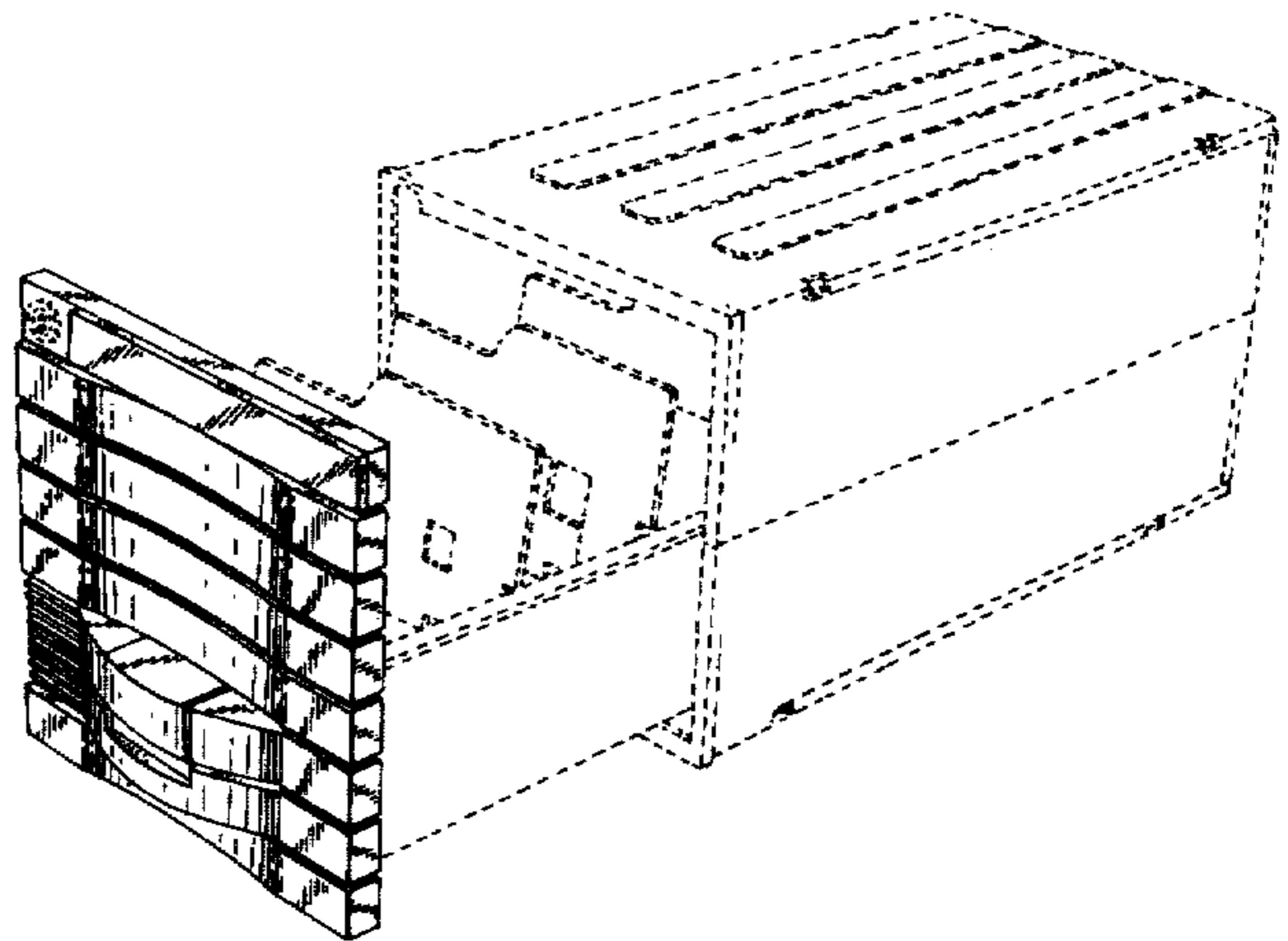
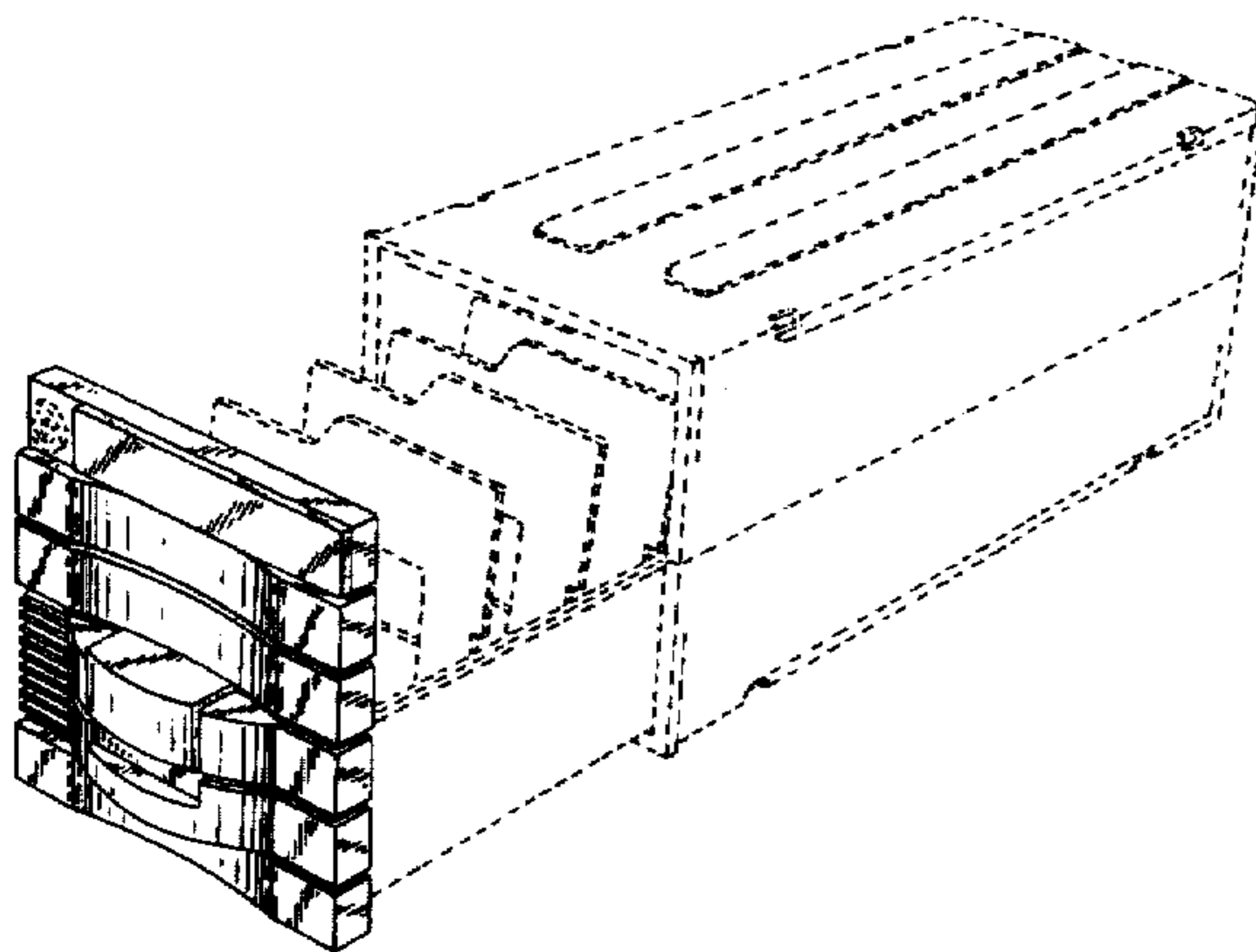
[57] **CLAIM**

We claim the ornamental design for a drawer front for modular container for media storage, as shown and described.

**DESCRIPTION**

FIG. 1 is a perspective view of a drawer front for modular container for media storage showing our new design, the broken lines in FIGS. 1, 3-8; 10-14 showing a drawer, locking device and modular container being for illustrative purposes only and forming no part of the claimed design; FIG. 2 is a front view thereof; FIG. 3 is a rear view thereof; FIG. 4 is a right side view thereof; FIG. 5 is a left side view thereof; FIG. 6 is a top view thereof; FIG. 7 is a bottom view; FIG. 8 is a perspective view of an alternate embodiment of the design shown in FIG. 1; FIG. 9 is a front view of FIG. 8; FIG. 10 is a rear view of FIG. 8; FIG. 11 is a right side view of FIG. 8; FIG. 12 is a left side view of FIG. 8; FIG. 13 is a top view of FIG. 8; and, FIG. 14 is a bottom view of FIG. 8.

**1 Claim, 8 Drawing Sheets**



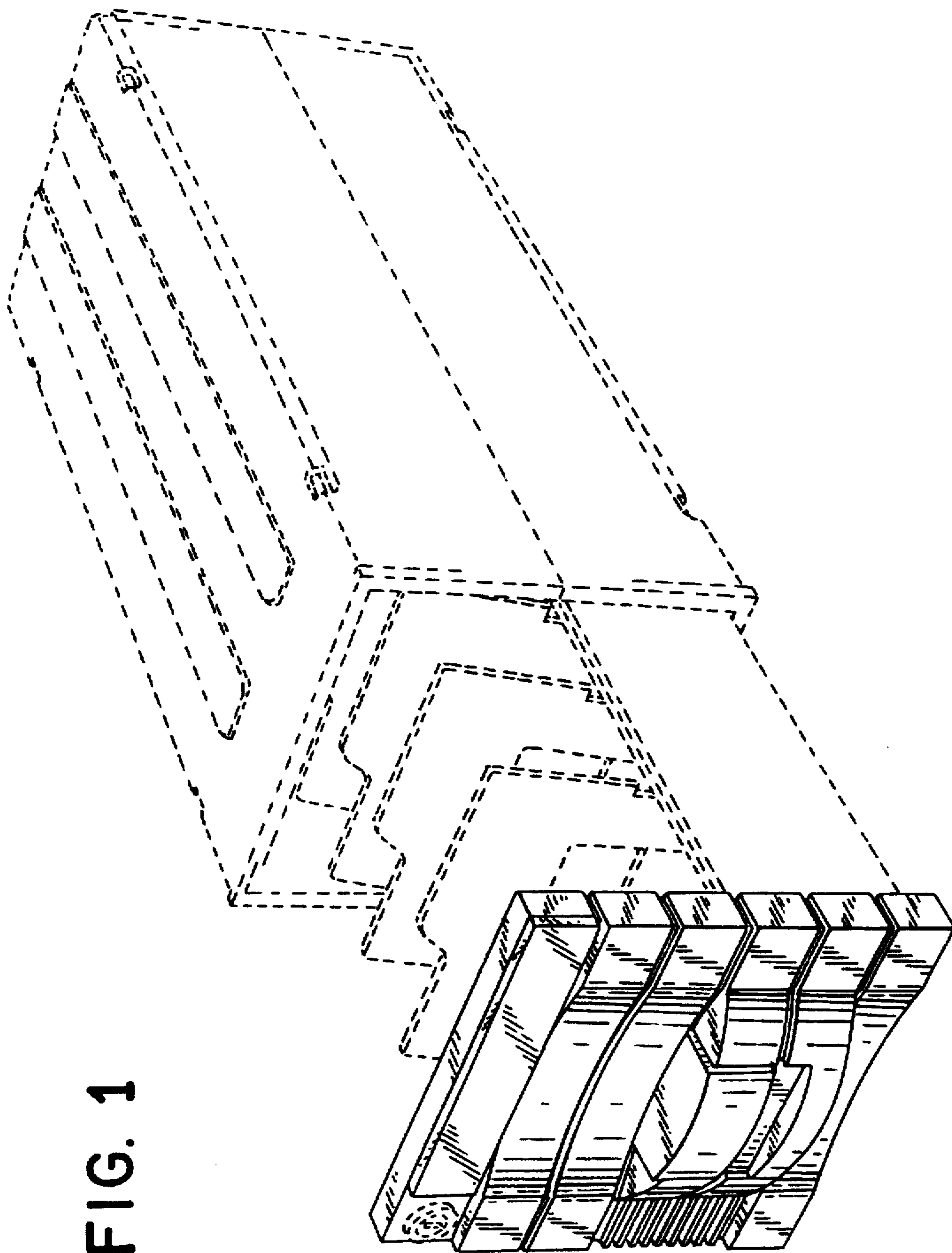


FIG. 1

FIG. 2

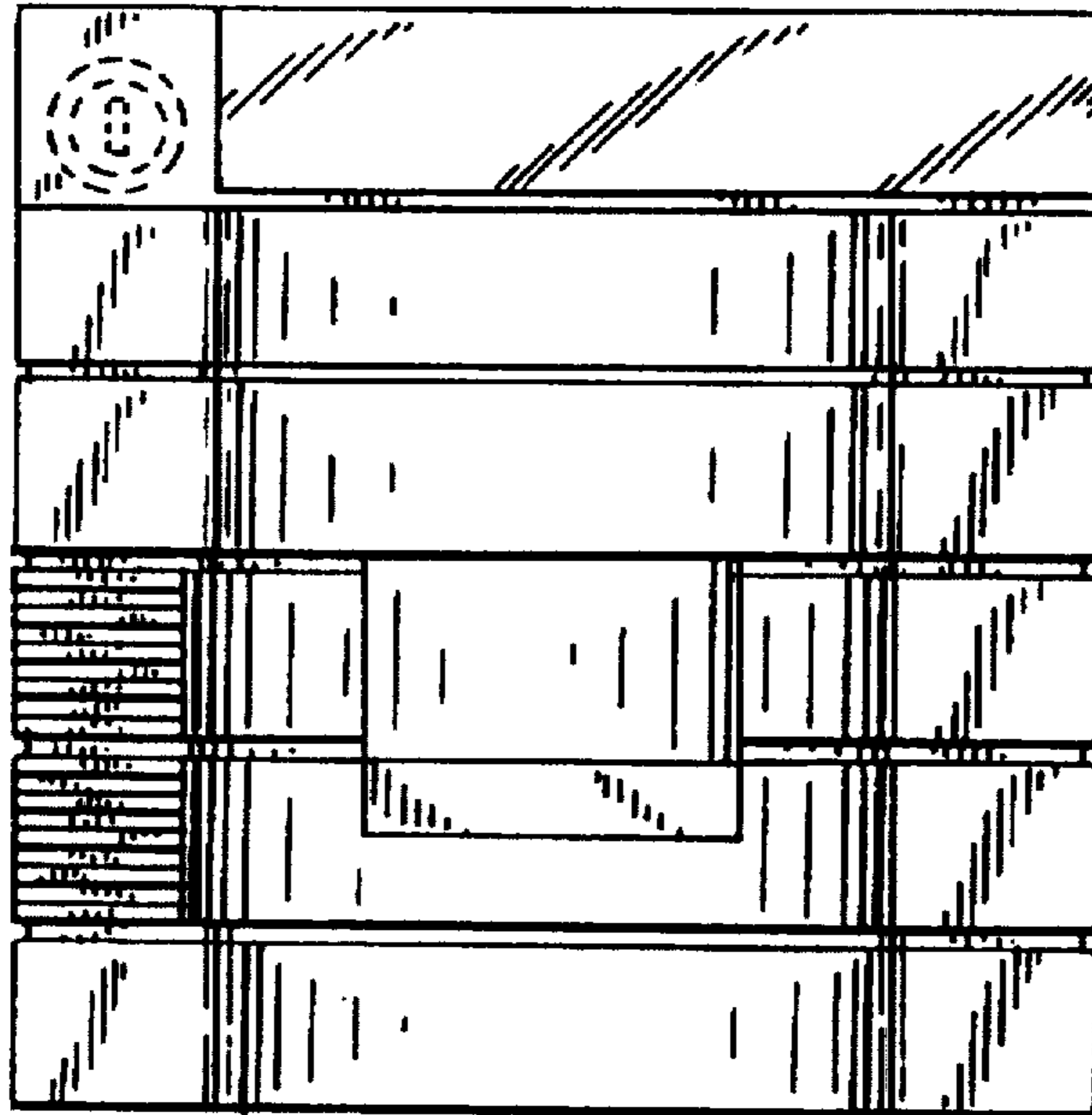


FIG. 3

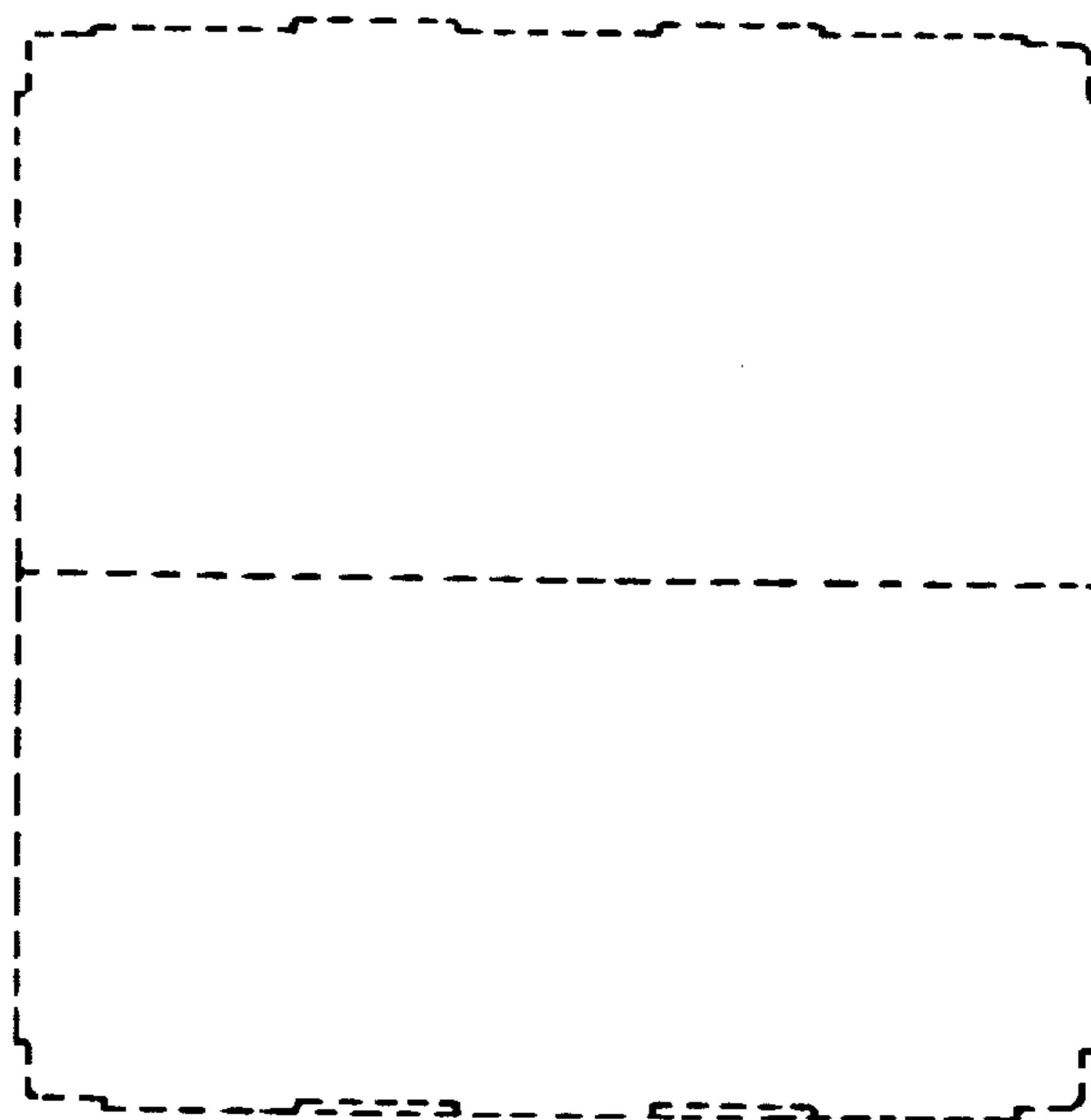


FIG. 4

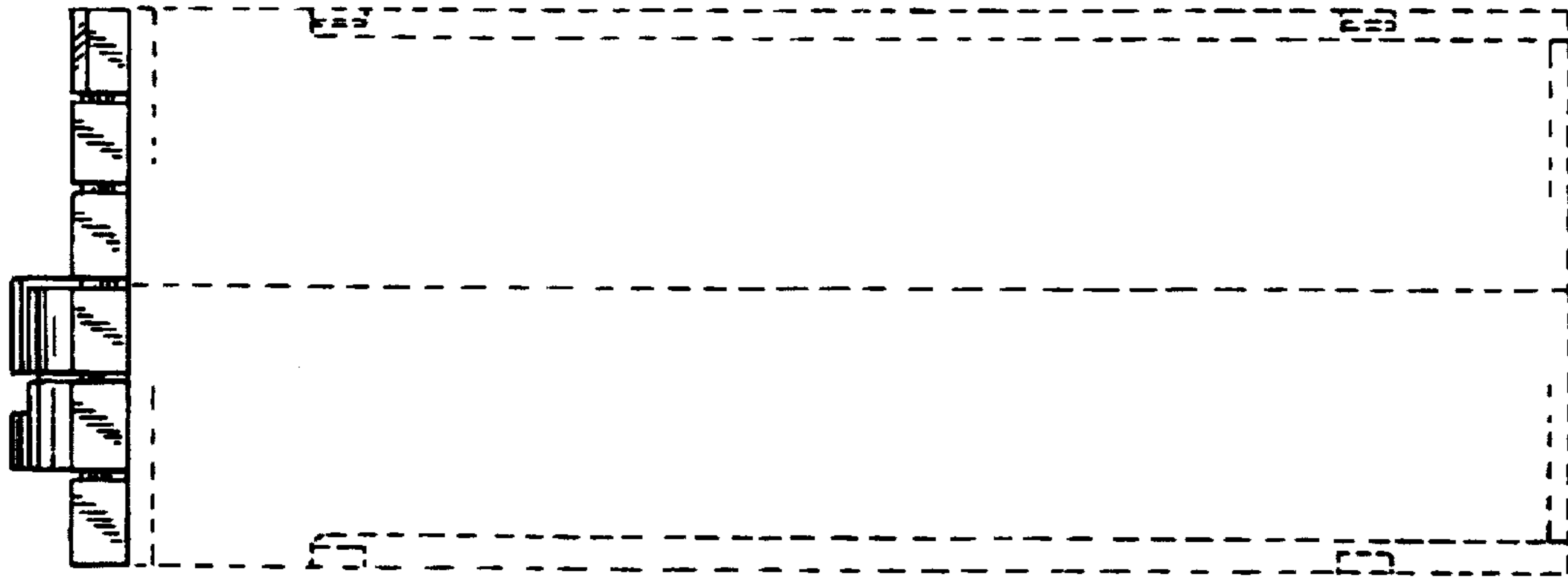


FIG. 5

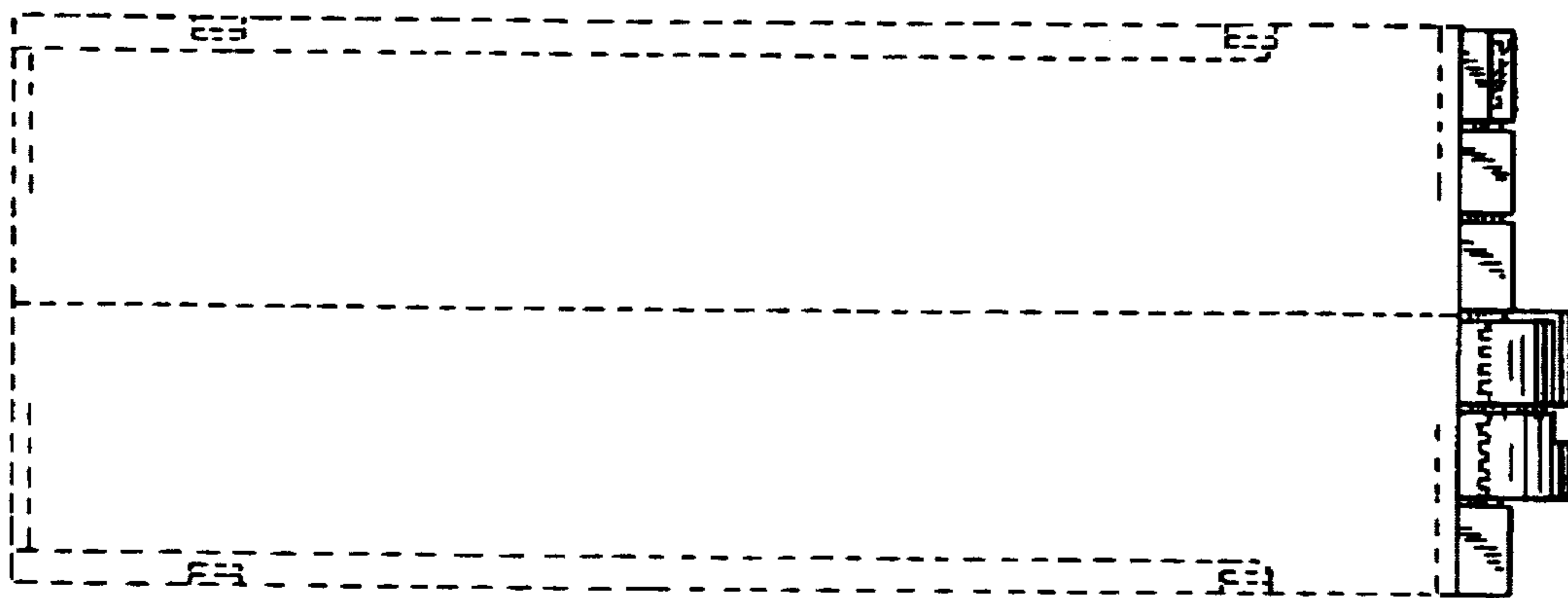


FIG. 6

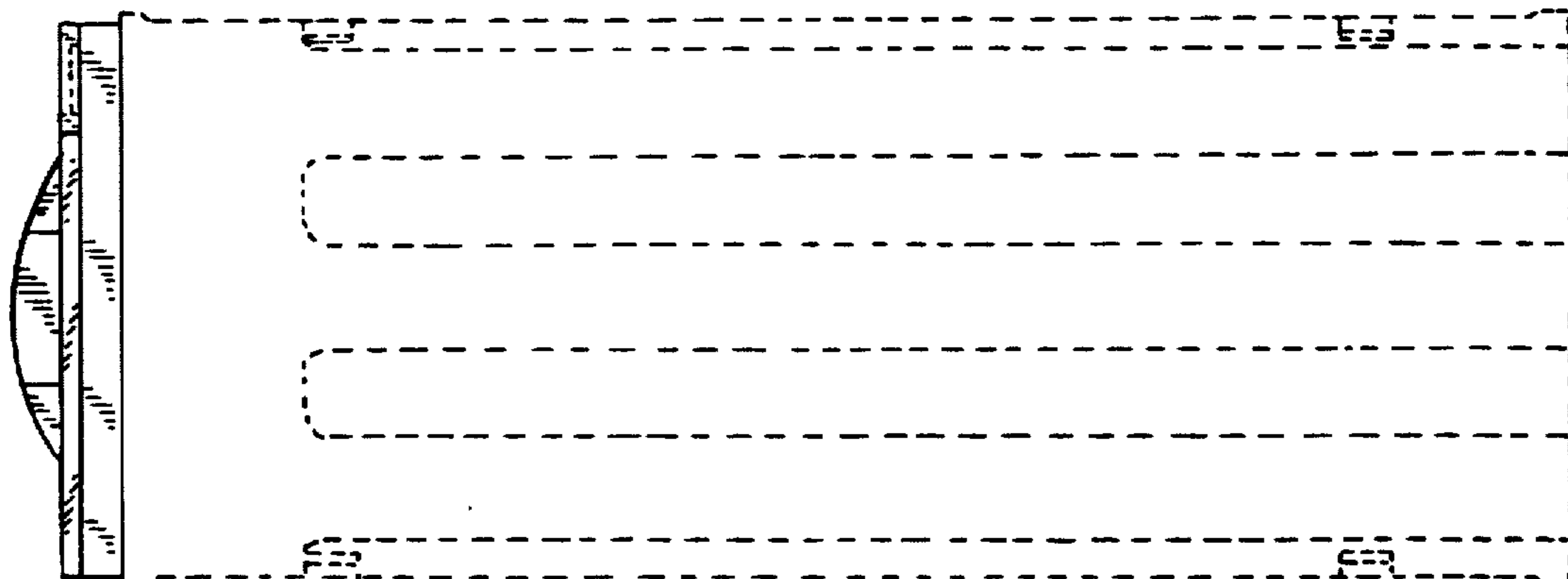
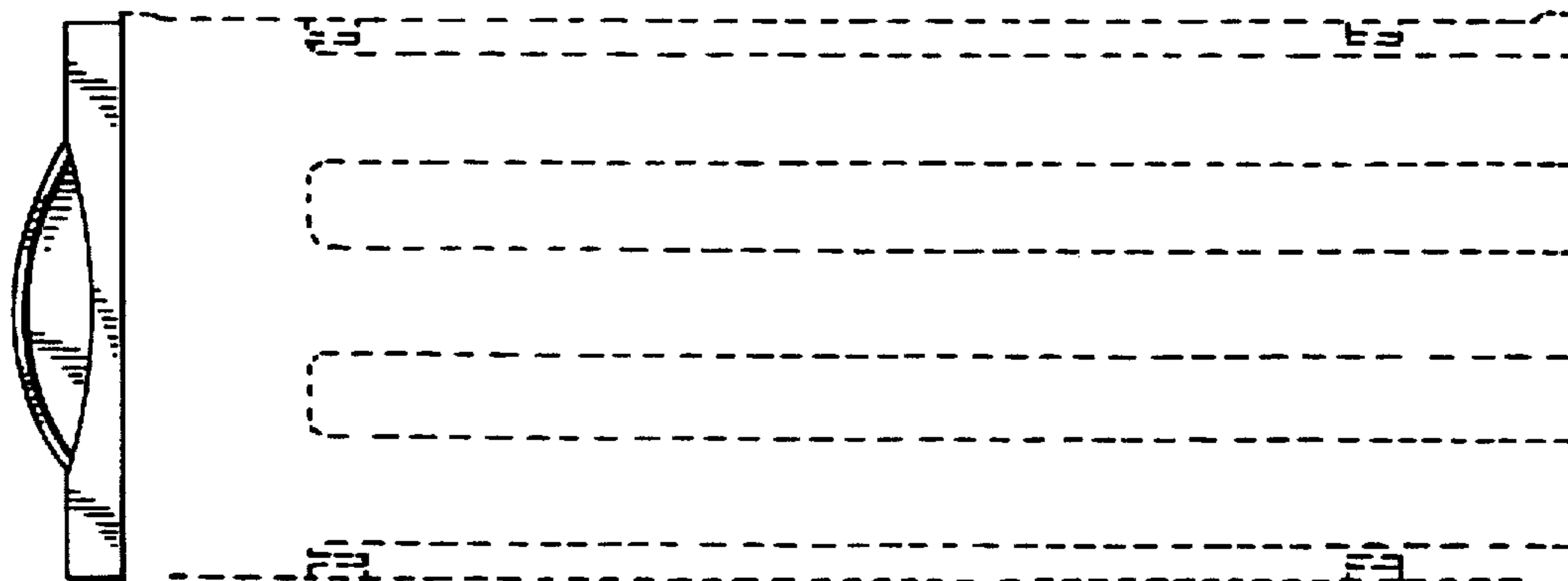


FIG. 7



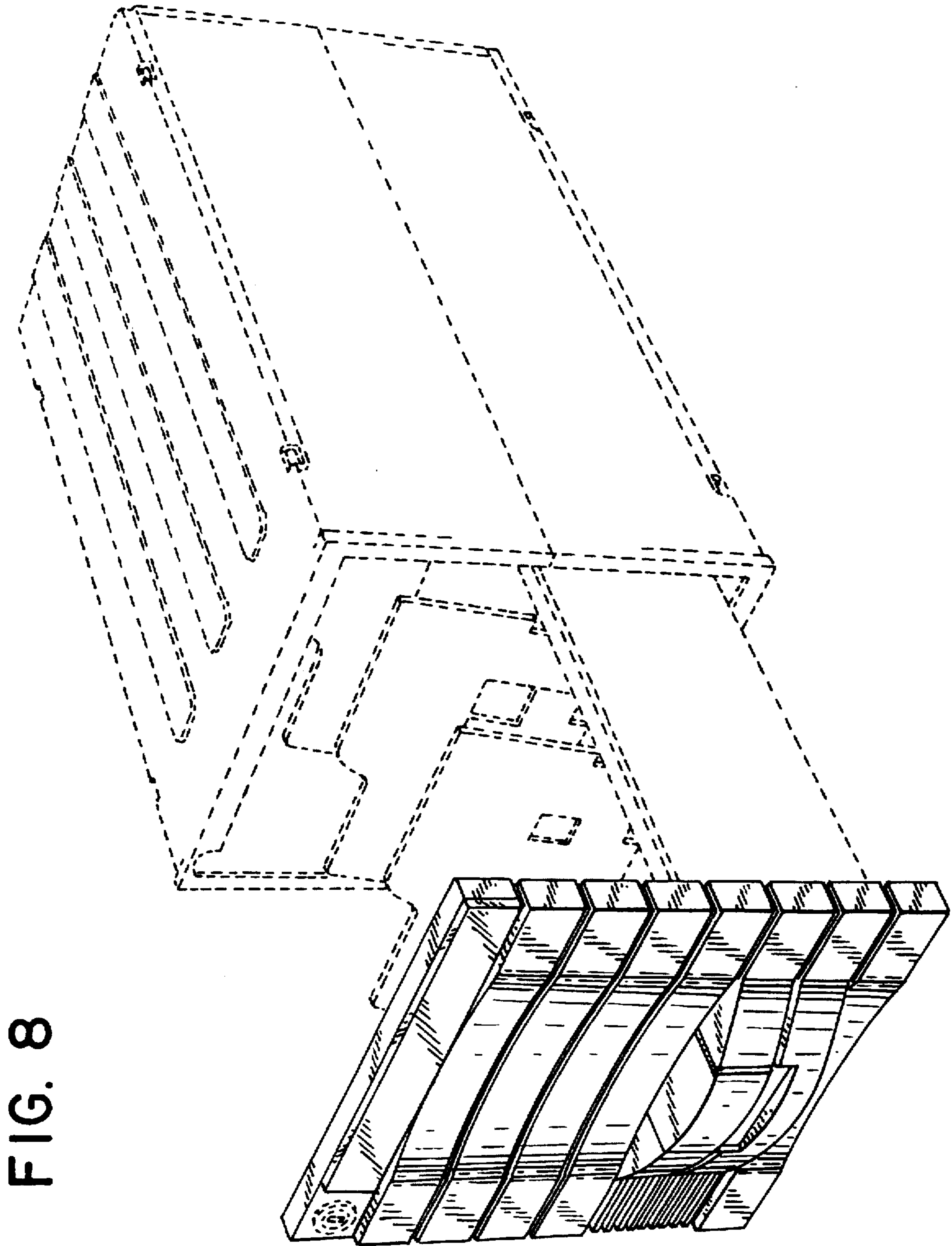


FIG. 8

FIG. 9

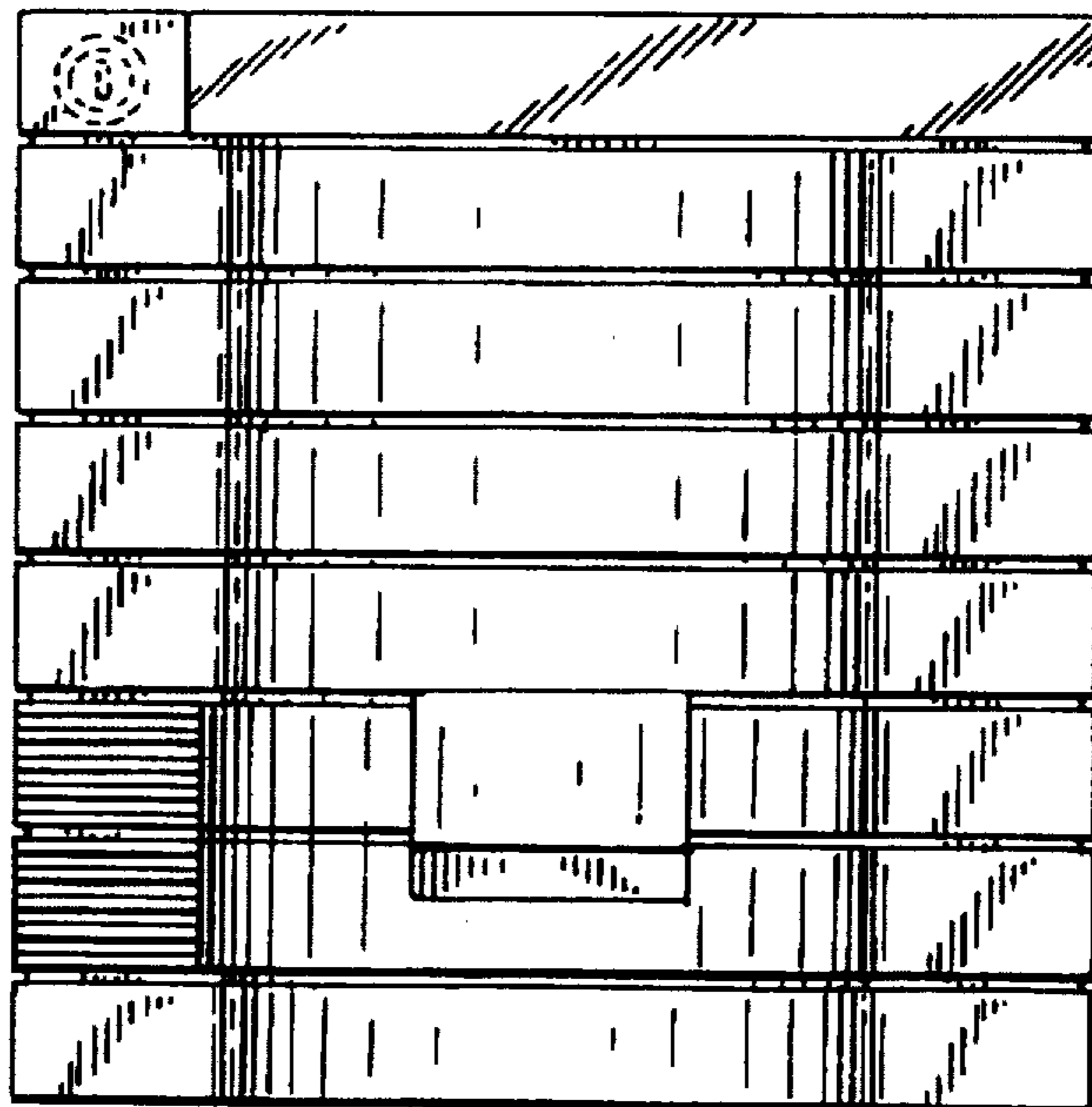


FIG. 10

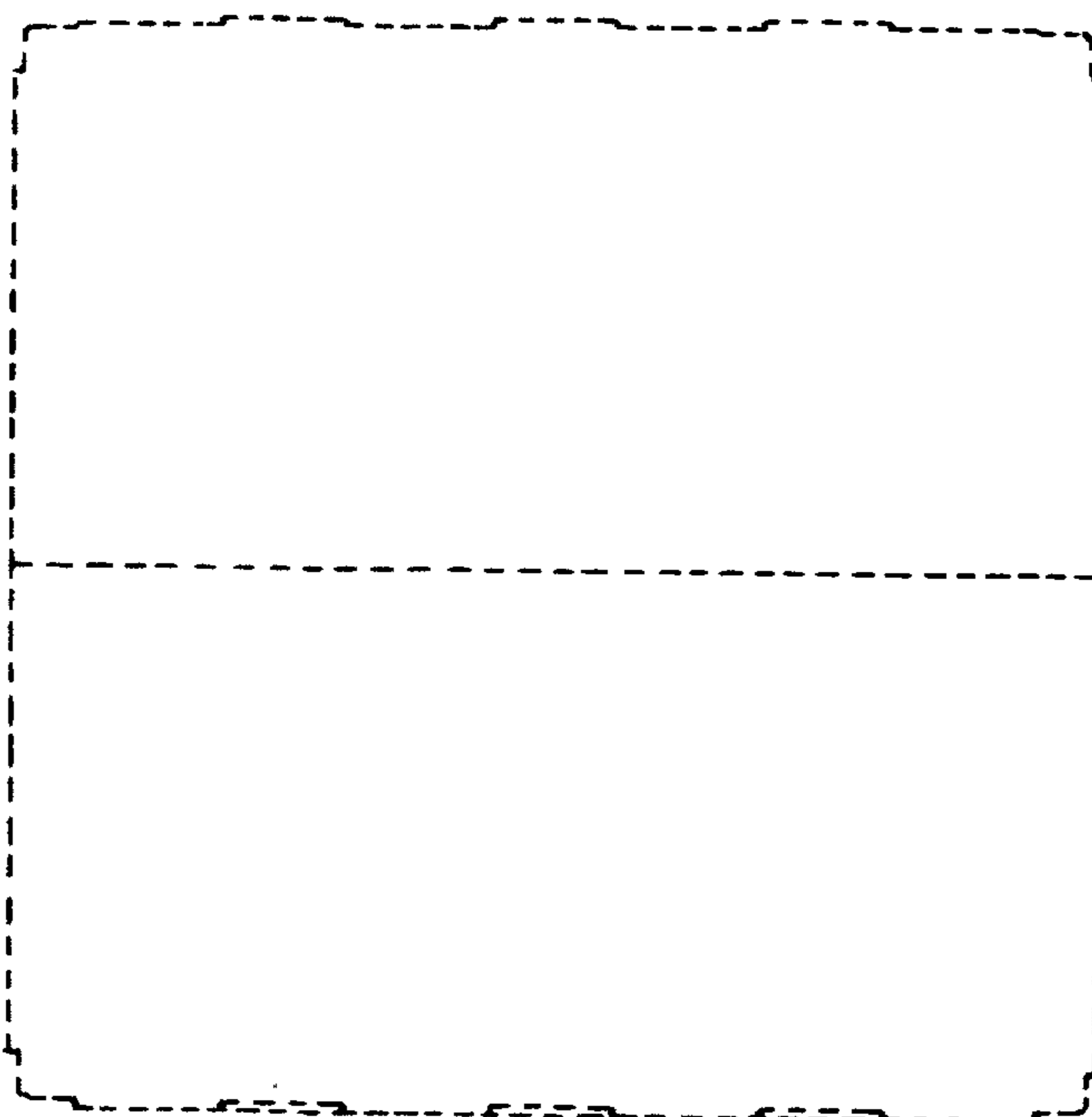


FIG. 11

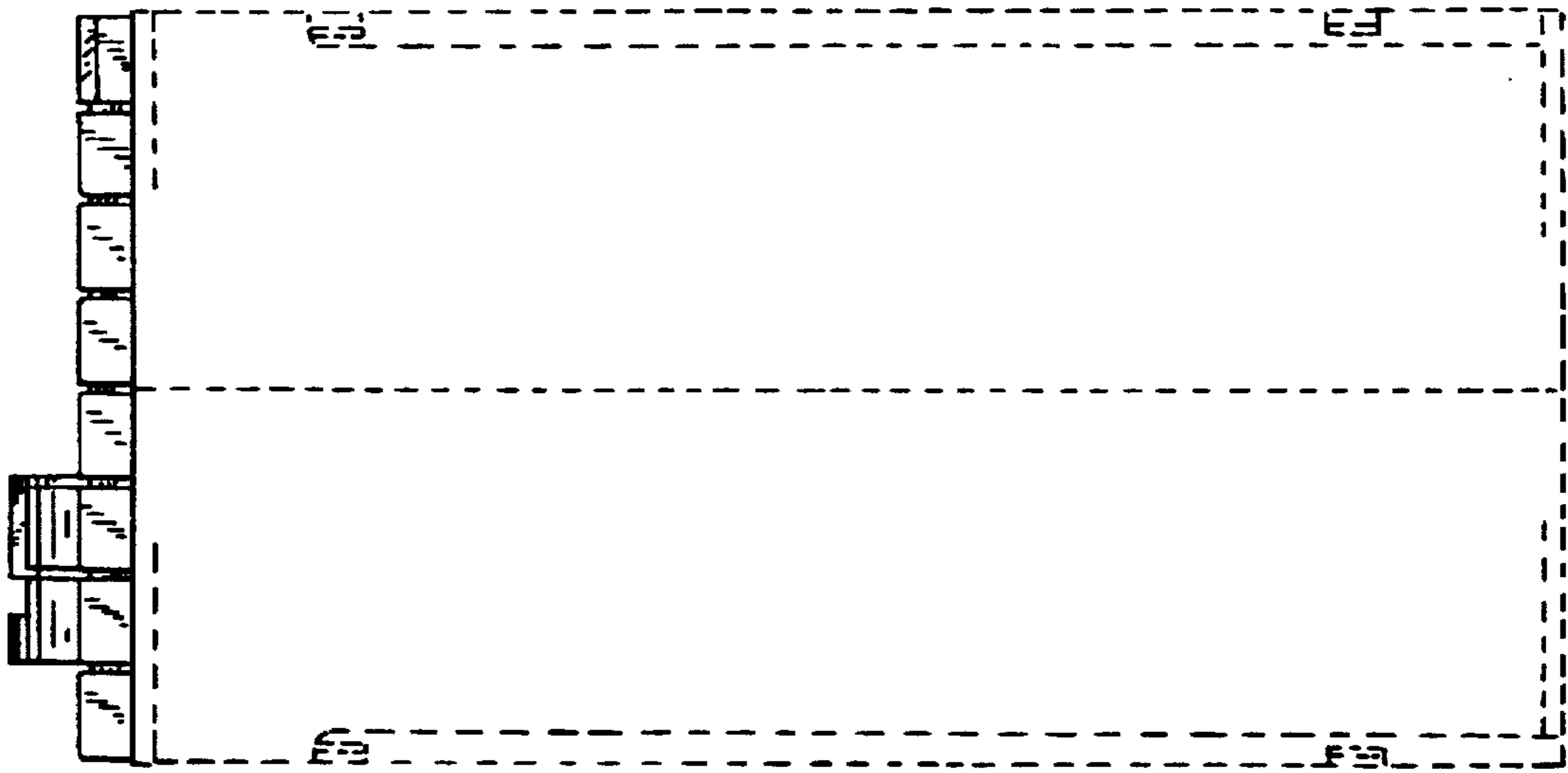


FIG. 12

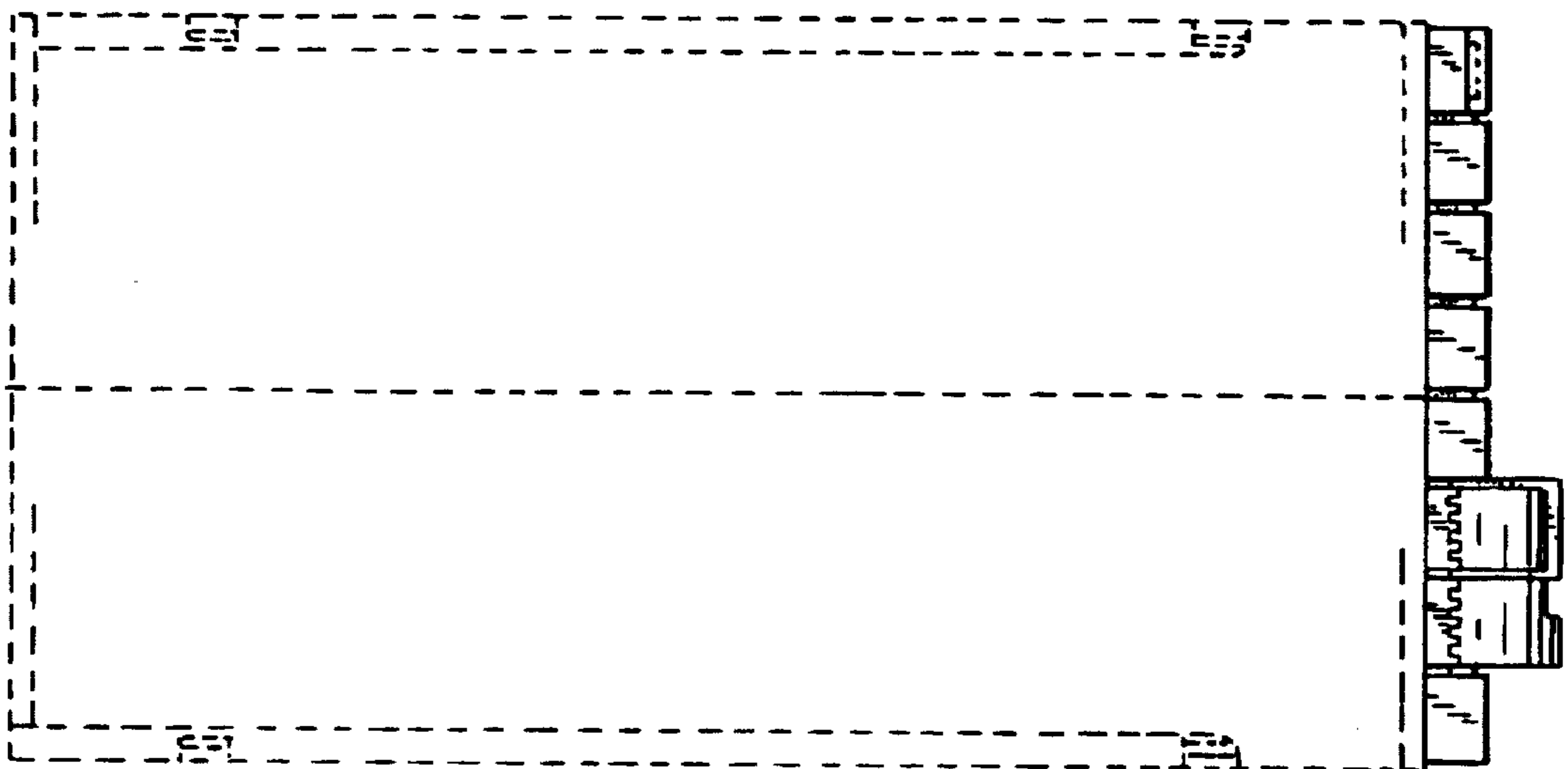




FIG. 13

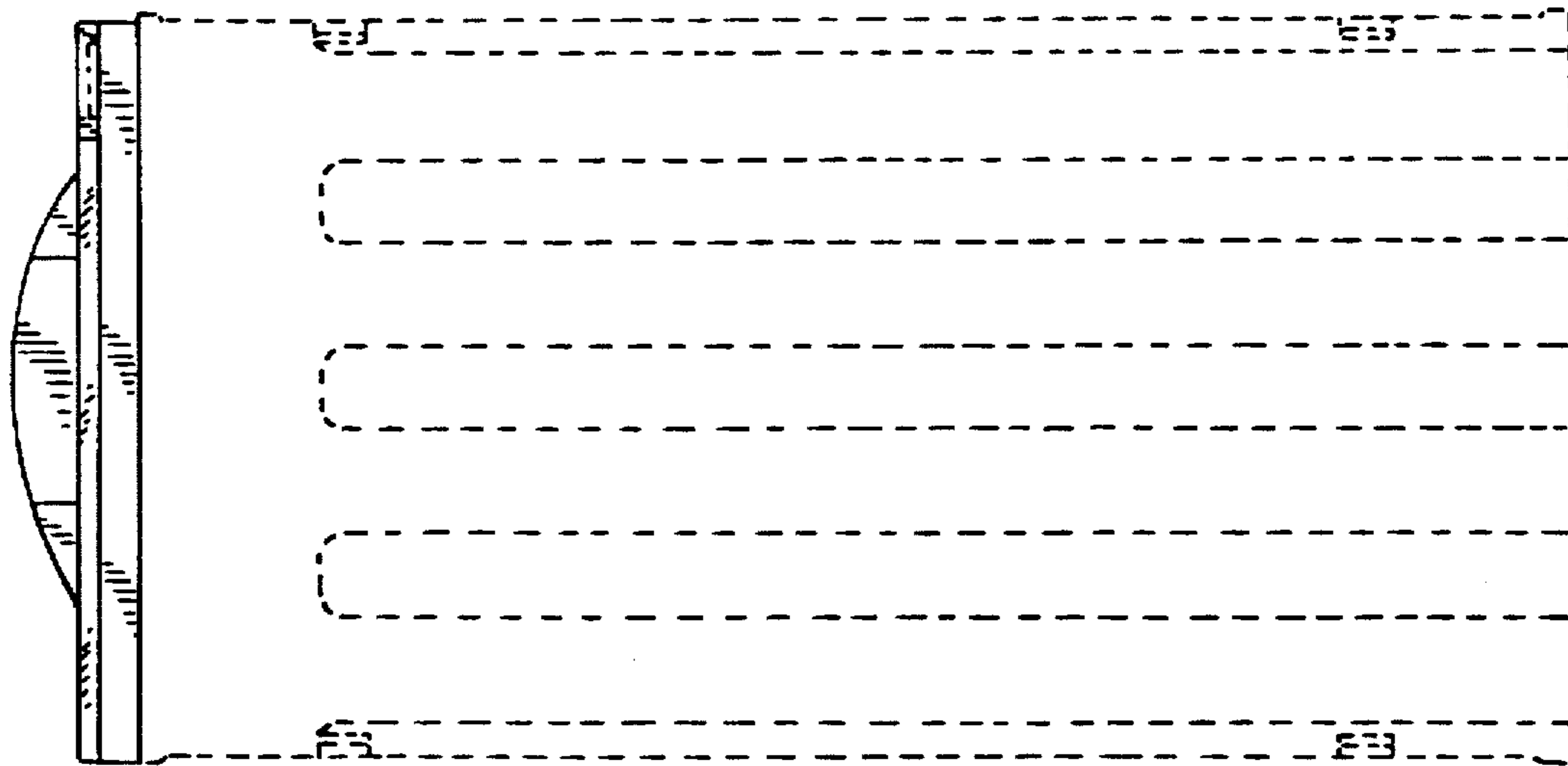


FIG. 14

