



US00D408190S

# United States Patent [19]

Helmsderfer et al.

[11] Patent Number: Des. 408,190

[45] Date of Patent: \*\*Apr. 20, 1999

## [54] PLATFORM FOR A BABY DIAPER CHANGING STATION

[75] Inventors: John A. Helmsderfer, 2151 Luray Ave., Cincinnati, Ohio 45206; David Memke, Cincinnati, Ohio

[73] Assignee: John A. Helmsderfer, Cincinnati, Ohio

[\*\*] Term: 14 Years

[21] Appl. No.: 29/085,169

[22] Filed: Mar. 17, 1998

[51] LOC (6) Cl. .... 08-08

[52] U.S. Cl. .... D6/555

[58] Field of Search ..... D6/555, 574, 553, D6/559, 567; 312/114, 126, 128-129, 204, 224, 231, 234, 242, 245; 211/13.1, 14, 34-35, 69.1, 70.6, 70.7, 90

## [56] References Cited

### U.S. PATENT DOCUMENTS

- D. 179,871 3/1957 Wrablica, Jr. .
- D. 243,048 1/1977 Touchett et al. .
- D. 243,213 2/1977 Kormos .
- D. 246,682 12/1977 Nakao .
- D. 248,805 8/1978 Bridges .
- D. 249,991 10/1978 Bridges .
- D. 250,800 1/1979 Trossman .
- D. 251,039 2/1979 Reppas .
- D. 255,734 7/1980 Liebman .
- D. 260,827 9/1981 Sommer .
- D. 263,532 3/1982 Ferdinand et al. .
- D. 265,703 8/1982 Zaro .
- D. 267,843 2/1983 Sundberg .
- D. 272,402 1/1984 Marrujo .
- D. 274,105 6/1984 Brescia et al. .
- D. 277,819 3/1985 Crosslen .
- D. 283,189 4/1986 Hampton .
- D. 284,530 7/1986 Riehm .
- D. 284,531 7/1986 Riehm .
- D. 284,723 7/1986 Morris et al. .
- D. 287,200 12/1986 Gecchelin .
- D. 287,318 12/1986 Garduno .
- D. 293,403 12/1987 Umanoff et al. .

- D. 293,404 12/1987 Murphy .
- D. 294,096 2/1988 Murphy .
- D. 295,007 4/1988 Hardy et al. .

(List continued on next page.)

Primary Examiner—Brian N. Vinson  
Attorney, Agent, or Firm—Wood, Herron & Evans, LLP

## [57] CLAIM

The ornamental design for a platform for a baby diaper changing station, as shown and described.

## DESCRIPTION

FIG. 1 is an upper perspective view of a platform for a baby diaper changing station with a platform in an opened position on a wall and incorporating the new design of the invention, shown in full lines, with the broken lines illustrating the environment of the design;

FIG. 2 is a lower perspective view thereof with the platform of the baby diaper changing station in an opened position; FIG. 3 is a front perspective view thereof with the platform of the baby diaper changing station in closed or stowed position against the wall;

FIG. 4 is a front view of the platform for a baby diaper changing station platform with the platform in the closed position;

FIG. 5 is a front view of the platform for a baby diaper changing station with the platform in the closed position; FIG. 6 is a side view of the platform for a baby diaper changing station with the platform in the opened position with the other side view being a mirror image thereof;

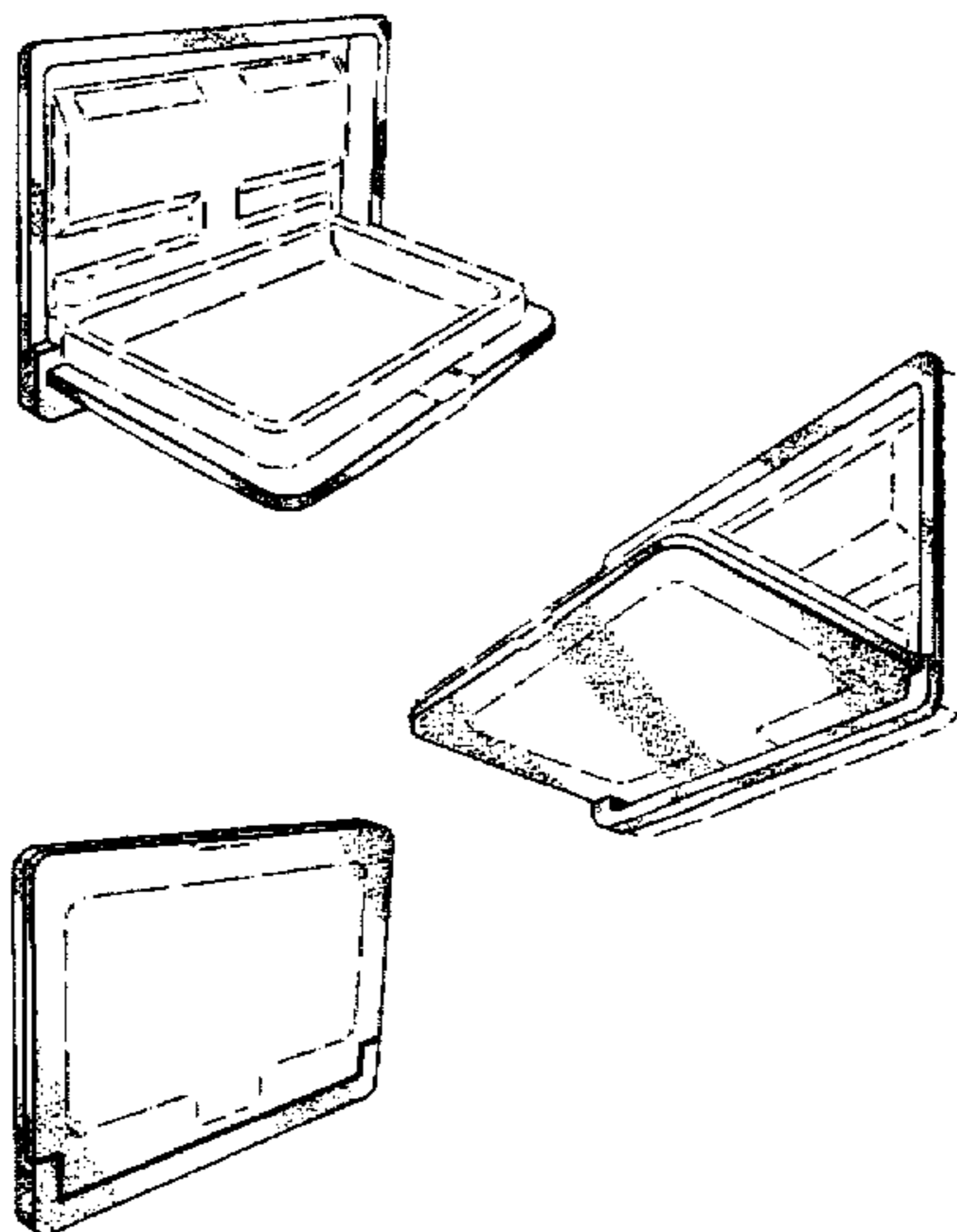
FIG. 7 is a side view of the platform for a baby diaper changing station with the platform in the closed position with the other side view being a mirror image thereof;

FIG. 8 is a top view of the platform for a baby diaper changing station with the platform in the opened position; FIG. 9 is a top view of the platform for a baby diaper changing station with the platform in the closed position;

FIG. 10 is a bottom view of the platform for a baby diaper changing station with the platform in the opened position; and,

FIG. 11 is a bottom view of the platform for a baby diaper changing station with the platform in the closed position.

1 Claim, 3 Drawing Sheets



U.S. PATENT DOCUMENTS					
			3,656,193	4/1972	Schneider et al. .
			3,693,293	9/1972	Egan, Jr. et al. .
D. 299,687	2/1989	Handler et al. .	4,074,635	2/1978	Stauble .
D. 302,088	7/1989	Burt .	4,125,192	11/1978	Daven .
D. 302,772	8/1989	Friedman .	4,133,063	1/1979	Jones-Steele .
D. 312,185	11/1990	Prater, Sr. .	4,155,609	5/1979	Skafta et al. .... 312/245
D. 313,516	1/1991	Socher .	4,205,669	6/1980	Hamann .
D. 314,112	1/1991	Dainty ..... D6/555	4,216,951	8/1980	Griffin .
D. 314,486	2/1991	Day .	4,522,381	6/1985	Ludwick .
D. 318,307	7/1991	Hahn et al. .	4,527,830	7/1985	Meyers .
D. 322,531	12/1991	Hobson .	4,633,789	1/1987	Kortering et al. .
D. 325,309	4/1992	Worrell .	4,648,766	3/1987	Wollar .
D. 325,826	5/1992	Brunner et al. .	4,712,258	12/1987	Eves .
D. 326,384	5/1992	Burt et al. .... D6/555	4,723,493	2/1988	Slani et al. .
D. 327,786	7/1992	Ferrell .	4,788,726	12/1988	Rafalko .
D. 329,950	10/1992	Takahashi et al. .	4,796,314	1/1989	Garduno .
D. 332,197	1/1993	Chase ..... D6/555	4,953,312	9/1990	Astolfi .
D. 333,389	2/1993	Saito et al. .	4,965,896	10/1990	Berger et al. .
D. 333,923	3/1993	Dainty .	4,972,532	11/1990	Juan .
D. 334,486	4/1993	Paradis et al. .	4,978,093	12/1990	Kennedy .
D. 336,192	6/1993	Wedeking .	5,072,979	12/1991	Swinton .
D. 338,110	8/1993	Peay .	5,081,724	1/1992	Takahashi et al. .
D. 378,966	4/1997	Helmsderfer .	5,084,927	2/1992	Parkevich .
D. 382,432	8/1997	Perelli ..... D6/555	5,161,270	11/1992	Najmabadi .
D. 391,794	3/1998	Helmsderfer .	5,265,296	11/1993	Abbas et al. .
D. 397,893	9/1998	Helmsderfer ..... D6/555	5,754,999	5/1998	Helmsderfer .
2,174,363	9/1939	Eubank .			
2,735,737	2/1956	Hancock .			

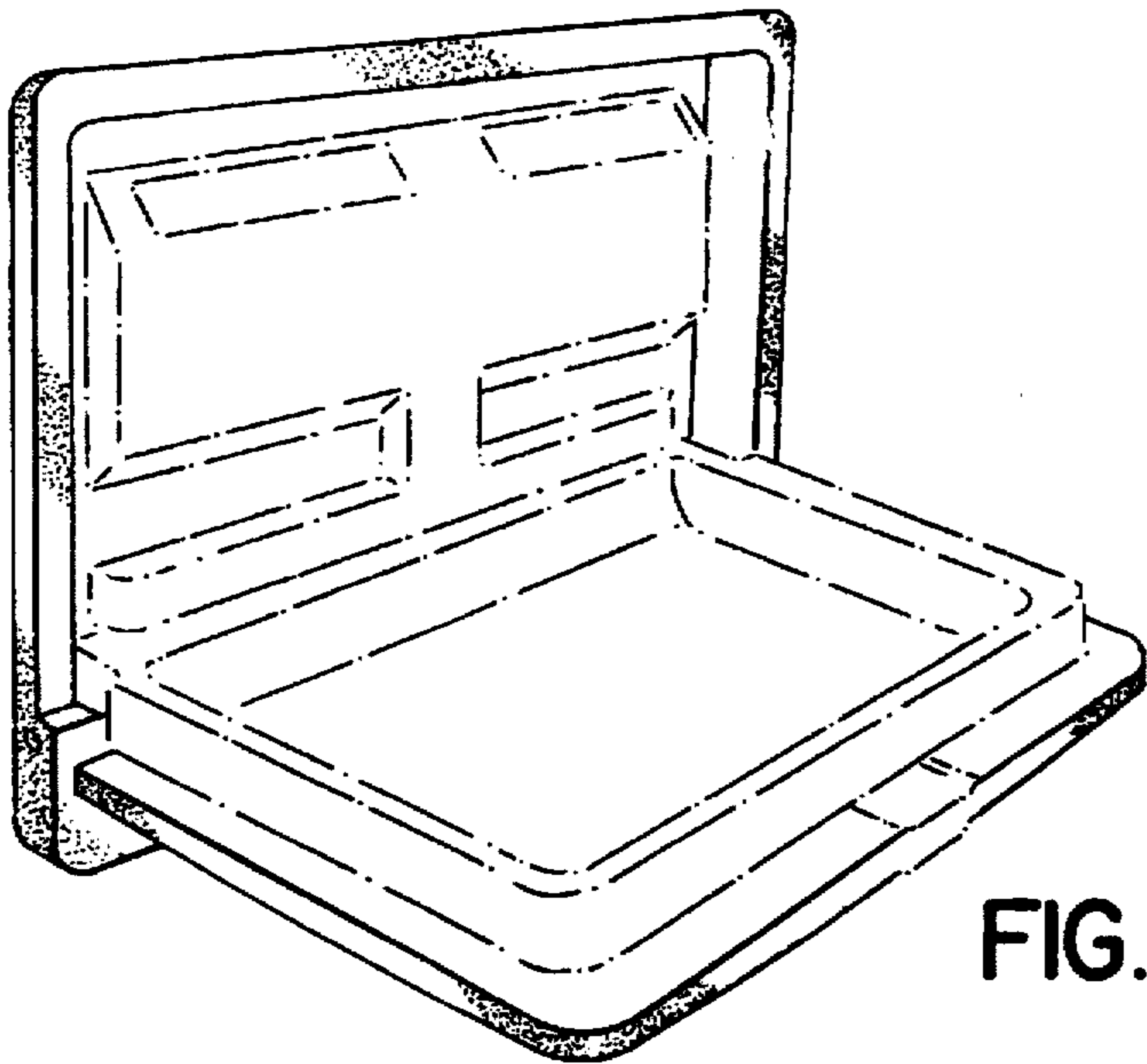


FIG.1

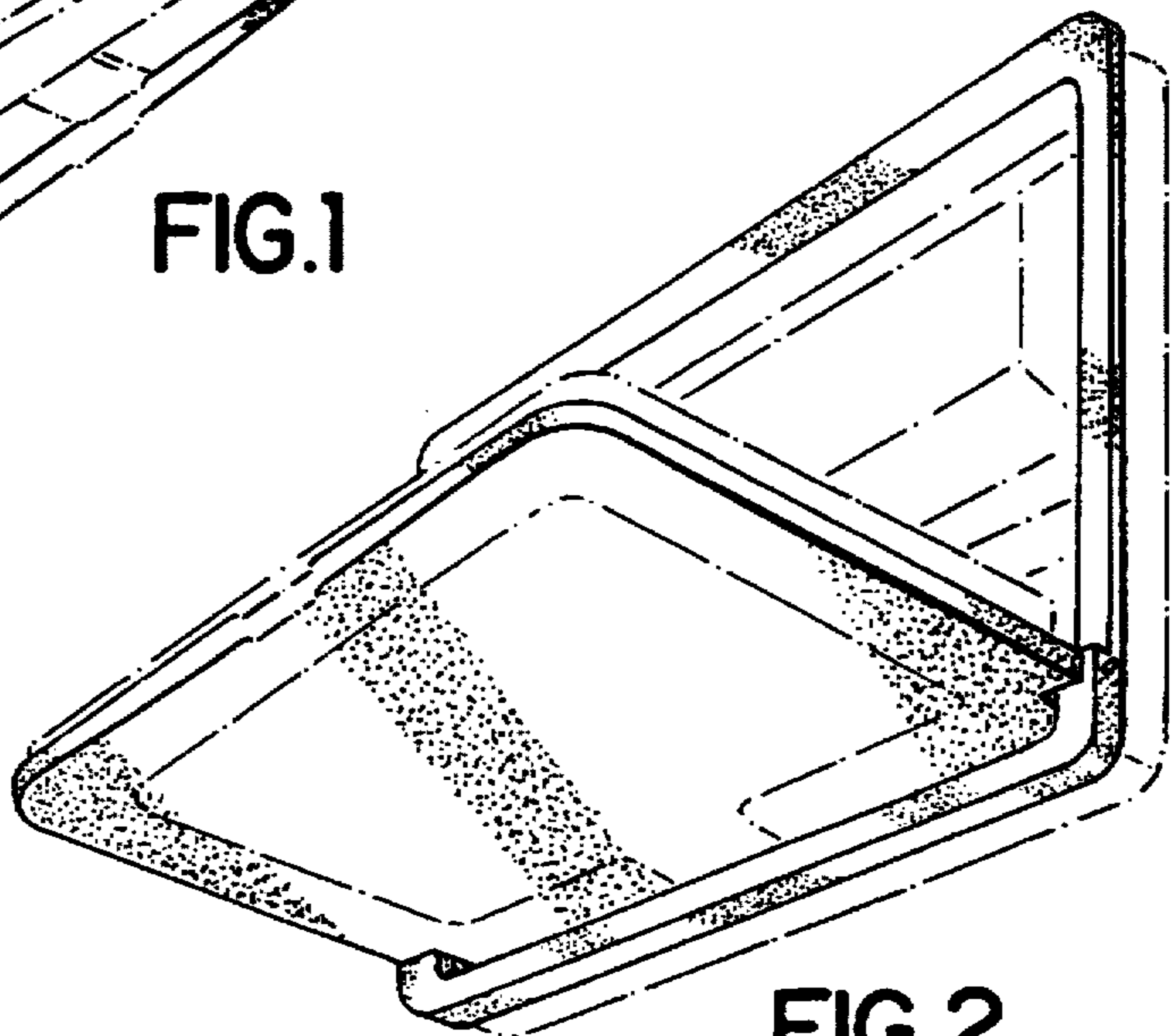


FIG.2

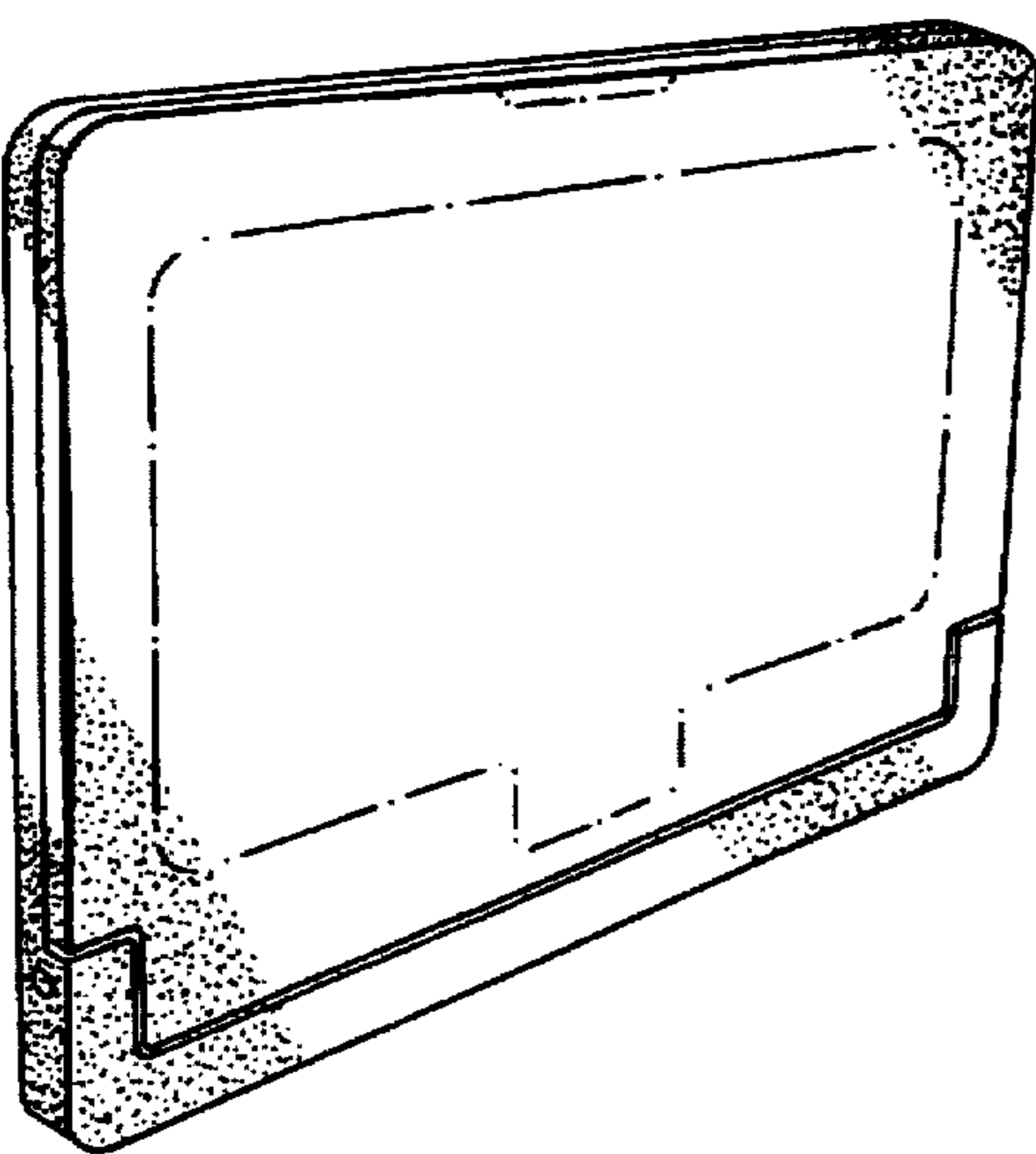


FIG.3

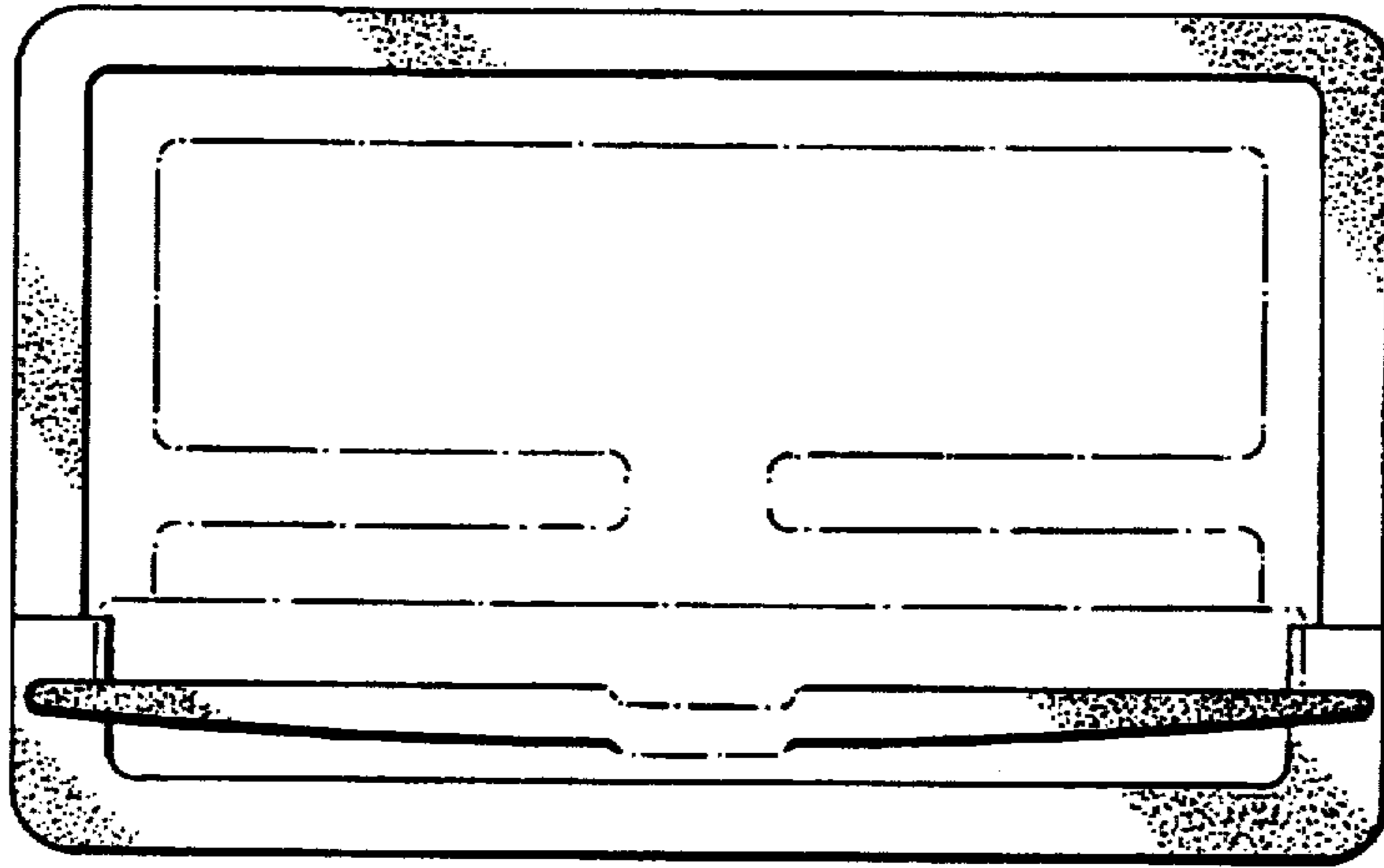


FIG. 4

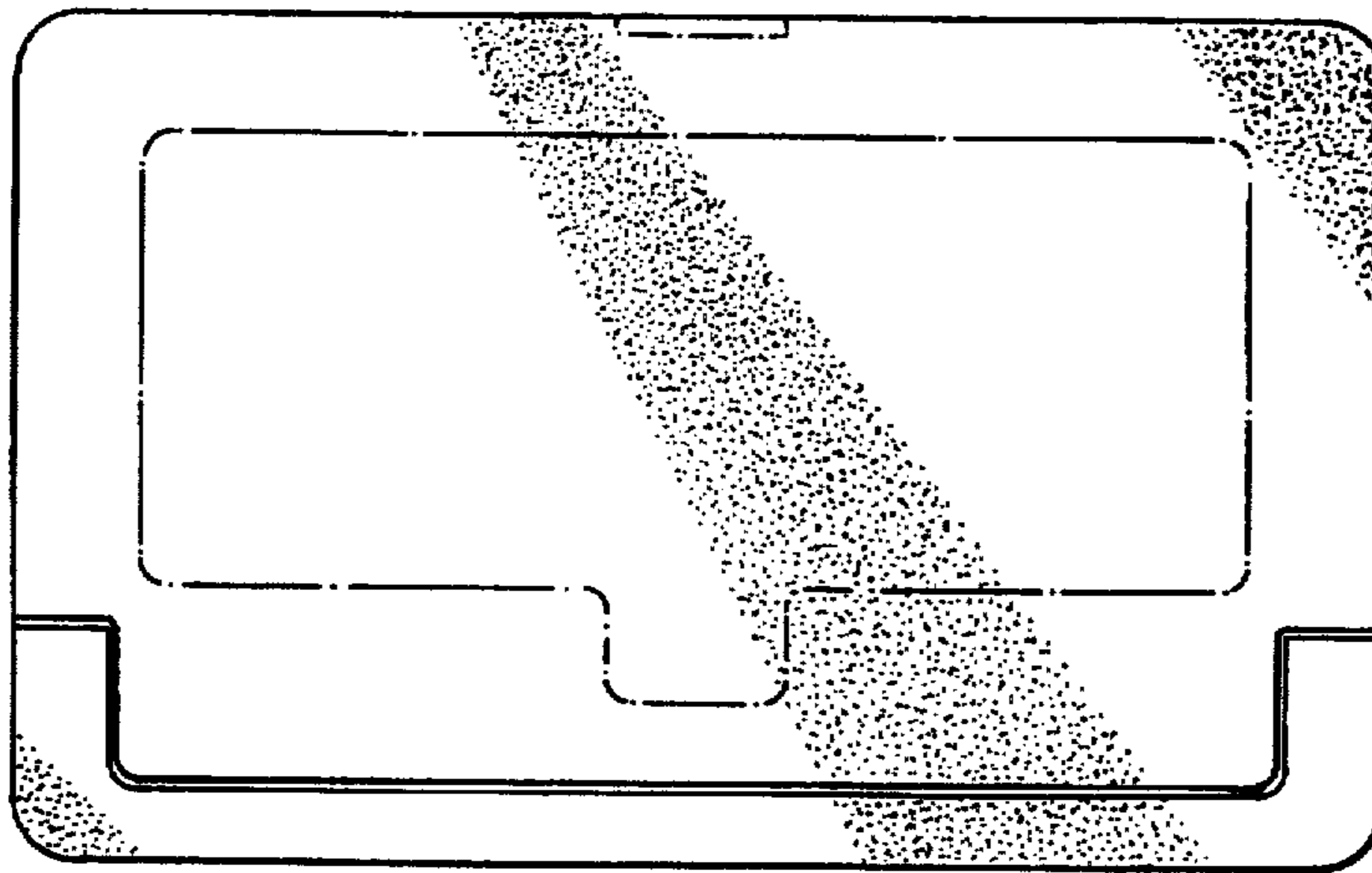


FIG. 5

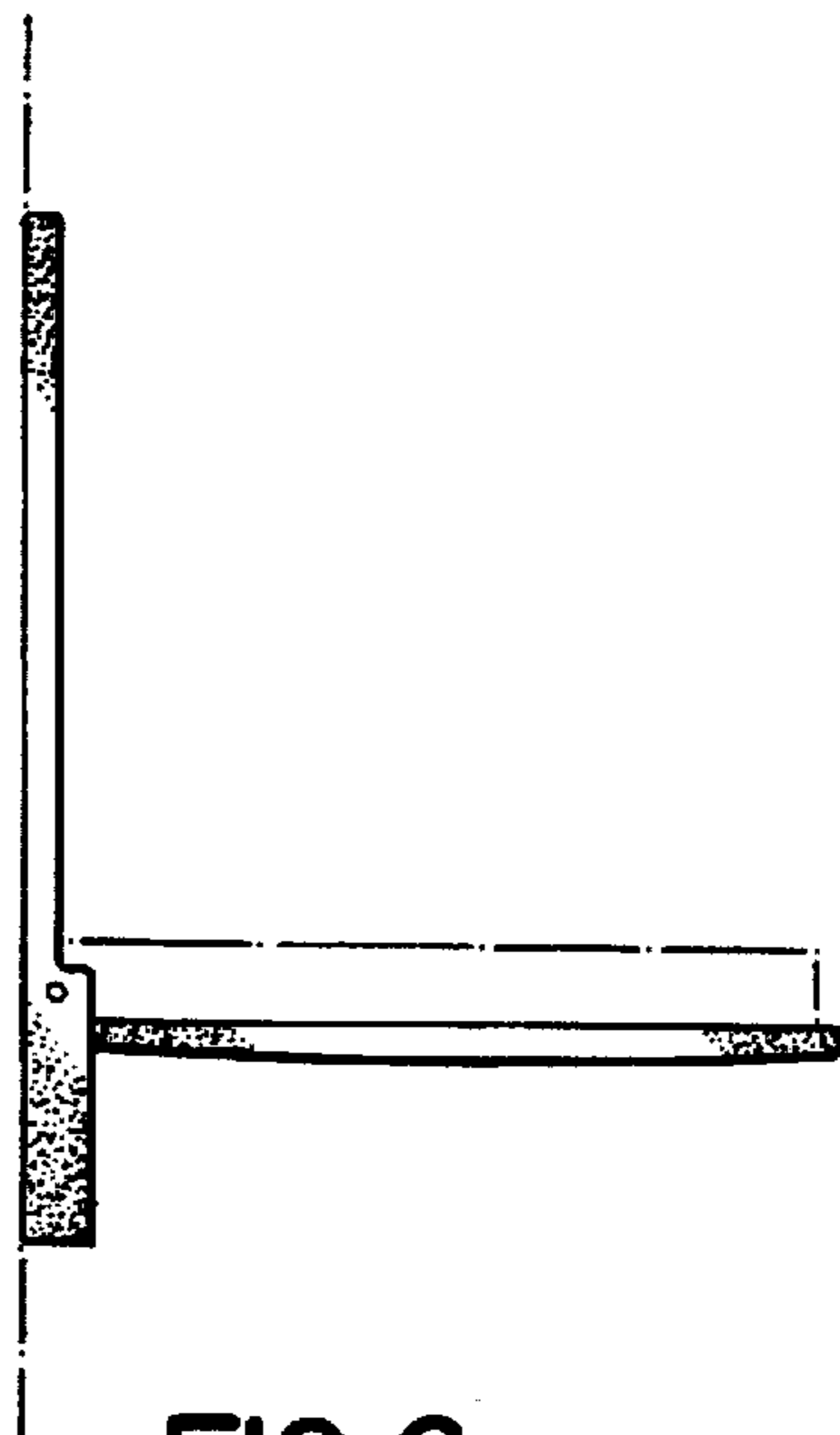


FIG. 6



FIG. 7

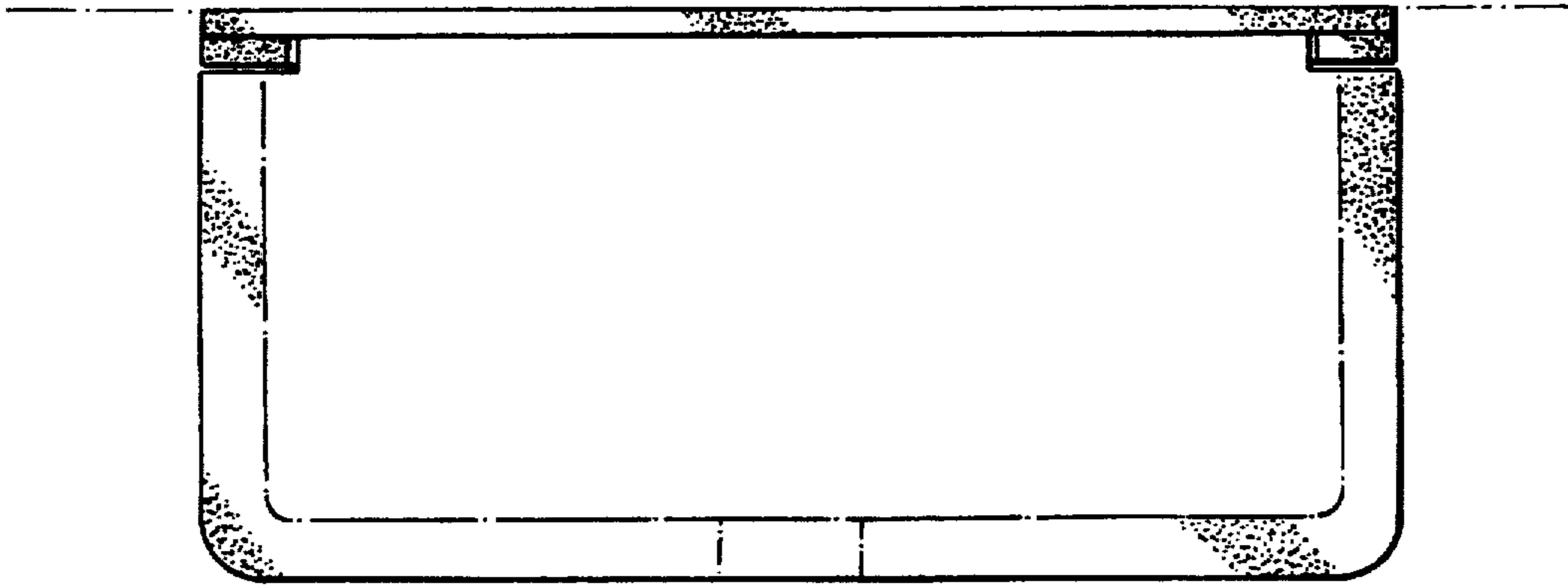


FIG. 8

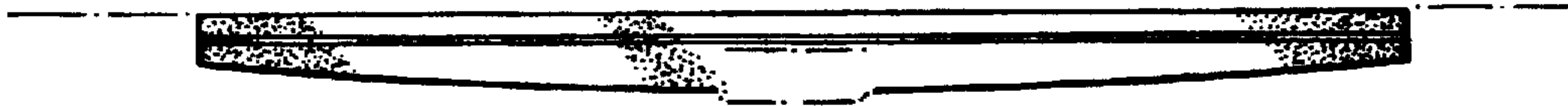


FIG. 9

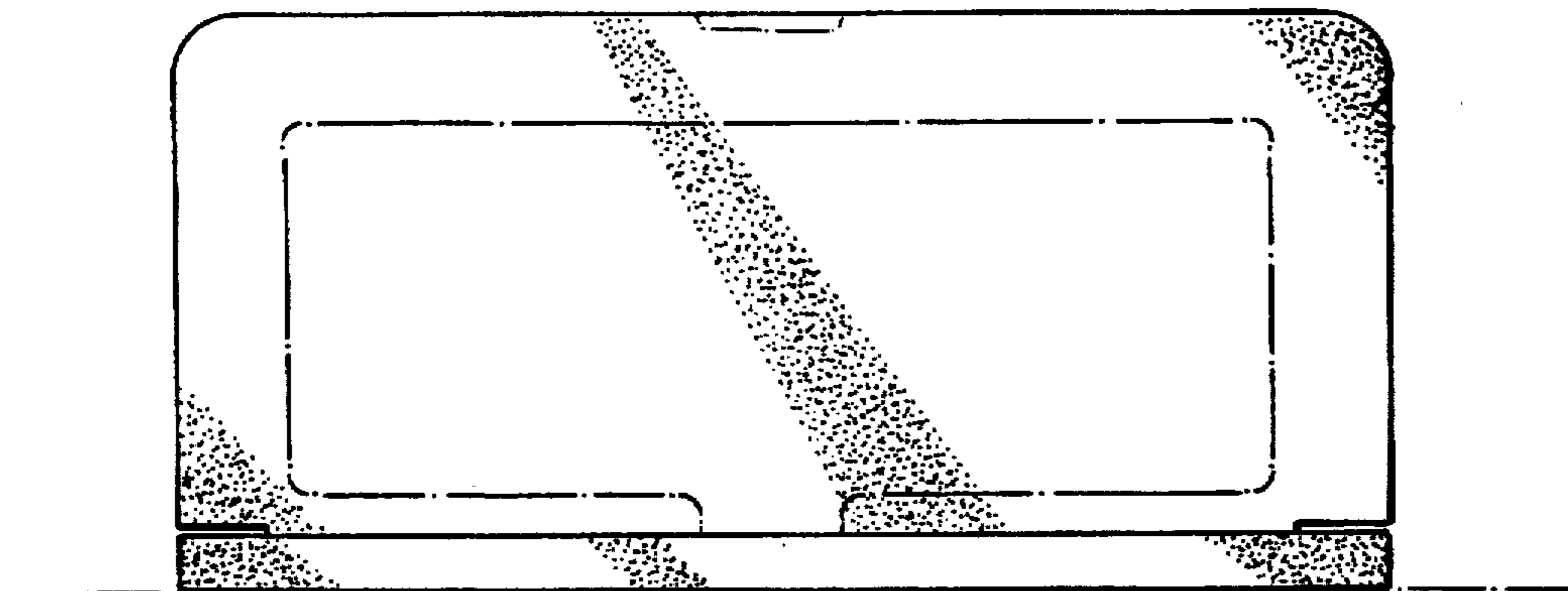


FIG. 10



FIG. 11