



US00D408185S

United States Patent [19]
Hofman

[11] **Patent Number: Des. 408,185**
[45] **Date of Patent: **Apr. 20, 1999**

- [54] **CORNER BATH SHELF**
- [75] **Inventor: James A. Hofman, Hockessin, Del.**
- [73] **Assignee: Zenith Products Corp., New Castle, Del.**
- [**] **Term: 14 Years**
- [21] **Appl. No.: 29/086,295**
- [22] **Filed: Apr. 9, 1998**
- [51] **LOC (6) CL 07-07**
- [52] **U.S. Cl. D6/562; D6/566; D6/525**
- [58] **Field of Search D6/524, 525, 562, D6/566; 211/13.1, 71, 86-88, 90, 106, 126, 134, 181.1**

- D. 379,412 5/1997 Hampshire D6/574
- D. 382,751 8/1997 Andrus D6/525
- 4,143,845 3/1979 Harris D6/566 X
- 5,014,860 5/1991 Emery 211/106

Primary Examiner—Brian N. Vinson
Attorney, Agent, or Firm—Edgar A. Zarins; Leon E. Redman

[57] **CLAIM**

The ornamental design for a corner bath shelf, as shown and described.

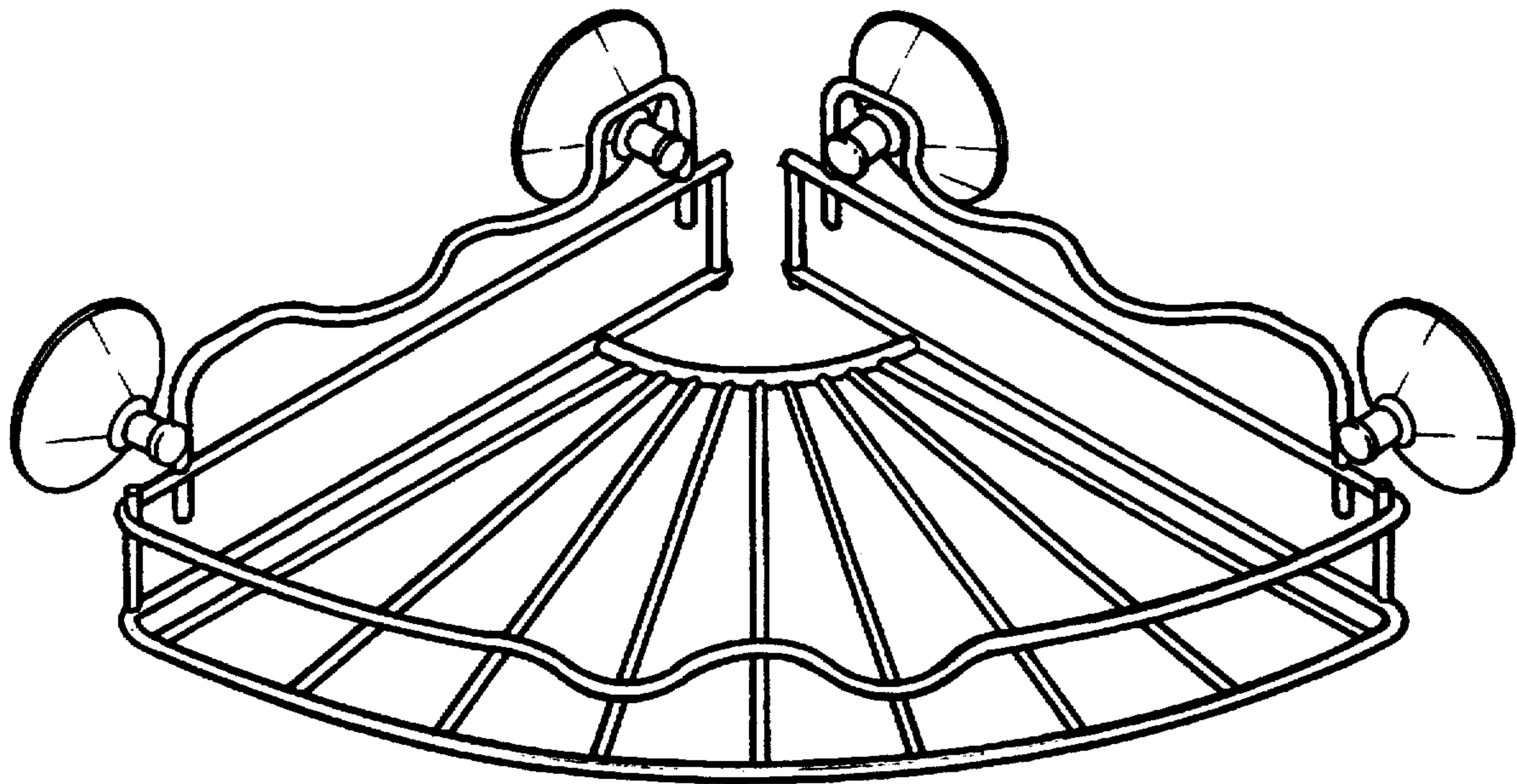
DESCRIPTION

FIG. 1 is a perspective view of a corner bath shelf showing my new design;
FIG. 2 is a top plan view thereof;
FIG. 3 is a side elevational view thereof;
FIG. 4 is a rear elevational view thereof; and,
FIG. 5 is a bottom plan view thereof.

[56] **References Cited**
U.S. PATENT DOCUMENTS

- D. 323,439 1/1992 Emery D6/562
- D. 351,751 10/1994 Brightbill et al. D6/525

1 Claim, 2 Drawing Sheets



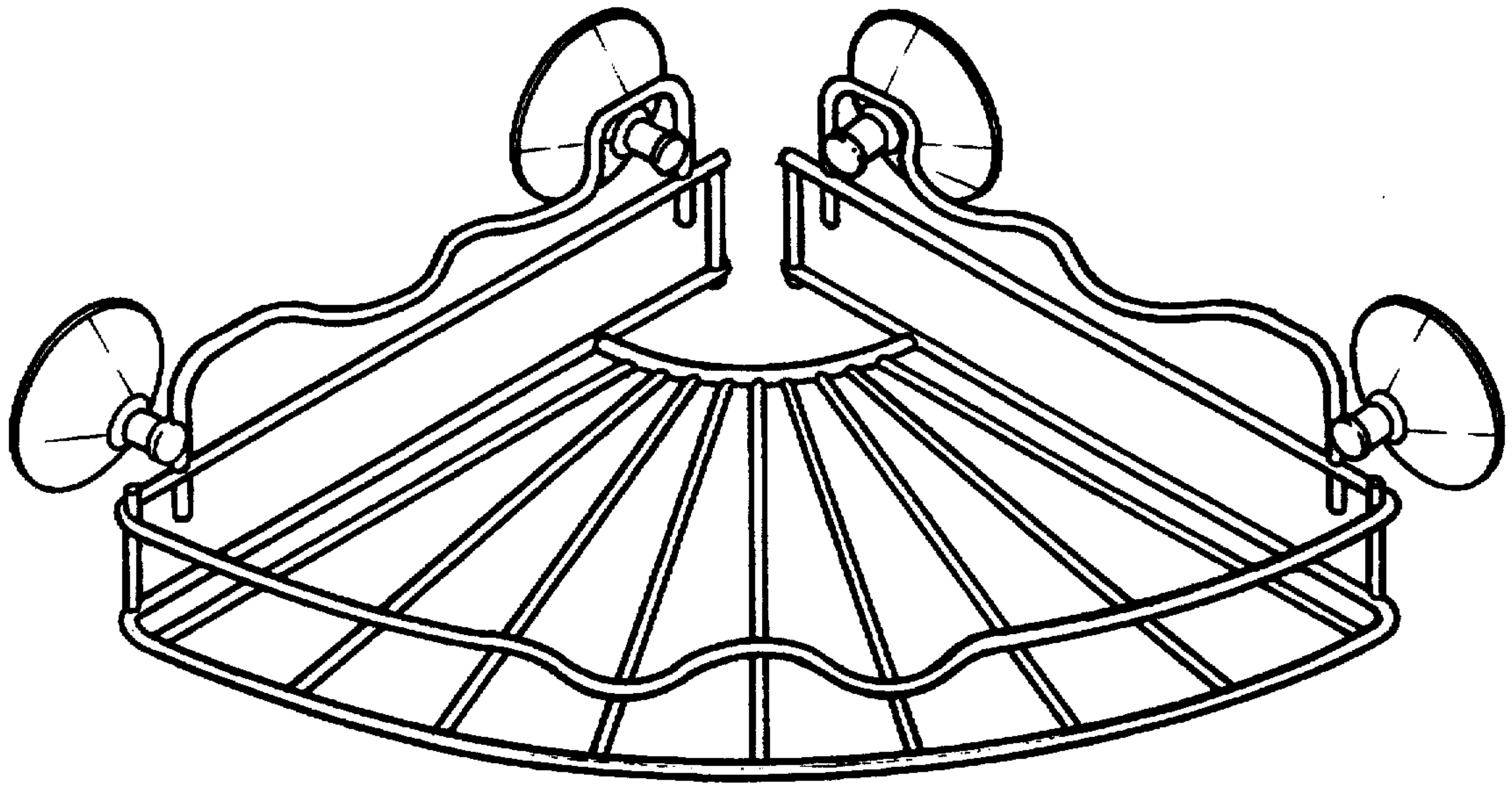


Fig-1

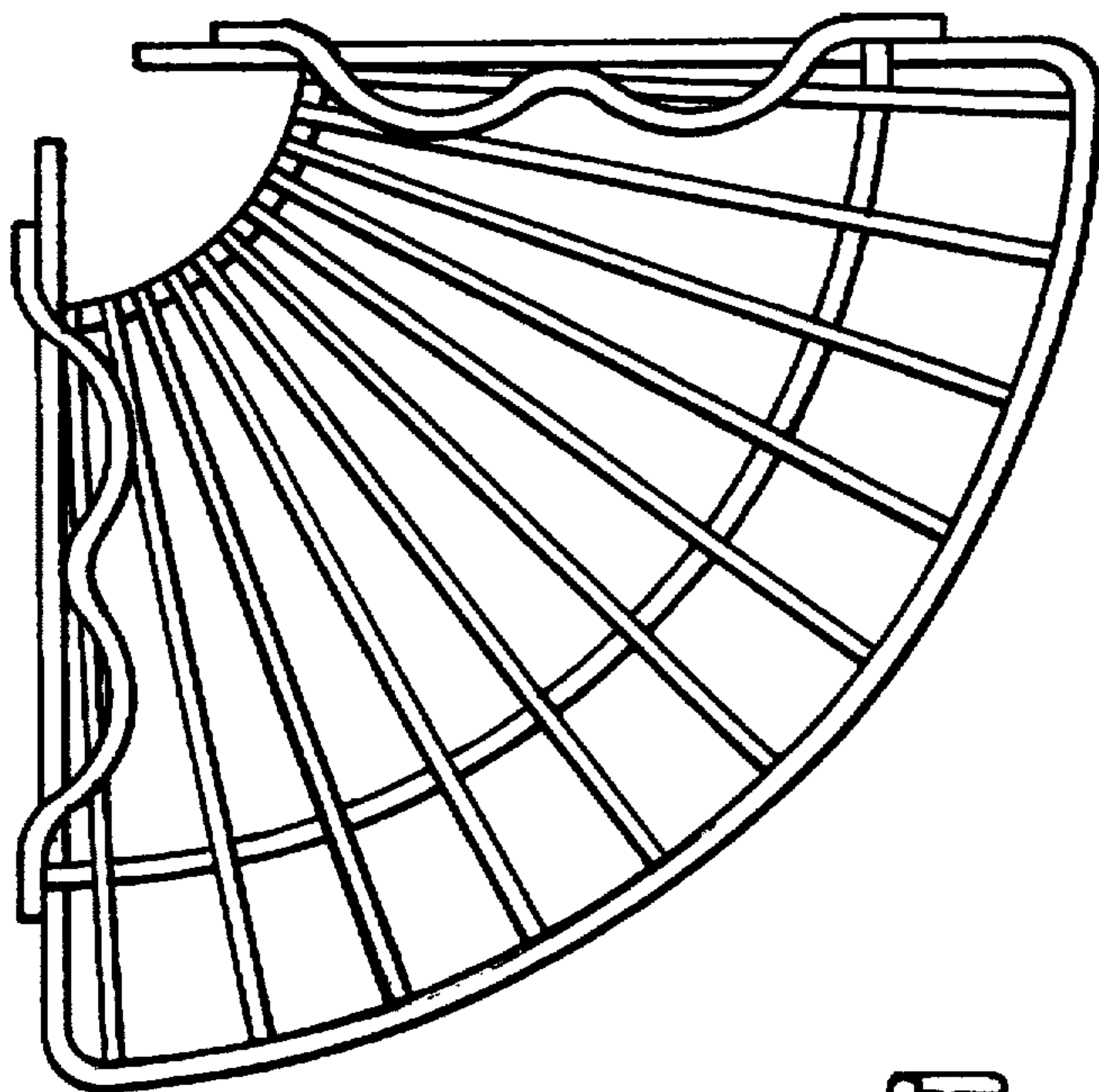


Fig-2

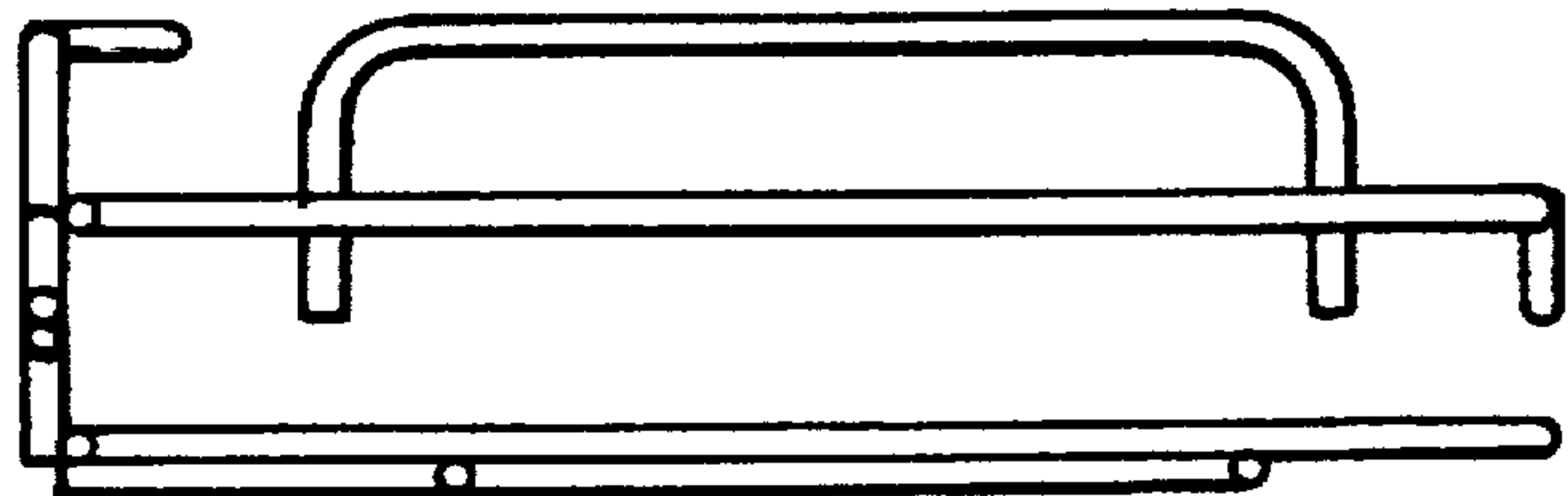


Fig-3

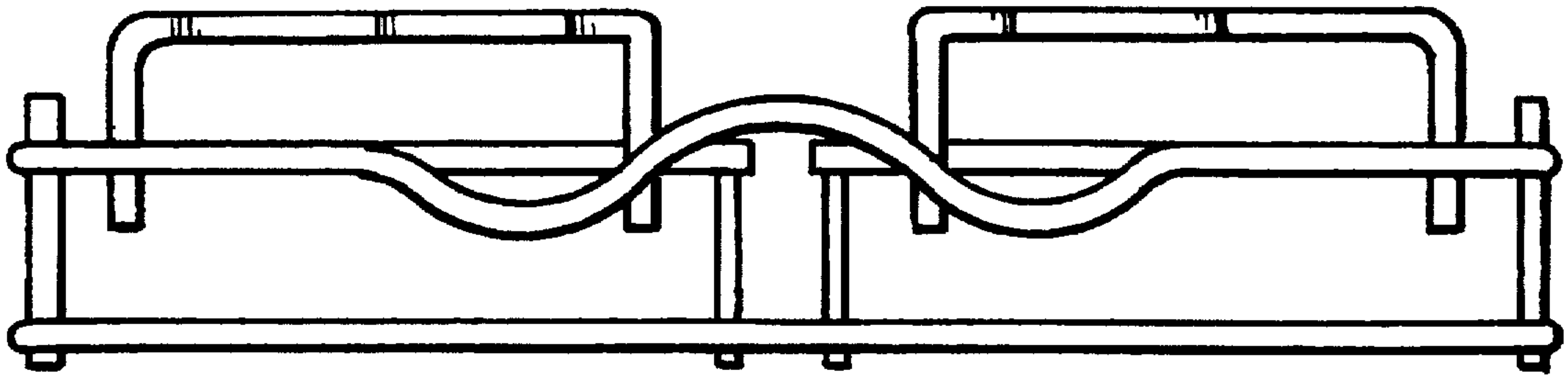


Fig-4

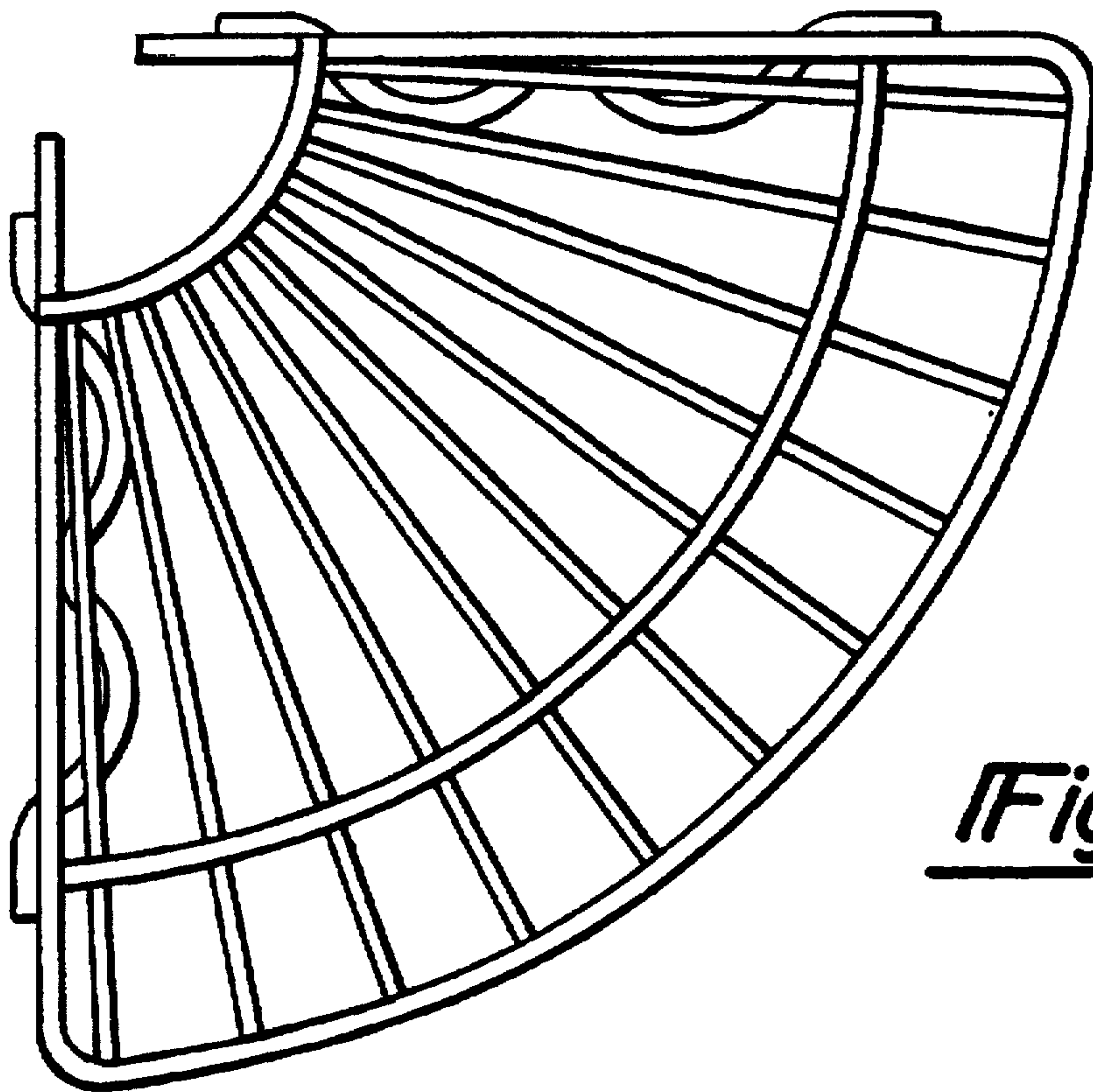


Fig-5