



US00D408181S

United States Patent [19] Ginat

[11] Patent Number: **Des. 408,181**
[45] Date of Patent: ****Apr. 20, 1999**

[54] CHAIR

- [75] Inventor: **Jonathan Ginat**, New York, N.Y.
- [73] Assignee: **Global Upholstery Company**,
Downsville, Canada
- [**] Term: **14 Years**
- [21] Appl. No.: **29/085,952**
- [22] Filed: **Apr. 2, 1998**
- [51] LOC (6) Cl. **06-06**
- [52] U.S. Cl. **D6/500; D6/366**
- [58] Field of Search D6/366-368, 500-502,
D6/495-498; 297/411.2, 411.4, 411.44,
411.36, 450.1, 452.11, 452.21, 452.29,
463.1, 230.1, 230.12, 284.1, 284.4

[56] References Cited

U.S. PATENT DOCUMENTS

D. 259,000	4/1981	Vogtherr	D6/366
D. 276,481	11/1984	Helmholdt	D6/366
D. 326,961	6/1992	Hannah et al.	D6/366
D. 358,064	5/1995	Larkin	D6/366
D. 372,595	8/1996	Schultz et al.	D6/366
D. 393,157	4/1998	Goodworth	D6/366
D. 395,761	7/1998	Saul	D6/366
D. 397,557	9/1998	Feldberg	D6/366
D. 398,464	9/1998	Cronk	D6/500
D. 399,664	10/1998	Goodworth et al.	D6/366
D. 401,771	12/1998	Goodworth	D6/366

OTHER PUBLICATIONS

National Business Catalog, p. 45, Chair at bottom right, Oct. 1996.
 Steelcase catalog, p. 78, 3rd and 5th Chair from left along bottom, (c) 1992.
 Modern Office Catalog, p. 58, item D, Aug. 1993.

Primary Examiner—Jeffrey Asch
Attorney, Agent, or Firm—Hazel & Thomas, P.C.

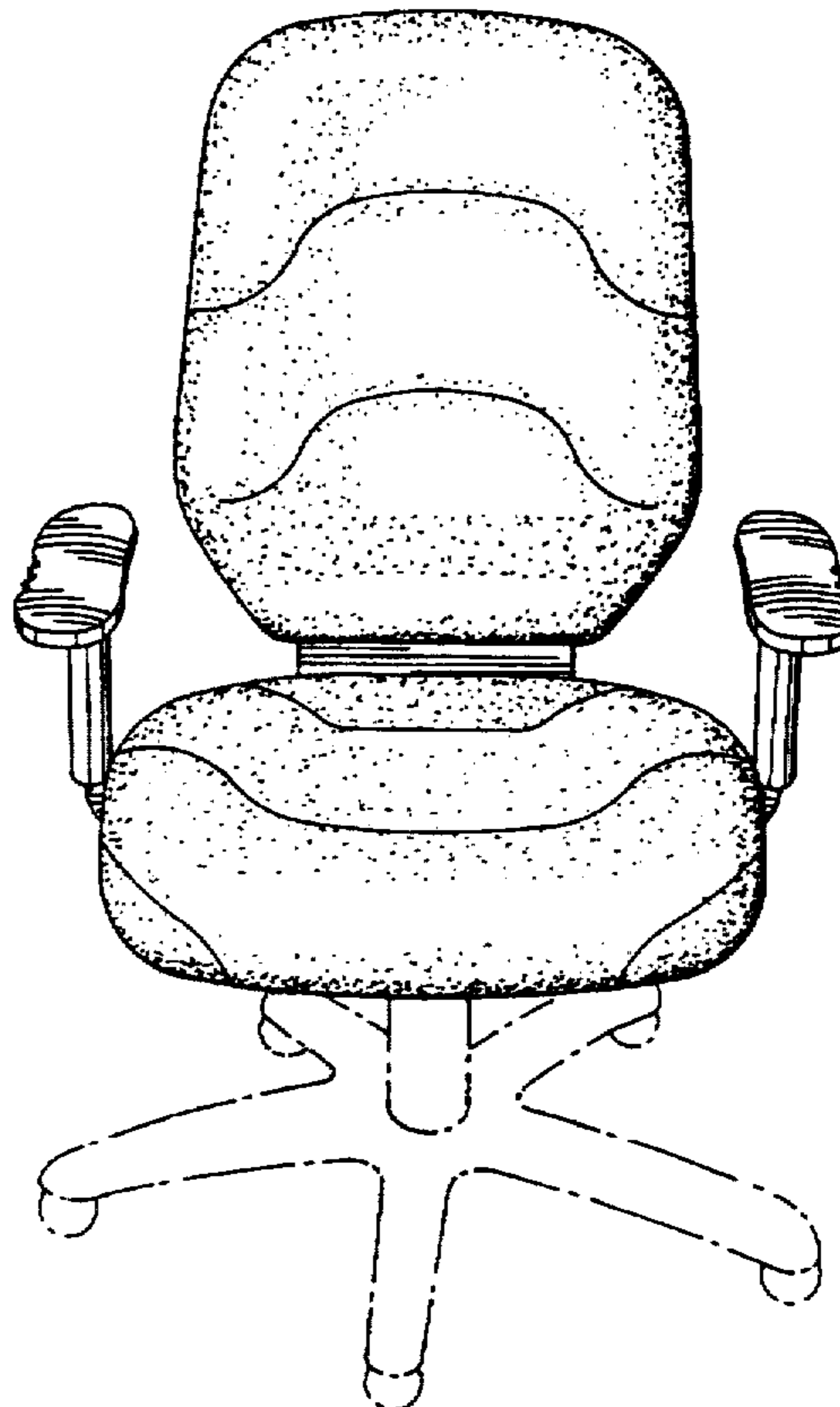
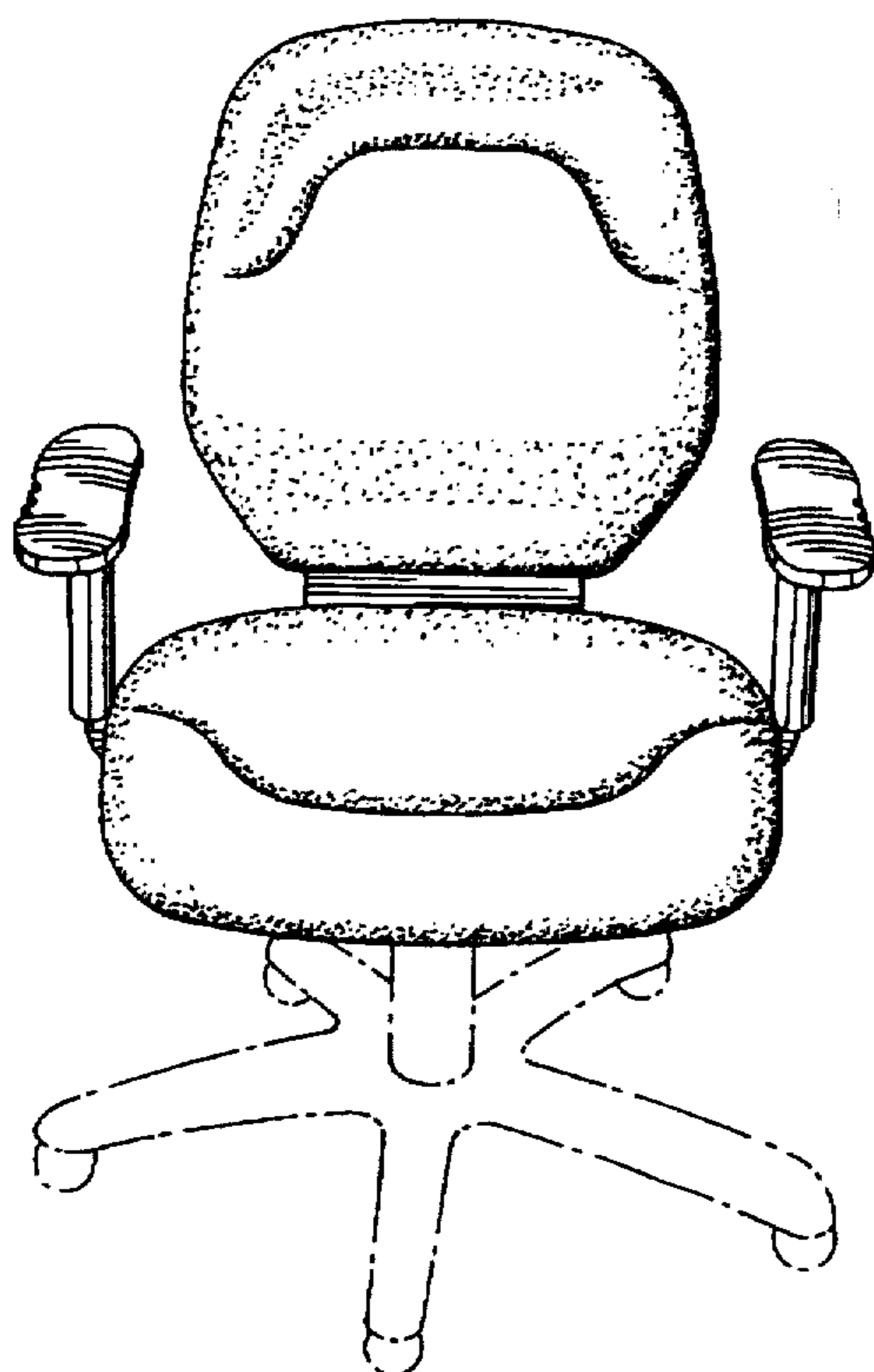
[57] CLAIM

The ornamental design for a chair, as shown and described.

DESCRIPTION

FIG. 1 is a front view of the chair.
 FIG. 2 is a side view of the chair of FIG. 1, the other side of the chair being the mirror image of this view.
 FIG. 3 is a top plan view of the chair of FIG. 1.
 FIG. 4 is a rear view of the chair of FIG. 1.
 FIG. 5 is a front view of a second embodiment of the chair shown in FIG. 1.
 FIG. 6 is a side view of the chair of FIG. 5, the other side of the chair being the mirror image of this view.
 FIG. 7 is a top plan view of the chair of FIG. 5; and,
 FIG. 8 is a rear view of the chair of FIG. 5.
 The portions of the chair shown in broken lines have been shown for illustration purposes only and do not form part of the design.

1 Claim, 4 Drawing Sheets



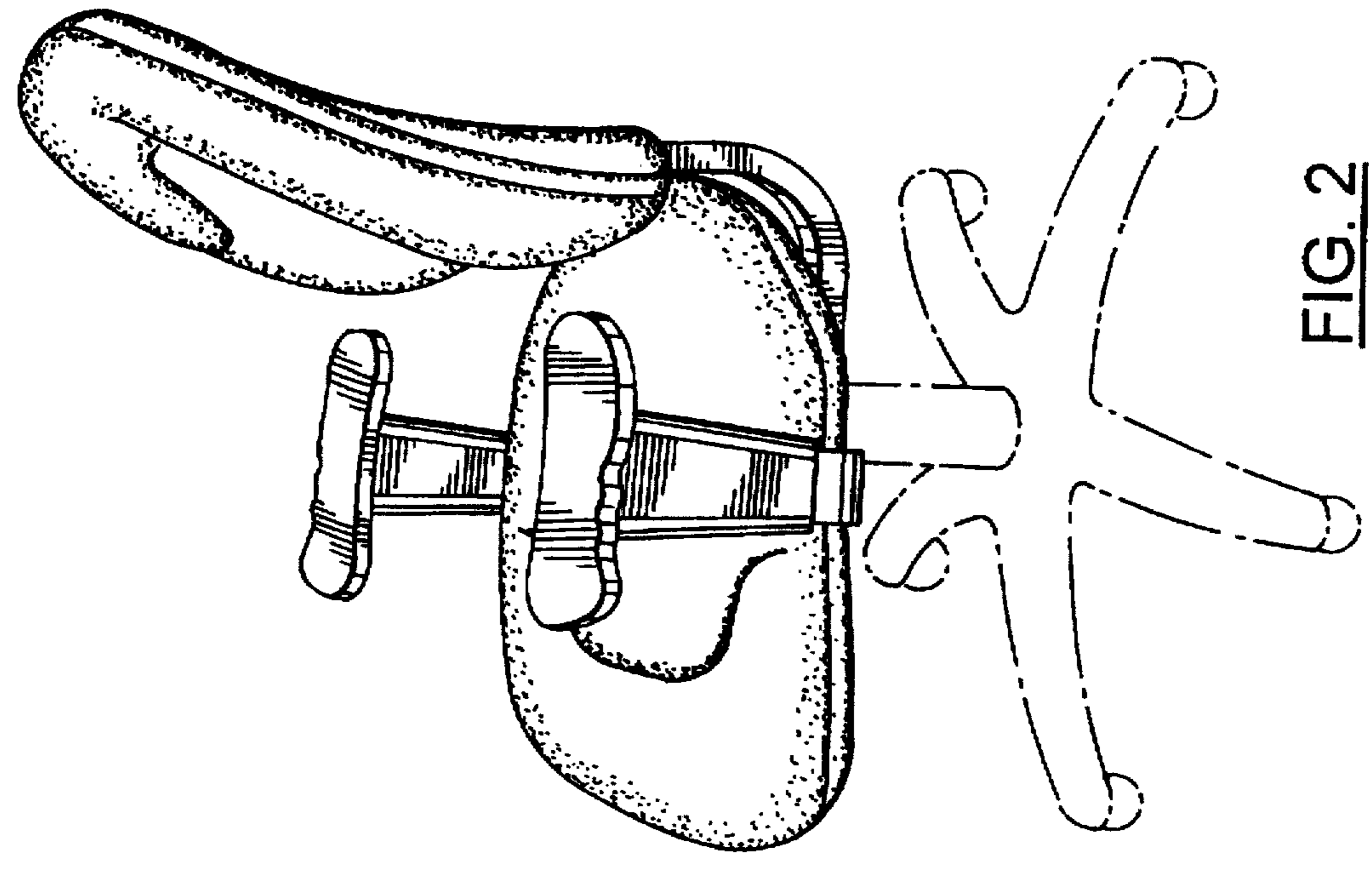


FIG. 2

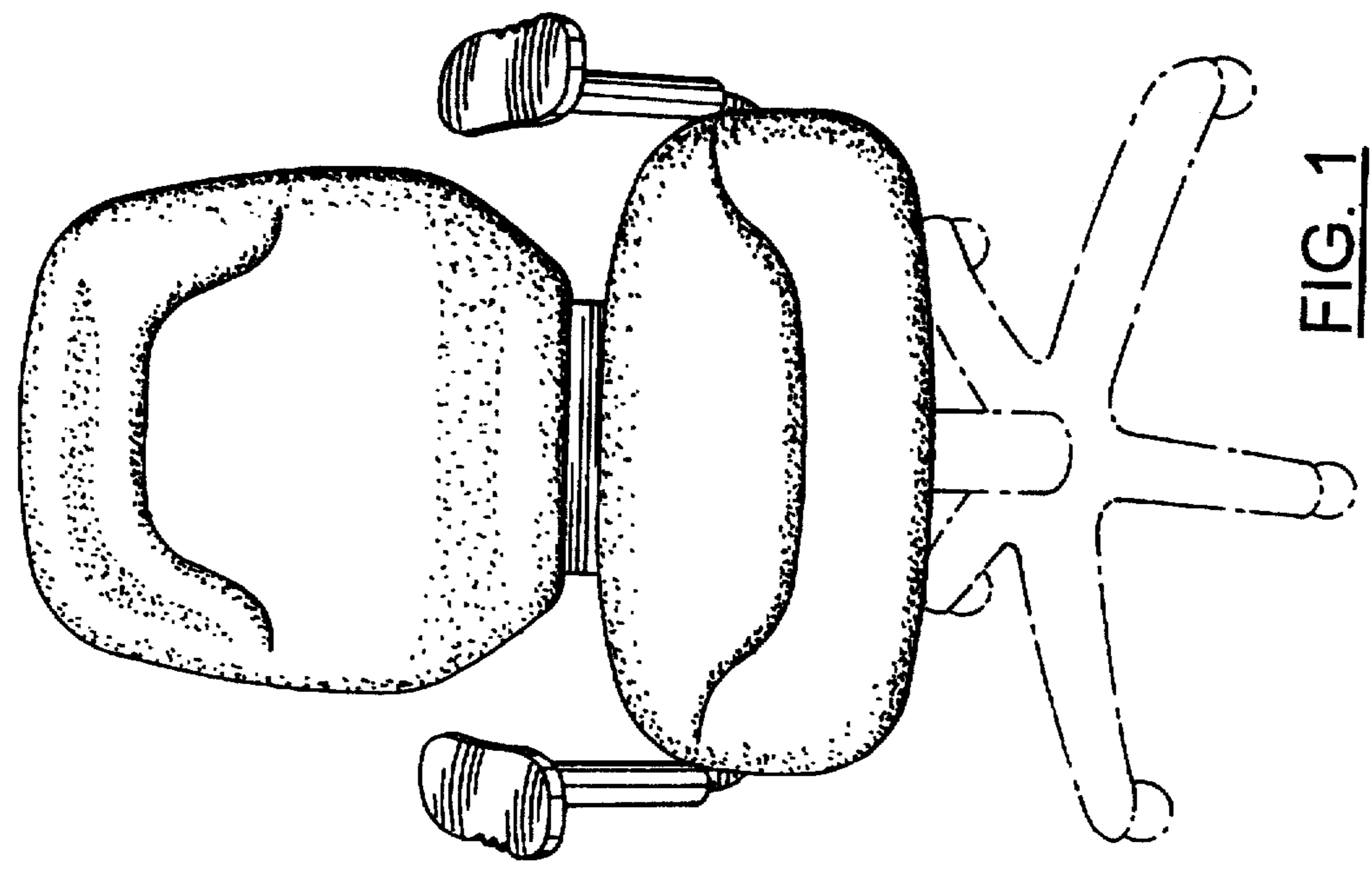


FIG. 1

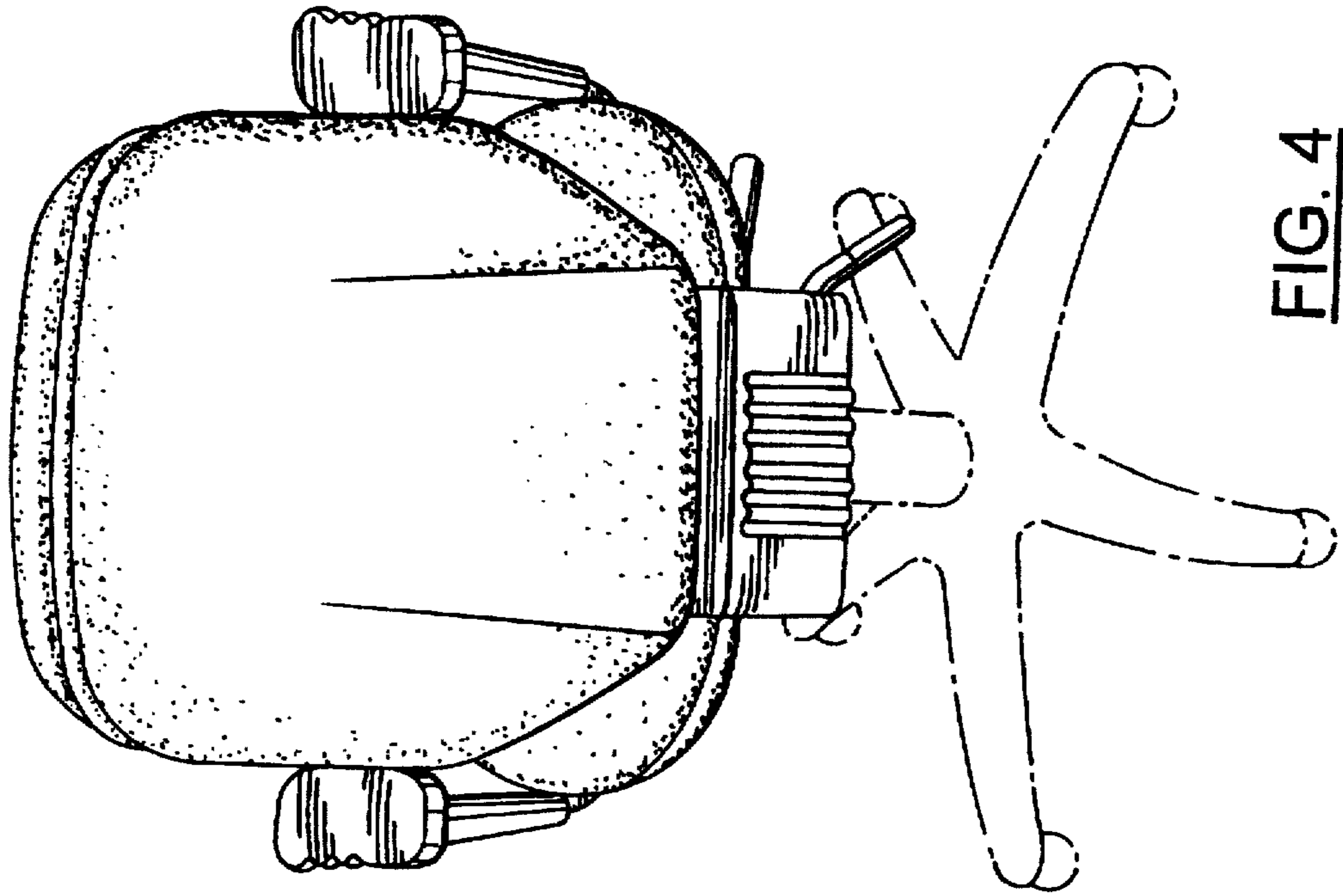


FIG. 4

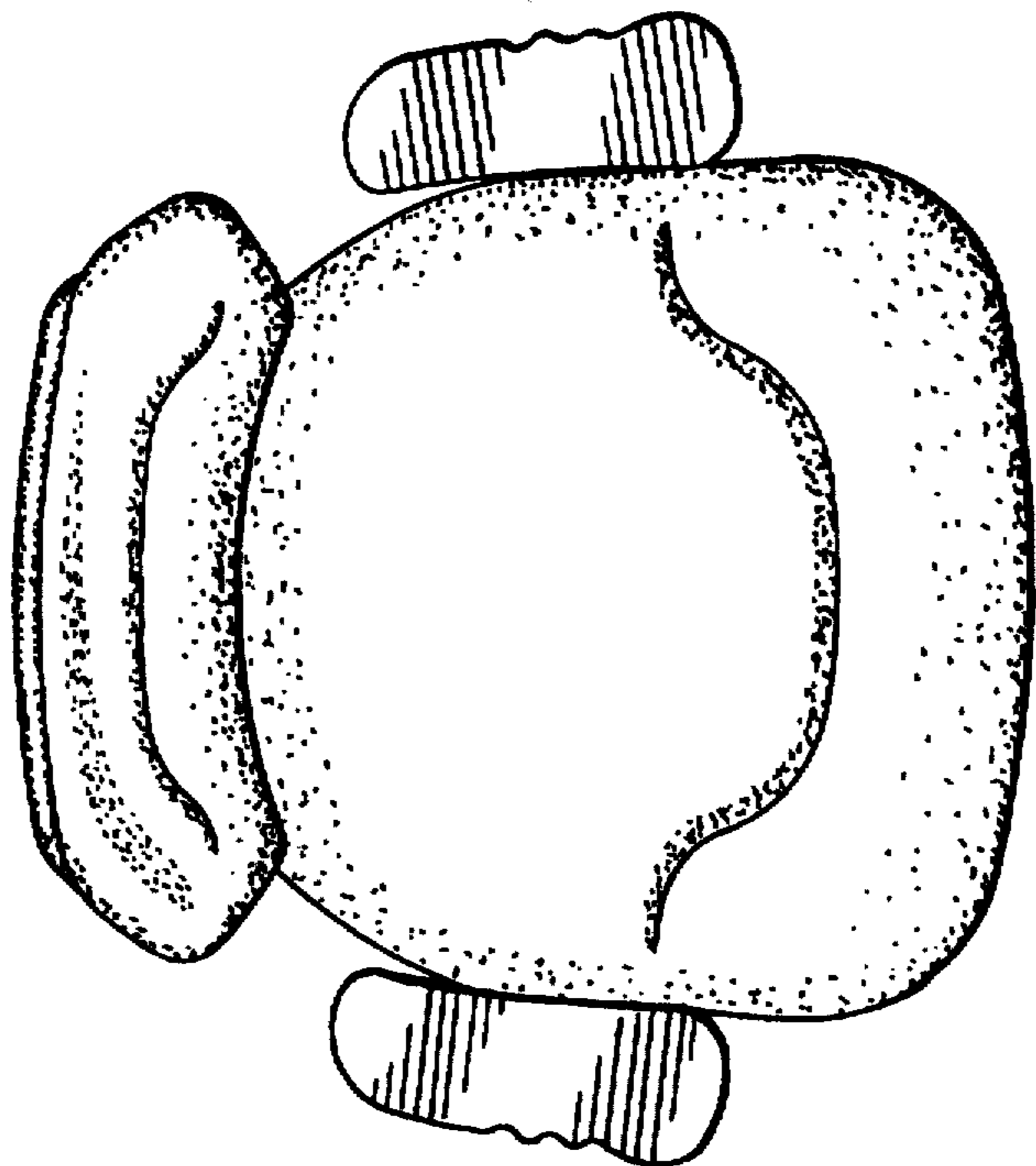


FIG. 3

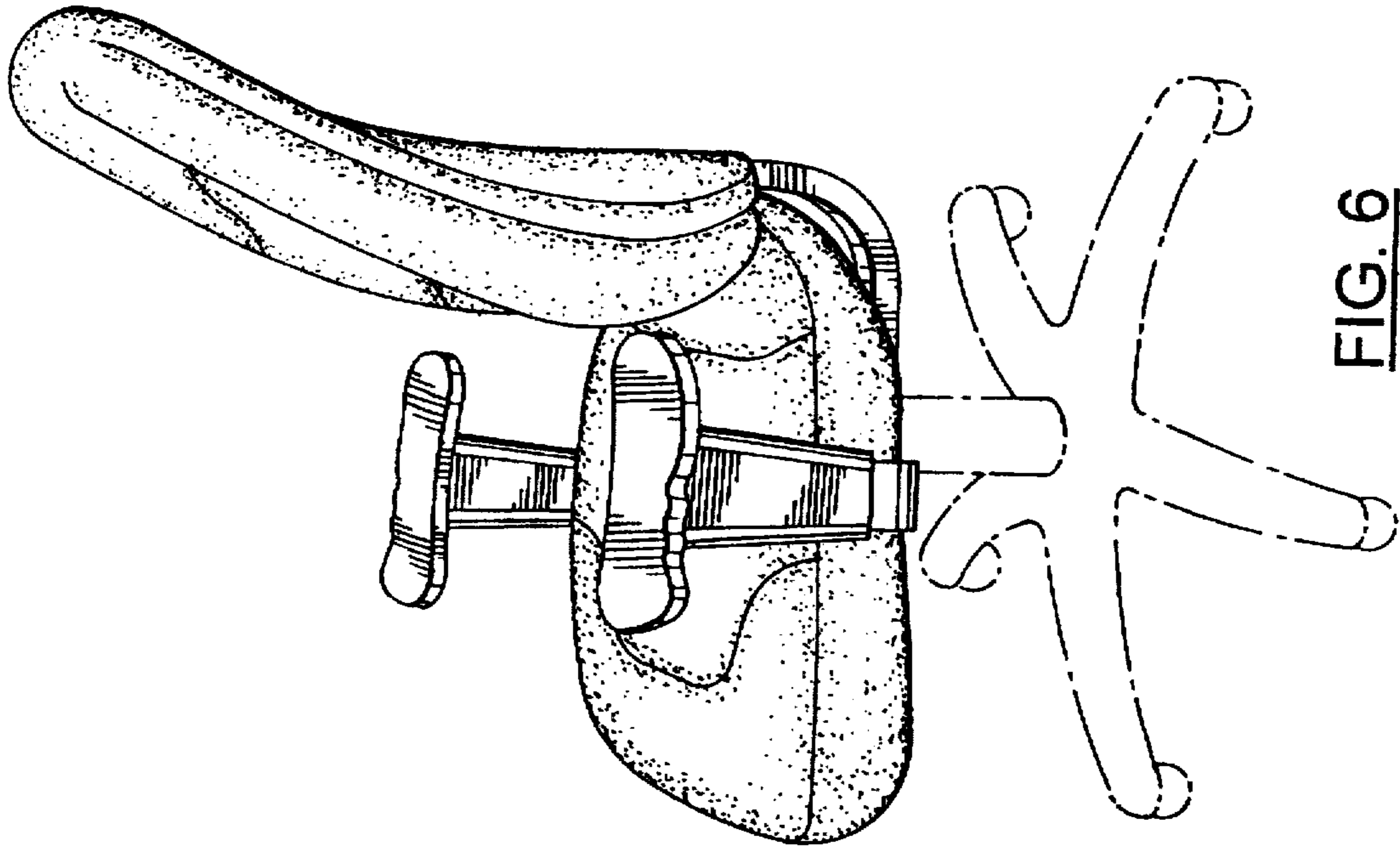


FIG. 6

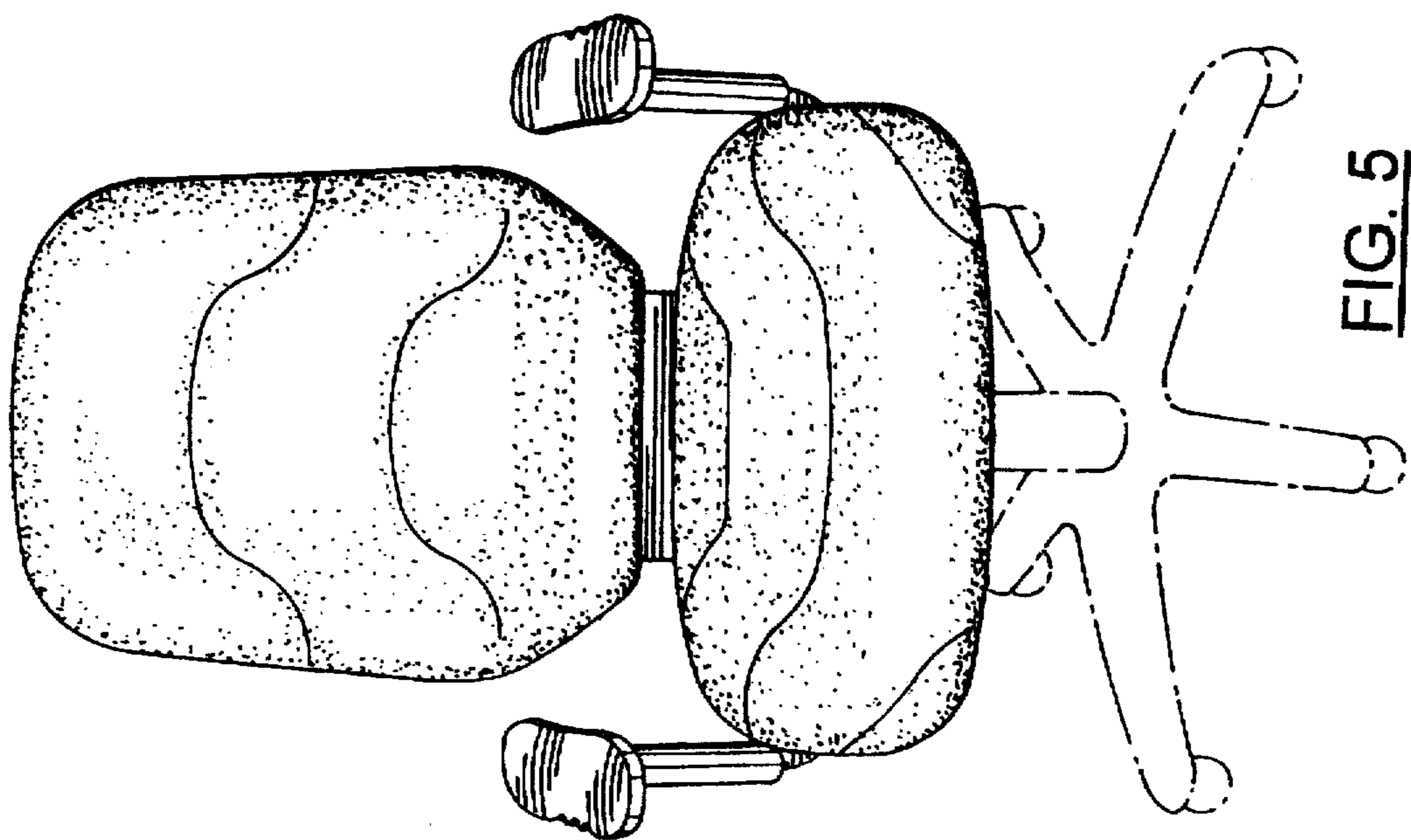


FIG. 5

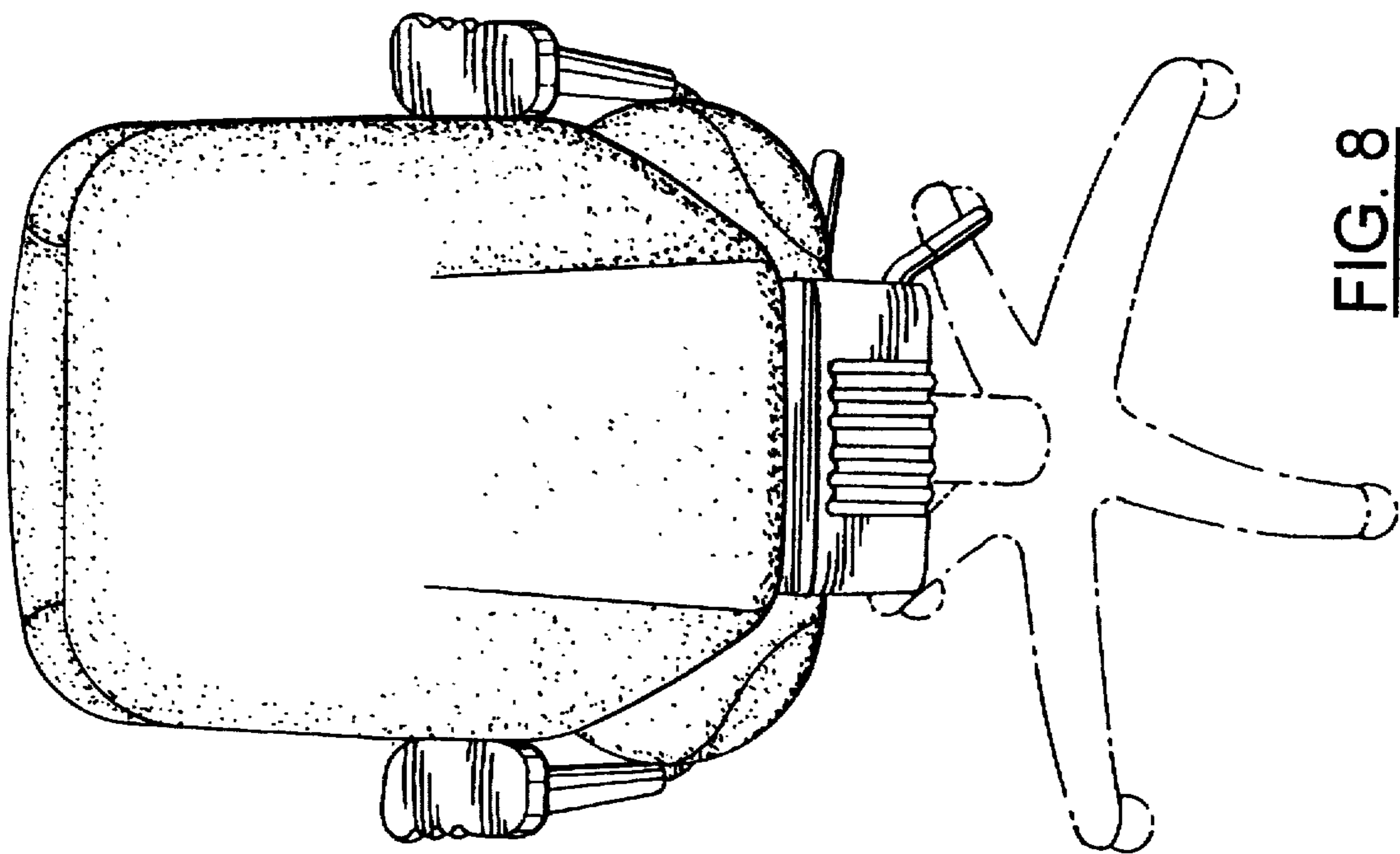


FIG. 8

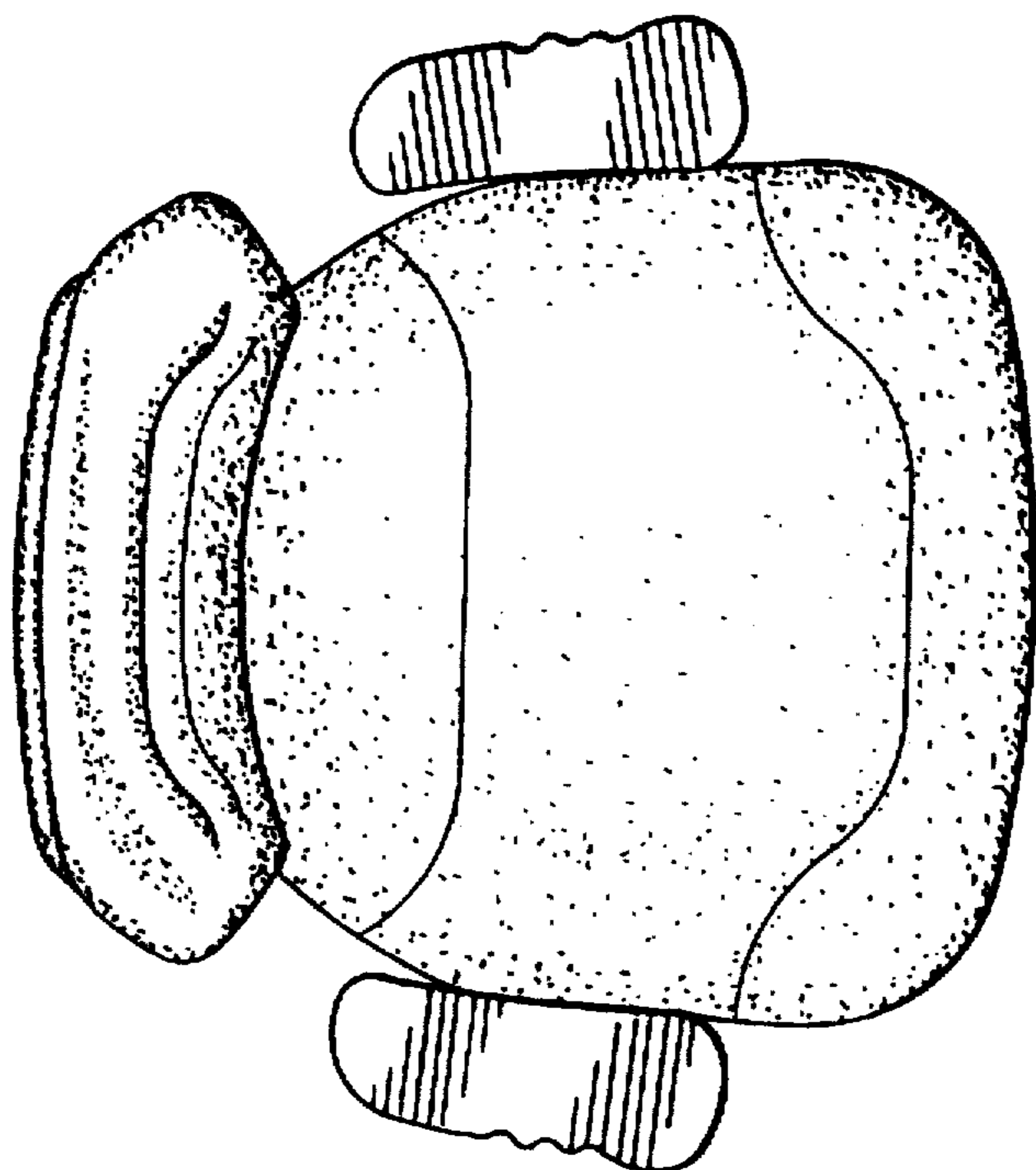


FIG. 7