



US00D408177S

**United States Patent** [19]  
**Stout**

[11] **Patent Number: Des. 408,177**  
[45] **Date of Patent: \*\*Apr. 20, 1999**

- [54] **DINING TABLE**
- [75] **Inventor: Craig Stout, Redding, Conn.**
- [73] **Assignee: Ethan Allen, Inc., Danbury, Conn.**
- [\*\*] **Term: 14 Years**
- [21] **Appl. No.: 29/087,364**
- [22] **Filed: May 1, 1998**
- [51] **LOC (6) Cl. .... 06-03**
- [52] **U.S. Cl. .... D6/480; D6/487**
- [58] **Field of Search .... D6/480-489, 495, D6/497, 498, 499; 108/153.1, 152, 156, 157.1; 248/188, 188.1, 188.7, 188.8**

D. 355,318 2/1995 Gutgsell ..... D6/498  
4,941,413 7/1990 Vanderminde ..... 108/157

**OTHER PUBLICATIONS**

Chromcraft, Sep. 1, 1983, #BC 10, table.

*Primary Examiner*—Janice E. Seeger  
*Attorney, Agent, or Firm*—Schweitzer Cornman Gross & Bondell LLP

[56] **References Cited**

**U.S. PATENT DOCUMENTS**

D. 225,598 12/1972 Leaver ..... D6/480  
D. 279,634 7/1985 Platner ..... D6/487

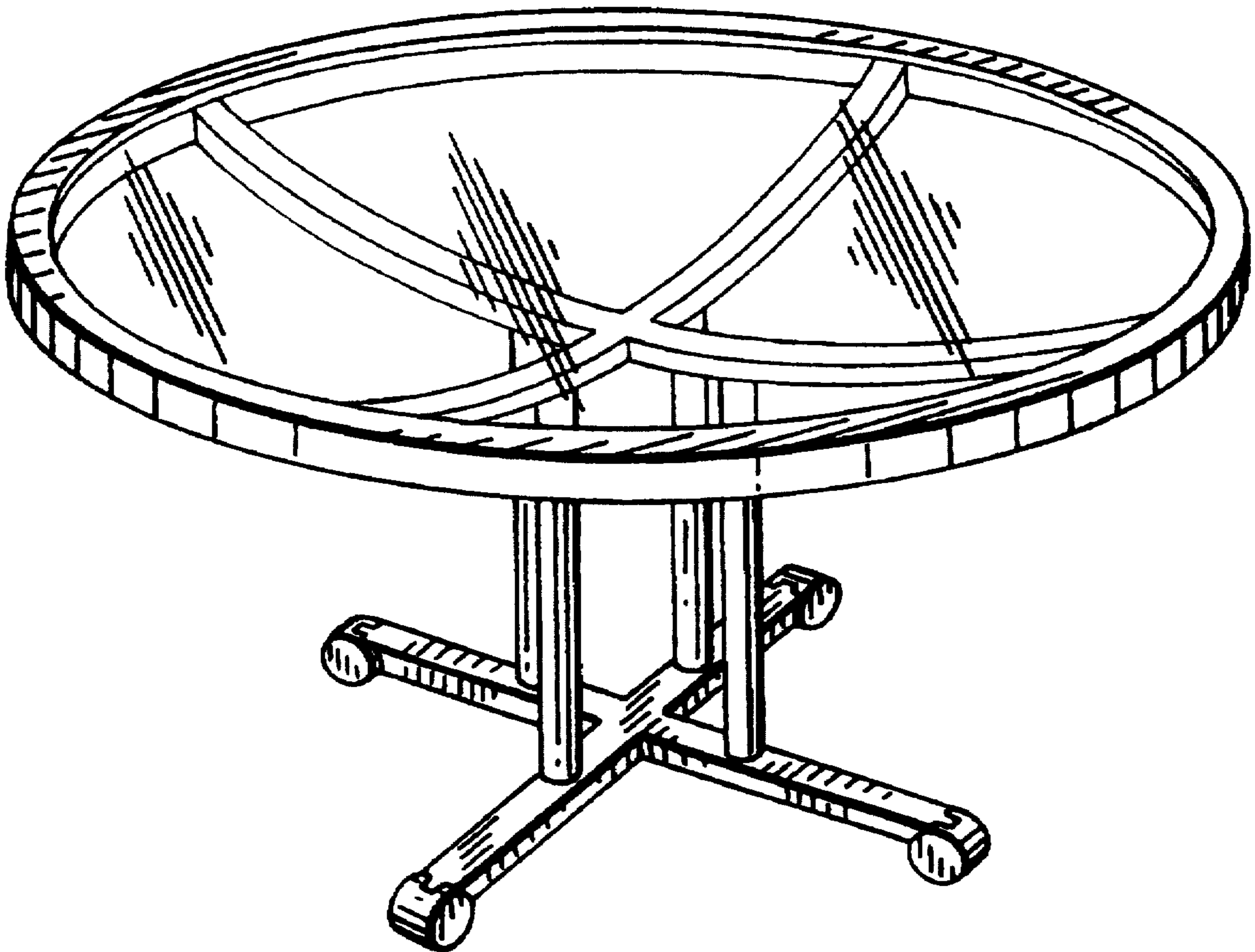
[57] **CLAIM**

The ornamental design for a dining table, as shown and described.

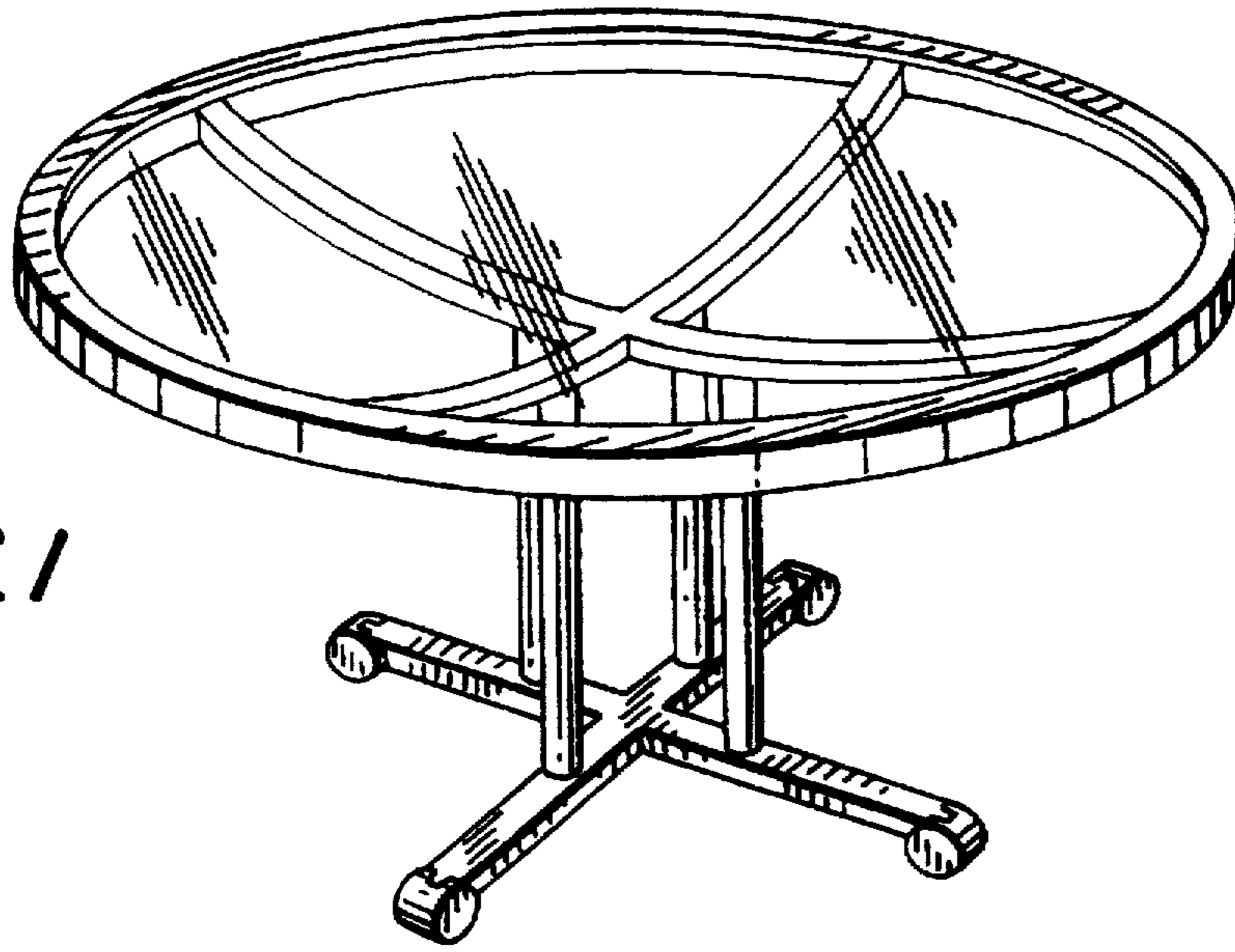
**DESCRIPTION**

FIG. 1 is a perspective drawing showing the new design;  
FIG. 2 is a top view of my design;  
FIG. 3 is a side view of my design; and,  
FIG. 4 is a bottom view of my design.

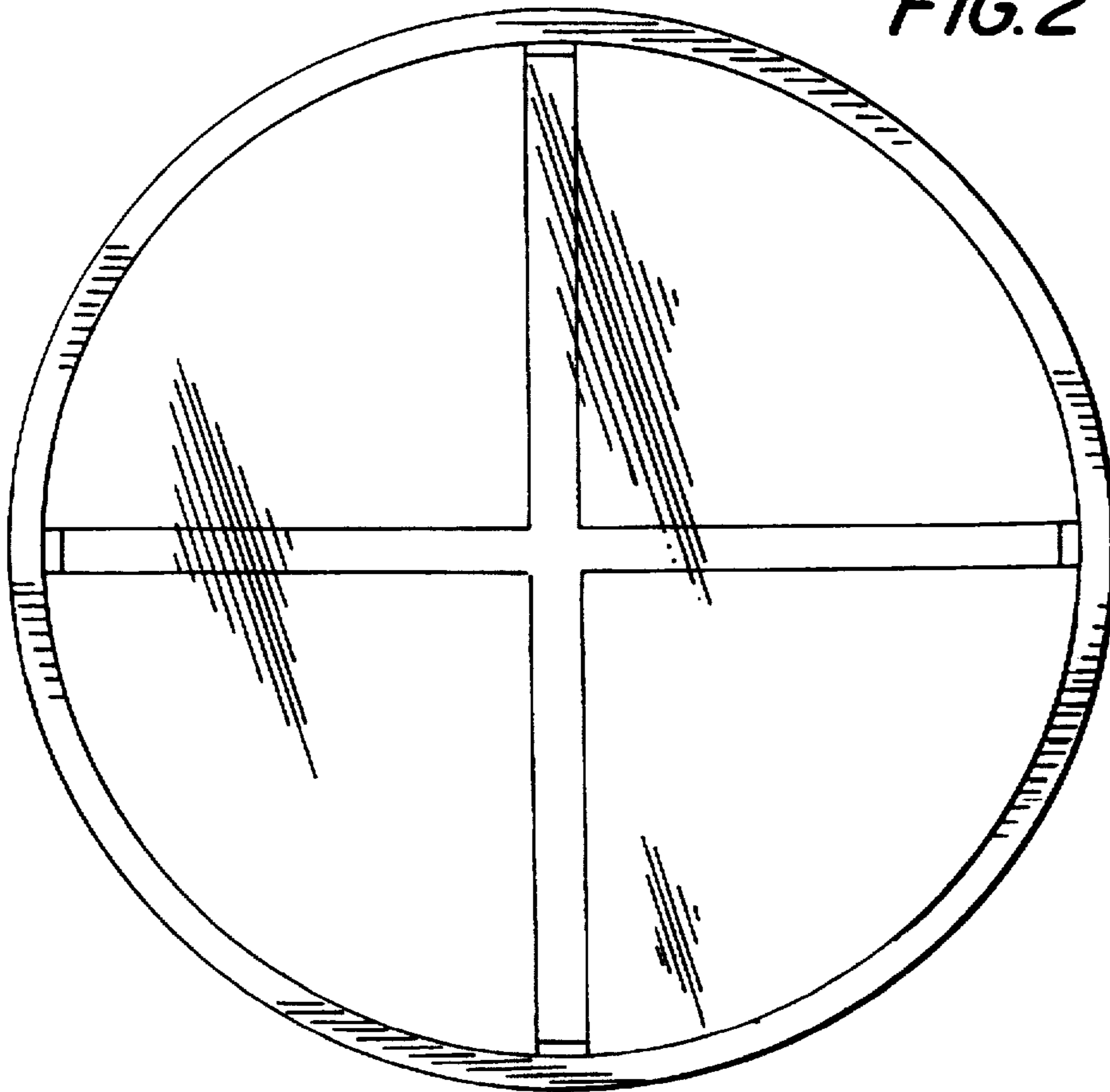
**1 Claim, 2 Drawing Sheets**



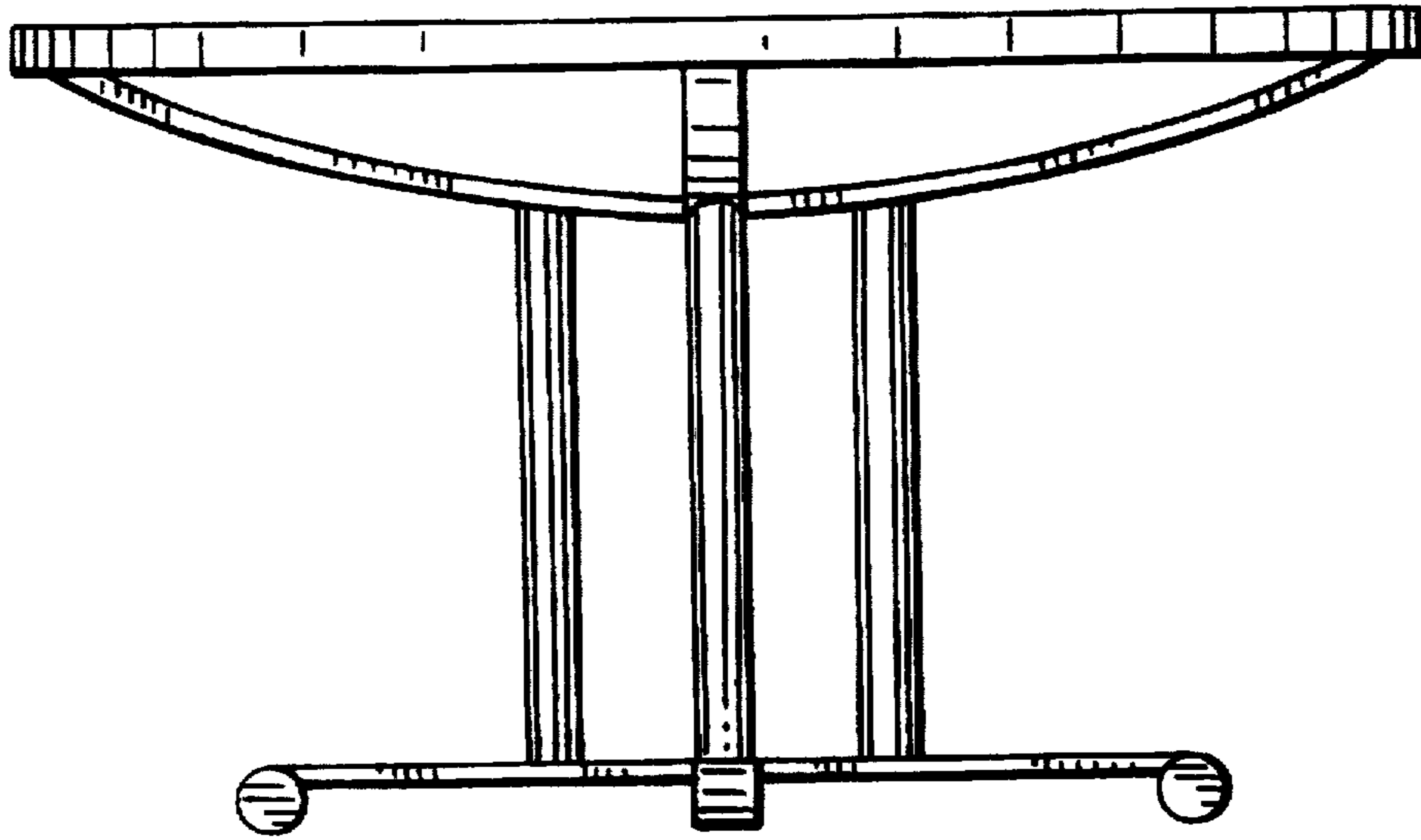
*FIG. 1*



*FIG. 2*



*FIG. 3*



*FIG. 4*

