



US00D408175S

United States Patent [19]

Daniels et al.

[11] Patent Number: Des. 408,175

[45] Date of Patent: ** Apr. 20, 1999

[54] CLOSET DRAWER UNIT

[75] Inventors: **Mark Daniels; Pam Smith**, both of Ocala, Fla.; **Steve McPhilliamy; John VanAkkeren**, both of Chicago, Ill.; **Damon Johnston**, Oswego, Ill.; **Mike Jaron**, Mt. Prospect, Ill.

[73] Assignee: **Clairson, Inc.**, Newark, Del.

[**] Term: **14 Years**

[21] Appl. No.: **29/074,623**

[22] Filed: **Aug. 8, 1997**

[51] LOC (6) Cl. **06-04**

[52] U.S. Cl. **D6/476; D6/510**

[58] Field of Search **D6/475, 476, 560, D6/561, 569, 574, 509-511, 445, 446, 448, 432, 436; 312/246, 248, 265.1, 265.4, 330.1, 334.7, 334.8; 211/1, 113, 117, 118, 128.1, 126.1, 133.1; D34/17, 19-21**

[56] **References Cited**

U.S. PATENT DOCUMENTS

D. 191,303 9/1961 Tashman D34/21
D. 330,813 11/1992 Spitzer et al. D6/432

D. 367,381 2/1996 Licari D6/446
4,051,789 10/1977 Howitt 211/128.1 X
4,129,347 12/1978 Godtschalck 312/330.1
4,191,436 3/1980 Cherry 312/330.1 X
4,653,818 3/1987 DeBruyn 312/246

Primary Examiner—James Gandy
Assistant Examiner—Linda Brooks
Attorney, Agent, or Firm—McDermott, Will & Emery

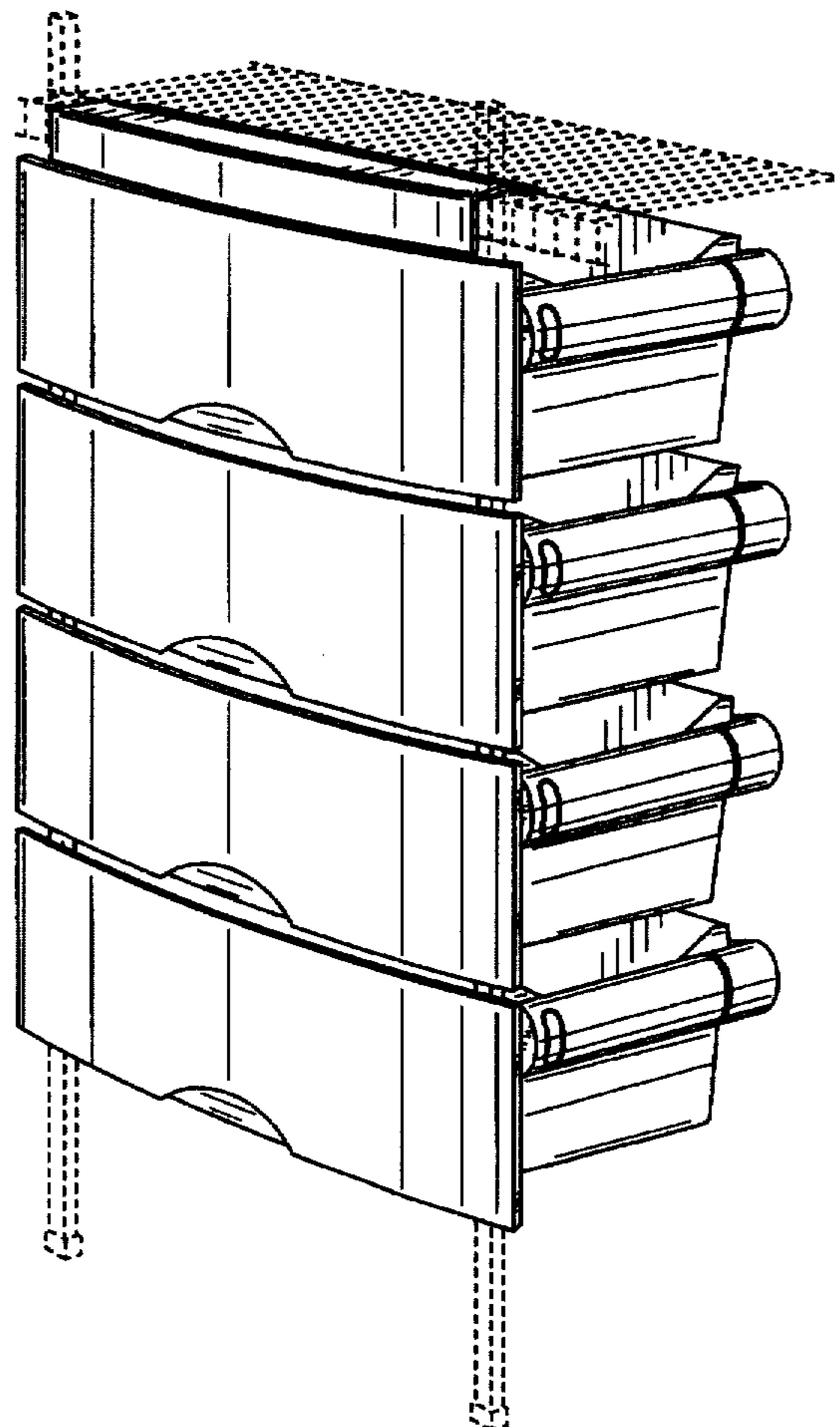
[57] **CLAIM**

The ornamental design for a closet drawer unit, as shown and described.

DESCRIPTION

FIG. 1 is a right front perspective view of the closet drawer unit showing our new design, with the broken lines showing portions of a shelf and support poles for illustrative purposes only and forming no part of the claimed design; FIG. 2 is a front view of the closet drawer unit of FIG. 1; FIG. 3 is a rear view of the closet drawer unit of FIG. 1; FIG. 4 is a top view of the closet drawer unit of FIG. 1; FIG. 5 is a bottom view of the closet drawer unit of FIG. 1; and, FIG. 6 is a right side view of the closet drawer unit of FIG. 1, with the left side view being a mirror image of FIG. 6.

1 Claim, 6 Drawing Sheets



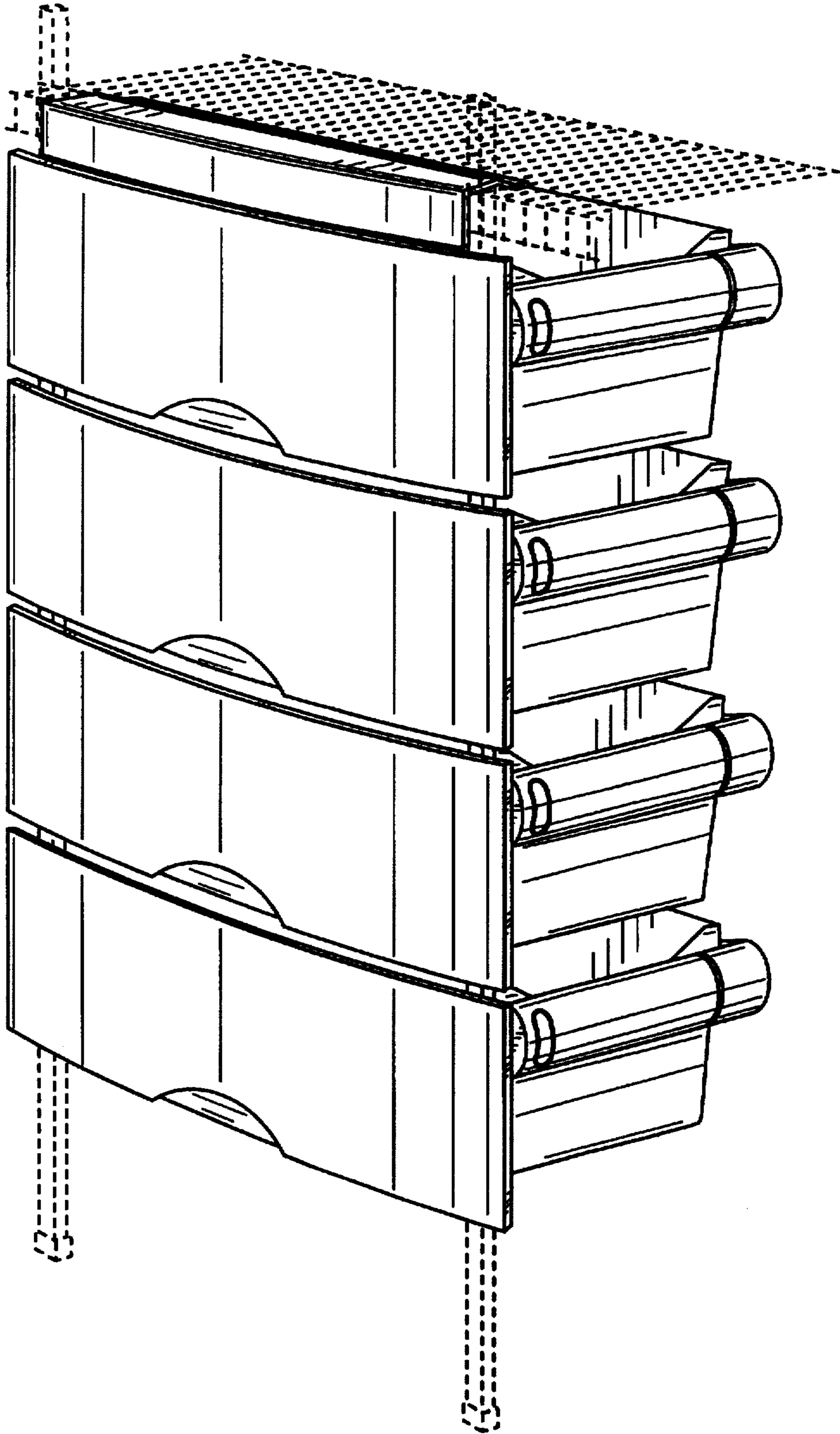


FIG. 1

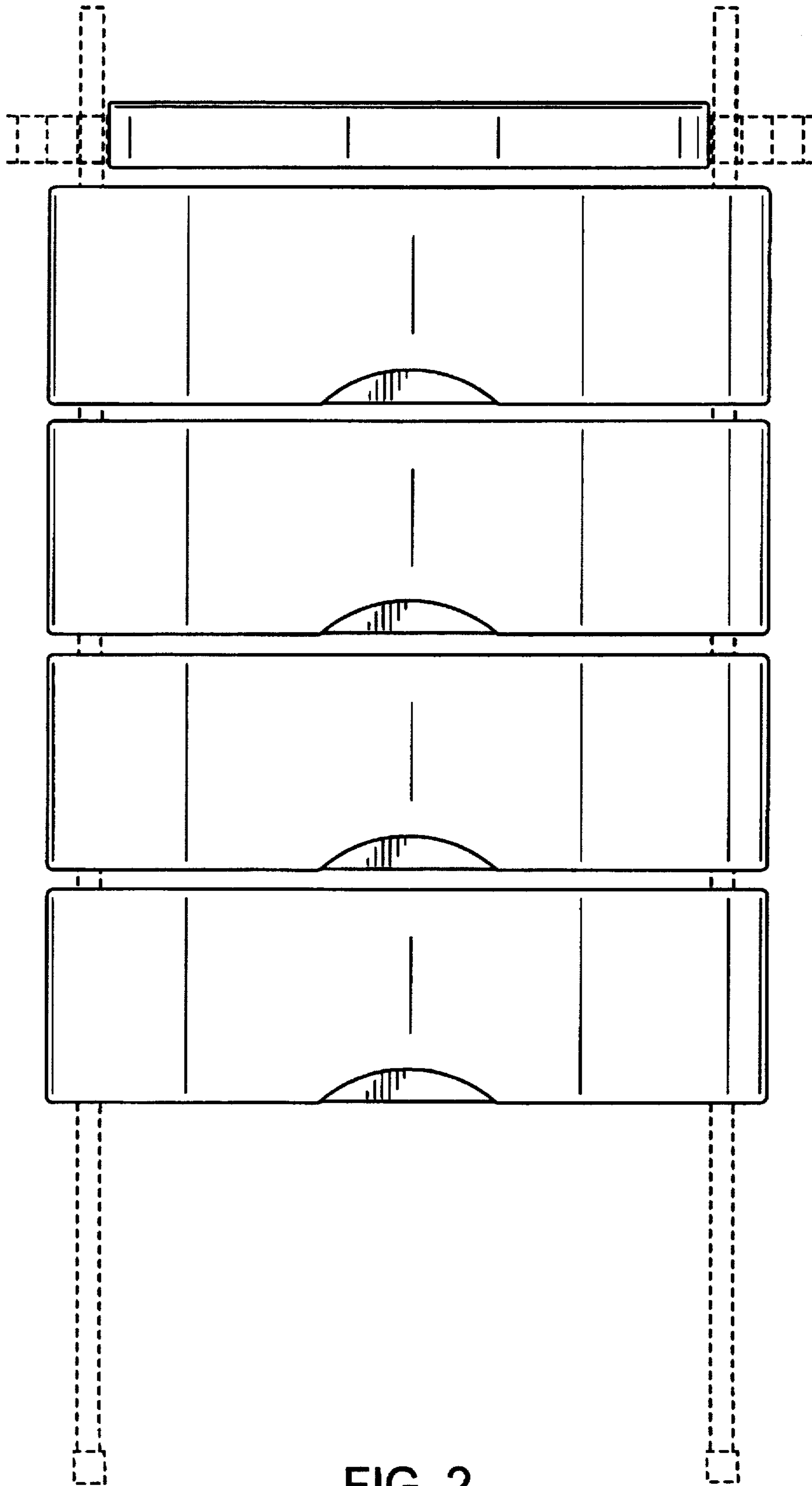


FIG. 2

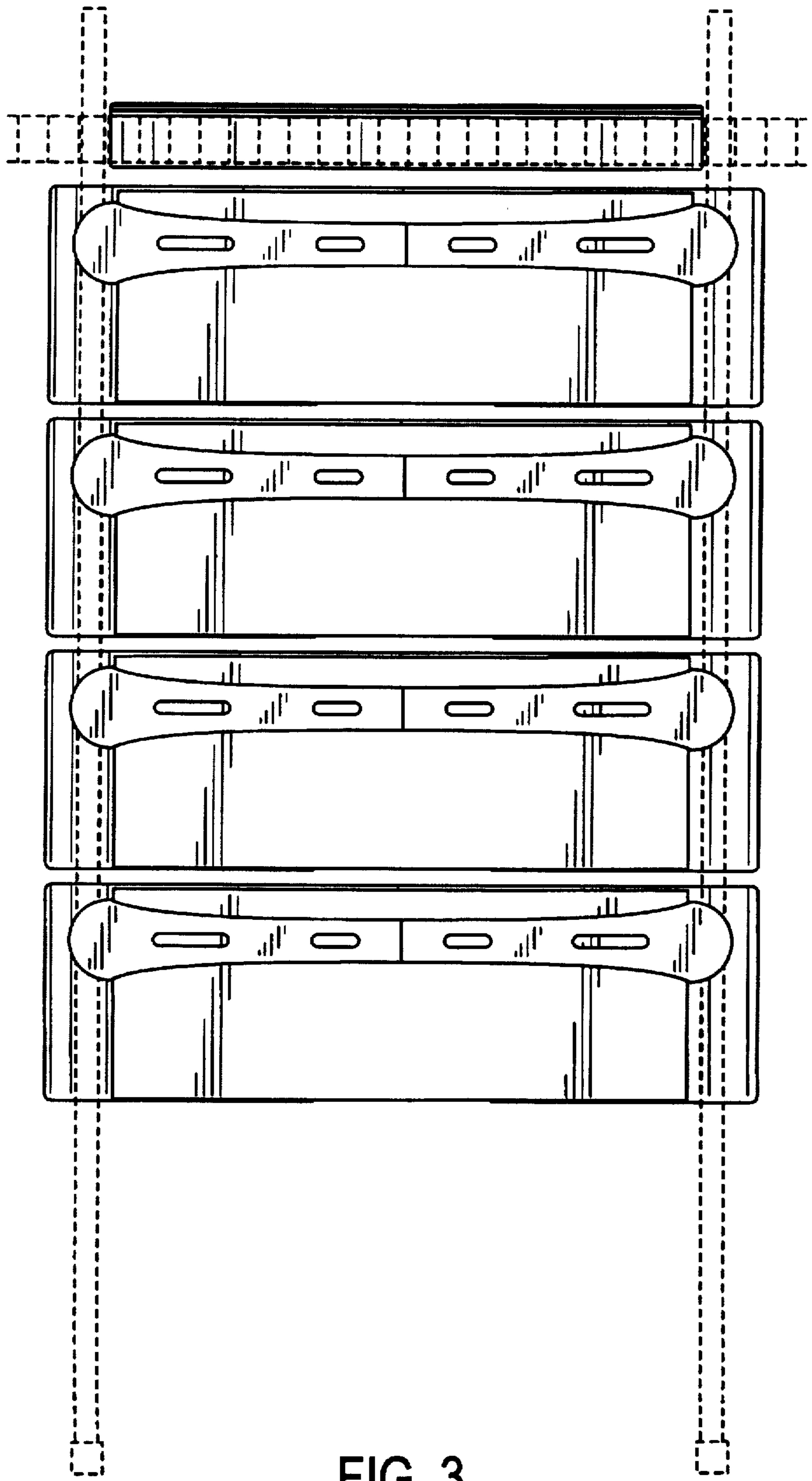


FIG. 3

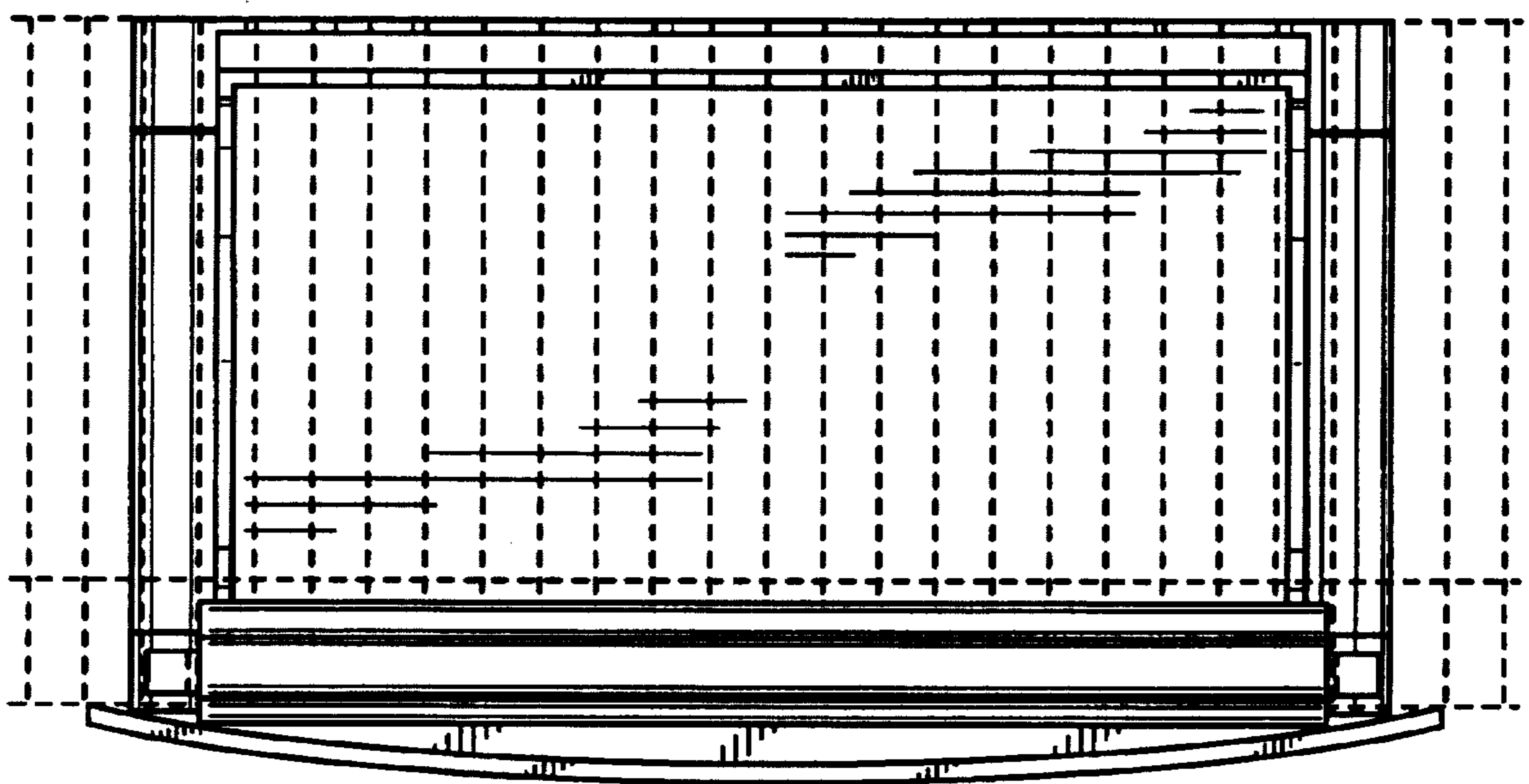


FIG. 4

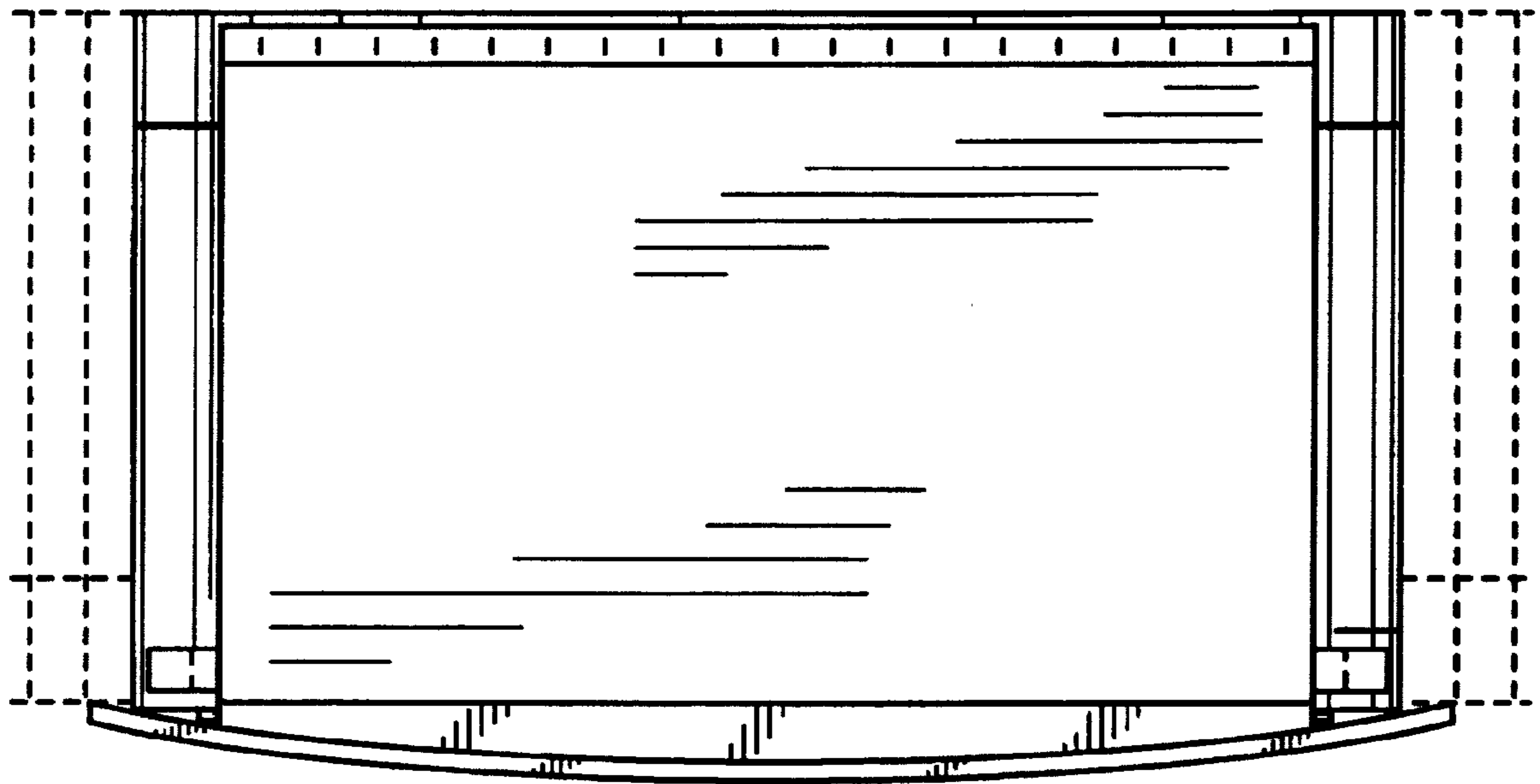


FIG. 5

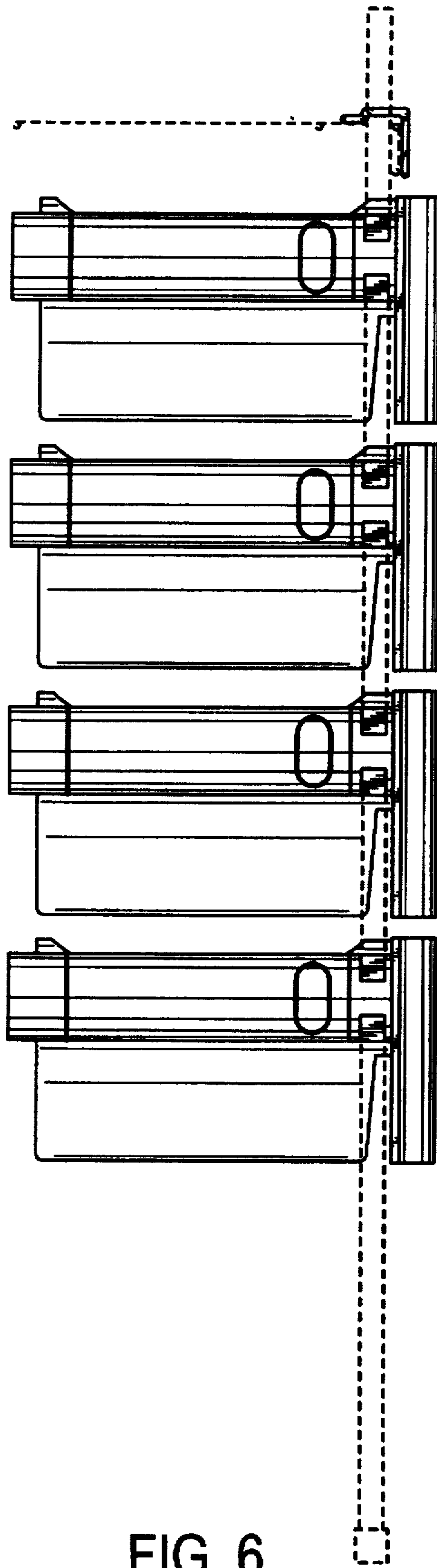


FIG. 6