



US00D408171S

United States Patent [19]

Belka et al.

[11] Patent Number: Des. 408,171

[45] Date of Patent: ** Apr. 20, 1999

[54] WORK STATION

4-5910 1/1992 Japan .

[75] Inventors: **Allen B. Belka**, Wayland; **Ronna L. Jacobs**, Douglas; **Brian D. T. Alexander**, Fennville, all of Mich.

[73] Assignee: **Haworth, Inc.**, Holland, Mich.

[**] Term: **14 Years**

[21] Appl. No.: **29/078,530**

[22] Filed: **Oct. 28, 1997**

Related U.S. Application Data

[63] Continuation of application No. 29/073,261, Jul. 10, 1997.

[51] LOC (6) Cl. **06-03**

[52] U.S. Cl. **D6/426**

[58] Field of Search D6/422, 426-430, D6/473, 480, 482, 484; D14/102-104; 108/1, 50, 59, 60, 90-93, 149, 161; 211/1, 13.1; 312/193-196, 183, 238, 223.2, 223.3

[56] References Cited

U.S. PATENT DOCUMENTS

D. 118,484	1/1940	Salomon .	
D. 286,233	10/1986	Schreiner	D6/397
D. 321,447	11/1991	Newhouse	D6/484
D. 370,571	6/1996	Newhouse et al.	D6/429
D. 377,873	2/1997	Flötotto	D6/427
D. 388,981	1/1998	Gongora et al.	D6/482
D. 389,336	1/1998	Moore	D6/426
D. 389,667	1/1998	Moore	D6/426
581,127	4/1897	McCorkle .	
1,528,855	3/1925	Smith .	
1,818,606	8/1931	Burks .	
1,911,959	5/1933	Kern et al. .	
2,090,176	8/1937	Besancon	312/140
2,153,422	4/1939	Kroman	211/72
2,520,490	8/1950	Boward	273/150

(List continued on next page.)

FOREIGN PATENT DOCUMENTS

0 481 159A1	4/1992	European Pat. Off. .
0 531 794A1	3/1993	European Pat. Off. .

OTHER PUBLICATIONS

Drawings from U.S. Serial No. 08/870 954, filed Jun. 6, 1997 (5 sheets).

Drawings from U.S. Serial No. 08/890 914, filed Jul. 10, 1997 (10 sheets).

U.S. application No. 29/071,758, filed Jun. 6, 1997, Table with Article-Supportive Surround (Atty. Ref.: Haworth Case 241).

U.S. application No. 29/071,761, filed Jun. 6, 1997, U-Shaped Work Station (Atty. Ref.: Haworth Design Case 243).

U.S. Provisional application Serial No. 60/019 407, filed Jun. 7, 1996, Rim Top Table (Atty. Ref.: Haworth PA Case 01).

U.S. Provisional application Serial No. 60/019 425, filed Jun. 7, 1996, Spacial Organizer for Papers (Atty. Ref.: Haworth PA Case 03).

Primary Examiner—James Gandy

Assistant Examiner—Linda Brooks

Attorney, Agent, or Firm—Flynn, Thiel, Boutell & Tanis, P.C.

[57] CLAIM

The ornamental design for a work station, as shown and described.

DESCRIPTION

FIG. 1 is a left perspective view of the work station embodying our design;

FIG. 2 is a front perspective view thereof;

FIG. 3 is a front elevational view thereof;

FIG. 4 is a back elevational view thereof;

FIG. 5 is a left side elevational view, the right side elevational view being a mirror image thereof;

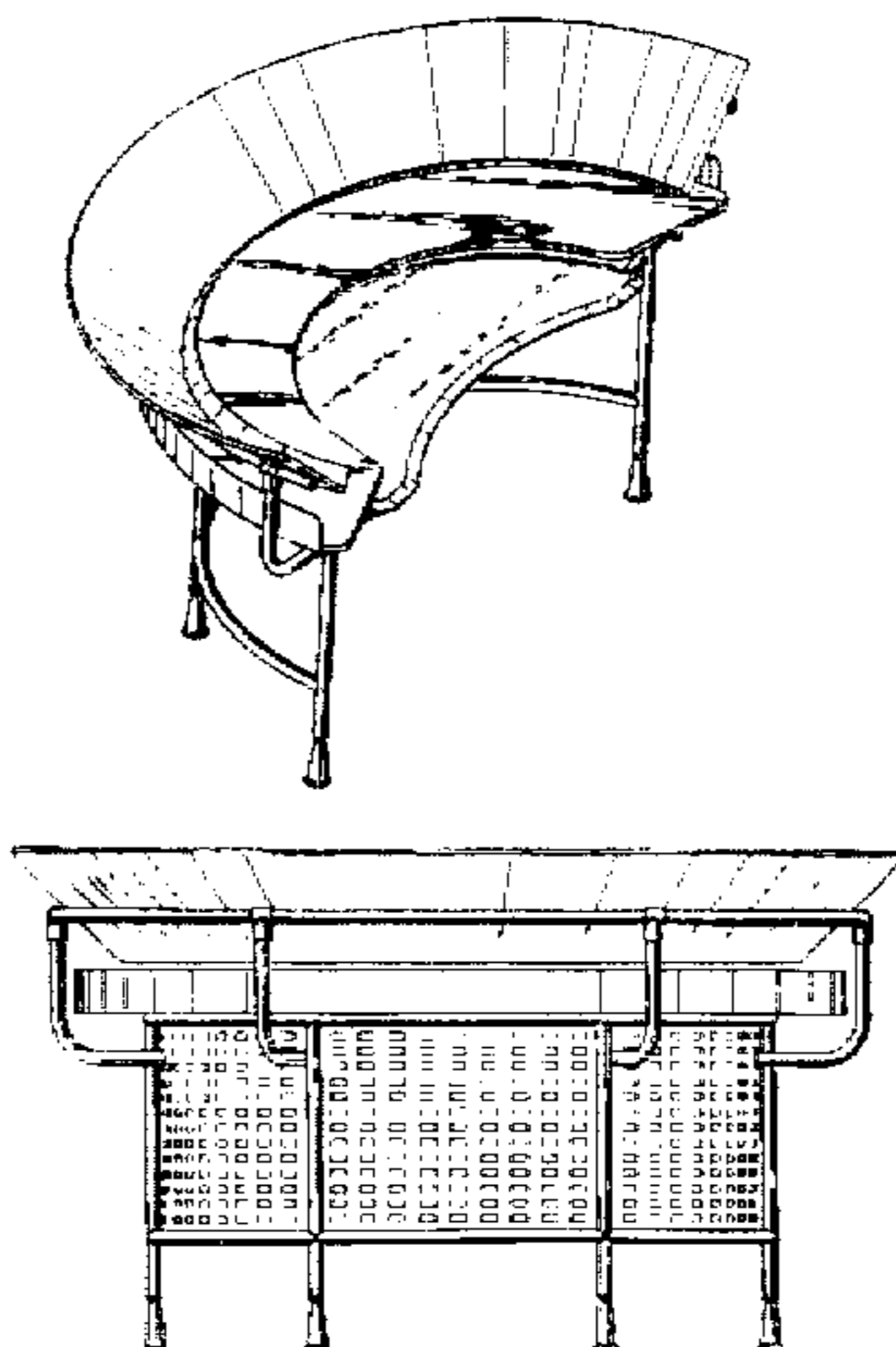
FIG. 6 is a top plan view thereof;

FIG. 7 is a back elevational view of a second embodiment of FIG. 1, it being understood that the only difference is the addition of a curved modesty panel, it being understood that all the other surfaces are the same as the first embodiment shown in FIGS. 1-6; and,

FIG. 8 is a left side elevational view of FIG. 7, the opposite side being a mirror image.

The front of the modesty panel is the reverse image of the rear.

1 Claim, 8 Drawing Sheets



U.S. PATENT DOCUMENTS						
2,947,998	8/1960	Murphy .	5,009,335	4/1991	Jonker	211/55
4,605,988	8/1986	Nienhuis et al.	5,018,628	5/1991	Schenck et al. .	
4,852,500	8/1989	Ryburg et al.	5,024,167	6/1991	Hayward	108/50
4,894,600	1/1990	Kearney .	5,120,117	6/1992	Williams	312/208
4,914,873	4/1990	Newhouse	5,289,926	3/1994	Lewis et al.	211/45
4,938,366	7/1990	Carroll	5,317,977	6/1994	Omessi	108/97
4,948,205	8/1990	Kelley .	5,481,987	1/1996	Maitland .	
			5,568,773	10/1996	Hung .	
			5,609,112	3/1997	Meyer et al.	108/153

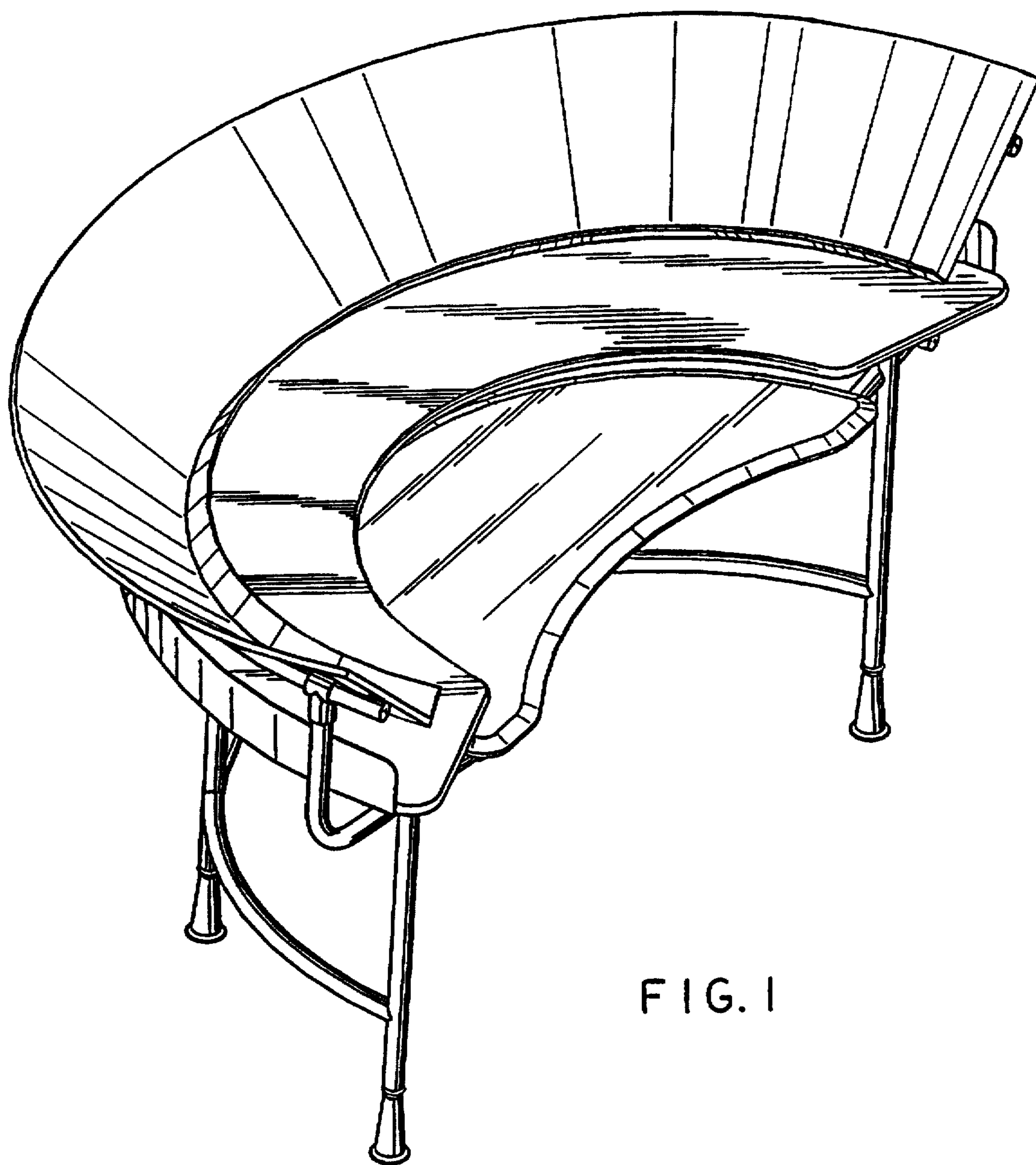


FIG. 1

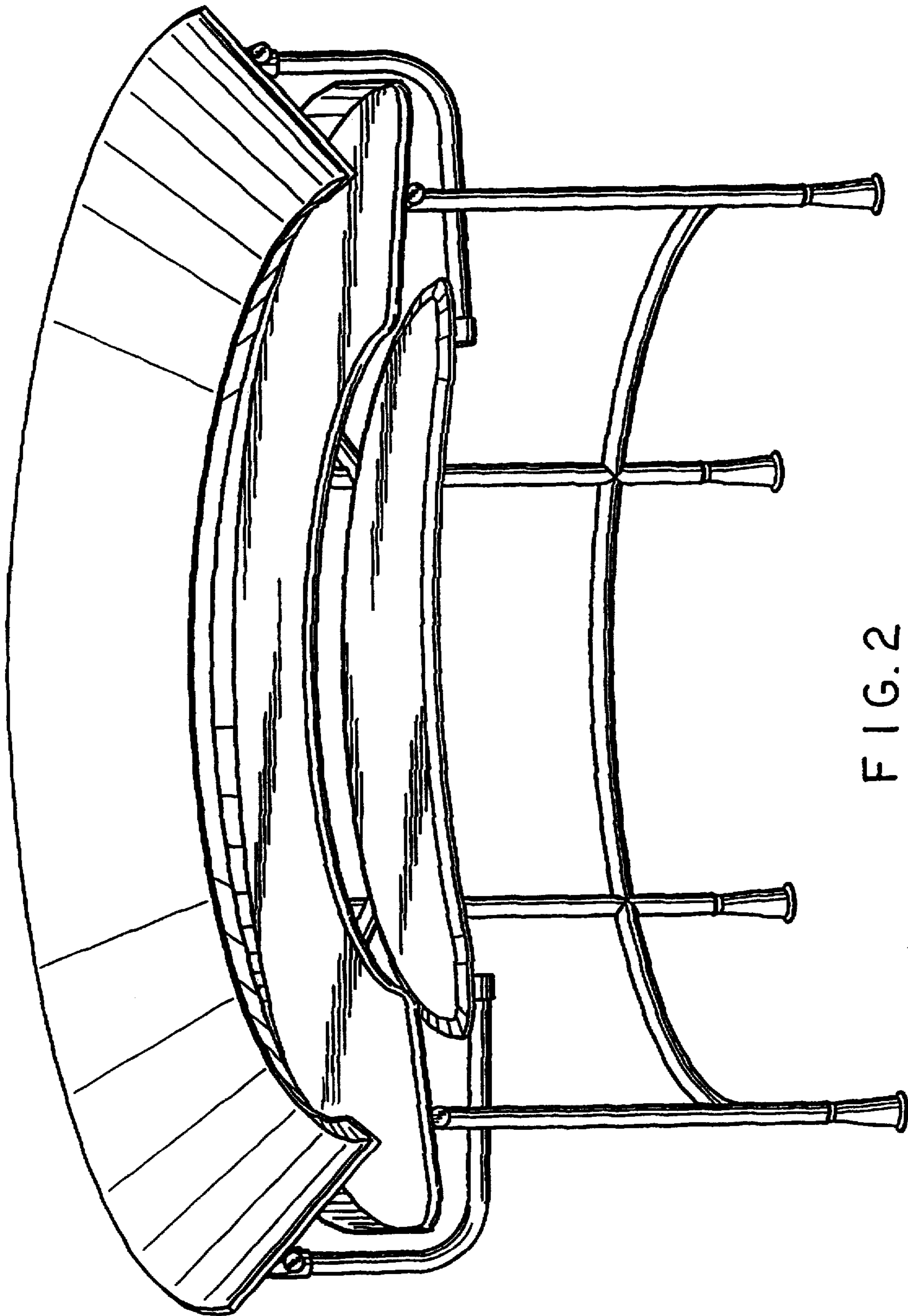


FIG. 2

FIG. 3

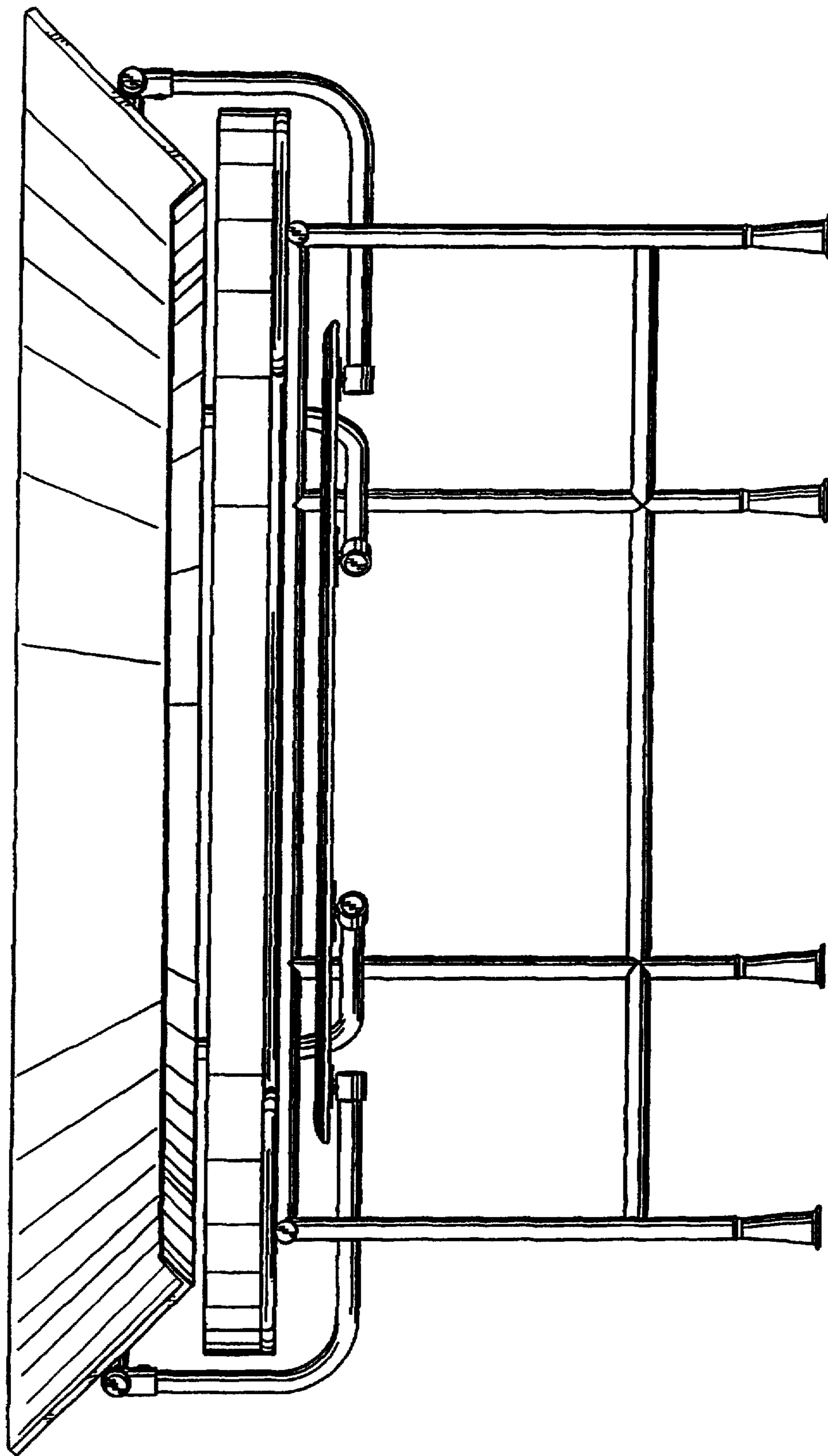


FIG. 4

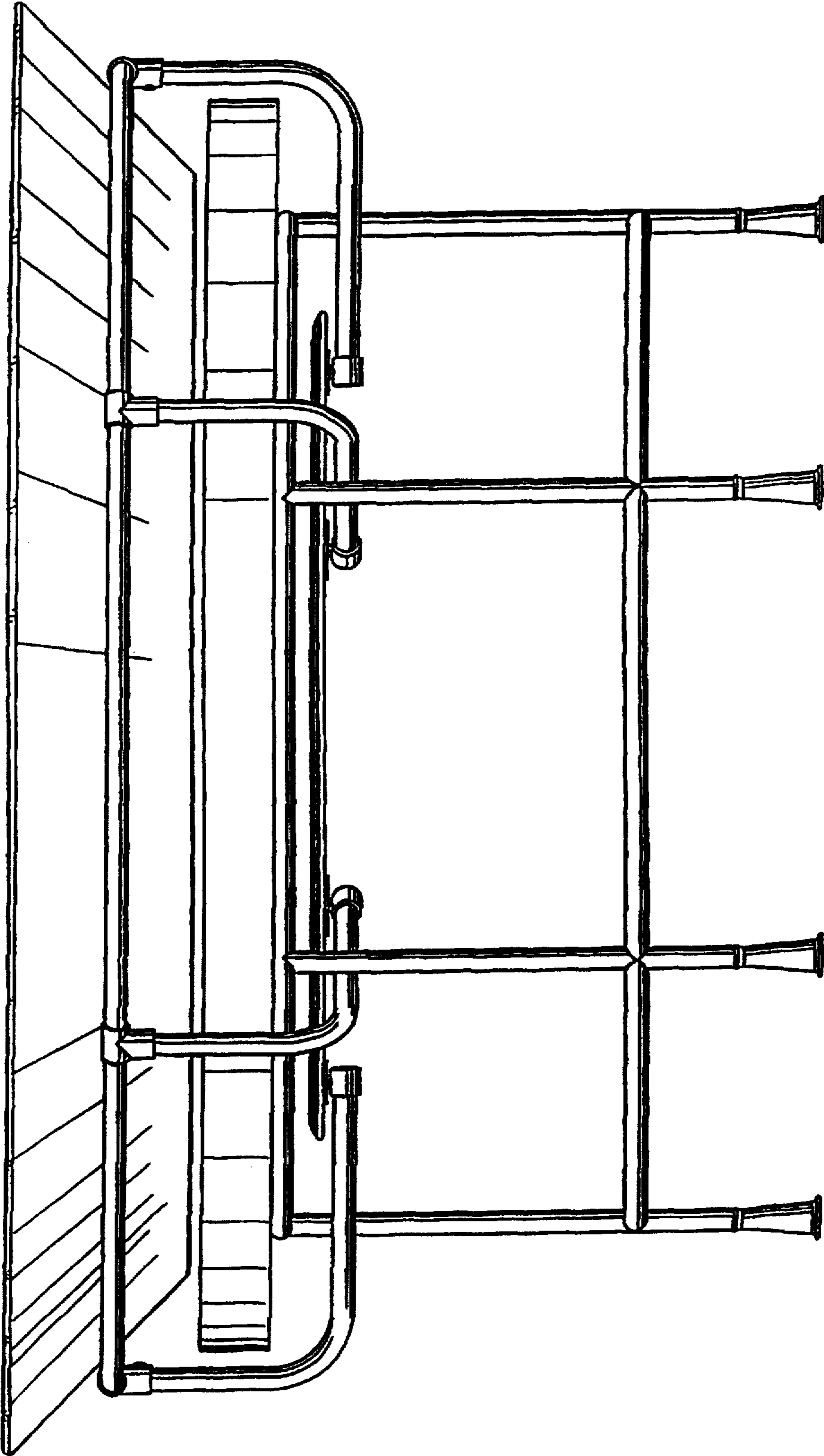


FIG. 5

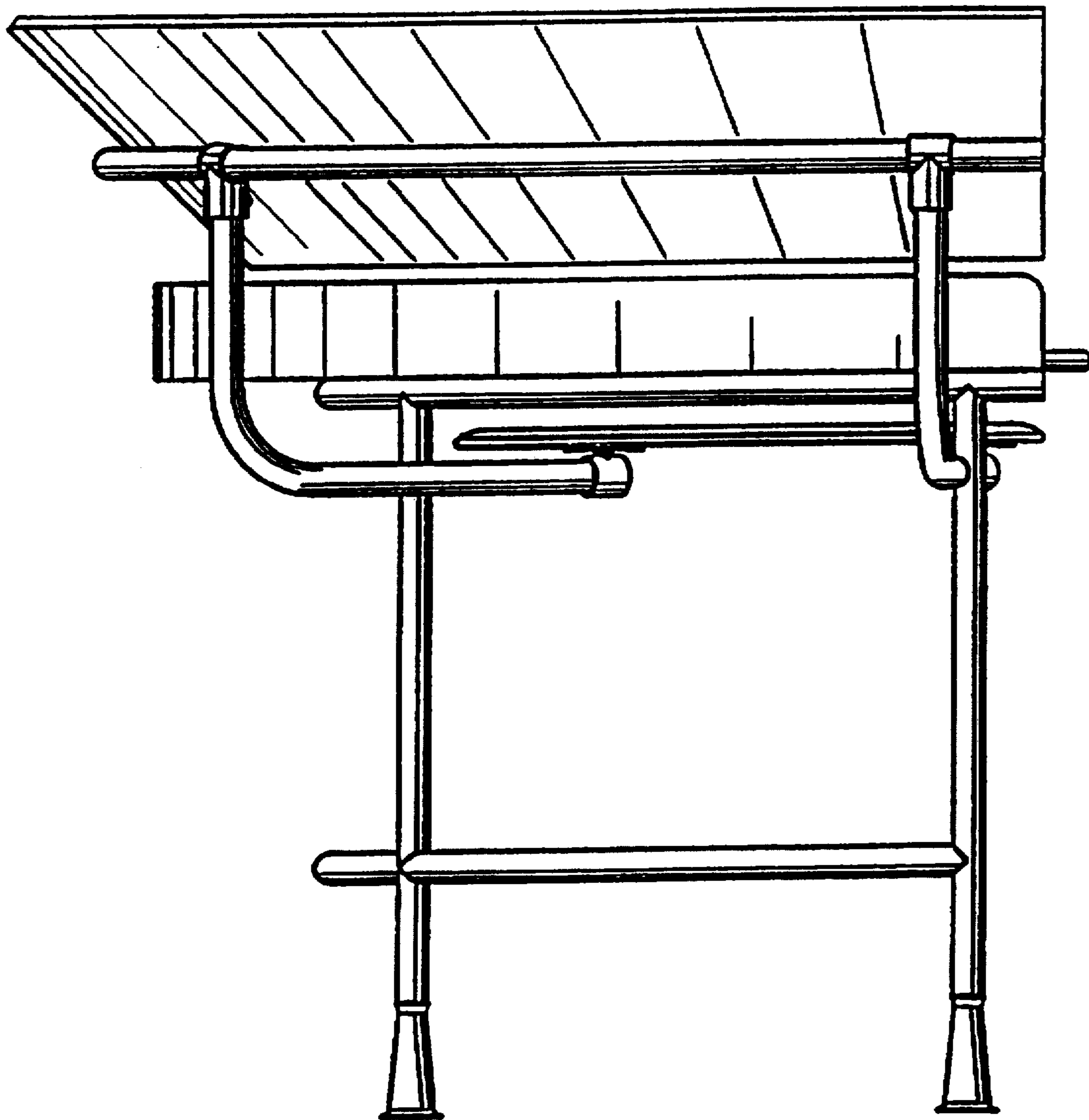


FIG. 6

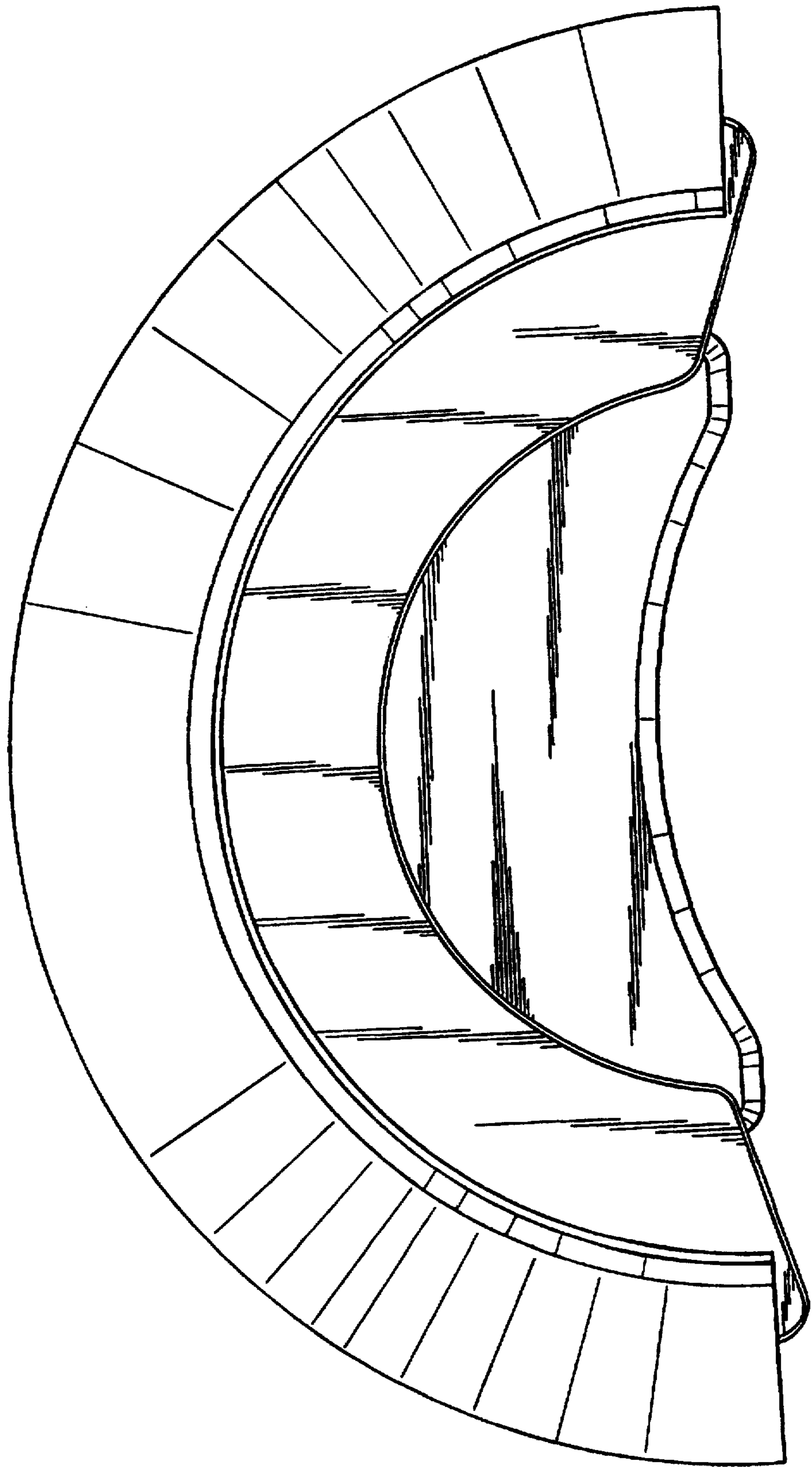


FIG. 7

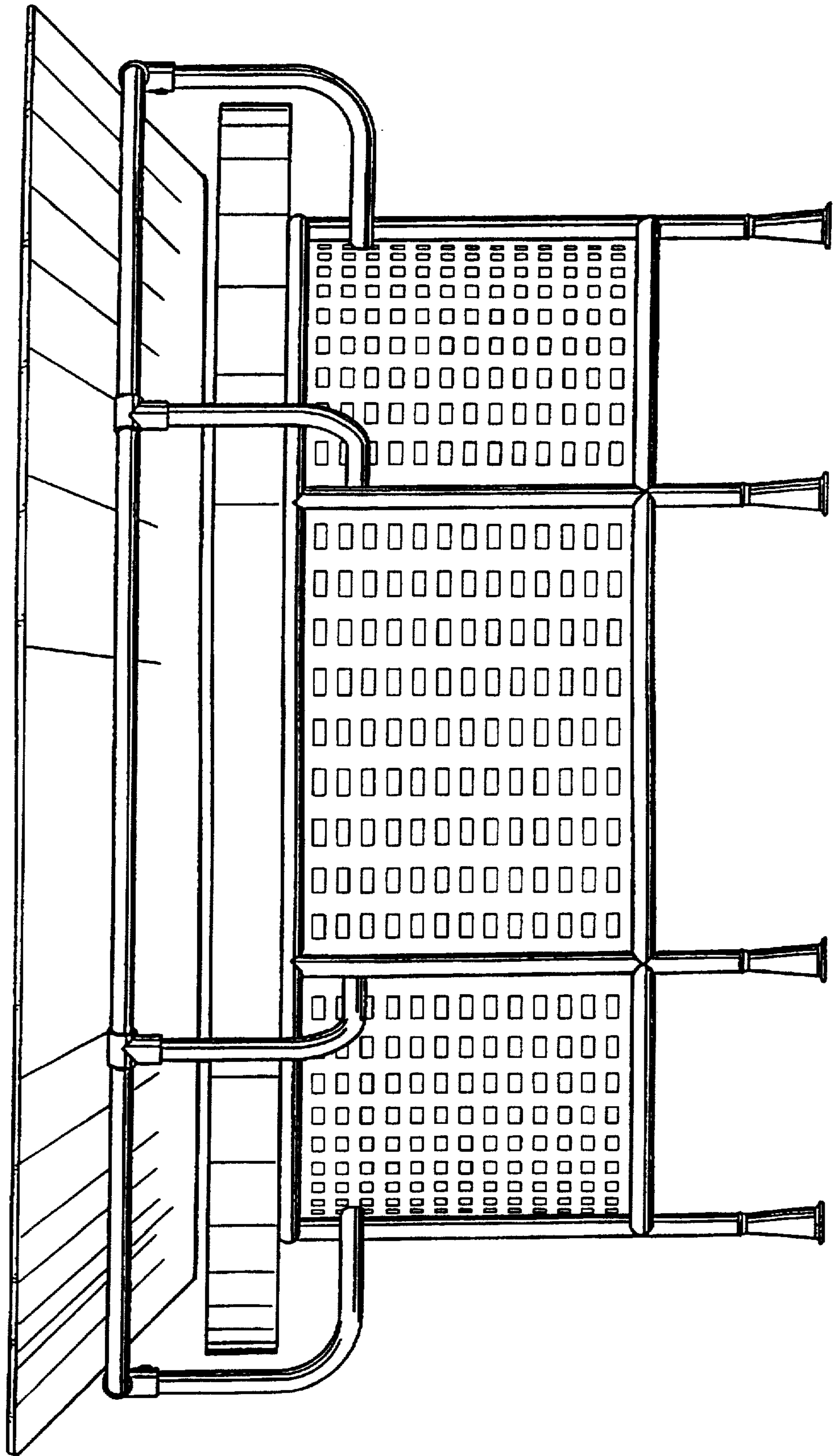


FIG. 8

